



JPW MARINE

AUSTRALIA'S LEADING BOATING AND MARINE WHOLESALER



TRADE CATALOGUE
VOLUME 11

www.jpwmarine.com.au



JPW MARINE

AUSTRALIA'S LEADING BOATING AND MARINE WHOLESALER



JPW Marine is a national and international importer/wholesaler of all things marine and boating.

Based in Western Australia, the product range is predominantly focused around the recreational power and ski boat market. We hold strong alliances with local retail and OEM businesses throughout Australia. We also stock products which could be used in cross industries that require the high durability and quality the marine industry provides.

We invest heavily in stock to ensure availability and fast delivery, and continually source the most up-to-date products from around the world and make them available to the Australian market. JPW Marine is a strong supporter of the local and national marine and boating industry. As members of the BIA (Boating Industry of Australia), we continue to encourage the local and national industry's growth.

TRADE ONLY SUPPLIERS. Products from the catalogue are available from leading marine retail outlets throughout Western Australia.

Address: 64 Division Street, Welshpool WA 6106

Postal: PO Box 261, Welshpool WA 6986

Ph: (08) 6253 3000

Fax: (08) 6253 3090

Email: sales@jpwmarine.com.au

www.jpwmarine.com.au



TERMS AND CONDITIONS OF SALE

1. RESERVATION OF TITLE

Refer to 'Terms on Application for Credit Facility'.

Note: The changes in government legislation to the PPSA Act 2009.

All customers on 30-day credit facility are obliged to be aware that JPW Marine has the right to register their business under this legislation.

2. DELIVERY AND INSURANCE

All delivery costs are at PURCHASER'S EXPENSE. We do not insure so all goods are at the purchasers risk from time of leaving our warehouse.

3. CUSTOMER ORDERS

1. Once we receive your order you will sent an order confirmation by email.
2. A copy of the final invoice will be emailed as soon as your order is ready for dispatch.
3. Orders will be sent with delivery note unless other arrangements are made.

4. BACK ORDERS

1. Back orders will be noted on delivery note and invoice.
2. Good will be held for dispatch with the next order or sent per customer's instructions.
3. It is the customer's responsibility for costs of freight on all orders including back orders.

5. RETURNS / CLAIMS

Claims for short deliveries or goods received in a defective condition must be made within 7 days of receipt of goods. Goods returned to us must be adequately packed, dispatched at the expense and risk of the sender to our warehouse for approval and must be accompanied by details of invoice number and date on which such goods were charged. A handling charge of 15% will apply to all returns except valid warranty returns and goods supplied by us in error. GOODS SUPPLIED ON INDENT OR NON STOCK LINES SUPPLIED TO SPECIAL ORDER CANNOT BE CREDITED UNDER ANY CIRCUMSTANCES.

6. COPYRIGHT

No part of this catalogue may be reproduced in whole or in part without the written permission of JPW (Aust) Pty Ltd . Copyright 2014 JPW (Aust) Pty Ltd . ABN 56260271442

7. GENERAL NOTICE

Due to the ever changing marine industry, product sizes and specifications may change from time to time, and/ or upgraded models or new products may be released to replace old models. We have endeavoured to produce the most up to date information in this catalogue on item current at the time of printing. We accept no liability for any product changes in size or specification that may occur during the life of this catalogue. Possession of this catalogue does not guarantee the right of supply of goods. Full 'Terms and Conditions' for customers with approved credit facility is available from our office.

JPW CATALOGUE Volume 11
SECTION GUIDE



SECTION	PAGE
01 ANCHOR, MOORING , DOCKING & FENDERING	11 - 22
02 ANCHOR WINCHES & ACCESSORIES	23 - 40
03 ROPE	41 - 46
04 HULL, DECK, CABIN HARDWARE & COVERS	47 - 82
05 HATCHES & PORTLIGHTS	83 - 92
06 ANODES	93 - 108
07 SEATS, TABLES & ACCESSORIES	109 - 126
08 OUTBOARD, FUEL FITTINGS, TANKS & ACCESSORIES	127 - 142
09 RIGGING & HARDWARE	143 - 152
10 TRAILER PARTS & ACCESSORIES	153 - 178
11 SAFETY EQUIPMENT	179 - 190
12 LIGHTING, CABIN & NAVIGATION	191 - 212
13 ELECTRICAL	213 - 244
14 PLUMBING	245 - 252
15 FISHING ACCESSORIES	253 - 258
16 STEERING WHEELS	259 - 262
17 MECHANICAL STEERING	263 - 272
18 HYDRAULIC STEERING	273 - 292
19 ENGINE CONTROLS	293 - 306
20 TRIM TABS & HATCH LIFTERS	307 - 318
21 THRUSTERS	319 - 324
22 MAINTENANCE & OILS	325 - 348
23 PADDLES, OARS & WATER SKI EQUIPMENT	349 - 353



JPW CATALOGUE Volume 11

INDEX

Numbers

2-Stroke Engine Oil	328
4-Stroke Engine Oil	328
3M Products	337–340
-3M Adhesive	340
-3M Boat Wash	338
-3M Boat Wax	338
-3M Buffing Pad	338
-3M Clean & Shine	339
-3M Compounds	338–339
-3M Cut Polish & Wax	338
-3M Finesse-It II Glaze	339
-3M Gelcoat Compound	339
-3M Masking Tape	337
-3M Oil Absorbent	340
-3M Paste Wax	338
-3M Safety-Walk Tread	340
-3M Stainless Steel Cleaner	340
-3M Vinyl Cleaner	340
-3M Scotchgard Liquid Wax	339

A

Access Hatches	91
Accessory Power Sockets	226
Acetone	334
Actuators - Trim Tab	314
Adaptors Trailer Plugs	157
Adhesive Sealant	340–341
Air Horn	185
Aluminium Cleaner	334, 342
Aluminium Oars	351
Aluminium Polish	342
Anchor Lights	208–209
Anchor Rollers	40
Anchor Rope & Chain Kits	38
Anchor Ropes	17, 42–43
Anchors	

-Anchor Chain	15
-Anchor Ropes	17
-Anchor Shackles	16
-Anchor Swivels	15
-Claw Anchor	14
-Grapnel Anchor	14

-Plough Anchor	13
-Reef Anchor	14
-Rocna Anchor	12
-Sand Anchor	13
-Sand Anchor Kits	12
-Sea Anchors	14
-Vulcan Anchor	13
Anchor Safety Strap	37
Anchor Swivels	148
Anchor Wells	257
Anchor Winch Accessories	32–38
Anchor Winches	24–40
Anderson Plugs	237
Anodes	94–108
-Aluminium Engine Anodes	99–108
-Bertram Anode	96
-General Purpose Anode	98
-Hull Anodes	94–96
-Otter Board Anode	97
-Propeller Nut	100
-Rod Anodes	98
-Rudder Anodes	97
-Shaft Anodes	97
-Teardrop Anodes	94
-Thruster Anode	323
-Trim Tab Anode	97
-Zinc Anodes	94–98

Antenna Bases	71
Antennas	189
Anti-Fouling Stripper	332
Anti-Seize Lubricant	331
Anti Slip Tape	186, 340
Aquapac Fasteners	144–145
Auxiliary Outboard Motor Bracket	141
Axis Bait Boards	255

B

Bag Safety Gear	185
Bailing Scoops	187
Bait Boards	254–256
Bait Box	257
Bait Pump Bracket	61
Barrel Bolts	64

Battery Boxes	241–242
Battery Cable Lugs	236
Battery Chargers	214–217
Battery Connectors	237, 240
Battery & Starter Cables	239
Battery Switches	220–221
Battery Terminals	240
Battery Trays	241
Bearing Protectors	173
Bearings - Trailer	173
Below Deck Tanks	134
Bel-Ray Oil Products	328–330
-Belray Cross Reference Guide	326
Bennett Marine Trim Tabs	308–318
-Accessory & Spare Parts	312–318
-Electric Trim Tab	308–309
-Hydraulic Trim Tabs	310–311
Bezels - Mechanical Steering	269
Bilge Blower	227
Bilge Cleaner	332, 337, 344
Bilge Hose	248–249
Biminis	76
Binoculars	187
Bird Scare - StopGull	74
Blade Fuses	228
Blower Vents	64
Bluefin	
-Underwater Lights	212
Boat Buoyancy Foam	187
Boat Covers	77–79
Boat Fenders	18
Boat Gunwale	20–22
Boat Hooks	19
Boat Kill Switch Lanyard	186
Boat Numbers & Letters	73
Boat Putty Filler	335
Boat Seats	110–119
Boat Tie Downs	170–171
Boat Wash	332, 336, 338, 344
Boat Wash & Wax	336, 344
Body Filler	335
Body Liquid Soap	333
Boiler - Water Heater	246

- Bollards..... 49
 BOLT Electric Trim Tabs 308
 Bomar Products..... 83–91
 -Commercial Hatches90
 -Deck Hatches84-87
 -Portlights.....88-89
 -Seabreeze Shade / Screen..... 87
 Bow Chock 50
 Bow Rollers40, 48–49, 174
 Bow Shackles 16, 147
 Bow & Stern Thrusters 320–322
 Bow Wedges 176
 Boxes - Storage..... 65
 Brackets - Trailer 177
 Breather - Fuel..... 51
 Bucket..... 187
 Bulb LED Replacement211
 Bulkhead Hose Kits 291
 Bungs
 -Cast Aluminium Bungs..... 53
 -Expansion Bungs.....56
 -Plastic Bungs.....56–57
 -Rubber Bungs..... 55
 Buoyancy Foam..... 187
 Buoys - Fender 18
 Burley Buckets..... 256
 Buttons Canopy 67
- C**
- Cabin Handle..... 64
 Cabin Hinges..... 63
 Cabin Lights..... 192–196
 Cabin Rail Fittings 70
 Cabin Table..... 125
 Cable Clips 237
 Cable Connectors..... 232
 Cable Crimping Tool 234
 Cable Cutting Tool 234
 Cable Gland..... 236
 Cable Lugs 236
 Cable Outlets..... 36
 Cables - Electrical..... 239–240
 Cables - Engine Controls..... 294
 Cables - Mechanical Steering..... 265
 Cable Steering - Clamp Block 270
 Cable Steering Helms..... 267–268
 Cable Supports - Steering 270
 Cable Tension Spring 271
 Cable Ties 237
 Cable Wrap..... 237
- Canopy Buttons 67
 Canopy Fittings..... 68–69
 Canopy Hook..... 67
 Canopy Loops 67
 Canopy Thumb Screws 68
 Canvas Cleaner..... 346
 Capstan - Windlass 31
 Carpet Cleaner 342
 Catalyst..... 335
 Catches & Latches 62
 Chain 15
 Chain Counters..... 33
 Chain Socks 40
 Chain Stopper..... 37
 Chain Swivels..... 15
 Chair - Boat Seats 110–119
 Chargers Battery 214
 Chrome & Stainless Polish 344
 Cigarette Power Sockets 227
 Circuit Breaker - Quick Windlass.... 36
 Circuit Breakers229, 230
 Citrus Boat Wash..... 344
 Clamps - Cable..... 237
 Clamps Hose 250
 Claw Anchor 14
 Cleaner Degreaser342, 345
 Cleaner General 342, 345
 Cleaner Hull..... 332, 337, 345
 Cleaner Toilet..... 333
 Cleaner & Waxes..... 336, 338, 343
 Cleaning Solvent 334
 Clear Hose..... 248
 Clears Plastic Treatment 343
 Cleats 50–51
 -Cleats Aluminium..... 51
 -Cleats Stainless Steel.....50
 Clevis - Steering 271
 Clips Cable 237
 Clips Pipe 237
 Clips Shock Cord..... 67
 Clips Tube..... 68
 Commercial Hatches 90
 Connectors - Deutsch Plugs 235
 Connectors Electrical Terminals
 232–233
 Contact Adhesive..... 337
 Control Cable Connection Kits
 300–301
 Control Cables..... 294–295
 Controls Engine 296–299
- Copper Swages 146
 Corrugated Split Tubing..... 238
 Courtesy Lights..... 198–200
 Covers - Boat..... 77–79
 Covers - Outboard 80–81
 Crimping Tools..... 234–235
 Cross Bollard 49
 Cuffed Bilge Hose..... 248
 Cupboard Catch 62
 Cup Holder 66
 Cutter - Wire 146
 Cutting Compound..... 336, 338–339,
 343–344
 Cylinder - Hydraulic 284
- D**
- Deck Brush..... 334
 Deck Caulking 341
 Deck Cleaner..... 345
 Deck Fillers..... 52
 Deck Hatches 84–87
 Deck Lights..... 202–204
 Deck Mounts..... 69
 Deck Plates 53
 Deck Switches 37
 Degreaser..... 342, 345
 Digital Chain Counters..... 33
 Dinghy Line..... 44
 Dipstick Transfer Pump 140
 Dock Cleats 51
 Dock Fenders 18–19, 22
 Dock Lines 17, 43
 Dog Vest..... 184
 Dolphin Battery Chargers 214–217
 Door Catch 62
 Door Hinge 63
 Drain Plug - Aluminium..... 53
 Drain Plugs - Plastic 56
 Drain Plugs - Waste..... 252
 Drain Well 57
 D Rings..... 151
 Drink Holders..... 66
 Drinking Hose 248
 Drum Winch..... 39
 D Section Fenders..... 22
 D Shackles 16, 147
- E**
- Electrical Accessories..... 214–244
 Electrical Cable..... 239–240

Electrical Cable Ties 237
 Electrical Cable Wrap 237
 Electrical Circuit Breakers 229–230
 Electrical Fuses 228
 Electrical Junction Box 235
 Electrical Plug & Socket 226, 236
 Electrical Switches..... 222–225
 Electrical Tape 238
 Electrical Terminals..... 232–233
 Electrical Trailer Connectors..... 157
 Electrical Watertight Conn. 34, 236
 Electric Horn 227
 Electric Trailer Winch..... 160–169
 Electric Trim Tab Kits 308–309
 Electronic Control System
 - Power A Mark II 302–306
 Emergency Cut Off Lanyard 186
 Emergency Navigation Lights..... 207
 Engine Anodes 98–108
 Engine & Bilge Cleaner 332, 337
 Engine Control Cables..... 294–295
 Engine Control - Electronic..... 302
 Engine Controls 296–299
 Engine Flushers..... 139
 Engine Oil 328–329
 Epirb 188
 Equipment Bag 185
 EVA Dock Fenders 19
 Exhaust Hose 249
 Extinguisher Fire..... 186
 Eye Bolts 150
 Eye Plates 151
 Ezi Guide Boat Loader 173

F

Fabric Cleaner 346
 Fairleads..... 49–50
 Fasteners..... 144–145
 Fender Baskets 18
 Fender Lanyards 17, 43
 Fenders
 -Boat Fenders 18
 -Buoys..... 18
 -D Fender..... 22
 -Dock Edge 18
 -D Section 22
 -EVA Dock Fenders..... 19
 -Flat Fenders..... 17
 -P Section 22
 -PVC 'BUMP' Trim 22

Fiberglass Colour Restorer..... 343
 Fibreglass Compound 336, 339
 Fibreglass Filler 335
 Fibreglass Polish 336, 338, 343
 Fibreglass Repair Kit..... 335
 Fibreglass Resin..... 335
 Fibreglass Restorer & Wax..... 336
 Fibreglass Stain Remover 342, 345
 Fids Splicing 45
 Filler - Deck 52
 Filters - Fuel, Water, Waste ect. 138
 Fire Extinguisher..... 186
 Fishing Accessories..... 253–258
 Fishing Rod Holder..... 58–60
 Fish Oil 335
 Fish Storage Box..... 257
 Flag Pole Holder..... 71
 Flares..... 185
 Flo 'n' Go Fuel Siphon 129
 Fluid Extractor 140
 Fluid Link Valve - Hydraulic 292
 Fluid Transfer Pump 140
 Flushers - Motor 139
 Flush Ring-Pull 61
 Foot Switches 37
 Four Stroke Oil 328
 Fuel Additive..... 331
 Fuel Breather..... 51
 Fuel Containers 128
 Fuel Fillers 52
 Fuel Filters..... 138–139
 Fuel Fittings..... 136–138
 Fuel Gauge..... 132, 242
 Fuel Hose 135, 249
 Fuel Lines 135
 Fuel Primer Bulbs..... 135
 Fuel Sender 132
 Fuel Siphon 129
 Fuel Stabiliser..... 331
 Fuel Tank Fittings 136–138
 Fuel Tanks 130–134
 -Above Deck Tanks 130
 -Below Deck Tanks 134
 -Stainless Steel Tanks..... 133
 Fuse Box 231
 Fuse Holders 228, 231
 Fuse Panel 231
 Fuses..... 228

G

Gauges 132, 242–243
 Gear Oil 329
 Gelcoat Cleaner..... 337, 343
 Gelcoat Repair Filler..... 336
 Glass Cleaner..... 333
 Glass Fuses..... 228
 Glove Box 66
 GME Products 188–189
 Gotech - Hydraulic Steering Kit 276
 Grammer Seats
 -AVENTO Flip-Up..... 110
 -AVENTO Premium..... 110
 -AVENTO Pro Air 111
 -AVENTO Pro M..... 111
 Grapnel Anchor..... 14
 Grapnel - Throw..... 14
 Grease Lubricant 330
 Grommets & Trim Rings 272
 Gunwale
 -Aluminium Gunwale..... 20
 -PVC Gunwale 21
 -Stainless Steel Gunwale..... 21
 Gunwale Caps 20
 Gypsies - Anchor Winch 38

H

Hair Pins 177
 Handheld Remote Controls -
 Bow & Stern Thruster..... 324
 Windlass 33–35
 Handheld Spotlight 203
 Handles 64
 Hand Rails 64
 Hardener..... 335
 Harness Tape 238
 Hasp & Staple..... 62
 Hatch Access..... 91
 Hatches Deck 84–92
 Hatch Hinges 63, 91
 Hatch Latch 62
 Hatch Lift Systems..... 315
 Hawse Pipe 40, 50
 Heat Gun - Heatshrink 234
 Heatshrink Tubing..... 238
 Hella Marine Lights
 -Anchor Lights..... 209
 -Courtesy Lights..... 199
 -Downlights 192
 -EuroLED Lights..... 194
 -Navigation Lights 210

-Sea Hawk Range.....204
 -Strip Lights..... 197
 Helms - Hydraulic Steering..... 287
 Helms - Mechanical Steering.....
 267, 268, 269
 Hinges 63
 Hooks - Boat..... 19
 Hooks Canopy 67
 Hooks 'S' 150
 Hooks Ski 353
 Hooks Snap 149
 Horn - Air 185
 Horn Cleat 51
 Horn - Electric..... 227
 Horseshoe Lifebuoy..... 186
 Hose 248–249
 -Bilge Hose 248
 -Clear Multi-Purpose Hose.....248
 -Drinking Hose248
 -Exhaust Hose 249
 -Fuel Hose 249
 -Hydraulic Steering Hose 289
 -Hydraulic Trim Tab Hose..... 316
 -Sanitation Hose 248
 Hose Barbs Fuel..... 138
 Hose Clamps..... 250
 Hose Coils 249
 Hose Connectors - Hydraulic..... 292
 Hose Tails - Plumbing..... 251
 Hot Knife..... 44
 Hot Water Heater..... 246
 Hull Cleaner..... 332, 337, 345
 Hydraulic Hatch Lifting System..... 315
 Hydraulic Oil 292
 Hydraulic Steering 274–292
 -Bulkhead Fittings 291
 -Cylinders.....284–285
 -Helms Pumps 287
 -Hose Connectors.....292
 -Hose Kits - Hydraulic 289
 -Hydraulic Oil 292
 -Hydraulic Steering Kits 276–280
 -Masterdrive Kits 281–282
 -Masterdrive Power Assist Kit 281
 -Gotech 115HP Kit 276
 -HYCO 150HP Kit 277
 -NAUTECH-1 300HP Kit 278
 -SilverSteer 350HP Kit 280
 -Tie Bars 290
 Hydraulic Trim Tabs 310–311

I

Ignition Switch 219
 Inflatable Boat Cleaner 345–346
 Inflatable Lifejackets 183–184
 -Spare Parts Jackets..... 185
 In-Line Bilge Blower..... 227
 Inox Lubricant..... 332
 Inspection Ports..... 54–55
 Insulation Tape 238

J

Jackets
 -Coastal Jackets 181
 -Dog Vests 184
 -Foam Jackets 181–182
 -Inflatable Jackets 183–184
 -Kayak Jackets..... 182
 -Ski Vests 182
 -Spare Parts..... 180
 -Waist Belt Jacket 183
 Jaw Swivel Shackle 16
 Jerry Cans 128
 Jockey Wheel 172
 Jockey Wheel U Bolts..... 177
 Junction Box 235

K

Kayak Trolley..... 350
 Kayak Paddle 350
 Keel Rollers 175
 Kill Switch Lanyard 186
 Kleen-A-Hull 332

L

Ladder
 -Dive Ladder 73
 -Folding Ladder..... 72
 -Removable Ladder 72
 -Telescopic Ladder..... 73
 -Under Platform Ladder 73
 Lanolin Grease 331
 Lanyards - Rope..... 17
 Latches 62
 Lenco-to-BOLT Conversion Kit..... 309
 Letters & Numbers..... 73
 Licence Plate Light 155
 Lifebuoy 186
 Lifebuoy Holders..... 186
 Lifejackets..... 181–184
 -Dog Flotation 184

-Foam Jackets 181–182
 -Inflatable Jacket..... 183–184
 -Lifejacket Light..... 185
 -Lifejacket Spare Parts..... 180, 185
 Lift Rings..... 61
 Lights
 -Anchor Lights..... 208–209, 211
 -Courtesy Lights..... 198–200
 -Handheld Lights..... 203
 -LED Bar Lights..... 203, 205
 -LED Floodlights 204
 -LED Search Light..... 205
 -LED Spot Lights..... 203
 -LED Strip Lights..... 196–197
 -Livebait Light..... 207
 -Navigation Lights 205–210
 -Portable Navigation 207
 -Port & Starboard..... 205–207
 -Reading Lights..... 201
 -Replacement Bulb 211
 -Touch Sensitive..... 194–196
 -Underwater Lights..... 212
 -Work Lights..... 202–204
 Lock - Outboard Motor..... 140
 Lock - Trailer..... 173
 Louvre Vents..... 64–65
 Lubricant Inox 332
 Lubricants 330–331
 Lubricant Silicone 330

M

MACH Control Cables 294
 Magnetic Circuit Breaker 36
 Marine Clean & Wax.....
 336, 339, 343, 344
 Marine Epirb 188
 Marine Grease..... 330–331
 Marine Lubricant..... 330
 Marine Polish..... 336, 338–339, 343
 Marine Radio 188
 Marine Speakers 189
 Marine Wash 332, 336, 338, 344
 Marker Buoys 18
 Masking Tape 337
 Masterdrive Power Assisted Steering
 -Masterdrive Accessories..... 283
 -Masterdrive Kits 281–282
 Mechanical Steering 264–272
 Mildew Stain Remover..... 347
 Mirror Rear Vision..... 353

Mooring Cleats 50–51
 Mooring Lines 42
 Mooring Springers 17
 Motor Flushers 139–140
 Motor Lock 140
 Motor Starter Cord 44
 Motor Support Brackets 141
 Motor Trolley 177
 Multiflex Steering Wheels 261
 Multi-Purpose Hose 248
 Multi-Purpose Lubricant 330

N

Navigation Lights 205–210
 NGK Spark Plugs 142
 NIBO Deck Hatches 84–86
 Non Return Valves 250–251
 Non Skid Deck Cleaner 345
 Non Slip Tread Tape 186, 340
 Number Plate Lights 155
 Numbers & Rego Labels 73
 Nylon Rope 42

O

Oars 351
 Oar Stops 351
 Oceansouth Products 77–81
 -Boat Covers 77-79
 -Outboard Covers 80-81
 -T Tops 77
 Oil Absorbent Pads 340
 Oil Engine 328–329
 Oil Extractor 140
 Oil Hydraulic 292
 Olive Clips 67
 One-way Valve 251
 Outboard Covers 80-81
 Outboard Flushers 139–140
 Outboard Fuel Lines 135
 Outboard Motor Bracket 141–142
 Outboard Motor Lock 140
 Outboard Motor Trolley 140, 177
 Outboard Motor Wedges 140
 Outboard Starter Cord 44
 Outboard Steering
 -Hydraulic 276–280
 -Mechanical 265–267
 Outboard Tiller Extensions 141

P

Paddles 350–351

Pad Eye 64, 152
 P Clips 237
 Pealess Whistle 185
 Pedestals 120–122
 -Foot Rest 121
 -Plug-In Pedestal 121
 -Seat Pedestals 120–121
 -Seat Swivels 122
 -Table Pedestal 125
 Penetrol 332
 Peter G's Products 332–333
 Petrol Filler 52
 Petrol Tanks 130–132
 PFD's 181–184
 Pickup - Water 251
 Plastic Bungs 56–57
 Plastic Cleaner 343
 Plastic Jerry Cans & Tanks ... 128–132
 Plastic Polish 347
 Plough Anchor 13
 Plugs - Sink Drain 252
 Plumbing Accessories 248–252
 Polishes 336, 338–339, 343
 Polyester Fibreglass Filler 335
 Polyester Rope 43
 Pontoon Fenders 22
 Portable Fuel Storage 129
 Portable Fuel Tanks 130–131
 Portlights 88–89
 Power Assist Steering Kits ... 281–282
 Power Plug & Socket 226–227
 Powerwinch 160–169
 -712 Powerwinch 160
 -912 Powerwinch 162
 -915 Powerwinch 164
 -RC23 Powerwinch 166
 -RC30 Powerwinch 168
 Primer Bulbs 135
 P Section Fenders 22
 Pull Rings 61
 Pump - Manual Fluid Transfer 140
 PVC Coated Cable Steering 271
 PVC Fenders 18

Q

Quick Bow Thrusters 320–324
 Quick Lighting
 -Courtesy Lights 199
 -Downlights 193
 -Reading Lights 201–202

Quick Windlass 24–31
 -Chain Counters Windlass 33
 -Control Switch 36
 -DAVE Windlass 30
 -DP2E Windlass 27
 -DP2 Windlass 26
 -DP3 Windlass 28
 -DYLAN Windlass 29
 -Foot Switches Windlass 37
 -GP2 Windlass 24
 -Hand Held Remote 34
 -Hector Windlass 25
 -Radio Remote Controls 35
 -Totem Capstan Windlass 31

R

Radio's - Marine 188
 Rail Fittings 70–71
 RAIN-X 334
 Ratchet Tie Downs 171
 R-Clips 177
 Reading Lights 201
 Rear Vision Ski Mirror 353
 Reef Anchor 14
 Reef Runner Bait Boards 255–256
 Reflectors - Trailer 156
 Rego Numbers 73
 Relay Switch 221
 Rib Boat Cleaner 346
 Rigging Hardware 146–152
 Ring-Pull 61
 Rivets 145
 Rocker Switches 223–226
 Rocna Anchor 12
 Rod Holders
 -Aluminium 58
 -Plastic 60
 -PVC Insert 59
 -Rail Mount 58
 -Stainless Steel 58–59
 -Weld-On 58
 Rod Holder Inserts 57
 Rod Racks 59
 Rod Rocket Launcher 76
 Roller Brackets 177
 Roller Pins 177
 Rollers - Bow 49, 174
 Rollers - Trailer 174–176
 Rope 42–46
 -Anchor & Mooring 17, 42–43

- Floats 353
 - Nylon Rope 42
 - Polyester Rope 43
 - Rope/Chain Kits 38, 40
 - Silver Rope 42
 - Spectra Rope 45
 - Yachting Rope 45
 - Rope Knife 44
 - Rope Thimbles 15
 - Rotary Style Battery Switch 221
 - Rowlocks 352
 - Rubber Straps 171
 - Rubbing Compound 339, 343, 344
 - Rub Rail Trim 21
 - Rudder Support 270
 - Rust Converter 346
 - Rust Preventative 329
 - Rust Stain Remover 345
- S**
- Sacrificial Anodes 94–108
 - Saddle
 - Nylon Saddles 67
 - Stainless Steel Saddles 64
 - Saddle Straps 151
 - Safety Equipment 180–190
 - Safety Gear Bag 185
 - Safety Slip Tape 186, 340
 - Safety Whistle 185
 - Sand Anchor 13
 - Sanitation Hose 248
 - Scoops - Bailing 187
 - Scuff Off 333
 - Scupper 55
 - Sea Anchors 14
 - Seabreeze Shade / Screen 87
 - Sea Gull Deterrent - StopGull 74–75
 - Searchlights 205
 - Seats & Accessories 110–111
 - Seat Pedestals 120–122
 - Seats Boat 110–119
 - Seat Swivels 122–124
 - Senders 243–244
 - Rudder Angle Sender 243
 - Tank Level Sender 132, 244
 - Waste Level Sender 243
 - Separating Hinge 63
 - Septone Products 335–337
 - Acetone 334
 - Ali Brite 334
 - Aluminium Cleaner 337
 - Bilge & Engine Cleaner 337
 - Boat Wash 336
 - Contact Adhesive 337
 - Cut n Polish 336
 - Eazefill Putty 335
 - Fibreglass Polish & Wax 336
 - FibreTough Glass Fibre Filler 335
 - Fibreglass Repair Kit 335
 - Fish Oil 335
 - Gelcoat Repair 336
 - Hull Cleaner 337
 - MEKP Catalyst 335
 - Polyester Resin 335
 - Rain-X 334
 - Stainless Steel Polish 337
 - Shackles 16, 147
 - Shade Screens Deck Hatch 84
 - Shaft Anodes 97
 - Shampoo & Conditioner 333
 - Shock Cord 44
 - Shock Cord Clips 67
 - Shock Cord Hooks 152
 - Shock Cord Loops 67
 - S Hook 150
 - Side Markers 156
 - Sikaflex Products 341
 - Silicone Sealant 340, 341
 - Silver Rope 42
 - Sink Plugs 252
 - Sinks 252
 - Siphon - Fuel 129
 - Skid Strips - Trailer 176
 - Ski Floats 353
 - Ski Mirror 353
 - Skin Fittings 251
 - Ski Rope 353
 - Ski Tow Ring 353
 - Ski Vests 182
 - Slam Latch 62
 - Slip Tread Tape 186, 340
 - Slop Stopper 57
 - Snap Hooks 149
 - Snap Shackles 149
 - Soap - Shower 333
 - Sockets & Plugs - Electrical 226
 - Sockets & Plugs - Trailer 157
 - SOLAS Lifebuoy 186
 - Solder Splice Terminals 233
 - Solenoids 36, 229
 - Spark Plugs 142
 - Speakers - Marine 189
 - Spiral Wrap 237
 - Splicing Fids 45
 - Split Pin Bollard 49
 - Split Pins 145
 - Split Sleeve Tubing 238
 - Spotlights 203–205
 - Sta-Bil 331
 - Stainless Steel Cleaner 333, 340
 - Stainless Steel Polish 337, 344
 - Stain Remover 337, 342, 345, 347
 - Stand-Up Paddle 350
 - Starbrite Products 342–348
 - Starter Cord 44
 - Stayput Fasteners 68
 - Steering Cable PVC Coated 271
 - Steering - Hydraulic 274–292
 - Cross Reference Guide 274
 - Cylinder Ordering Guide 286
 - Cylinder Seal Kits 292
 - Hydraulic Cylinders 284–285
 - Hydraulic Helm Pumps 287
 - Hydraulic Steering Kits 276–280
 - Masterdrive Power Assist 281
 - Steering Mechanical 264–272
 - Mechanical Boxed Kits 265–267
 - Mechanical Steer Acc. 269–271
 - Mechanical Steer Helms 267–269
 - Mechanical Steering Tie Bars 271
 - Steering Cable 265
 - Steering Grommets 272
 - Steering Wheels 260–262
 - Steering Pulley 271
 - Steering Wheel Knobs 262
 - Steps 72
 - Stern Thrusters 320–322
 - Sticky Off 333
 - StopGull Products 74–75
 - Storage Cases 65
 - Streak Remover 346
 - Surface Cleaner/Degreaser 342
 - Swages 146
 - Swage Tools 146
 - Switches 222–225
 - Switches - Battery 220
 - Switch Panels 218–219
 - Switch - Toggle 222
 - Swivel Hooks 149
 - Swivels - S/S 148

T

Table Pedestal 125
 Table Tops 125
 Tank Senders 132, 244
 Tanks Fuel 130–134
 Tank Treatment 333
 Tape - Insulation 238
 Tape - Masking 337
 Tape - Tread Tape 186, 340
 Teak Cleaner Brightener 332, 348
 Teak Oil 348
 Teak Oil Sealer 348
 Tef-Gel 330
 Tension Spring Cable 271
 Terminals - Battery 240
 Terminals & Connectors 232–233
 Thimbles 15, 152
 Thread Lubricant 331
 Thrusters 320–324
 -BTQ Thruster Kits 320
 -Cable Extensions 323
 -Fuses 323
 -Handheld Controls 324
 -Replacement Thruster Props 323
 -Thruster Anode 323
 -Thruster Helm Controllers 323
 -Tunnels Bow & Stern 322
 Thumb Screws 68
 Tie Bars - Steering 271, 290
 Tie Downs 170–171, 352
 Tiller Extensions 141
 Tinnie Storage Bin 257
 Toggle Switch 222
 Toilet Chemicals 333
 Torch 185, 203
 Tow Balls 173
 Trailer Adaptors 157
 Trailer Boat Loader 173
 Trailer Boat Rollers 174–176
 Trailer Coupling Lock 173
 Trailer Hooks 150
 Trailer Jockey Wheel 172
 Trailer Light Board 156
 Trailer Lights 154–156
 Trailer Lock 173
 Trailer Plank 176
 Trailer Plugs 157
 Trailer Roller Brackets 177
 Trailer Roller Pins 177
 Trailer Side Markers 156

Trailer Strip 176
 Trailer Tow Balls 173
 Trailer Wheel Bearing 173
 Trailer Winch - Electric 160–169
 -712 Powerwinch 160
 -912 Powerwinch 162
 -915 Powerwinch 164
 -RC23 Powerwinch 166
 -RC30 Powerwinch 168
 Trailer Winch - Manual 158
 Trailer Winch Rope 159
 Trailer Winch Straps 159
 Transducer Brackets 61
 Tread Tape 340
 Trim Ring 57
 Trim Tabs 308–318
 -Actuators & Trim Planes 314
 -Conversion Kits 309
 -Electric Trim Tabs 308
 -Helm Control Switches 312–313
 -Hydraulic Trim Tabs 310
 -M80 / M120 Sports Tabs 310
 -Parts & Accessories 316
 -Self-Leveling Tabs 315
 Trolley - Motor 177
 T-Tops 77
 Tube Ends 69
 Tube Holder 68
 Tunnels - Thruster 322
 Turnbuckles 150
 Two Stroke Engine Oil 328

U

U Bolts 150
 U Bolts - Jockey Wheel 177
 Ultraflex Engine Controls 296–299
 -Power A Mark II 302–306
 Ultraflex - Hydraulic Steer 276–292
 -Cylinder Ordering Guide 286
 -Cylinder Seal Kits 292
 -Helms Pumps 287–288
 -Hydraulic Cylinders 284–285
 -Hydraulic Steering Kit 276–280
 -Masterdrive Steering 281–282
 Ultraflex Mechanical Steering 265–267
 Ultraflex Steering Wheels 260–262
 Underwater Lights 212
 USB Power Sockets 225, 227

V

Valve - One Way 251

VB Cord 44
 Vents 64–65
 Vinyl Cleaner 340, 342
 Vinyl Polish 346
 Viper Pro Bait Board 254
 Viper Pro Drum Winch 39
 Vulcan Anchor 13
 V-Wedges - Trailer 176

W

Waist Belt Jackets 183
 Washers 145
 Waste Filler 52
 Waste Senders 243
 Waste - Sink 252
 Water Gauge 242
 Water Heater 246
 Water Pickup 251
 Waterproof Connectors 235, 236
 Waterproof Grease 330
 Water Scoop 61
 Weatherproof Fuel Holders 231
 Webbing Hooks 67
 Webbing Saddle 67
 Well Drain 251
 Wheel Bearings 173
 Wheel - Jockey 172
 Wheels - Steering 260–262
 Whistle - Lifejacket 185
 Winch - Anchor 24–40
 Winch Cable 159
 Winch Electric - Trailer 160–169
 Winch Handle - Trailer 159
 Winch Manual - Trailer 158
 Winch Rope 159
 Winch Straps 159
 Wire - Electrical 239–240
 Wire Rope Cutters 146
 Wire Rope Grips 146
 Wobble Rollers 175–176
 Woolube Products 331

Y

Yachting Rope 45

Z

Zinc Anodes 94–98
 Zipper Lubricant 347
 Zip Ties 237

ANCHOR, MOORING, DOCKING & FENDERING 01

ANCHORS

Claw Anchors.....	14
Fixed Head Plow Anchors.....	13
Grapnel Folding Anchors.....	14
Reef Anchors.....	14
Rocna Anchors.....	12
Sand Anchor & Kits.....	12-13
Sea Anchors.....	14
Ski Boat Anchor Kits.....	14
Vulcan Anchor.....	13

ROPES & MOORING

Anchor Swivels.....	15
Boat Hooks.....	19
Galvanised Chains.....	15
Moorings & Anchor Ropes.....	17
Moorings Springers.....	17
Shackles.....	16
Thimbles.....	15

FENDERS & GUNWALES

Boat Fenders.....	17
Docking Fenders.....	18-19
Fender Baskets.....	18-19
Gunwales & Boat Trims.....	20-22
Pontoon Fenders.....	18-19



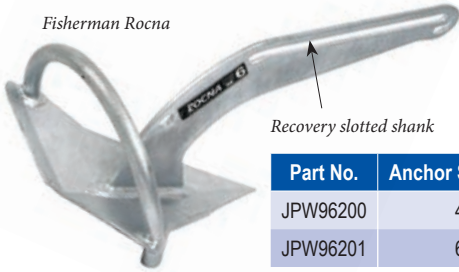
Rocna Fisherman Anchor - Rock & Reef Retrievable



Galvanised anchor for fishermen and divers on smaller boats that frequently re-anchor. It features a shackle rail for easier recovery of a fouled anchor.

- Easier retrieval in difficult conditions.
- For day trips rather than extended cruising.

Fisherman Rocna



Recovery slotted shank

Part No.	Anchor Size (kg)
JPW96200	4
JPW96201	6



Original Stainless Steel Rocna

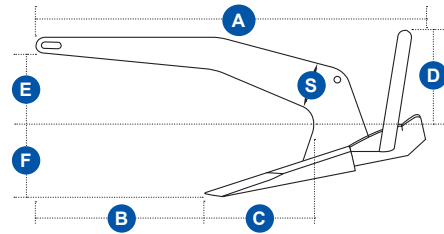


Original Galvanised Rocna

Rocna Original Anchor - Rock Solid Design

Best multi-purpose anchor with exceptional holding power, ease of use and setting ability in all types of seabeds - typically within one meter, even in thick weed!

- Extremely resistant to twisting and bending forces when the anchor is under load.
- Fits most bow rollers and suits vessels of all sizes.
- Stainless steel or galvanised sizes: 9lb-606lb (4kg-150kg).



There's a Rocna Anchor to fit any size boat. Contact us for special order sizes.

Part No.		Anchor Size		Suggested Boat Size (m)	Dimensions (mm)							
Galvanised	Stainless Steel	(lb)	(kg)		A	B	C	D	E	F	S	Width
JPW96204	JPW96218	9	4	4-6	547	234	154	133	96	103	75	275
JPW96205	JPW96219	13	6	5-8	630	270	170	150	102	123	80	315
JPW96206	JPW96220	22	10	7-11	724	312	204	174	130	133	90	365
JPW96207	JPW96221	33	15	8-12	830	360	235	205	145	156	100	415
JPW96208	JPW96222	44	20	9-14	864	373	244	220	162	158	110	435
JPW96209	JPW96223	55	25	10-16	971	420	275	233	175	184	115	485
JPW96210	JPW96224	73	33	11-20	1066	485	280	254	180	206	120	532
JPW96211	JPW96225	88	40	14-22	1142	520	300	278	188	224	130	570
JPW96212	JPW96226	121	55	16-26	1235	560	323	306	225	226	150	620
JPW96213	-	154	70	18-28	1338	607	354	330	240	250	155	670
JPW96214	-	243	110	20-28	1490	675	390	352	265	286	180	745
JPW96215	-	331	150	-	1725	779	449	416	318	317	203	867

Sand Anchor & Rope Kits

This complete sand anchoring kit includes:

- Hot dipped galvanised sand anchor
- 50m silver rope with stainless steel thimble spliced in one end.
- 3m galvanised chain
- Two galvanised 'bow' shackles



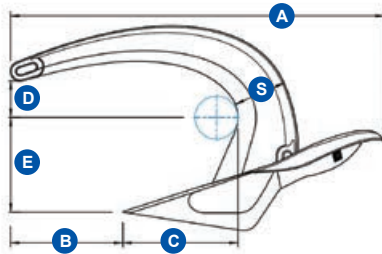
Comes packaged in retail display box

Part No.	Anchor Size		Rope Dia. (mm)	Chain Dia (mm)	Shackle Size (mm)	Suggested Boat Length (m)
	(lb)	(kg)				
JPW1001	4	1.8	6	6	6	3
JPW1002	6	2.7	6	6	6	4
JPW1003	8	3.6	8	8	8	5
JPW1004	10	4.5	10	8	10	6
JPW1005	13	5.9	10	8	10	7

Rocna Vulcan Anchor

The Vulcan anchor features a concave fluke to provide more holding power and security than competing designs that rely on simple dead weight.

- Self-rights on the seabed without the use of a roll-bar.
- Fits snug on the bows of small runabouts to larger launches; platforms, bowsprits, prods, stays, and other protrusions are easily cleared without hassle or inconvenience.
- Encourages self-launching / self-stowing.
- Lower 'V' edge cuts into the seabed for secure burial.
- Available in 10 sizes from 4 kg (9 lb) – 55 kg (121 lb).

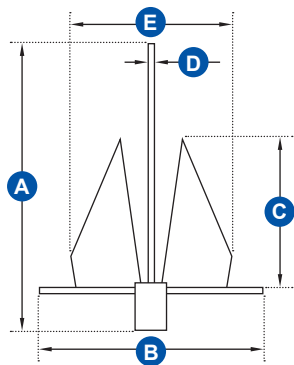


Part No.		Anchor Size		Suggested Boat Size (m)	Dimensions (mm)							
Galvanised	Stainless Steel	(lb)	(kg)		A	B	C	D	E	S	Width	
JPW96230	JPW96241	9	4	4-7	472	142	145	46	119	67	258	
JPW96231	JPW96242	13	6	5-9	541	163	167	53	136	77	296	
JPW96232	JPW96243	20	9	6-10	619	186	191	61	156	88	339	
JPW96233	JPW96244	27	12	7-12	681	205	210	67	172	97	373	
JPW96234	JPW96245	33	15	8-14	734	221	226	72	185	104	402	
JPW96235	JPW96246	44	20	9-16	808	243	249	79	204	115	442	
JPW96236	JPW96247	55	25	10-18	870	262	268	85	220	124	476	
JPW96237	JPW96248	73	33	12-22	955	287	294	93	241	136	522	
JPW96238	JPW96249	88	40	14-24	1018	306	313	100	257	145	557	
JPW96239	JPW96250	121	55	16-26	1132	340	349	111	286	161	619	

Sand Anchor (Danforth)

Very popular design for sand & mud bottoms. Lays flat for easy storage.

- Fitted with retrieval eye for ease of removal if snagged.
- Hot dipped galvanised finish.

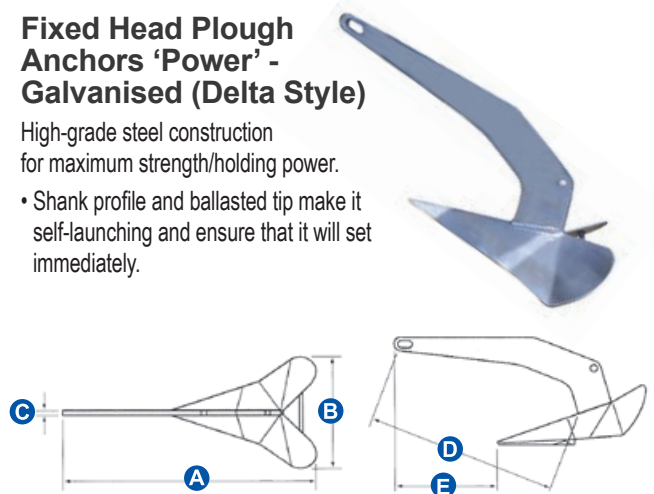


Part No.	Anchor Size		Dimensions (mm)					Suggested Boat Size (m)
	(lb)	(kg)	A	B	C	D	E	
JPW04	4	1.8	485	305	215	5	185	3
JPW05	6	2.7	500	330	240	7	260	4
JPW06	8	3.6	500	340	245	7	265	5
JPW07	10	4.5	520	340	265	8	265	6
JPW08	13	5.9	565	400	300	10	310	7
JPW25	16	7.3	595	430	320	10	320	8
JPW27	27	12.2	795	500	335	12	330	11
JPW28	35	15.9	890	565	380	12	365	13

Fixed Head Plough Anchors 'Power' - Galvanised (Delta Style)

High-grade steel construction for maximum strength/holding power.

- Shank profile and ballasted tip make it self-launching and ensure that it will set immediately.



Part No.	Anchor Size		Dimensions (mm)					Suggested Boat Size (m)
	(lb)	(kg)	A	B	C	D	E	
JPW96104	8.8	4	530	230	8	390	210	6-7
JPW96106	13.2	6	610	260	10	440	250	7-8
JPW96110	22	10	700	310	15	500	310	8-10
JPW96116	35.2	16	820	350	15	590	330	10-14
JPW96120	44	20	880	390	16	665	360	15-17
JPW96125	55	25	945	415	16	715	390	18-20
JPW96132	70	32	1025	455	20	775	425	19-21
JPW96140	80	40	1105	490	20	885	440	22-24
JPW96150	110	50	1175	525	20	890	480	24-26

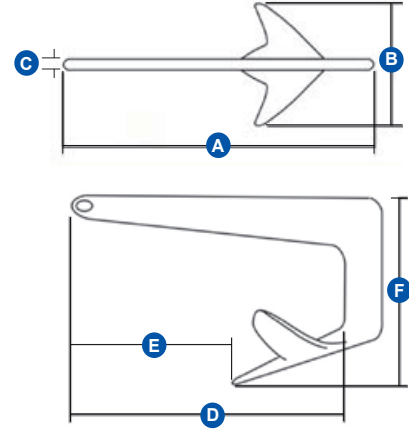
Claw Anchor

The Claw anchor is constructed of high-grade steel or 316-grade stainless steel.

- Sets effortlessly - self-aligning on bottom to roll upright and holds in a variety of seabeds - mainly sand and mud.
- Stows easily on the bow roller of most boats.



Part No.		Anchor Size		Dimensions (mm)						Suggested Boat Size (m)
Galv.	S/S	(lb)	(kg)	A	B	C	D	E	F	
JPW58	JPW1070	2.2	1	290	200	6	265	155	150	0-3
JPW59	JPW1071	4.4	2	360	250	8	325	190	180	3-6
JPW60	JPW1072	11	5	470	310	10	415	270	230	5-9
JPW61	JPW1073	16.5	7.5	495	330	10	430	280	260	8-10
JPW62	JPW1074	22	10	540	360	11	465	305	285	9-11
JPW63	JPW1075	33	15	625	420	13	530	340	330	11-13
JPW64	JPW1076	44	20	700	460	17	590	365	335	12-15
JPW65	JPW1077	66	30	825	525	19	705	425	395	14-19
JPW66	-	110	50	955	645	23	780	490	440	17-22



Reef Anchor

Popular lightweight anchor for fishing.

- Hot dipped galvanised finish.
- Includes 4x straight prongs that must be bent for use.

Part No.	Dia (mm)
JPW90	6
JPW91	8
JPW92	10
JPW93	12



Anchor Kits - Ski Boat and PWC

Includes a galvanised folding grapnel anchor, eight metres of silver rope with a stainless steel snap hook attached, and float.

- Includes padded anchor bag for storage.

Part No.	Kit Type	Anchor Size (kg)
JPW1010	PWC	1.5
JPW1011	PWC	2.5
JPW1012	Ski Boat	3.2



Reef Anchor - Folding

Twist design four-prong reef anchors that lay flat after use for safe and easy stowage.

- To use - simply twist head and lock in.
- Hot dipped galvanised finish.

Part No.	Dia (mm)
JPW105	8
JPW106	10
JPW107	12



Throw Grapnel

4-prong stainless steel grapnel, for retrieving rope lines etc overboard.

New product available mid-2018

Part No.	Anchor Size
JPW1080	1kg



Grapnel Folding Anchor

Ideal for small boats, dinghies and jet skis. With no sharp edges, it folds/unfolds in seconds and stores compactly with locking collar.

- Hot dipped galvanised cast iron.

Part No.	Anchor Size	
	(lb)	(kg)
JPW95	3.3	1.5
JPW96	5.5	2.5
JPW97	7.1	3.2
JPW98	8.8	4



Sea Anchors

Reduces movement and controls the amount of wind drift in open water when fishing, resting or riding out rough weather waiting for rescue.

- Tough PVC with reinforced webbing.



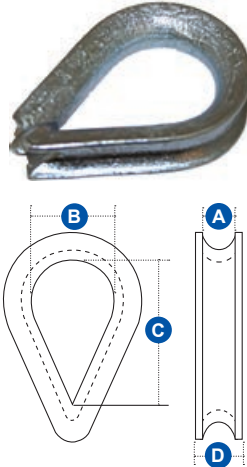
Part No.	Dimensions (cm)	Suggested Boat Size (m)
JPW11200	50 x 55 (Small)	up to 4.6
JPW11201	60 x 75 (Medium)	up to 6.2
JPW11202	125 x 125 (Large)	up to 7.3

Thimbles - Galvanised

Galvanised steel thimbles in a range of sizes (12mm - 38mm).

- Traditional style; suitable for splicing into anchor ropes etc.

Part No.	Dimensions (mm)			
	A	B	C	D
JPW4000	12	30	70	18
JPW4001	14	40	85	20
JPW4002	16	41	92	22
JPW4004	20	50	115	28
JPW4005	22	52	130	29
JPW4006	24	65	144	32
JPW4008	28	74	168	39
JPW4010	32	96	202	44
JPW4013	38	106	244	52



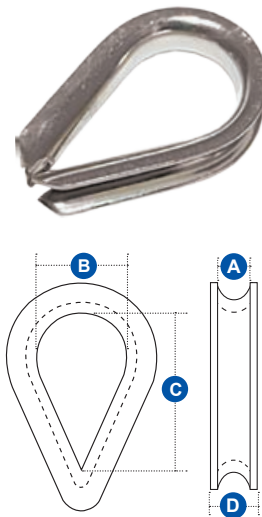
Note: "A" measurement is the diameter of the rope that suits the thimble.

Thimbles - Stainless Steel

Traditional rope style thimbles suitable for splicing into anchor ropes.

Made with 304-grade stainless steel.

Part No.	Dimensions (mm)			
	A	B	C	D
JPW520	6	13	23	9
JPW521	8	20	34	13
JPW522	10	25	40	15
JPW523	12	28	50	18
JPW525	14	33	53	20
JPW526	16	38	66	23
JPW529	20	47	84	27
JPW531	24	54	85	33



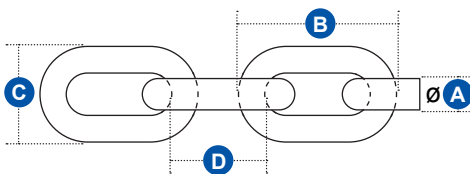
Note: "A" measurement is the diameter of the rope that suits the thimble.

Galvanised Chain - General Link

This ISO-proof coil chain is low carbon steel general purpose anchor chain. Used when high-tensile strength is not required.

- Hot dipped galvanised finish.
- Sold in cut lengths per metre to requirements.

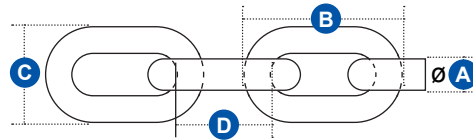
Part No.	Dimensions (mm)			
	øA	B	C	D
JPW490	6	40.7	23.5	26.1
JPW491	8	49.1	29.5	32.2
JPW492	10	58.7	36.2	39.1
JPW493	12	70	44	46



Galvanised Chain - Short Link

Low carbon steel chain specifically for anchoring.

- Hot dipped galvanised short link chain, calibrated to latest DIN766 standard.
- Each link is calibrated to ensure proper fit for most metric windlasses.
- Check manufacturer's specifications prior to purchase.
- Sold in cut lengths per metre to requirements.



Part No.	Dimensions (mm)			
	øA	B	C	D
JPW499	6	30.6	20	18.5
JPW502	8	40	26	24
JPW503	10	47.2	34	28
JPW504	12	59.6	44	36

Anchor Swivels Connector - Stainless Steel

Single or double swivel anchor to chain connectors made from 316-grade stainless steel. Prevents chain and anchor from twisting when setting and retrieving anchor.

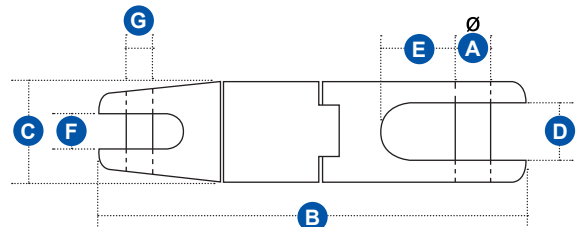
- Slides over bow rollers for easy retrieval.



Single Anchor Swivel



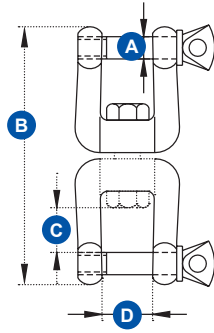
Double Anchor Swivel



Part No.	Swivel Chain Size (mm)	Dimensions (mm)						SWL* (kg)	
		øA	B	C	D	E	F		G
JPW4921	Sgle, 6-8	9	90	27	15	23	9	9	850
JPW4922	Sgle 8-12	11	114	35	20	30	13	11	1350
JPW4926	Dble 6-8	9	133	28	16	21	9	7	850
JPW4927	Dble 10-12	11	168	38	18	28	12.5	11	1350

Jaw & Jaw Swivel Shackle - Stainless Steel

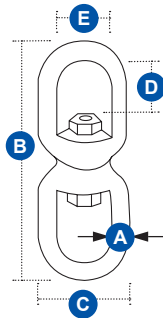
316-grade stainless steel with shackle pin at each end for easy connection.



Part No.	Dimensions (mm)			
	A	B	C	D
JPW4936	6	66	11	12
JPW4937	8	94	16	16
JPW4938	10	118	22	20
JPW4939	13	152	28	26

Eye & Eye Swivel - Stainless Steel

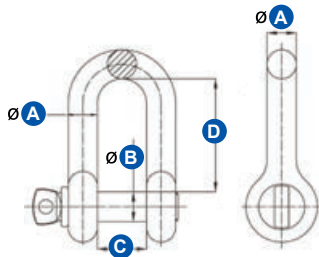
Heavy duty swivel, made from 316-grade stainless steel.



Part No.	Dimensions (mm)				
	A	B	C	D	E
JPW4958	6	65	21	15	15
JPW4959	8	90	35	22	20
JPW4960	10	115	44	27	24

'D' Shackles - Galvanised

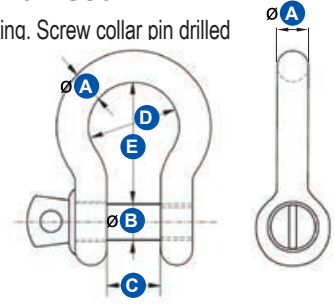
For general use, not rated for lifting. Screw collar pin drilled with hole for security tie wire.



Part No.	Dimensions (mm)			
	øA	øB	C	D
JPW550	5	5	10	19
JPW551	6	6	13	25
JPW552	8	8	18	32
JPW553	10	10	19	37
JPW554	12	12	26	47
JPW555	16	16	30	61
JPW556	20	20	38	80
JPW557	25	25	49	94

Bow Shackles - Galvanised

For general use, not rated for lifting. Screw collar pin drilled with hole for security tie wire.



Part No.	Dimensions (mm)				
	øA	øB	C	D	E
JPW592	6	6	14	19	25
JPW593	8	8	16	24	32
JPW594	10	10	20	29	39
JPW595	12	12	25	35	46
JPW596	14	14	27	43	60
JPW597	16	16	29	47	65
JPW598	20	20	35	58	76
JPW599	25	25	46	77	104

'D' Shackles - Stainless Steel

316-grade stainless steel. Solid round standard screw pin with hole for security tie wire.



Refer dimensions to D shackle diagram

Part No.	Dimensions (mm)			
	øA	øB	C	D
JPW4872	5	5	10	18
JPW4873	6	6	11	24
JPW4874	8	8	17	33
JPW4875	10	10	20	40
JPW4876	12	12	23	48
JPW4877	16	16	34	64
JPW4878	20	20	40	76

Bow Shackles - Stainless Steel

316-grade stainless steel. Screw collar pin drilled with hole for security tie wire.



Refer dimensions to Bow shackle diagram

Part No.	Dimensions (mm)				
	øA	øB	C	D	E
JPW4882	5	5	10	15	19
JPW4883	6	6	12	18	24
JPW4884	8	8	16	24	32
JPW4885	10	10	22	30	39
JPW4886	13	13	25	38	48
JPW4887	16	16	32	56	64
JPW4888	20	20	38	66	76
JPW4889	25	25	50	87	100

Rubber Mooring Springers

Reduces jarring and cushions shock load. No knots to tie, just wrap and thread your ropes.

- Withstands 453kg (1000 lb) of pull.
- Use with up to a 19mm (3/4") diameter mooring line.

Part No.	Size	Length (mm)
JPW3890	Large	750
JPW3900	Small	550



Mooring Spring Compensator

Mooring compensators designed to protect your boat & fittings from shock & stress when berthing or moored.



Part No.	Suit Rope Size	Length (mm)
JPW17885	18/20mm	570

Dock Lines - Double Braided Nylon

White, soft and easy to handle. Great elasticity, good abrasion resistance and high strength. Spliced with a large loop on one end to throw over a cleat or bollard.

- Supplied in bag with tag.

Part No.	Dia. (mm)	Length (m)
JPW6875	10	3
JPW6876	10	6



Dock Lines - Double Braided Polyester

High quality UV-stabilised 16-strand double braid black polyester.

- Very strong and soft to handle.
- Pre-made in various lengths to suit your requirements. Each length has a professionally hand-spliced 300mm loop with whipped end to prevent fray.

Part No.	Dia. x Length	Part No.	Dia. x Length
JPW6850	10mm x 6m	JPW6856	16mm x 10m
JPW6851	10mm x 10m	JPW6857	16mm x 15m
JPW6852	12mm x 6m	JPW6858	18mm x 10m
JPW6853	12mm x 10m	JPW6859	18mm x 16m
JPW6854	14mm x 10m	JPW6860	20mm x 16m
JPW6855	14mm x 15m		



Dock Lines - Double Braided Nylon

White, soft and easy to handle. Great elasticity, good abrasion resistance and high strength.

- Spliced with a large loop on one end to throw over a cleat or bollard.
- Blister-packed

Part No.	Dia. (mm)	Length (m)
JPW6870	10	4.5
JPW6871	10	7.6



Anchor Ropes - Coils

Silver rope suitable for general marine use. 50m coil comes with S/S thimble spliced into one end for easy rope chain connection.

- Resistant to grease, oil and water.
- Made to Australian Standards (AS4142.2).

Part No.	Dia (mm)	Length (m)	Approx Break Strain (kg)
JPW600	6	50	390
JPW601	8	50	680
JPW602	10	50	1050
JPW603	12	50	1250
JPW604	14	50	1580



Fender Lanyards - Double Braided Polyester

High quality UV-stabilised 16-strand double braid black polyester.

- Professionally hand-spliced 300mm loop with whipped end to prevent fray.
- Easy to handle and soft on hands.

Part No.	Dia. (mm)	Length (m)
JPW6862	10	2
JPW6863	14	2
JPW6864	14	3



Anchor Ropes - Hanks

Polyethylene staple silver rope is UV-stabilised, strong and flexible.

For general marine and fishing industry use.

- Supplied in hanks for easy storage on shelf.

Part No.	Dia. (mm)	Length (m)
JPW627	8	50
JPW628	10	50



Padded Boat Fenders - Flat/Contour

A great alternative to those round boat fenders that can roll upwards or get pushed aside. Will remain snug against your hull and the contoured model wraps vertically to protect smaller boat gunwales.

- Very durable & easier to stow than standard bulky fenders.

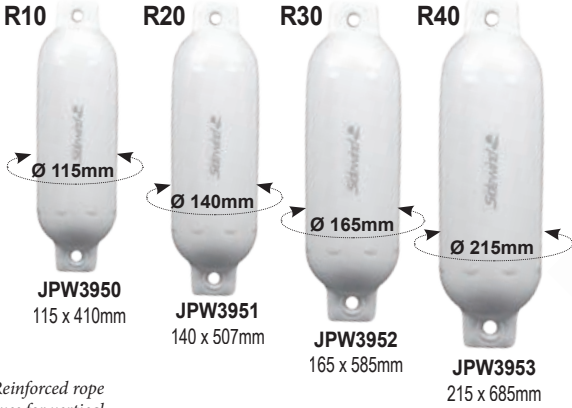


Part No.	Type	Dimensions (mm) (L x W x H)
JPW3910	Flat	660 x 165 x 64
JPW3912	Contour	610 x 165 x 64

R-Series Boat Fenders



Sidewind Marine R-Series fenders are constructed using molded vertical ribs to enhance strength and minimise rolling. Constructed from premium marine grade UV-stabilised vinyl for superior durability.



Reinforced rope eyes for vertical or horizontal use



Pin-type valve can be easily inflated using a standard sports pump.



MicroGuard protection guarantees your fender will last forever without ever rotting, or developing mold or mildew



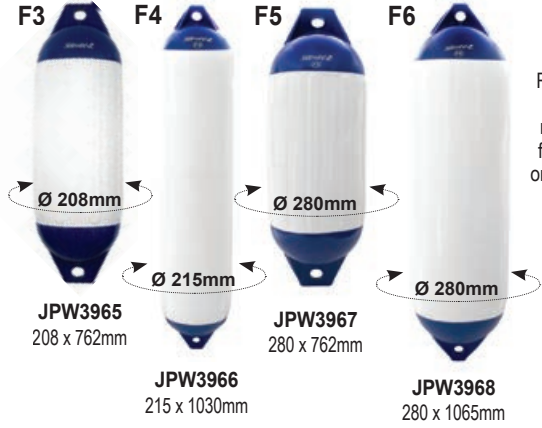
F-Series Boat Fenders



Sidewind Marine's F Series fenders bring safety to the next level. A one piece design and seamless mold construction gives the F series fender the excellent strength and durability that you require to protect your investment.



MicroGuard protection guarantees your fender will last forever without ever rotting, or developing mold or mildew



Reinforced Ø 23mm rope eyes for vertical or horizontal use

Heavy Duty Buoys Red/Black



Sidewind Marine round fender buoys are made with seamless construction and high quality marine-grade vinyl for extra strength and reliability. For use with sail boats, wakeboard boats, PWC, larger boats and commercial applications.

Reinforced Ø 25mm Rope Eyes



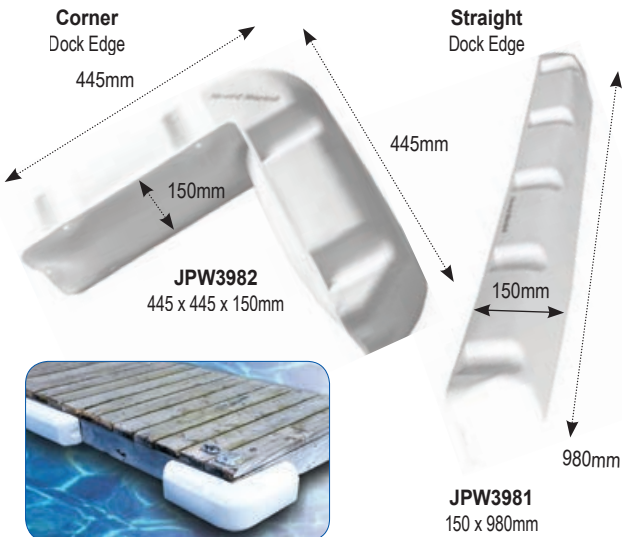
MicroGuard protection guarantees your fender will last forever without ever rotting, or developing mold or mildew



Dock Edge Fenders



Made from soft, pliable UV-stabilised PVC and can be easily attached to either metal or wooden docks. A pin type sports air valve for quick and easy inflation / adjusting air pressure to suit the dock application.



MicroGuard protection guarantees your fender will last forever without ever rotting, or developing mold or mildew

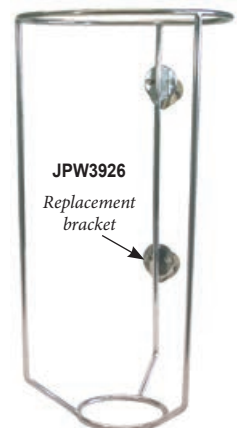


Fender Baskets - Heavy Duty Stainless Steel

For mounting on the rails of cruisers in the 25 - 45 foot range.

- Robust construction with 10mm diameter 302-grade rounded stainless steel; stainless steel rail clamps to suit 22, 25 & 32mm diameter rails.

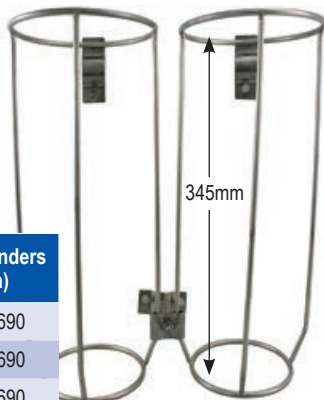
Part No.	Dia (mm)	Height (mm)
JPW3920	200	450
JPW3921	250	490
JPW3922	300	620
JPW3926	Replacement bracket	



Double Fender Baskets - Stainless Steel

Heavy duty construction using 316-grade stainless steel. Designed to fit rail systems from 22-32mm (7/8 to 1-1/4).

- Install at any height or angle.
- Sold as a pair.



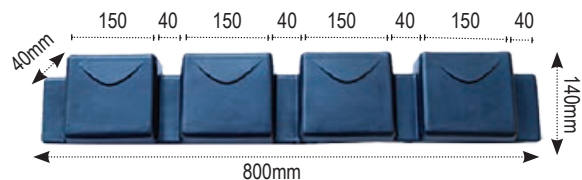
Part No.	Basket Internal Ø	Suits Fenders (mm)
JPW3930	155mm	155 x 690
JPW3931	200mm	200 x 690
JPW3932	230mm	230 x 690
JPW3933	280mm	280 x 690

EVA Dock Fenders

Constructed from a hollow EVA foam shell, EVA bumpers are designed for marinas/harbours, pontoons, jetties, piers, fingers, dry docks, fuel stations and boat yards or anywhere that needs protection.

- B70, B80 & B90 can be interlocked to create a desired length.
- Won't mark or stain your boat.

EVA Dock Fender - B70



Part No.	Description
JPW9780	B70 - Blue
JPW9787	B70 - White



B70 ideal for 90deg corners

Boat Hooks

Grab lines and fend off easily with these boat hooks.

- Anodised aluminium tube with black nylon double hook head and rolled grip handle.
- Black nylon PVC heads are curved to aid in line retrieval.

- Fixed Length

Part No.	Tube Dia (mm)	Length (m)
JPW681	30	1.8

- Telescopic - Floating

- Telescopes quickly and twist-locks securely.



Part No.	Tube Dia (mm)	Length (m)
JPW679	28.6	1.2 - 2.1
JPW680	28.6	1.2 - 2.1

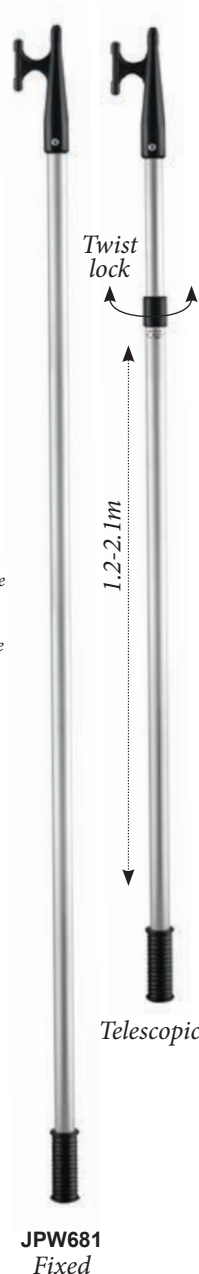
Replacement Head - 25mm

Boat hook replacement heads fit externally over the 25mm (1") tube.

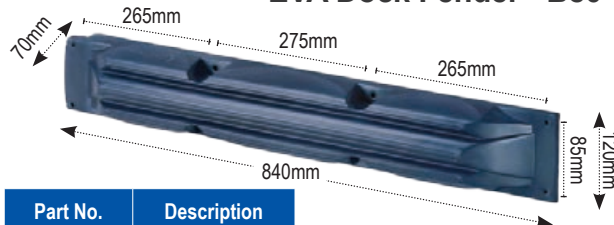
- Made from black heavy-duty nylon plastic.



Part No.	Inside Length (mm)	Dia (mm)
JPW682	190	25

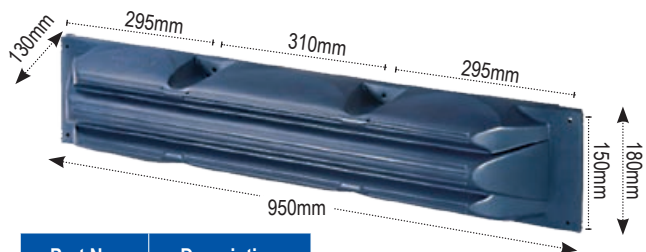


EVA Dock Fender - B80



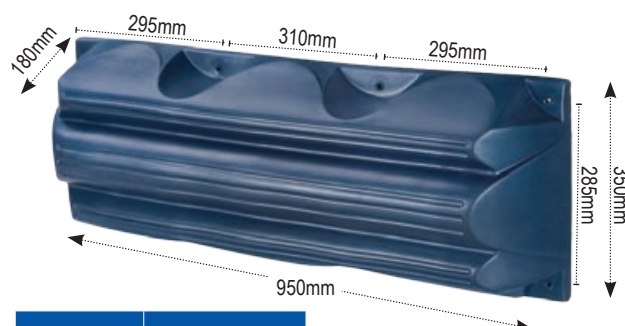
Part No.	Description
JPW9781	B80 - Blue
JPW9788	B80 - White

EVA Dock Fender - B90



Part No.	Description
JPW9782	B90 - Blue
JPW9789	B90 - White

EVA Dock Fender - B100

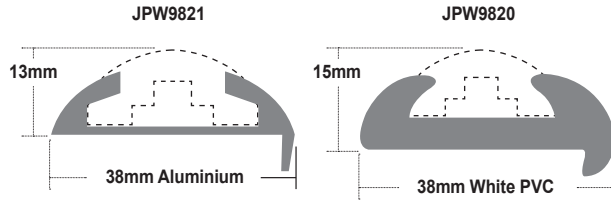


Part No.	Description
JPW9783	B100 - Blue
JPW9790	B100 - White

Gunwale - Aluminium & PVC 38mm

Gunwale profile fender trim available in polished anodised aluminium extrusion or in a white UV-stabilised PVC polymer both suitable for long lasting wear and tear in harsh marine environments.

- PVC insert (JPW9831) to suit the both profiles.

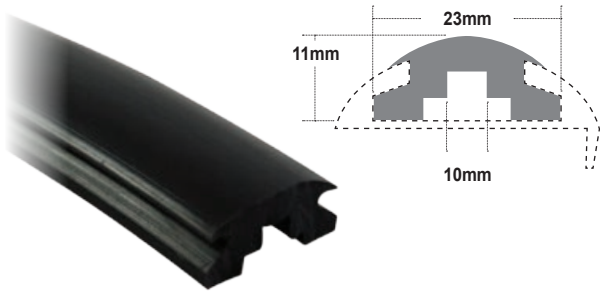


Part No.	Type	Length (m)
JPW9821	38mm Aluminium Gunwale Profile	3.65
JPW9820	38mm White PVC Gunwale Profile	3.65

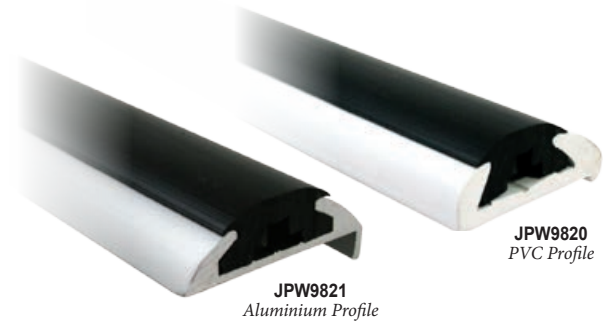
Gunwale Inserts - Black PVC 38mm

Gunwale insert made from black PVC material to fit inside both 38mm aluminium or white PVC profile gunwale boat trim.

Note: Once product has been cut it is non-refundable.



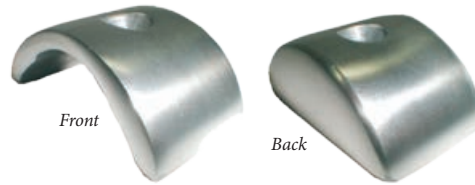
Part No.	Description	Length
JPW9831	Black Rubber Insert to suit 38mm Aluminium & PVC profile	Cut per metre



Gunwale End Cap - Aluminium 38mm

Anodised aluminium end caps to suit 38mm aluminium or PVC profile.

- End caps sold individually.

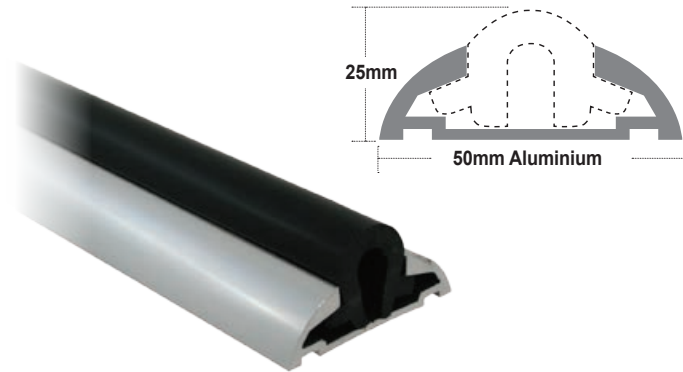


Part No.	Description
JPW9835	End Caps to suit 38mm Aluminium & PVC profile

Gunwale - Aluminium 50mm

Gunwale profile fender trim made from polished anodised aluminium extrusion. Looks great on any boat.

- PVC insert (JPW9829) to suit the aluminium profile.



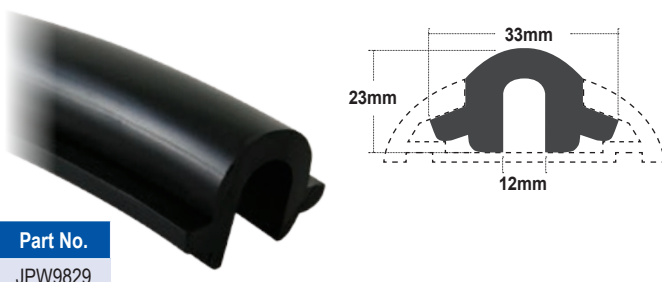
Part No.	Type	Length (m)
JPW9823	Aluminium	3.65

Gunwale Inserts - Black PVC 50mm

Gunwale insert made from black PVC material fits inside 50mm aluminium profile gunwale boat trim.

- The insert is sold per metre and is cut to order lengths.

Note: Once product has been cut it is non-refundable.



Part No.	JPW9829
----------	---------

Gunwale End Cap - Aluminium 50mm

Anodised aluminium end caps to suit 50mm aluminium profile gunwale boat trim.

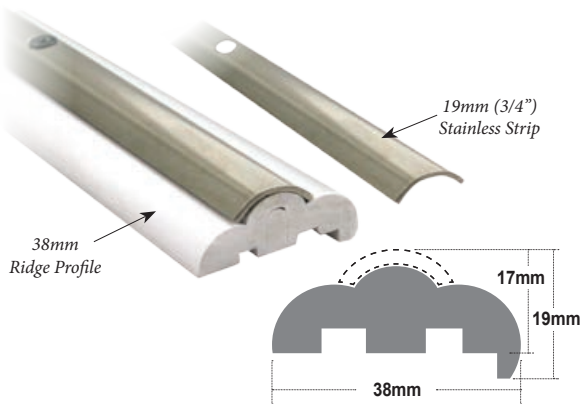


Part No.	JPW9836
----------	---------

Stainless Steel Rub Rail - 38mm Ridge PVC Profile

Stylish and easy to fit, 38mm PVC rigid body with a small leg, designed to carry 19mm (3/4") stainless steel insert for a classic look.

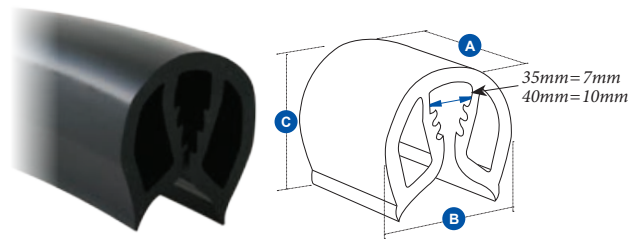
- For use on power boats and yachts this rigid PVC rub rail provides an attractive boat fendering option.



Part No.	Description	Length
JPW9824	38mm Ridge PVC Rub Rail Profile	3.65m
JPW9832	19mm (3/4") Stainless Insert to suit 38mm PVC	3.65m

Gunwale - Black PVC 35 & 40mm

UV-stabilised PVC black gunwale boat bumper trim sold in pre-cut common lengths from 8-22m. Longer lengths available on request.

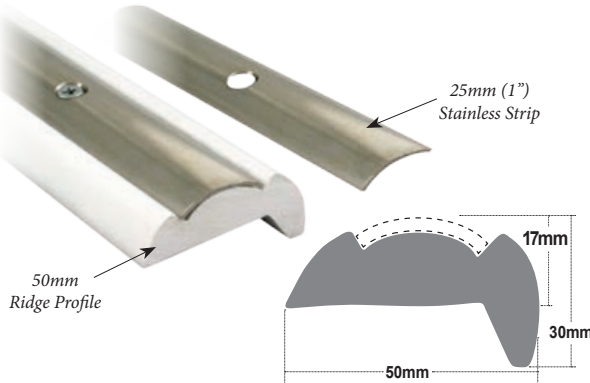


Part No. 35mm	Part No. 40mm	Dimensions		
		A (m)	B (mm)	C (mm)
-	JPW9850	8	40	30
JPW9841	JPW9851	10	40	30
JPW9842	JPW9852	12	40	30
JPW9843	JPW9853	14	40	30
JPW9844	JPW9854	16	40	30
JPW9845	JPW9855	18	40	30
JPW9846	JPW9856	20	40	30
JPW9847	JPW9857	22	40	30

Stainless Steel Rub Rail - 50mm Ridge PVC Profile

Stylish and easy to fit, 50mm PVC rigid body with a leg, designed to carry 25mm (1") stainless steel insert for a classic look.

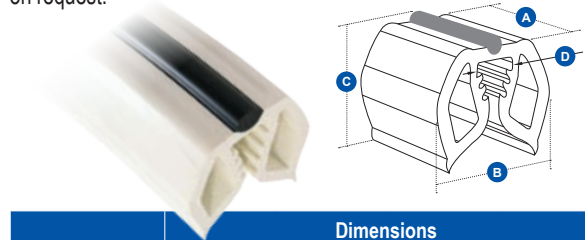
- For use on power boats and yachts this rigid PVC rub rail provides an attractive boat fendering option. Available in pre-cut lengths of 3.65m.



Part No.	Description	Length
JPW9825	50mm Ridge PVC Rub Rail Profile	3.65m
JPW9833	25mm (1") Stainless Insert to suit 38mm PVC	3.65m

Gunwale-White PVC with Black Strip 40mm

UV-stabilised PVC white with black strip gunwale boat bumper trim sold in pre-cut common lengths from 8-22m. Longer lengths available on request.



Part No.	Dimensions			
	A (m)	B (mm)	C (mm)	D (mm)
JPW9860	8	40	34	10
JPW9861	10	40	34	10
JPW9862	12	40	34	10
JPW9863	14	40	34	10
JPW9864	16	40	34	10
JPW9865	18	40	34	10
JPW9866	20	40	34	10
JPW9867	22	40	34	10

Gunwale End & Corner Caps - Stainless Steel

316-grade stainless steel cast end caps and corner caps to suit 35mm and 40mm gunwale boat trim.

Part No.	Type	Suits Gunwale
JPW9760	End	35mm
JPW9763	Corner	35mm
JPW9765	End	40mm
JPW9766	Corner	40mm



Gunwale End & Corner Caps - PVC 40mm

Black or white, made from plastic to suit above 40mm gunwale boat fender trim.

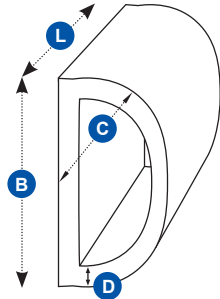
Part No.	Type	Colour
JPW9811	End	White
JPW9812	End	Black
JPW9814	Corner	Black
JPW9815	Corner	White



'D' Section Pontoon Fenders - PVC

This product is suitable as gunwale for larger watercrafts or as fender material for boat pens or buffers on a wharf/jetty or on trucks as a rear buffer.

- Made from white high UV-stabilised PVC, Black available upon request.

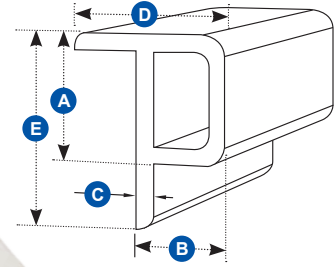


Part No.	Colour	Dimensions			
		Length (m)	B (mm)	C (mm)	D (mm)
JPW9750	White	1.5	90	57	10
JPW9751	White	5	90	57	10
JPW9752	White	10	90	57	10
JPW9818	White	5	70	41	8
JPW9819	White	10	70	41	8
JPW9819A	Black	10	70	41	8

'P' Section Pontoon Fender - White PVC

Suitable as gunwale for larger watercraft or as fender material for boat pens or buffers on a wharf/jetty or on trucks as a rear buffer.

- Made from white high UV-stabilised PVC
- Supplied in 30m rolls or per metre/cut to order lengths on request.



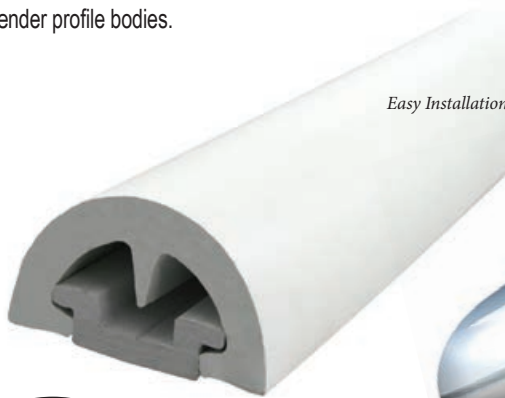
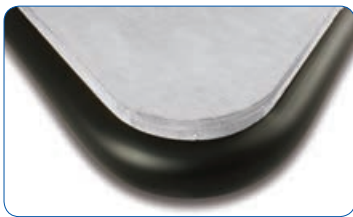
Part No.	Dimensions (mm)				
	A	B	C	D	E
JPW9807	45	30	5	50	65

'D' Fender PVC Rub Rail 'BUMP'

The BUMPI! 'D' fender has been developed to provide a quick and simple installation with hidden fixings without compromising impact resistance.

- Easier to fit than traditional D Fender
- Handles curves and 80mm radius without the need to mitre either track or body.
- Available in either 53 or 65mm width profiles.
- Internal track (sold separately) and fits both fender profile bodies.
- End cap (sold separately)

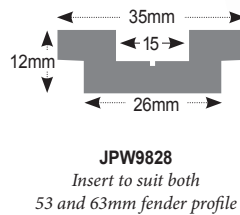
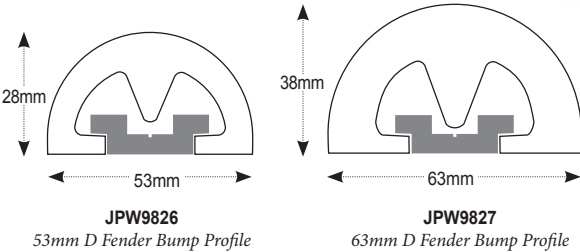
Bump fenders wrap neatly around most curves.
(Image for illustration purposes only).



End caps



Images are for illustration purposes. Black PVC available on special order requests



Part No.	Description	Length
JPW9826	53mm 'D' Fender Bump Profile White	Sold in multiples of 3m - Cut to Length
JPW9827	63mm 'D' Fender Bump Profile White	Sold in multiples of 3m - Cut to Length
JPW9828	Internal Track suit both 53 & 65mm	3m
JPW9837	316-Grade Stainless Steel End Caps to suit 53mm Bump	
JPW9838	316-Grade Stainless Steel End Caps to suit 65mm Bump	

ANCHOR WINCHES & ACCESSORIES 02

QUICK HORIZONTAL ON-DECK WINDLASSES

GENIUS Series: GP2.....	24
HECTOR Series: HC3 1000 / 1500	25

QUICK VERTICAL WINDLASSES

PRINCE Series: DP2.....	26
PRINCE Series: DP2E 600 / 1000	27
PRINCE Series: DP3	28
DYLAN Series: DH4 2000	29
DAVE Series: DV5 2300 / 3000	30
TOTEM Series: TM3 600 / 1000	31

QUICK ACCESSORIES AND OPTIONS

Brake Control	38
Chain Counters.....	33
Foot Switches & Chain Stoppers.....	37
Hand-held Remote Controls & Receivers	34-35
Panel Switch & Circuit Breaker	36
Replacement Windlass Handles	37
Rope / Chain / Gypsies	38
Solenoids & Reversing Solenoids	36
Watertight Cable Outlets	36
Watertight Electrical Connectors	36

VIPER DRUM ANCHOR WINCH

Viper Drum Winches & Accessories	39
Viper Winch Accessories.....	40



Horizontal On-Deck Windlass - Genius Series GP2

A compact, on-deck mounted windlass providing functionality and efficiency.

- Waterproof to IP66 - features a robust anodised marine grade alloy housing and a 316-grade stainless steel gypsy.
- Patented 'Free Fall' mechanism to allow the anchor to free fall at the touch of a button – the serious fisherman's friend!
- All winches supplied standard with contactor and circuit breaker



SPECIFICATIONS

Model	Watts	Amps under load	Voltage	Max. Working load (kg)	Chain speed M/Min at working load	Chain size Din766 (mm)	Rope size nylon 3-strand (mm)	Suggested boat size (m)	Contactor supplied	Circuit Breaker supplied (amps)
1200	250	35	12	170	25.1	6-8	12.7	6-9	T6411-12	40
1200FF	250	35	12	170	25.1	6-8	12.7	6-9	T6411-12	40
1500	500	76	12	250	10.3	6 or 8	12.7	6-10	T6415-12	50
1500FF	500	76	12	250	10.3	6 or 8	12.7	6-10	T6415-12	50
2000	800	96	12	350	20	8	12.7	8-13	T6415-12	80
2000FF	800	96	12	350	20	8	12.7	8-13	T6415-12	80



Free Fall models
GP2 1200 FF
GP2 1500 FF
GP2 2000 FF



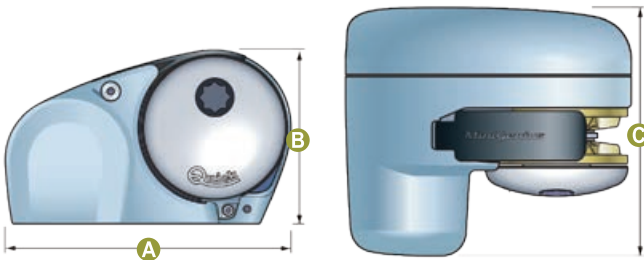
Standard models
GP2 1200
GP2 1500
GP2 2000

KITS - STANDARD and FREEFALL

Order code	Description
GP2 1200	
QFSGM02500006A03	12v 6mm Kit
QFSGM02500008A01	12v 8mm Kit
QFSGM0250F006A02	12v 6mm FF Kit
QFSGM0250F008A01	12v 8mm FF Kit
GP2 1500	
QFSGP21500008A01	12v 8mm Kit
QFSGP21500006A01	12v 6mm Kit
QFSGP21500F06A01	12v 6mm FF Kit
QFSGP21500F08A01	12v 8mm FF Kit
GP2 2000	
QFSGP22012008A06	12v 8mm Kit
QFSGP22012F08A01	12v 8mm FF Kit

SWITCHING - Options

Order code	Description
Console	
QFP8000000000A00	Toggle Control Switch Up/Down
QFPWCS8100000A00	NEW! Rocker Control Switch Up/Down
Foot	
QFP900CB00000A00	Foot Switch Chain Washer Black (Blue Btn)
QFP900CW00000A00	Foot Switch Chain Washer White (Blue Btn)
QFP900DB00000A00	Foot Switch Anchor DOWN Black (Wht Btn)
QFP900DW00000A00	Foot Switch Anchor DOWN White (Wht Btn)
QFP900UB00000A00	Foot Switch Anchor UP Black (Red Btn)
QFP900UW00000A00	Foot Switch Anchor UP White (Red Btn)
Hand Held	
QFPHRC1002000C00	Handheld Remote 2Btn 1002
QFPHRC1002L00D00	Handheld Remote 2Btn+LED 1002L
Wireless	
QFR8100000000A00	External Antenna 433/434Mhz
QFRRRCH020000A00	Handheld Radio 2T (UpDwn)
QFRRRCP020000A00	Pocket Transmitter P02 (UpDwn)
QFRRRCR020000B00	Radio Receiver R02 - 2 Channel



Model	Dimensions A x B x C (mm)
GP2 1200	213 x 129 x 184
GP2 1500/2000	249 x 135 x 217

ANCHOR RODES - Suggested only

Part No.	Description
JPW1020	10m x 6mm chain 50m x 12.7mm Nylon Rope-Spliced
JPW1021	20m x 6mm chain 100m x 12.7mm Nylon Rope-Spliced
JPW1024	10m x 8mm chain 50m x 12.7mm Nylon Rope-Spliced
JPW1025	10m x 8mm chain 100m x 12.7mm Nylon Rope-Spliced

For OPTIONS & ACCESSORIES see pages 32-38

Horizontal On-Deck Windlass - Hector Series - HC3 1000/1500



SPECIFICATIONS

Model	Watts	Amps under load	Voltage	Max. Working load (kg)	Chain speed M/Min at working load	Chain size Din766 (mm)	Rope size nylon 3-strand (mm)	Suggested boat size (m)	Contactor supplied	Circuit Breaker supplied (amps)
1000	1000	140	12	400	17.8	8-10	12.7-15.8	10-13	Built in	80
1000	1000	80	24	490	21	8-10	12.7-15.8	10-13	Built in	50
1500	1500	150	12	450	17.8	10	15.8	12-15	Built in	100
1500	1500	85	24	550	19.2	10	15.8	12-15	Built in	50

The big brother of the Genius series of windlass, The Hector comes with built in solenoids for easy installation and is IP66 watertight. The best choice when there is little room in the anchor locker for a motor and gear box. Installs completely above deck.

Supplied without drum or with drum (on left or right side). Available upon request.

Features:

- Anodised aluminium base.
- Cover is composite material.

Standard Inclusions:

- Integrated contactor.
- Clutch Release and Manual Lift Handle
- Emergency manual lift system.
- Manual Free fall system.
- Integrated sensor and magnet for chain counter.

KITS

Order code	Description
HC3 1000	
QFSHC10120008A00	Hector 1000w 12v 8mm
QFSHC10120010A00	Windlass Hector 1000w 12v 10mm
QFSHC10240010A00	Windlass Hector 1000w 24v 10mm
HC3 1500	
QFSHC15120010A00	Windlass Hector 1500w 12v 10mm
QFSHC1512D010A00	Windlass Hector 1500W 12v 10mm GD
QFSHC15240010A00	Windlass Hector 1500w 24v 10mm
QFSHC1524D010B00	Windlass Hector 1500w 24v 10mm GD

SWITCHING - Options

Order code	Description
Console	
QFP8000000000A00	Toggle Control Switch Up/Down
QFPWCS8100000A00	NEW! Rocker Control Switch Up/Down
Foot	
QFP900CB00000A00	Foot Switch Chain Washer Black (Blue Btn)
QFP900CW00000A00	Foot Switch Chain Washer White (Blue Btn)
QFP900DB00000A00	Foot Switch Anchor DOWN Black (Wht Btn)
QFP900DW00000A00	Foot Switch Anchor DOWN White (Wht Btn)
QFP900UB00000A00	Foot Switch Anchor UP Black (Red Btn)
QFP900UW00000A00	Foot Switch Anchor UP White (Red Btn)
Hand Held	
QFPHRC1002000C00	Handheld Remote 2Btn 1002
QFPHRC1002L00D00	Handheld Remote 2Btn+LED 1002L
Wireless	
QFR8100000000A00	External Antenna 433/434Mhz
QFRRRCH020000A00	Handheld Radio 2T (UpDwn)
QFRRRCP020000A00	Pocket Transmitter P02 (UpDwn)
QFRRRCR020000B00	Radio Receiver R02 - 2 Channel

Anchor Rodes can be made to order.



HC3

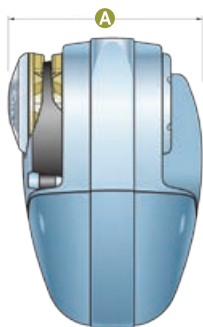


HC3 D

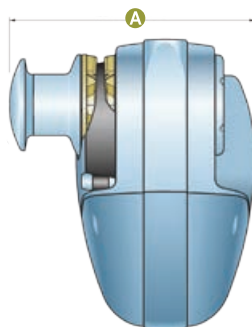


HC3 D/DB

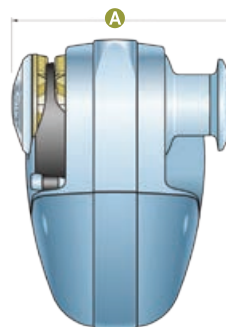
Model	Dimensions (mm)		
	A	B	C
HC3	250	213	373
HC3 D	318	213	373
HC3 D/DB	284	213	373



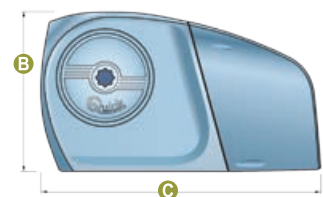
HC3
Without drum



HC3 D
Drum on Left Side



HC3 D/DB
Drum on Right Side



All HC3 Models

For **OPTIONS & ACCESSORIES** see pages 32-38

Vertical Windlass - PRINCE SERIES - DP2

AISI 316-grade stainless steel base with and without drum integrated sensor and magnet for chain counter.

- Manual Free-Fall system • Inspection cover • IP67 watertight motor (700-1000W) IP66 (500W) anodised aluminium gearbox.
- All winches supplied standard with contactor and circuit breaker



IP66 IP67

SPECIFICATIONS

Model	Watts	Amps under load	Voltage	Max. Working load (kg)	Chain speed M/Min at working load	Chain size Din766 (mm)	Rope size nylon 3-strand (mm)	Suggested boat size (m)	Contactor supplied	Circuit Breaker supplied (amps)
500	500	80	12	200	24.3	6 or 8	12.7	5-9	T6415-12	60
500	500	40	24	220	24.1	6 or 8	12.7	5-9	T6415-24	80
700	700	95	12	300	11.6	6 or 8	12.7	7-12	T6315-12	50
700	700	50	24	320	14.4	6 or 8	12.7	7-12	T6315-24	40
1000	1000	130	12	420	16.5	8	12.7	8-13	T6315-12	80
1000	1000	75	24	480	19.1	8	12.7	8-13	T6315-24	50



DP2 winch with drum



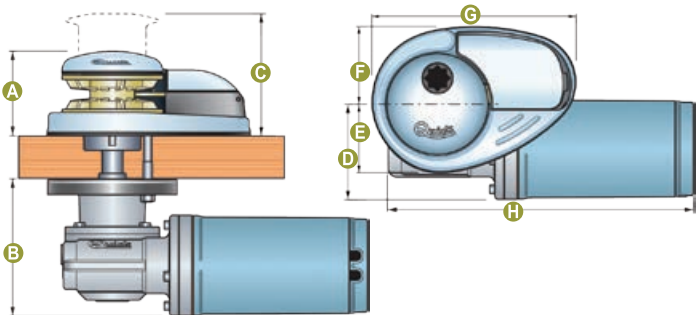
DP2 winch without drum

KITS

Order code	Description
DP2 500	
QFSDP20512006A00	12v 6mm Kit
QFSDP20512D06A00	12v 6mm GD Kit
QFSDP20512008A00	12v 8mm Kit
QFSDP20512D08A00	12v 8mm GD Kit
QFSDP20524006A00	24v 6mm Kit
QFSDP20524008A00	24v 8mm Kit
DP2 700	
QFSDP20712006A00	12v 6mm Kit
QFSDP20712008A00	12v 8mm Kit
QFSDP20712D06A00	12v 6mm GD Kit
QFSDP20724006A00	24v 6mm Kit
QFSDP20724008A00	24v 8mm Kit
DP2 1000	
QFSDP21012006A00	12v 6mm Kit
QFSDP21012008A00	12v 8mm Kit
QFSDP21012D08A00	12v 8mm GD Kit
QFSDP21024008A00	24v 8mm Kit

SWITCHING - Options

Order code	Description
Console	
QFP8000000000A00	Switch Control Up/Down - Windlass
QFPWCS8100000A00	NEW! Rocker Control Switch Up/Down
Foot	
QFP900CB00000A00	Foot Switch Chain Washer Black (Blue Btn)
QFP900CW00000A00	Foot Switch Chain Washer White (Blue Btn)
QFP900DB00000A00	Foot Switch Anchor DOWN Black (Wht Btn)
QFP900DW00000A00	Foot Switch Anchor DOWN White (Wht Btn)
QFP900UB00000A00	Foot Switch Anchor UP Black (Red Btn)
QFP900UW00000A00	Foot Switch Anchor UP White (Red Btn)
Hand Held	
QFPHRC1002000C00	Handheld Remote 2Btn 1002
QFPHRC1002L00D00	Handheld Remote 2Btn+LED 1002L
Wireless	
QFR8100000000A00	External Antenna 433/434Mhz
QFRRRCH020000A00	Handheld Radio 2T (UpDwn)
QFRRRCP020000A00	Pocket Transmitter P02 (UpDwn)
QFRRRCR020000B00	Radio Receiver R02 - 2 Channel



Model	Dimensions (mm)							
	A	B	C	D	E	F	G	H
DP2 500	82	122	139	85	68	78	196	273
DP2 500 Deck Thickness: 20 - 30mm								
DP2 700	82	155	139	141.5	68	78	196	326.5
DP2 700 Deck Thickness: 25 - 50mm								
DP2 1000	82	156	139	146	68	78	196	344
DP2 1000 Deck Thickness: 25 - 50mm								

ANCHOR RODES - Suggested only

Part No.	Description
JPW1020	10m x 6mm chain 50m x 12.7mm Nylon Rope-Spliced
JPW1021	20m x 6mm chain 100m x 12.7mm Nylon Rope-Spliced
JPW1024	10m x 8mm chain 50m x 12.7mm Nylon Rope-Spliced
JPW1025	10m x 8mm chain 100m x 12.7mm Nylon Rope-Spliced

For OPTIONS & ACCESSORIES see pages 32-38



Vertical Windlass - PRINCE SERIES - DP2E

The DP2E windlass is equipped with an epicyclical gearbox, that provides much higher efficiency (40% compared to equivalent traditional gearboxes).

- Motor Watertight to IP66 rated
- All winches supplied standard with contactor and circuit breaker



SPECIFICATIONS

Model	Watts	Amps under load	Voltage	Max. Working load (kg)	Chain speed M/Min at working load	Chain size Din766 (mm)	Rope size nylon 3-strand (mm)	Suggested boat size (m)	Contactor supplied	Circuit Breaker supplied (amps)
600	500	60	12	200	18.6	6	12.7	6-10	T6415-12	50
1000	800	84	12	290	15.2	6 or 8	12.7	7-12	T6415-12	80



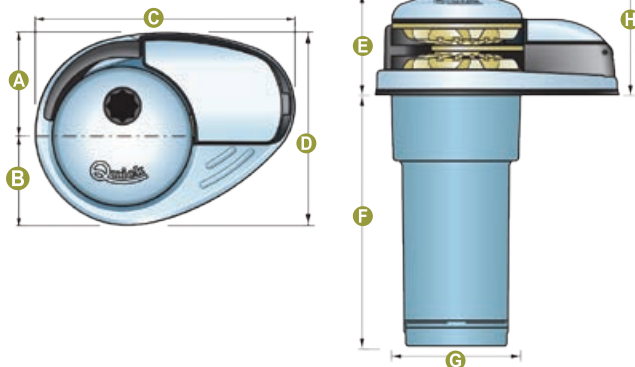
**Epicyclical Gearbox
Vertical Drive Motor**
Quick & easy drop-in installation.

KITS

Order code	Description
DP2E	
QFSDP2E060006A01	DP2E 500w 12v 6mm Kit
QFSDP2E060008A01	DP2E 500w 12v 8mm Kit
QFSDP2E06D006A01	DP2E 500w 12v GD 6mm Kit
QFSDP2E06D008A01	DP2E 500w 12v GD 8mm Kit
QFSDP2E100008A01	DP2E 800w 12v 8mm Kit

SWITCHING - Options

Order code	Description
Console	
QFP8000000000A00	Toggle Control Switch Up/Down
QFPWCS8100000A00	NEW! Rocker Control Switch Up/Down
Foot	
QFP900CB00000A00	Foot Switch Chain Washer Black (Blue Btn)
QFP900CW00000A00	Foot Switch Chain Washer White (Blue Btn)
QFP900DB00000A00	Foot Switch Anchor DOWN Black (Wht Btn)
QFP900DW00000A00	Foot Switch Anchor DOWN White (Wht Btn)
QFP900UB00000A00	Foot Switch Anchor UP Black (Red Btn)
QFP900UW00000A00	Foot Switch Anchor UP White (Red Btn)
Hand Held	
QFPHRC1002000C00	Handheld Remote 2Btn 1002
QFPHRC1002L00D00	Handheld Remote 2Btn+LED 1002L
Wireless	
QFR8100000000A00	External Antenna 433/434Mhz
QFRRRCH020000A00	Handheld Radio 2T (UpDwn)
QFRRRCP020000A00	Pocket Transmitter P02 (UpDwn)
QFRRRCR020000B00	Radio Receiver R02 - 2 Channel



Model	Dimensions (mm)							
	A	B	C	D	E	F	G	H
All DP2E Models	78	68	196	145.4	83	204.5	105	140

Deck Thickness on all models: 20 - 40mm

ANCHOR RODES - Suggested only

Part No.	Description
JPW1020	10m x 6mm chain 50m x 12.7mm Nylon Rope-Spliced
JPW1021	20m x 6mm chain 100m x 12.7mm Nylon Rope-Spliced
JPW1024	10m x 8mm chain 50m x 12.7mm Nylon Rope-Spliced
JPW1025	10m x 8mm chain 100m x 12.7mm Nylon Rope-Spliced

**For OPTIONS & ACCESSORIES
see pages 32-38**

Vertical Windlass - Prince Series - DP3 700/1000/1500

AISI 316-grade stainless steel base with and without drum integrated sensor and magnet for chain counter.
Manual Free-Fall system Inspection cover IP67 watertight motor anodized aluminium gearbox.



- With and without drum. • Rope and chain on a single gypsy. • Supplied with pressure lever Inspection lid. • Clutch Release and Manual Lift Handle
- All winches supplied standard with contactor and circuit breaker

SPECIFICATIONS

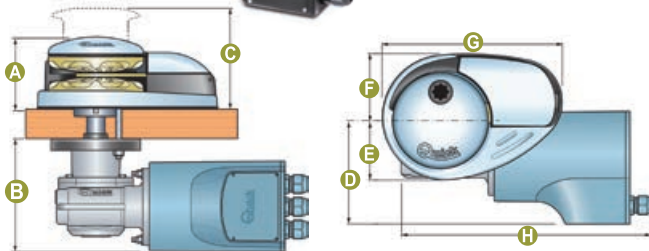
Model	Watts	Amps under load	Voltage	Max. Working load (kg)	Chain speed M/Min at working load	Chain size Din766 (mm)	Rope size nylon 3-strand (mm)	Suggested boat size (m)	Contactor supplied	Circuit Breaker supplied (amps)
700	700	90	12	250	14.4	8mm - 10mm	12.7 - 15.8	7-12m	T6315-12	50
700	700	55	24	300	14.8	8mm - 10mm	12.7 - 15.8	7-12m	T6315-24	40
1000	1000	140	12	370	20.4	8mm - 10mm	12.7 - 15.8	10 -14m	T6315-12	80
1000	1000	80	24	450	21.4	8mm - 10mm	12.7 - 15.8	10 -14m	T6315-24	50
1500	1500	155	12	470	16.3	8mm-10mm	12.7-15.8	12-15m	T6315-12	100
1500	1500	85	24	540	19	8mm-10mm	12.7-15.8	12-15m	T6315-12	50

KITS

Order code	Description	Order code	Description
DP3 700		DP3 1500	
QFSDP30712008A01	12V 8mm Kit	QFSDP31512008A02	12v 8mm Kit
QFSDP30712010A01	12v 10mm Kit	QFSDP31512010A05	12v 10mm Kit
QFSDP30724008A01	24v 8mm Kit	QFSDP31524008A02	24v 8mm Kit
QFSDP30724010A01	24v 10mm Kit	QFSDP31524010A03	24v 10mm Kit
DP3 1000		QFSDP31524D10A03 24v10mm GDKit	
QFSDP31012008A01	12v 8mm Kit		
QFSDP31012010A01	12v 10mm Kit		
QFSDP31012D10A01	12v 10mm GDKit		
QFSDP31024008A02	24v 8mm Kit		
QFSDP31024010A01	24v 10mm Kit		
QFSDP31024D10A01	24v 10mm GD Kit		

SWITCHING - Options

Order code	Description
Console	
QFP8000000000A00	Switch Control Up/Down - Windlass
QFPWCS8100000A00	WCS810 Control Switch
Foot	
QFP900CB00000A00	Foot Switch Chain Washer Black
QFP900CW00000A00	Foot Switch Chain Washer White
QFP900DB00000A00	Foot Switch Anchor DOWN Black
QFP900DW00000A00	Foot Switch Anchor DOWN White
QFP900UB00000A00	Foot Switch Anchor UP Black
QFP900UW00000A00	Foot Switch Anchor UP White
Hand Held	
QFPHRC1002000C00	Handheld Remote 2Btn 1002
QFPHRC1002L00D00	Handheld Remote 2Btn+LED 1002L
Wireless	
QFR8100000000A00	External Antenna 433/434Mhz
QFRRRCH020000A00	Handheld Radio 2T (UpDwn)
QFRRRCP020000A00	Pocket Transmitter P02 (UpDwn)
QFRRRCR020000B00	Radio Receiver R02 - 2 Channel



Model	Dimensions (mm)							
	A	B	C	D	E	F	G	H
DP2 700	99	155.4	164	141.5	82	92	247	327
DP2 1000	99	155.4	164	141.5	82	92	247	344
Deck Thickness: 25 - 50mm								
DP2 1500	99	155.4	164	161.5	82	92	247	385
Deck Thickness: 30 - 50mm								

ANCHOR RODES - Suggested only

Part No.	Description
JPW1020	10m x 6mm chain 50m x 12.7mm Nylon Rope-Spliced
JPW1021	20m x 6mm chain 100m x 12.7mm Nylon Rope-Spliced
JPW1024	10m x 8mm chain 50m x 14mm Nylon Rope-Spliced
JPW1023	10m x 8mm chain 100m x 14mm Nylon Rope-Spliced

For OPTIONS & ACCESSORIES see pages 32-38



DYLAN SERIES DH4-2000 Vertical Anchor Winch

Base is anodised aluminium with or without drum.

- Rope/chain gypsy with integrated sensor and magnet for chain counter.
- Manual Free-Fall System with emergency manual lift.
- Supplied with pressure lever inspection lid
- Rated IP66 watertight, anodised aluminium gearbox.

Standard Inclusions: Contactor, Circuit breaker, Clutch Release and Manual Lift Handle.

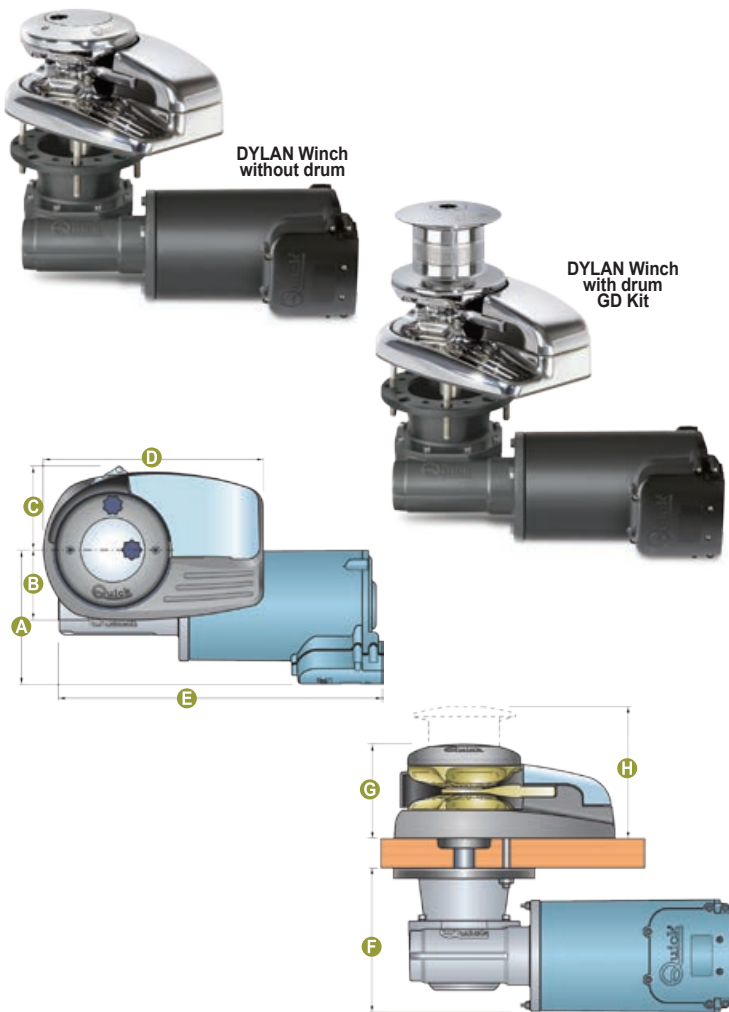
SPECIFICATIONS

Model	Watts	Amps under load	Voltage	Max. Working load (kg)	Chain speed M/Min at working load	Chain size Din766 (mm)	Rope size nylon 3-strand (mm)	Suggested boat size (m)	Contactor supplied	Circuit Breaker supplied (amps)
DH4 2000	2000	105	24	750	22.3	13	19mm / 3/4"	15-20	T6315-24	80

KITS

Order code	Description
DH4 2000	
QFSDN20240012A00	24v Kit
QFSDN2024D012A00	24v GD Kit

Other models available to order: Dylan R Series
Available in Stainless Steel DR4
For specifications see:
www.quicknauticalequipment.com



Model	Dimensions (mm)							
	A	B	C	D	E	F	G	H
DH4	170	87	105	277	407	180	118	189.5
DH4 2000 Deck Thickness: 30 - 70mm								

SWITCHING - Options

Order code	Description
Console	
QFP8000000000A00	Toggle Control Switch Up/Down
QFPWCS8100000A00	NEW! Rocker Control Switch Up/Down
Foot	
QFP900CB00000A00	Foot Switch Chain Washer Black (Blue Btn)
QFP900CW00000A00	Foot Switch Chain Washer White (Blue Btn)
QFP900DB00000A00	Foot Switch Anchor DOWN Black (Wht Btn)
QFP900DW00000A00	Foot Switch Anchor DOWN White (Wht Btn)
QFP900UB00000A00	Foot Switch Anchor UP Black (Red Btn)
QFP900UW00000A00	Foot Switch Anchor UP White (Red Btn)
Hand Held	
QFPHRC1002000C00	Handheld Remote 2Btn 1002
QFPHRC1002L00D00	Handheld Remote 2Btn+LED 1002L
Wireless	
QFR8100000000A00	External Antenna 433/434Mhz
QFRRRCH020000A00	Handheld Radio 2T (UpDwn)
QFRRRCP020000A00	Pocket Transmitter P02 (UpDwn)
QFRRRCR020000B00	Radio Receiver R02 - 2 Channel

ANCHOR RODES - Suggested only

Part No.	Description
Made to order	Chain Din766 13mm Short Link 19mm 3 strand Nylon Rope

For OPTIONS & ACCESSORIES see pages 32-38

DAVE Series DV5 Vertical Anchor Winch



SPECIFICATIONS

Model	Watts	Amps under load	Voltage	Max. Working load (kg)	Chain speed M/Min at working load	Chain size Din766 (mm)	Rope size nylon 3-strand (mm)	Suggested boat size (m)	Contactor supplied	Circuit Breaker supplied (amps)
2300X/Y/D	2300	120	24	850	23.3	13	19mm 3/4"	20-24	T6315-24	80
3000X/Y/D	3000	145	24	1200	19.3	13	19mm 3/4"	20-24	T6415-24	100

Features:

- Vertical windlasses
- AISI 316-grade stainless steel and aluminium base
- With and without drum
- Rope and chain on a single gypsy
- Manual Free-Fall system
- Integrated sensor and magnet for chain counter
- Supplied with pressure lever inspection lid
- Rated IP66 watertight, anodised aluminium gearbox
- All winches supplied standard with contactor and circuit breaker

KITS

Order code	Description
DV5 3000X/DY	X = Right chain pipe Y = Left chain pipe D = Drum
QFSDV2324DX12A00	DV5 2300DX GD Right Hand Chain Pipe 24v
QFSDV2324DY12A00	DV5 2300DY GD Left Hand Chain Pipe 24v
QFSDV23240X12A00	DV5 2300X Right Hand Chain Pipe 24v Without Drum
QFSDV23240Y12A00	DV5 2300Y Left Hand Chain Pipe 24v Without Drum

Other models available on request

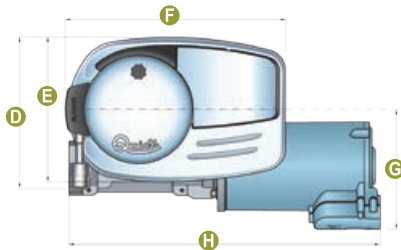
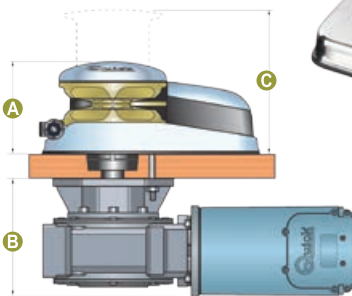
Visit: www.quicknauticalequipment.com



Dave X
Right Chain Pipe
(Without Drum)



Dave DY
Left Chain Pipe
(With Drum)



Model	Dimensions (mm)							
	A	B	C	D	E	F	G	H
DV5	173	205	277	239	228.4	348	178	520

DV5 Deck Thickness: 30 - 70mm

SWITCHING - Options

Order code	Description
Console	
QFP800000000A00	Toggle Control Switch Up/Down
QFPWCS810000A00	NEW! Rocker Control Switch Up/Down
Foot	
QFP900CB00000A00	Foot Switch Chain Washer Black (Blue Btn)
QFP900CW00000A00	Foot Switch Chain Washer White (Blue Btn)
QFP900DB00000A00	Foot Switch Anchor DOWN Black (Wht Btn)
QFP900DW00000A00	Foot Switch Anchor DOWN White (Wht Btn)
QFP900UB00000A00	Foot Switch Anchor UP Black (Red Btn)
QFP900UW00000A00	Foot Switch Anchor UP White (Red Btn)
Hand Held	
QFPHRC1002000C00	Handheld Remote 2Btn 1002
QFPHRC1002L00D00	Handheld Remote 2Btn+LED 1002L
Wireless	
QFR810000000A00	External Antenna 433/434Mhz
QFRRRCH020000A00	Handheld Radio 2T (UpDwn)
QFRRRCP020000A00	Pocket Transmitter P02 (UpDwn)
QFRRRCR020000B00	Radio Receiver R02 - 2 Channel

ANCHOR RODES - Suggested only

Part No.	Description
Made to order	Chain Din766 13mm Short Link 19mm 3 strand Nylon Rope

OTHER OPTIONS

Order code	Description
On Request	Brake control with Handwheel Remote Brake control with Hand wheel

For OPTIONS & ACCESSORIES
see pages 32-38

Vertical Capstan Windlass - Totem Series TM3 600/1000/1100



SPECIFICATIONS

Model	Watts	Amps under load	Voltage	Max. Working load (kg)	Drum speed M/Min at working load	Rope nylon or Yacht rope (mm)	Suggested boat size (m)	Contactor supplied	Circuit Breaker supplied (amps)
600	500	40	12	200	11.9	8-14	8-12	T6415-12	50
1000	800	80	12	290	16.8	8-16	11-14	T6415-12	80
1100	800	40	24	290	16.8	8-16	11-18	T6415-24	40

A rope-only winch that allows for easy installation.

- Suitable for general line hauling applications on larger boats.
- Circuit breaker and contactor supplied with winch.

Features:

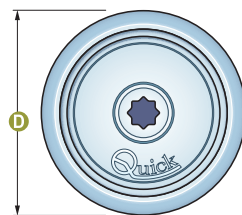
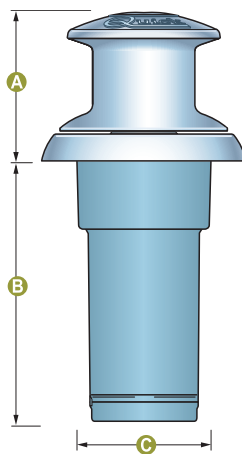
- Mounts easily in any deck thickness (stud dependent).
- Suitable for vertical or horizontal mounting.
- Patented epicyclical gearbox allows higher performance of the motor.
- Permanent magnet motor for greater output and reduced power consumption.
- IP66 watertight motor.
- AISI 316-grade Stainless Steel base.

Standard Inclusions:

- Clutch Release and Manual Lift Handle



For use with rope only.



Model	Dimensions (mm)			
	A	B	C	D
TM3	114	203	105	160

KITS

Order code	Description
TM3 600	
QFSTM30600120B00	500w 12v
TM3 1000	
QFSTM31001200A02	800w 12v
TM3 1100	
QFSTM31002400A02	800w 24v

SWITCHING - Options

Order code	Description
Console	
QFP8000000000A00	Toggle Control Switch Up/Down
QFPWCS8100000A00	NEW! Rocker Control Switch Up/Down
Foot	
QFP900CB00000A00	Foot Switch Chain Washer Black (Blue Btn)
QFP900CW00000A00	Foot Switch Chain Washer White (Blue Btn)
QFP900DB00000A00	Foot Switch Anchor DOWN Black (Wht Btn)
QFP900DW00000A00	Foot Switch Anchor DOWN White (Wht Btn)
QFP900UB00000A00	Foot Switch Anchor UP Black (Red Btn)
QFP900UW00000A00	Foot Switch Anchor UP White (Red Btn)
Hand Held	
QFPHRC1002000C00	Handheld Remote 2Btn 1002
QFPHRC1002L00D00	Handheld Remote 2Btn+LED 1002L
Wireless	
QFR8100000000A00	External Antenna 433/434Mhz
QFRRRCH020000A00	Handheld Radio 2T (UpDwn)
QFRRRCP020000A00	Pocket Transmitter P02 (UpDwn)
QFRRRCR020000B00	Radio Receiver R02 - 2 Channel



For **OPTIONS & ACCESSORIES** see pages 32-38



Windlass Options and Accessories



Switches

Circuit Breakers

Contactors



Remote Switches



Windlass Brake Controls



Wireless Remotes

Handheld Remote Switches



Chain Stoppers



Chain Counters



Foot Switches

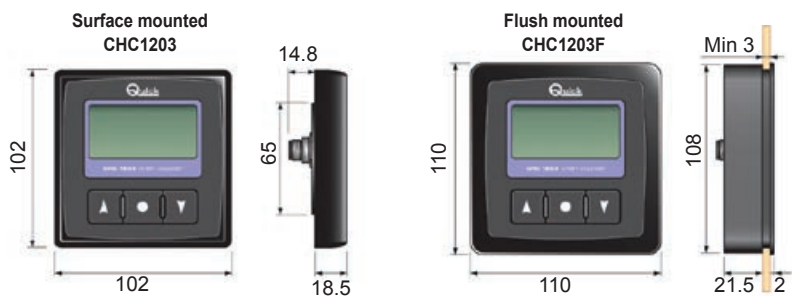


Windlass Options and Accessories

Quick Digital Chain Counters

CHC 1203 is a complete and reliable instrument to manoeuvre from a distance the windlass and controlling the length of chain lowered through the LCD display graphic.

- Chain counter for surface-mount and recessed installation.
- Supply voltage 9 ÷ 32 Vdc.
- Protection rating IP67.
- Automatic lowering function.
- Up alarm function.
- Locked keys function.
- Ability to control free fall windlass feature.
- Display information includes chain speed, supply voltage, depth of chain lowered shown in metres or feet.
- Graphic LCD display; can be easily read from any angle.
- Backlit display screen with 8 brightness levels.
- Backlit function keys.
- CAN bus interface for data transfer.



(Dimensions are in mm)

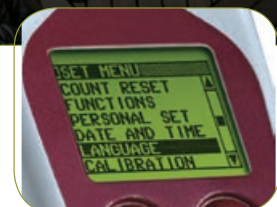
Part No.	Model	Mount Type	Volts (V)	Power Consumption
QFNCHC1202M00C00	CHC 1202	Surface	12/24	35MA (max)
QFNCHC1202MF0C00	CHC 1202F	Flush	12/24	35MA (max)

Up/Down Remote Switch with Chain Counter

Quick's hand held chain counter incorporates all the features of the CHC1202 digital dash mounted units into a hand held control. The hand held CHC1102M is connected via a curly cord which can extend up to 4.2 metres. The cable connects to the deck with a watertight deck plug and socket. The hand held unit is stored with a stowage mounted bracket.

Functions:

- Chain speed.
- Up alarm.
- Supply voltage.
- Up-down winch control.
- Automatic lowering function.
- Depth of chain lowered in metres or feet.
- Clock and calendar.
- LED torch for night use.
- Information in five languages.



Part No.	Model	Volts	Cable Length
QFNCHC1102M00C00	CHC 1102 M	12/24	Expandable to 4.2m



Windlass Options and Accessories

Hand Held Remote Controls - 12/24V

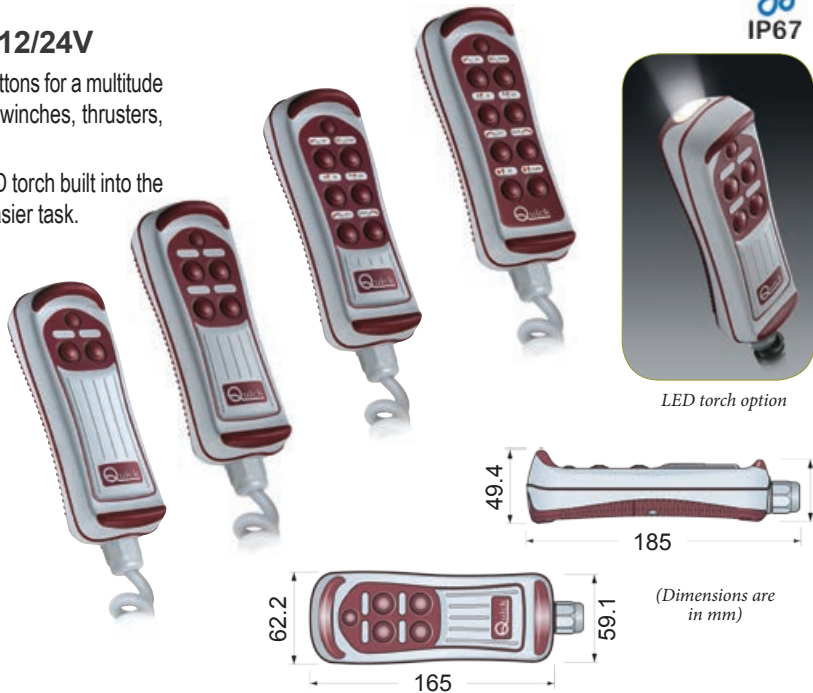
Quick offers hand held remotes with 2, 4, 6 and 8 buttons for a multitude of solenoid activated applications such as anchor winches, thrusters, cranes and davits.

- Additional option exclusive to Quick to have a LED torch built into the remote, making anchoring at night a safer and easier task.
- Cable extends up to 4.2 metres.
- Watertight IP67

Part No.	Model	Type
QFPHRC1002000C00	HRC 1002	2 buttons
QFPHRC1004000C00	HRC 1004	4 buttons
QFPHRC1006000C00	HRC 1006	6 buttons
QFPHRC1008000C00	HRC 1008	8 buttons

Remote Controls with LED lights

QFPHRC1002L00D00	HRC 1002 L	2 buttons
QFPHRC1004L00C00	HRC 1004 L	4 buttons
QFPHRC1006L00D00	HRC 1006 L	6 buttons
QFPHRC1008L00C00	HRC 1008 L	8 buttons



LED torch option

(Dimensions are in mm)

Watertight Remote Replacement Cables

Spare watertight connectors to suit above hand held remotes or any other switch application that needs to pass through a deck or bulkhead.

- Gold plated contacts ensure a long life and superior conductivity.
- The plug comes pre-wired with a 3.5m harness, the sockets come pre-wired with 300mm of wire and include a protective cap and gasket when the socket is not in use.
- Watertight IP67



QFVSCC71XX000A00
Replacement Watertight Cap and Gasket only



Socket with Dust Cap & Rubber Gasket



Plug Pre-Wired with 3.5m Curly Cord

Part No.	Poles	Suits Buttons
QFVSPSCHRC200A00	3	2
QFVSPSCHRC400A00	5	4
QFVSPSCHRC600A00	7	6
QFVSPSCHRC800A00	9	8

Socket with Dust Cap and Rubber Gasket

QFVSPSCHRC200A00	3	2
QFVSPSCHRC400A00	5	4
QFVSPSCHRC600A00	7	6
QFVSPSCHRC800A00	9	8

Watertight Electrical Connectors

Black plastic deck mounted plug and socket connectors from Quick are fully waterproof. Contacts are gold plated to produce a high current rating and low resistance.

- Comes complete with plug & socket, choice of 3 different size cable gaskets, screw tight cap and rubber gasket connects to the base for watertight seal when removing the plug plus 4 fixing screws to secure in place.
- Watertight IP67



Gold-plated contacts

(Dimensions are in mm)

Part No.	Voltage	Model	Poles	Amps
QFC7103000000A00	48	7103	3	12A
QFC7105000000A00	48	7105	5	7A
QFC7106000000A00	48	7106	6	6A
QFC7107000000A00	48	7107	7	5A
QFC7108000000A00	48	7108	8	4A
QFC7109000000A00	48	7109	9	4A
QFC7110000000A00	48	7110	10	3A
QFC7112000000A00	48	7112	12	3A

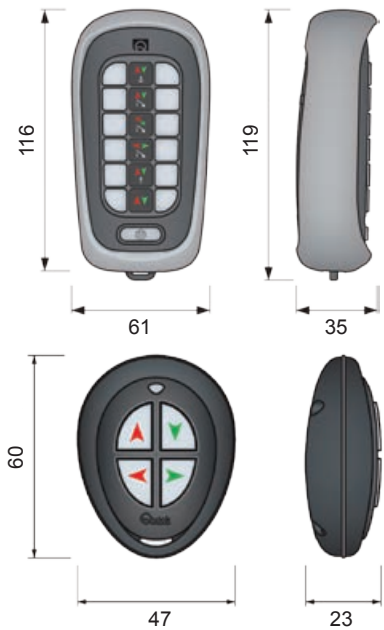


Windlass Options and Accessories

Hand Held RRC - Radio Remote Controls

Pocket transmitter used to control your vessels anchor winches, thrusters, cranes and davits from anywhere on your vessel, giving you the flexibility to step away from the confines of the helm for a better view when docking or have someone else in control.

- To be used in conjunction with radio receivers.
- Both hand and pocket remotes are IP67 watertight and come with a lanyard.
- Possibility to control more receivers with one transmitter.
- Two functions can be activated at the same time.
- Floating.



(Dimensions are in mm)



Pocket Fobs



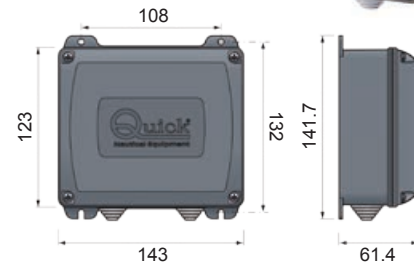
Hand held

Part No.	Model	Channels
QFRRRCP020000A00	P02	2
QFRRRCP040000A00	P04	4
QFRRRCH020000A00	H02	2
QFRRRCH040000A00	H04	4
QFRRRCH120000A00	H12	12

Quick RRC Radio Receivers

Standard Radio Receivers are in 2 and 4 channel configurations. (More channels units are listed below)

- Can be programmed to receive signals from multiple transmitters allowing for multiple applications per unit.
- External antenna to boost the range can be supplied on request.
- Watertight IP55.



(Dimensions are in mm)

Part No.	Model	Channels
QFRRRCR020000B00	R02	2
QFRRRCR040000B00	R04	4
QFRRRCR060000B00	R06	6
QFRRRCR080000B00	R08	8
QFRRRCR100000B00	R10	10
QFRRRCR120000B00	R12	12



Windlass Options and Accessories

Watertight Cable Outlets

Black plastic electrical cable outlet, designed to withstand corrosion and humidity. Used when running cables throughout your boat. Designed to keep a watertight seal when penetrating through decks.



- Comes complete with cable base, cap, rubber gasket to seal and 3x stainless steel fixing screws.

Part No.	Suits Cable Size (mm)	Dimensions (mm) (W x H)
QFC8111000000A00	5 - 10	48 x 38
QFC8113000000A00	7 - 12	48 x 39
QFC8116000000A00	10 - 14	48 x 40

Up/Down Control Panel Switch - 12/24V

Momentary, on-off-on, waterproof panel mounted toggle switch with black plastic backing plate, grey plastic face plate and a rubber boot. Suitable for use in multiple station installations.

- Used in conjunction with solenoids in heavy power demand applications.

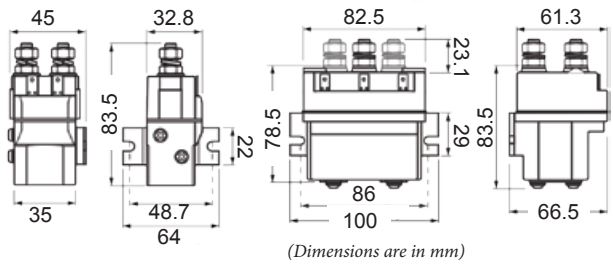
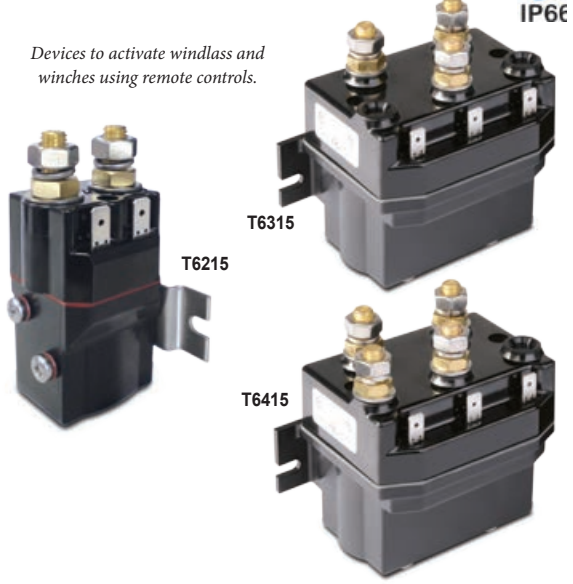


Part No.	Model
QFP8000000000A00	800

Solenoids and Reversing Solenoids

These replacement contactor and reversing contactor units suit the Quick range of products but are capable of operating electric motors for windlasses and capstans for all permanent and series motors. Their external connections are very easy to install.

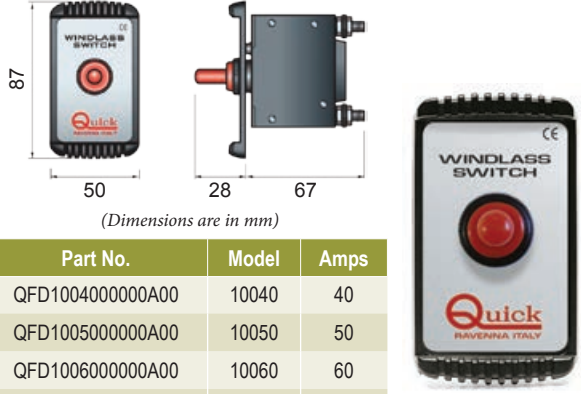
- All solenoids rated to 150amps and IP66 water protection.



Part No.	Model	Motor Type	Volts
QFTT621512000B00	T6215-12	Series	12
QFTT621524000B00	T6215-24	Series	24
QFTT631512000B00	T6315-12	Series	12
QFTT631524000B00	T6315-24	Series	24
QFTT641512000B00	T6415-12	Permanent	12
QFTT641524000B00	T6415-24	Permanent	24

Hydraulic Magnetic Circuit Breaker - 12/24V

Replacement, hydraulic magnetic circuit breakers for the Quick range of anchor winches. Quick circuit breakers are "slow blow" hydraulic magnetic, offering the highest protection when using direct currents. Easy manual reset, suitable up to 80V DC. Matches Quick remote up/down panel switch.

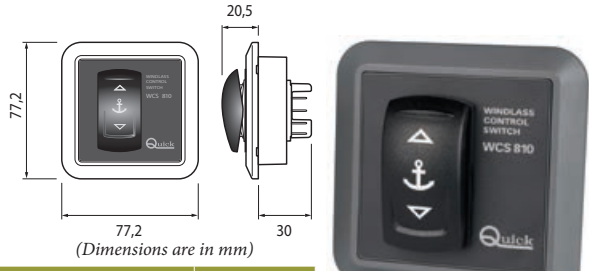


Part No.	Model	Amps
QFD1004000000A00	10040	40
QFD1005000000A00	10050	50
QFD1006000000A00	10060	60
QFD1008000000A00	10080	80
QFD1010000000A00	10100	100

Up/Down Control Panel Switch - 12/24V

New! Momentary, on-off-on, rocker switch type switch panel. Suitable for use in multiple station installations.

- Used in conjunction with solenoids in heavy power demand applications.



Part No.	Model
QFPWCS8100000A00	WCS810

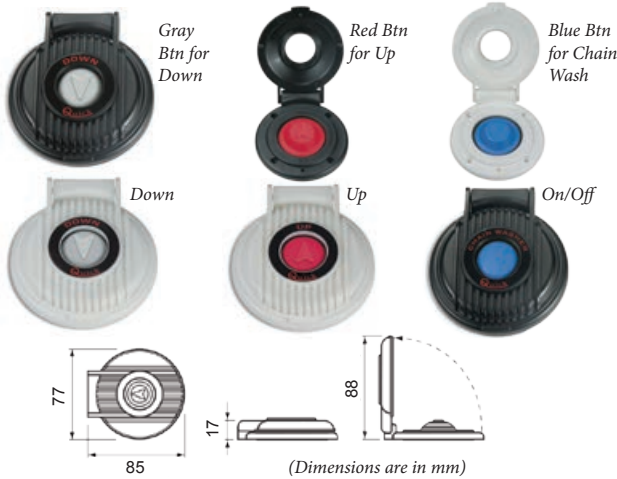


Windlass Options and Accessories

Foot Switches 900 - 12/24V

Moulded plastic foot switches with hinged covers to prevent accidental foot operation, but still allowing finger operation when required.

- Raised arrow and colour coded rubber boot over the momentary switch denotes direction. Must be used in conjunction with a solenoid.

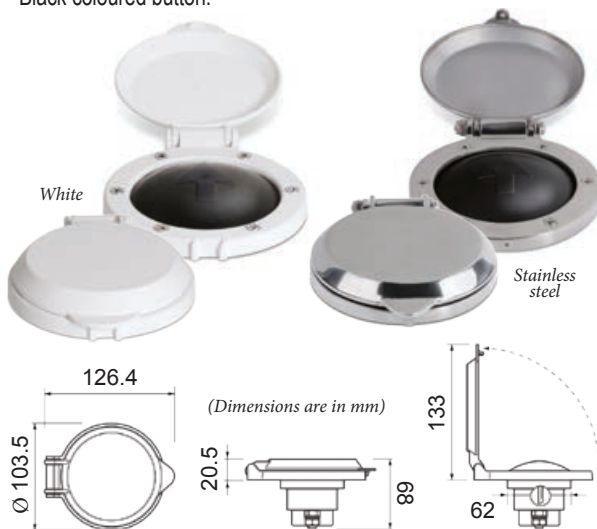


Part No.	Colour	Switch Operation
QFP900DB00000A00	Black housing (gray button)	Down
QFP900DW00000A00	White housing (gray button)	Down
QFP900UB00000A00	Black housing (red button)	Up
QFP900UW00000A00	White housing (red button)	Up
QFP900W000A00	White housing (blue button)	On/Off
QFP900B000PA00	Black housing (blue button)	On/Off

Foot Switches 915 - 12/24V

Quick foot switches with full covers and hinge opening to prevent accidental operation. Raised black rubber boots with arrows to denote direction which are adjustable UP/DOWN for indication over the momentary switch.

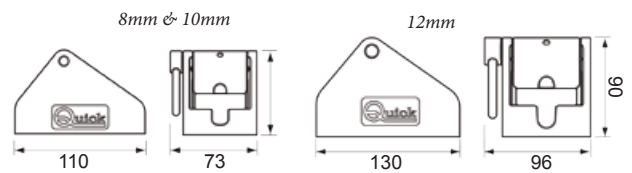
- Must be used in conjunction with a solenoid.
- Black coloured button.



Part No.	Colour	Direction
QFP915CW00000A00	White	Up/Down
QFP915CX00000A00	Stainless Steel	Up/Down

Chain Stopper

- Made from polished 316-grade stainless steel.
- The chain stopper is designed to take tension off your anchor winch.
- Front pawl flips up when not in use.
- Three sizes available to suit chain sizes, 8mm, 10mm, 12mm.



Part No.	Chain Size (mm)
QFSCHST110008A00	8
QFSCHST110010A00	10
QFSCHST130012A00	12

(Dimensions are in mm)

Chain Stopper Safety Strap

Prevents the anchor from deploying if it is unintentionally released or powers out accidentally. The strap is made from plastic coated stainless steel wire rope with shackle clip which connects to your chain and eye bolt to secure to your deck.



Replacement Quick Windlass Handles

Anchor winch handles used to release the clutch. Standard hexagon pattern to suit most anchor winches. Available in 2 types.



Part No.	Shape	Material
QFVSSLVSDN000A00	Straight	Nylon
QFVSSLVSP00R1A00	Bent	Aluminium



Windlass Options and Accessories

Rope / Chain Gypsies

Replacement gypsies to suit Quick anchor winches and DIN766 link chain. All gypsies include a magnetic sensor for use with Quick digital chain counters.

- Other model gypsies available upon request.



Part No.	Chain Size (mm)	Suits Quick Winches	Part No.	Chain Size (mm)	Suits Quick Winches
QFVSSB0706G0MA00	6	Genius Gp2 1200	QFVSSB3010382A00	10	Dave 1700/2000/2300/3000
QFVSSB0708G0MA00	8	Genius Gp2 1200	QFVSSB3012132A00	12-13	Dave 1700/2000/2300/3000
QFVSSB0708G00A00	8	Genius Gp2 500/1200	QFVSSB3014002A00	14	Dave 1700/2000/2300/3000
QFVSSB100851HA00	8	Hector 1000/1500	QFVSSBDP20600A00	6	Prince Dp2 300/500/700/1000
QFVSSB101038HA00	10	Hector 1000/1500	QFVSSBDP20800A00	8	Prince Dp2 300/500/700/1000
QFVSSB151038A00	10	Dylan 1500/1700/2000	QFVSSBDP31038A00	10	Prince Dp3 700/1000/1500
QFVSSB1512130A00	12-13	Dylan 1500/1700/2000	QFVSSBDP38516A00	8	Prince Dp3 700/1000/1500

Anchor Rope/Chain Kits - for Windlasses

Anchor rope and chain kits, 3 strand nylon rope pre-spliced to short link chain to suit anchor windlasses.

- Note: Galvanised short link chain is calibrated to suit Quick Windlasses.

Part No.	Chain Size (mm x m)	Rope Size (mm x m)
JPW1020	6 x 10	12.7 x 50
JPW1021	6 x 20	12.7 x 100
JPW1022	8 x 10	14.2 x 50
JPW1023	8 x 10	14.2 x 100
JPW1024	8 x 10	12.7 x 50
JPW1025	8 x 10	12.7 x 100



See S1, page 13 for Chain Specifications

Windlass Brake Control with Handwheel

Stainless steel brake control with handwheel in direct version

- For use with Dave, Roy and Duke anchor winches.



Part No.
QFSRBDV00000A00

Windlass Brake Control with Handwheel for Remote Installation

Stainless steel brake control with handwheel and flexible cable for remote installation.



Part No.
QFSRBDK00000A00

Viper Pro Series II Anchor Drum Winch Bundles - MICRO 1000, PRO 1000 & PRO 1500

The Viper range of drum winches from Bell Marine are bundled together with all the extra products for a complete package. Now available in both aluminium or new 316-grade stainless steel gear box. Each winch has a rope kit selection.

Model	Watts	Voltage	Max load	Weight	Chain speed at Max Fall	Chain speed at Max Retrieval	Chain size Short link	Suggested boat size (m)	Rev. Solenoid supplied	Circuit Breaker supplied
1000 Micro	1000w	12v	180kg	13kg	45mpm	36mpm	6m x 6mm	4-8	200A	100A
1000 Pro	1000w	12v	195kg	15kg	50mpm	41mpm	8m x 6mm	5.7 Plus	200A	100A
1500 Pro	1500w	12v	360kg	28kg	50mpm	46mpm	10m x 8mm	8 Plus	400A	100A

WINCH - BUNDLES

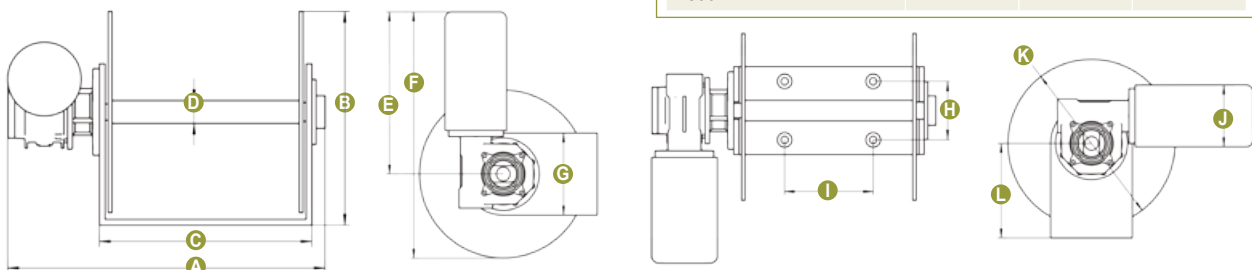
Order code	Gear Box	Rope Kit
1000 MICRO SERIES		
JPW12850	Aluminium	60mtrs of 6mm Double Braid Rope
JPW12854	Aluminium	100mtrs of 4mm Hi Spec 3000 Rope
JPW12852	Stainless Steel	60mtrs of 6mm Double Braid Rope
JPW12855	Stainless Steel	100mtrs of 4mm Hi Spec 3000 Rope
1000 PRO SERIES II		
JPW12856	Aluminium	75mtrs of 8mm 3 Strand Nylon Rope
JPW12858	Aluminium	100mtrs of 6mm Double Braid Rope
JPW12860	Aluminium	200mtrs of 5mm Hi Spec 3000 Rope
JPW12857	Stainless Steel	75mtrs of 8mm 3 Strand Nylon Rope
JPW12859	Stainless Steel	100mtrs of 6mm Double Braid Rope
JPW12861	Stainless Steel	200mtrs of 5mm Hi Spec 3000 Rope
1500 PRO SERIES		
JPW12862	Aluminium	200mtrs of 6mm Double Braid Rope
JPW12863	Aluminium	100mtrs of 8mm 3 Strand Nylon Rope

WINCH BUNDLES include:

No.	Description
1x	Viper Pro Anchor Winch with 1mtr of 3 B&S Power Lead & Joining Connectors
1x	Rope kit of choice spliced to short link chain
1x	Anchor Swivel
1x	Bow Roller
1x	Reversing Solenoid
1x	Rocker Switch On/Off/On mom. LED Illuminated
1x	Rocker Switch Cover "Anchor" Symbol
1x	Circuit Breaker 100 or 135A with Rubber Seal
1x	Single Switch S/S Face Plate
1x	Combo Switch & Circuit Breaker S/S Face Plate
1x	5mm S/S Sandwich Plate
1x	All fixing hardware & install notes and wiring diagram

VIPER PRO WINCH OPTIONAL EXTRAS

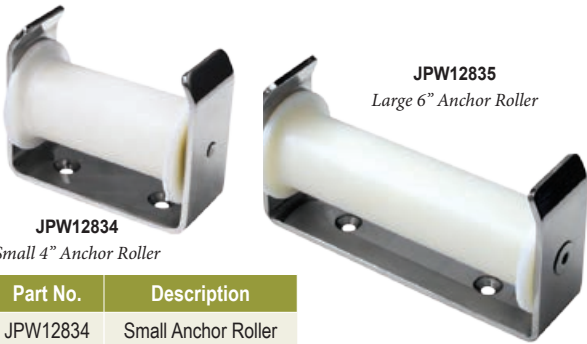
Description	MICRO	Pro 1000	Pro 1500
Alloy Fitment Kit for Aluminium Boat Installs	JPW12822	JPW12823	JPW12824
Chain Sock to suit 6-8mm Short Link Chain	JPW12840	JPW12841	JPW12842
Small or Large Hawse Pipe	JPW12838 Small	JPW12838 Small	JPW12839 Large
Bow Roller Single Roller Self-Launching	JPW12832	JPW12832	-
Deluxe Bow Roller - 3 Roller Self Launching	-	JPW12834	JPW12834
Custom Wiring Loom suit Boats up-to 6mtrs	JPW12865	JPW12865	-
Custom Wiring Loom suit Boats up-to 8mtrs	JPW12866	JPW12866	-
Custom Wiring Loom suit Boats up-to 9mtrs	-	-	JPW12867
Motor Upgrade Pro 1500 to 2500w 24v	-	-	JPW12872



Model	Dimensions (mm)											
	A	B	C	D	E	F	G	H	I	J	K	L
1000 Micro	321	210	192	28	330	237	120	80	100	90°	198°	115
1000 Pro	389	261	260	28	360	237	120	80	121	90°	245°	138
1500 Pro	485	313	315	30	520	270	145	80	160	125°	300°	163

Viper Pro Deluxe Anchor Rollers

316-grade stainless steel anchor rollers made from 5mm plate.
 • Hand polished to a mirror finish.



JPW12834
Small 4" Anchor Roller

JPW12835
Large 6" Anchor Roller

Part No.	Description
JPW12834	Small Anchor Roller
JPW12835	Large Anchor Roller

Viper Pro Deluxe 3 Roller Bow Roller

Self-launching and designed to fit most plough anchors, each bow roller is made from 5mm plate 316-grade stainless steel with a mirror polish.



Part No.	Description
JPW12830	Small Bow Roller - L370 x W70 x H210mm
JPW12831	Large Bow Roller - L500 x W100 x H250mm

Viper Pro Deluxe Single Bow Roller

316-grade stainless steel mirror polished, self-launching and suitable to fit almost any anchor.



Part No.	Description
JPW12832	Single Bow Roller - L510 x W85 x H200mm

Viper Pro Hawse Pipe

316-grade stainless steel hand polished hawse pipes ideal for use when winch is mounted below deck.



Part No.	Description
JPW12838	Small Hawse Pipe - 76° x H140 x D140mm
JPW12839	Large Hawse Pipe - H130 x W260 x D107mm

Rope & Chain Kits to suit Drum Winches

Rope and chain kits have been selected to suit the drum size of model. Rope kits are pre-spliced short link chain.



Part No.	Rope	Chain	Suits Winch
JPW12810	75mtrs of 8mm 3 Strd Nylon	8m of 6mm	1000 Pro
JPW12811	100mtrs of 8mm 3 Strd Nylon	10m of 8mm	1500 Pro
JPW12815	200mtrs of 8mm Dble Braid	10m of 8mm	1500 Pro
JPW12814	60mtrs of 6mm Dble Braid	6m of 6mm	1000 Micro
JPW12818	100mtrs of 4mm Hi Spec 3000	6m of 6mm	1000 Micro
JPW12819	200mtrs of 5mm Hi Spec 3000	6m of 6mm	1000 Pro

Alloy Boat Fitment Kit

Viper winch electrolysis insulation kit includes, 2x HD plastic winch sandwich plates, anchor roller insulation and insulation spaces for each bolt, aluminium switch face plate insulation instructions - a must for every alloy boat!



Part No.	Description
JPW12822	Aluminium Fitment Kit suit MICRO 1000 Winch
JPW12823	Aluminium Fitment Kit suit PRO 1000 Winch
JPW12824	Aluminium Fitment Kit suit PRO 1500 Winch

Wiring Looms

Custom wiring looms to suit Viper Pro MICRO, 1000 & 1500 winches.



Part No.	Description	Suits Winches
JPW12865	Looms suits Boats up to 6mtrs	MICRO/1000
JPW12866	Looms suits Boats up to 8mtrs	MICRO/1000
JPW12867	Looms suits Boats 9mtrs & under	1500

Chain Socks

Polyester blend braided chain socks to suit 6 or 8mm short link chain.



New Fluro Green available on request.

Part No.	Description	Suits Winch
JPW12840	8mtrs of Chain Sock suit 6mm Short Link	MICRO
JPW12841	10mtrs of Chain Sock suit 6mm Short Link	PRO 1000
JPW12842	12mtrs of Chain Sock suit 8mm Short Link	PRO 1500

ROPE 03

ANCHOR ROPES & MOORING ROPES

Docklines	43
Double Braid	43
Nylon Rope	42
Polyester Rope	43
Silver Rope.....	42

ROPE TOOLS

Hot Knife	44
Rope Splicing Fids.....	45

YACHTING ROPES & CORDS

Dinghy Line	44
Shock Cord	44
Starter Cord	44
VB Cord	44
Yachting Ropes	45



Anchor Ropes - 50m Coils

Silver rope is extremely versatile for fishing and marine applications and is most commonly used as anchor rope in trailer boats. Silver rope will float with slack line for easy pickup of mooring lines.

- 100% polyethylene staple and UV-stabilised for the marine environment.
- Made to Australian standards AS4142.2-1993.
- 50m coils supplied with stainless steel thimble spliced at one end.



Part No.	Dia (mm)	Length (m)	Breaking Strain (kg)
JPW600	6	50	390
JPW601	8	50	680
JPW602	10	50	1050
JPW603	12	50	1250
JPW604	14	50	1580

Anchor Ropes - Hanks

Silver rope is extremely versatile for fishing and marine applications and is most commonly used as anchor rope in trailer boats. Silver rope will float with slack line for easy pickup of mooring lines. 100% polyethylene staple and UV-stabilised for the marine environment. Made to Australian standards AS4142.2-1993.

- Supplied in hanks for easy storage on shelf.
- 50m hanks supplied with stainless steel thimbles spiced at one end.



Part No.	Dia (mm)	Length (m)	Breaking Strain (kg)
JPW627	8	50	600
JPW628	10	50	940

Silver Ropes - Spools

Silver rope is extremely versatile for fishing and marine applications and is most commonly used as anchor rope in trailer boats. Silver rope will float with slack line for easy pickup of mooring lines. 100% polyethylene staple and UV-stabilised for the marine environment.

- Made to Australian standards AS4142.2-1993.
- Spool sizes make it easy to cut into lengths.



Part No.	Dia (mm)	Length (m)	Breaking Strain (kg)
JPW606	6	250	370
JPW607	8	200	600
JPW608	10	150	940

Silver Ropes - Large Coils

Silver rope is extremely versatile for fishing and marine applications and is most commonly used as anchor rope in trailer boats. Silver rope will float with slack line for easy pickup of mooring lines. 100% polyethylene staple and UV-stabilised for the marine environment. Made to Australian standards AS4142.2-1993

- Resistant to grease, oil and water.
- High abrasion resistance and soft, medium lay for easy splicing.



Part No.	Dia (mm)	Length (m)	Breaking Strain (kg)
JPW626	6	250	390
JPW625	8	200	680
JPW612	10	250	1050
JPW609	12	100	1250
JPW613	12	250	1250
JPW614	14	250	1580
JPW615	16	125	2080
JPW616	18	125	2560
JPW617	20	125	3200
JPW618	22	125	3690
JPW619	24	125	4310
JPW620	28	125	5830
JPW621	32	125	7620
JPW622	36	125	9630

Nylon Ropes - 3 Strand

High quality nylon rope using 100% high strength nylon fibres which has nearly double the strength of silver rope.

- Excellent high resistance against abrasions and has great elasticity.
- Uses as a high strength anchor rope and general purpose.
- Made to Australian Standards (AS4142.2).



Nylon rope does not float.

Suitable for rope chain gypsy on anchor winches

Part No.	Dia (mm)	Length (m)	Breaking Strain (kg)
JPW645	12	50	3200
JPW646	12	100	3200
JPW648	12	200	3200
JPW647	14	50	4380
JPW649	14	100	4380
JPW650	16	100	5700
JPW651	18	100	7100

Polyester Ropes - 3 Strand Black

High quality polyester rope, sold by the roll; ideal for use as dock lines or for high strength anchor line.

- The line is soft to the hand and easy to handle.
- This rope has great abrasion resistance and high elasticity and strength.



Suitable for rope chain gypsy on anchor winches

Part No.	Dia (mm)	Length (m)	Breaking Strain (kg)
JPW663	12	100	1500
JPW664	12	200	1500
JPW665	14	100	2700
JPW666	16	100	3000
JPW667	18	150	4200

Nylon Ropes - 8 Strand

Nylon is commonly used in the marine industry with electric anchor winches.

- Has the best handling properties compared to other synthetic ropes.
- High elongation under load, high energy absorption under shock and good abrasion resistance.



Suitable for rope chain gypsy on anchor winches

Part No.	Dia (mm)	Length (m)	Breaking Strain (kg)
JPW652	12	100	2940
JPW653	14	100	4020

Fender Lanyards - Double Braided Polyester

Fender lines/ lanyards made from high quality UV-stabilised 16-strand double braid black polyester.

- Professionally hand-spliced 300mm loop with whipped end to prevent fray.
- Soft on hands and easy to handle.



Part No.	Dia (mm)	Length (m)	Breaking Strain (kg)
JPW6862	10	2	1600
JPW6863	14	2	2900
JPW6864	14	3	2900

Dock Lines - Double Braided Polyester

Dock lines made from high quality UV-stabilised 16-strand double braid black polyester.

- Each length has a professionally hand-spliced 300mm loop with whipped end to prevent fray.
- The double braid polyester line is very strong and soft to handle.
- Pre-made in various lengths to suit your requirements.



Part No.	Dia (mm)	Length (m)	Breaking Strain (kg)
JPW6850	10	6	1600
JPW6851	10	10	1600
JPW6852	12	6	2000
JPW6853	12	10	2000
JPW6854	14	10	2900
JPW6855	14	15	2900
JPW6856	16	10	3800
JPW6857	16	15	3800
JPW6858	18	10	4500
JPW6859	18	16	4500
JPW6860	20	16	5100

Dock Lines - Double Braided Nylon

White double braided nylon rope.

- Soft and easy to handle, has great elasticity, good abrasion resistance and high strength.
- Dock lines are spliced with a large loop on one end to throw over a cleat or bollard.



Part No.	Dia (mm)	Length (m)	Breaking Strain (kg)
JPW6875	10	3	1587
JPW6870	10	4.5	1587
JPW6876	10	6	1587
JPW6871	10	7.6	1587

Shock Cord

Superior quality marine-grade shock cord featuring polyester yarn outer covering and pure natural latex rubber ribbon interior.

This quality shock cord has high stretch capability, UV resistance, is extremely durable, colour-fast and won't absorb water.



- Supplied in 50 & 100m flanged reels.
- Shock cord is NOT bungy cord. It has no break strain rating. Do not overstretch.

Part No:	Colour	Dia (mm)	Length (m)
JPW13179	Black	3	100
JPW13180	White/Blue	3	100
JPW13181	White/Blue	4	100
JPW13182	Black	4	100
JPW13183	White/Blue	5	100
JPW13184	Black	5	100
JPW13185	White/Blue	6	100
JPW13186	Black	6	100
JPW13187	White/Blue	7	100
JPW13188	Black	7	100
JPW13189	Black	8	100
JPW13189B	Black	8	50
JPW13190	White/Blue	8	100
JPW13191	White/Blue	10	50
JPW13192	Black	10	50

Nylon Starter Cord - White

- Motor starter cord.
- Plaited nylon cord for outboard motors.



Part No:	Dia (mm)	Length (m)
JPW13000	3	100
JPW13010	4	100
JPW13020	5	100

Dinghy Lines - 8 Strand

8-strand dinghy line, braided sheen finish rope, in natural white or black. White rope is made from polyester, black is made from UV treated polypropylene.



- Ideal for dinghy control lines, flag halyards, etc.

Part No:	Colour	Dia (mm)	Length (m)	Break Strain
JPW13249	Natural	4	400	318kg
JPW13250	Natural	5	250	507kg
JPW13253	Black	5	250	507kg
JPW13251	Natural	6	250	710kg
JPW13252	Natural	8	200	1490kg

VB Cord - 8 Strand

VB cord 2, 2.5 & 3mm diameter 8-strand solid colour UV-treated polypropylene VB cord.

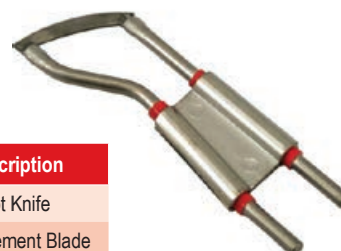


Part No:	Colour	Dia (mm)	Length (m)
JPW13100	Various	2	100
JPW13101	Various	2	500
JPW13110	Yellow	2.5	100
JPW13111	Natural	2.5	100
JPW13112	Blue	2.5	100
JPW13113	Red	2.5	100
JPW13114	Black	2.5	100
JPW13115	Various	2.5	500
JPW13116	Natural	2.5	1000
JPW13117	Yellow	3	100
JPW13118	Black	3	100
JPW13119	Blue	3	100
JPW13120	Red	3	100
JPW13121	Green	3	100
JPW13122	Natural	3	100
JPW13123	Natural	3	500
JPW13124	Red	3	500
JPW13125	Yellow	3	500
JPW13126	Black	3	500
JPW13127	Green	3	500

Hot Knife

60 watt hot knife rope cutter comes with R blade, wire cleaning brush.

- Heat seals rope to avoid fraying ends.



Part No:	Description
JPW10010	Hot Knife
JPW10011	Replacement Blade

Polyester Yacht Ropes - 16 Strand Double Braid

Double braid is extremely strong, flexible, and has a low stretch factor, whilst remaining soft and easy to handle, making it ideal for sheet lines, halyards, control lines or general uses.

- It has a plaited polyester core and sheen cover made from continuous filament 16-strand polyester.



Part No:	Colour	Dia (mm)	Length (m)	Break Strain
JPW14148	White/Blue	6	200	990kg
JPW14149	White/Green	6	200	990kg
JPW14150	White/Gold	6	200	990kg
JPW14151	White/Red	6	200	990kg
JPW14153	White/Gold	8	200	1600kg
JPW14154	White/Blue	8	200	1600kg
JPW14155	White/Green	8	200	1600kg
JPW14156	White/Red	8	200	1600kg
JPW14157	White/Gold	10	100	2200kg
JPW14158	White/Red	10	100	2200kg
JPW14159	White/Blue	10	100	2200kg
JPW14160	White/Green	10	100	2200kg
JPW14161	White/Gold	12	100	3400kg
JPW14163	White/Green	12	100	3400kg
JPW14164	White/Red	12	100	3400kg
JPW14165	White/Blue	12	100	3400kg
JPW14166	White/Red	14	100	4800kg
JPW14167	White/Blue	14	100	4800kg
JPW14168	White/Gold	14	100	4800kg

Rope Splicing Fids

Stainless steel hollow groove splicing fids, to assist in splicing ropes.

- Solid plastic handle.



Part No:	Dimensions; L x W (mm)
JPW10012	170 x 20
JPW10013	280 x 32

Spectra Ropes

High strength, high performance, lightweight, very low stretch rope.

- Made from the finest materials - 100% polyester jacket with extremely low stretch spectra core.
- Ideal for halyards, sheets, control lines, kite boarding lines, anywhere low stretch and high strength is required.
- Variety of bright attractive solid colours - all with black trace.
- Size ranges from 2mm to 8mm, in 100 metre flanged reels.



Part No:	Colour	Dia (mm)	Length (m)	Break Strain
JPW14005	Red	2	100	260kg
JPW14006	Yellow	2	100	260kg
JPW14007	Green	2	100	260kg
JPW14008	Blue	2	100	260kg
JPW14009	Black	2	100	260kg
JPW14010	Red	3	100	400kg
JPW14011	Yellow	3	100	400kg
JPW14012	Green	3	100	400kg
JPW14013	Blue	3	100	400kg
JPW14014	Black	3	100	400kg
JPW14015	Red	4	100	900kg
JPW14016	Yellow	4	100	900kg
JPW14017	Green	4	100	900kg
JPW14018	Blue	4	100	900kg
JPW14019	Black	4	100	900kg
JPW14020	Red	5	100	970kg
JPW14021	Yellow	5	100	970kg
JPW14022	Green	5	100	970kg
JPW14023	Blue	5	100	970kg
JPW14024	Black	5	100	970kg
JPW14025	Red	6	100	1700kg
JPW14026	Yellow	6	100	1700kg
JPW14027	Green	6	100	1700kg
JPW14028	Blue	6	100	1700kg
JPW14029	Black	6	100	1700kg
JPW14030	Red	8	100	3300kg
JPW14031	Yellow	8	100	3300kg
JPW14032	Green	8	100	3300kg
JPW14033	Blue	8	100	3300kg
JPW14034	Black	8	100	3300kg

HOW TO ORDER

Select products from the catalogue or through our website using the product categories or search function. Make note of the part numbers to facilitate ordering.

ONLINE



Login to our website with your customer username & password.

www.jpwmarine.com.au

If you know our product codes, use the 'Quick Order' form for a speedy checkout.

PHONE



Call us during standard Western Australian business hours on

(08) 6253 3000

to place order by phone.

EMAIL



Email your order to

orders@jpwmarine.com.au



JPW MARINE

AUSTRALIA'S LEADING BOATING AND MARINE WHOLESALER

HULL, DECK, CABIN HARDWARE & COVERS 04

HULL & DECK HARDWARE

Boat Registration Numbers & Letters	73
Bollards	49
Bow Rollers	48 - 49
Bungs & Plugs	55 - 57
Canopy Fittings	67 - 69
Deck Fillers	52
Drink Holders	66
Fairleads & Cleats	50 - 51
Flag Pole & Antenna Bases	71
Fuel Breathers	51
Glove Boxes	66
Hand Rails	64
Hawes Pipes	50
Inspection Ports / Deck Plates	53 - 55
Louvres & Vents	64 - 65
Pad Eyes	64

Rail Fittings	70
Rocket Launchers	76
Rod Holders	58 - 60
Rod Inserts	57
Steps & Ladders	72 - 73
Stop Gull Products	74 - 75
Storage Cases	65
Transducer Brackets	61
Trim Rings & Slop Stoppers	57
Well Drains & Scuppers	55

COVERS / BIMINIS

Biminis - 3 & 4 Bow	76
T Tops	77
Covers – Boats	77 - 79
Covers – Outboard Motors	80 - 81

CABIN HARDWARE

Barrel Bolts	64
Handles	64
Hinges	63
Latches, Catches & Lift Rings	61 - 62



Bow Roller 4-Inch Stainless Steel

Made with cast marine-grade stainless steel. Easy retrieval and laying of anchor rope when used with a drum winch.

- Supplied with blue nylon roller.



Part No.	Size		Dimensions W x D x H (mm)
	(in)	(mm)	
JPW4122	4	95	110 x 85 x 97

Viper Pro Deluxe Anchor Rollers

316-grade stainless steel anchor rollers made from 5mm plate.

- Hand polished to a mirror finish.



Part No.	Description
JPW12834	Small Anchor Roller
JPW12835	Large Anchor Roller

Small Bow Roller - Stainless Steel without Pin

Small 304-grade heavy duty stainless steel fixed bow roller.

- Three 9mm fixing holes and black roller.

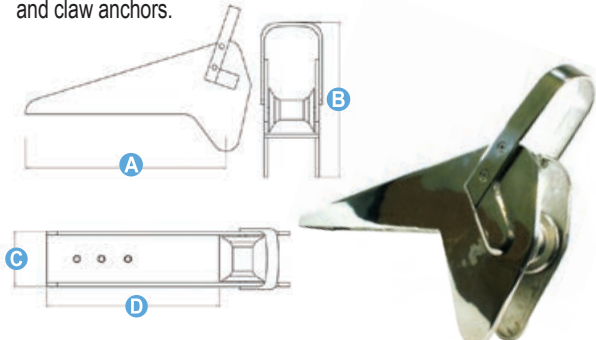


Part No.	Total Length (mm)	Base Dimensions L x W (mm)	Roller Width (mm)
JPW4098	170	100 x 50	30

Cast Stainless Steel Bow Roller

Cast 316-grade stainless steel bow rollers finished to a high polish.

- Saddle strap to retain anchor and rode during recovering anchor.
- Designed for use with danforth anchors, delta anchors, plow anchors and claw anchors.



Part No.	Anchor Size (kg)	A x C x Width (mm)	B (mm)
JPW4221	10	380 x 196 x 67	261
JPW4222	15	480 x 240 x 75	300
JPW4223	20	590 x 235 x 78	340
JPW4224	30	590 x 240 x 78	340

Bow Roller - Self-Launching Stainless Steel

Heavy duty marine-grade stainless steel.

- Designed to handle Delta 6-10kg anchors, Rocna Standard 4-10kg anchors and Rocna Fisherman 4-6 anchors.



Part No.	Dimensions L x H x W (mm)	For Delta Anchors (kg)	For Rocna Standard (kg)	For Rocna Fisherman (kg)
JPW4231	420 x 76 x 70	6-10	4-6	4-6
JPW4232	600 x 76 x 70	10	4-10	4

Viper Pro Deluxe 3 Roller Bow Roller

Self-launching and designed to fit most plough anchors, each bow roller is made from 5mm plate 316-grade stainless steel with a mirror polish.



Part No.	Description
JPW12830	Small Bow Roller - L370 x W70 x H210mm
JPW12831	Large Bow Roller - L500 x W100 x H250mm

Viper Pro Deluxe Single Bow Roller

Self-launching and suitable to fit almost any anchors, each bow roller is 316-grade stainless steel mirror polished.



Part No.	Description
JPW12832	Single Bow Roller - L510 x W85 x H200mm

Bow Roller - Aluminium

- Bow roller made from cast aluminium.
- Suitable as a weld-on bow roller for aluminium boats.



Part No.	Total Length (mm)	Base Dimensions L x W (mm)	Roller Width (mm)
JPW4220	110	92 x 97	22

Replacement Bow Rollers

To suit bow spits, these outlast conventional rollers, are less abrasive and reduce hull marking. Suitable for fibreglass boats.

- Made from hard-wearing red polyurethane.



Part No.	Type	Dimensions (mm)			
		A	B	C	D
JPW4111	2" Bow Roller	50	50	13	12
JPW4211	3" Bow Roller	75	75	17	27

Bow Rollers - Magnalene

Hard-wearing and non-marking blue and red magnalene bow rollers; suitable for use on aluminium boats.



Part No.	Type	Colour	Dimensions (mm)			
			A	B	C	D
JPW4213	3" Bow Roller	Red	72	75	17	27
JPW4214	3" Bow Roller	Blue	78	75	17	27

Split Bollards - No Pin

Cast 316-grade stainless steel split bollards allow securing the chain into the bollard.

- Polished finish and gentle rake.



Part No.	Base Dimensions L x W (mm)	Height (mm)	Chain Size (mm)
JPW4215	60 x 60	84	8 - 10
JPW4217	85 x 85	115	10 - 13

Split Bollards - With Pin

Cast 316-grade stainless steel split bollards allow the securing of the chain into the bollard.

- Polished finish and gentle rake.



Part No.	Base Dimensions L x W (mm)	Height (mm)	Chain Size (mm)
JPW4216	60 x 60	84	8 - 10
JPW4218	85 x 85	115	10 - 13

Horn Bollards - Stainless Steel

Quality mirror-polished cast 316-grade stainless steel cleats; ideal for larger yachts and cruisers. Use as a fairlead or stern chock.

- Robust construction for the use of large ropes.
- Bolt-thru style attached from underneath the cleat.



Part No.	Dimensions L x W x H (mm)	Max Rope Dia (mm)	Base Dimensions L x W (mm)
JPW4243	150 x 60 x 60	30	160 x 58
JPW4244	200 x 70 x 80	50	200 x 68
JPW4245	260 x 80 x 100	70	240 x 70

Cross Bollards - Aluminium

Cross bollards made from cast marine-grade aluminium alloy.

- Can be welded and fastened to deck or drilled out and screwed into position.



Part No.	Base Dimensions L x W (mm)	Height (mm)
JPW4247	60 x 60	76 (3")
JPW4248	88 x 75	100 (4")
JPW4249	88 x 88	155 (6")

Cross Bollard RGD - Aluminium

Cast marine-grade aluminium bollards that can be welded or fastened to a deck. RGD product.

- 8mm thick base.



Part No.	Base Dimensions L x W (mm)	Height (mm)
JPW4250	97 x 73	100 (4")

Cross Bollards Weld-On Aluminium

Cross bollards made from cast aluminium. Can be welded or fastened to deck or drilled out and screwed into position.

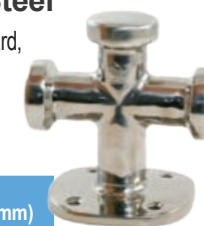


Part No.	Base Dimensions L x W (mm)	Height (mm)
JPW4255	60 x 60	88 (3 1/2")
JPW4256	80 x 80	100 (4")

Cross Bollard - Stainless Steel

Heavy duty 316-grade stainless steel cross bollard, designed to fit on most small to large boats.

- Polished finish for a great looking shine.
- Four 4.5mm fastening holes.



Part No.	Base Dimensions L x W (mm)	Height (mm)
JPW4252	60 x 60	80 (3")

Fairleads Straight (Bow Chock) - Stainless Steel

- Cast 316-grade stainless steel with a highly polished finish.
- Two 6mm fastening holes.
- Sold individually.



Part No.	Dimensions L x W (mm)	Hole Centres (mm)	Suits Rope Size (mm)
JPW19019	(5") 127 x 25	103	16
JPW19022	(6") 152 x 25	130	19

Oval Hawse Pipe Flange Stainless Steel

Oval shape hawse pipe made from cast 316-grade stainless steel. Used mainly as a rope guide through the gunwale of larger boats.



Part No.	O.D. Dimensions (mm)	I.D. Hole (mm)
JPW19000	103 x 47 x 23	95 x 38

Rectangle Hawse Pipe Flange Stainless Steel

Rectangle shape hawse pipe made from cast 316-grade stainless steel. Used mainly as a rope guide through the gunwale of larger boats.



Part No.	O.D. Dimensions (mm)	I.D. Hole (mm)
JPW19002	128 x 58 x 30	120 x 50

Fairleads Stainless Steel

Highly polished cast 316-grade stainless steel.

- Sold as pair - port & starboard..



Part No.	Dimensions L x W x H (mm)	Hole Centres (mm)	Suits Rope Size (mm)
JPW19020	(4 1/2") 114 x 23 x 25	50	13
JPW19021	(6") 152 x 34 x 30	62	20

Fairleads Stainless Steel (Bow Chock)

Cast 316-grade stainless steel fairleads.

- Sold as pair - port & starboard.



Part No.	Dimensions L x W x H (mm)	Hole Centres (mm)	Suits Rope Size (mm)
JPW19025	(6") 150 x 34 x 32	--	14
JPW19026	(8") 200 x 38 x 38	165	16
JPW19027	(10") 250 x 48 x 40	210	18

Stud Mount Cleat - Stainless Steel

Cast 316-grade heavy duty stainless steel cleat stud mount.

- Includes stud nut and washer.



Part No.	Dimensions L x H (mm)	Stud Length (mm)	Stud Ø (mm)
JPW19036	305 x 85	80	15

Slimline Cleats - Stainless Steel

Cast 316-grade stainless steel standard slimline bar cleats, open base deck cleat.

- Four hole mounting positions.



Part No.	Dimensions L x H (mm)	Hole Centres (mm)
JPW19028	(4") 100 x 25	48 x 22
JPW19029	(5") 125 x 26	55 x 25
JPW19030	(6") 150 x 30	55 x 26
JPW19031	(8") 200 x 35	75 x 28
JPW19032	(10") 250 x 45	95 x 44

Heavy Duty Cleat Stainless Steel

Cast 316-grade stainless steel and countersunk mounting holes.



Part No.	Dimensions L x H (mm)	Hole Centres (mm)	Mounting Hole Ø (mm)
JPW19043	(8") 200 x 35	73 x 35	7
JPW19033	(10") 250 x 42	95 x 46	8.5
JPW19034	(12") 300 x 48	100 x 51	8.5

Extra-Heavy Duty Cleats - Stainless Steel

Cast 316-grade highly polished stainless steel.

- Four-hole counter sunk open base to fit to deck.



Part No.	Dimensions L x H (mm)	Hole Centres (mm)	Mounting Hole Ø (mm)
JPW19057	(8") 200 x 50	90 x 45	6
JPW19035	(15") 380 x 100	125 x 68	12

Small Low-Profile Cleats - Stainless Steel

- Cast 316-grade stainless steel.
- Corrosion-resistant, open-base deck cleat.
- Four 6mm countersunk fastening holes.



Part No.	Top L x H (mm)	Base L x H (mm)	Hole Centres (mm)
JPW19038	(4") 100 x 23	42 x 35	35 x 25
JPW19039	(5") 123 x 28	55 x 45	42 x 30

Large Low-Profile Cleats - Stainless Steel

- Cast 316-grade stainless steel, highly polished cleats.
- Four 6mm countersunk fastening holes.



Part No.	Dimensions L x H (mm)	Hole Centres (mm)
JPW19040	(6") 150 x 32	40 x 44
JPW19041	(8") 200 x 40	55 x 42
JPW19042	(10") 250 x 43	57 x 45

Star Cleat - Stainless Steel with Studs

Cast 316-grade stainless steel 'STAR' deck cleat.

- Supplied with two 8mm threaded stud mounting rods, nuts and washers.



Part No.	Dimensions L x H (mm)	Hole Centres (mm)
JPW19056KIT	(8") 200 x 50	95

Horn Cleat - Stainless Steel

Cast 316-grade stainless steel highly polished.

- Supplied with two 8mm threaded stud mounting rods.

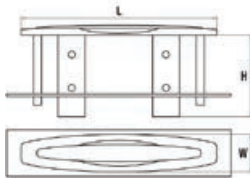


Part No.	Dimensions L x H (mm)	Hole Centres (mm)
JPW19190	(9") 230 x 45	55

Flush Pull-Up Cleats - Stainless Steel

Polished 316-grade stainless steel cleats.

- Pulls up from base and sits almost flush on deck when not in use.



Part No.	Dimensions L x W x H (mm)	Protusion Above (mm)	Protusion Below (mm)	Mounting Bolt
JPW19013	125 x 31 x 51.5	10mm	55mm	8
JPW19014	150 x 31 x 61.5	10mm	62mm	10
JPW19015	200 x 46 x 86.5	14mm	83mm	10

Lifting Ring with 7-inch Cleat - Stainless Steel

Polished 316-grade stainless steel.

- 7" cleat with a 25mm (1") hole for securely lifting or tying off. Secure by screw down or via internal threaded rod size 5/8" - 11 UNC.



Part No.	Length	Eye Ø	Hole Cut-Out Ø	Base Ø	Internal Thread
JPW19045	(6") 150mm	(1") 25mm	(1") 25mm	47mm	(5/8") 15mm UNC

Weld-On Aluminium Cleat

Suitable for boat builders or re-fitter.

- Weld cleat directly to the deck and paint for a desired finish.



Part No.	Top L x H (mm)	Base L x W (mm)
JPW4240	(8") 205 x 40	90 x 50

Heavy Duty Aluminium Weld-On Cleats

Weld-on base available in three sizes.

- Designed for the OEM boat builder and long-life service.



Part No.	Length	Base L x W (mm)
JPW5215	(10") 250mm	95 x 65
JPW5216	(12") 300mm	131 x 87
JPW5217	(13.5") 350mm	154 x 112

Dock Cleat - Cast Aluminium

Heavy duty alloy dock cleats for marinas, wharves, pontoons, etc.

- Solid weld-on base with large hole for mooring ropes.
- Two 13mm fastening holes.



Part No.	Top L x H (mm)	Base L x W (mm)	Hole Centres (mm)
JPW4241	290 x 90	180 x 45	110

Fuel Breather - Stainless Steel

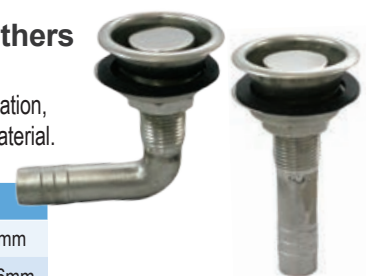
With a roundhead and suitable for all types of hull material up to 18mm in thickness.



Part No.	Type
JPW19151	Straight - 16mm
JPW19152	90° Angle - 16mm

Recess Fuel Breathers - Stainless Steel

Provides a flush-to-hull installation, suitable for all types of hull material.



Part No.	Type
JPW19154	Straight - 16mm
JPW19153	90° Angle - 16mm

Deck Fillers with Flip-Up Key Stainless Steel

Flush mount cast 316-grade stainless deck fillers with a flip-up key to ensure easy removal.

- Features coarse thread, 'O' ring seal, retaining chain and filler type identification moulded into the lid.



Part No.	Type	Hose Size (mm)	Mount Screws (mm)
JPW19270	Fuel	38	4 c/s
JPW19271	Fuel	50	4 c/s
JPW19272	Diesel	38	4 c/s
JPW19273	Diesel	50	4 c/s
JPW19274	Water	38	4 c/s
JPW19275	Water	50	4 c/s

Deck Fillers - Nylon

Universal type fillers featuring a quick and easy opening cap with 'O' ring seal and stainless steel safety chain.

- No tools required for opening; simply turn by hand.

- Supplied with stick-on names - Water, Waste, Petrol, Diesel, Fuel, Gas



Part No.	Description
JPW2628	38mm Hose Fitting
JPW2629	50mm Hose Fitting

Deck Fillers - Stainless Steel

High quality heavy duty cast 316-grade stainless deck fillers designed to a suit 38mm (1 1/2") or 50mm (2") hose.

- Supplied complete with stainless steel retaining chain, 'O' ring seal and opening key.

Part No.	Type	Hose Size (mm)	Rim Ø (mm)
JPW19090F	Fuel	38	75
JPW19090	Petrol	38	75
JPW19091	Diesel	38	75
JPW19092	Water	38	75
JPW19093	Petrol	50	88
JPW19093F	Fuel	50	88
JPW19094	Waste	38	75
JPW19096	Diesel	50	88
JPW19097	Waste	50	88
JPW19098	Water	50	88
JPW19099	Spare Deck Fill Key 38 & 50mm deck fillers.		

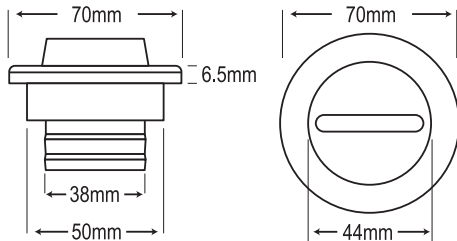


Cast Aluminium Deck Filler with 38mm Hose Tail

Cast aluminium deck filler designed to be welded or drilled.

Supplied complete with rubber 'O' ring seals in the cap.

Replacement caps in aluminium or acetal available to suit deck fill.



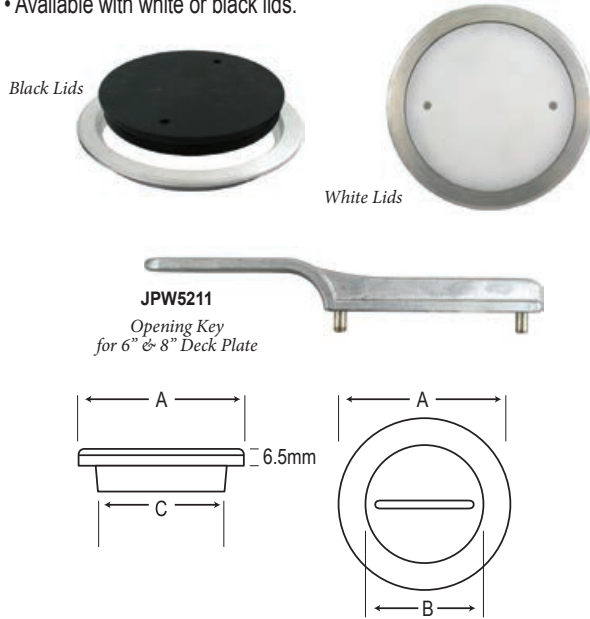
Part No.	Description
JPW5218	38mm UNF Deck Filler Weld-In Base & 38mm hose tail
JPW5219	1-1/2" Replacement Aluminium Plug & O-ring
JPW5220	1-1/2" Replacement Black Acetal Plug & O-ring



Aluminium Weld-On Deck Plate with Acetal Lid

Heavy duty marine-grade aluminium weld-on base and 20mm thick acetal lids with key hole for opening and rubber 'O' ring seals to ensure water tight closure.

- Available with white or black lids.

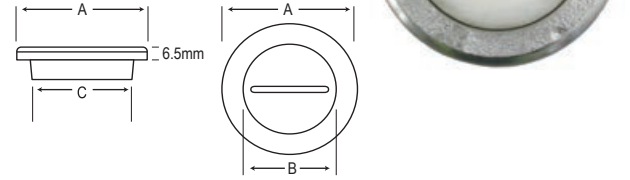


White Lids	Black Lids	A (mm)	B (mm)	C (mm)	Deck Protrusion (mm)
JPW5208	JPW5207	145	(4") 100	120	5
JPW5210	JPW5209	195	(6") 150	168	5
JPW5206	JPW5205	210	(8") 200	220	5
JPW5211	Opening Key to suit 6" & 8" Deck Plate				

Cast Alloy Tank Filler / Drain Bung with Acetal Slotted Cap

Base is cast aluminium that can be welded or screwed to surface.

- Includes rubber 'O' ring seal and white acetal slot cap.



Part No.	Description	(A) Overall Flange Size	(B) Internal Hole Size	(C) Cut-Out
JPW5212	2" BSP Thread Flange with Acetal Slot Cap	93mm	55mm	75mm

Deck Plates - Stainless Steel

Heavy duty marine-grade stainless steel deck plate with mirror polish.

- Rubber 'O' ring seals the lid for a watertight closure.
- Includes opening key.

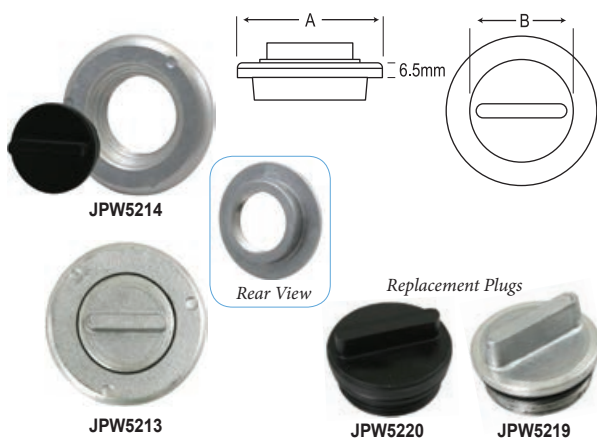


Part No.	Hole Dia		Total Dia (mm)	Cut-out Size (mm)
	(in)	(mm)		
JPW19100	4	101	140	110
JPW19102	5	127	170	140
JPW19103	6	152	210	170

Cast Aluminium Drain Bung

Cast aluminium drain plug designed to be welded or drilled for screw-in installation. Supplied with rubber 'O' ring seals in the cap.

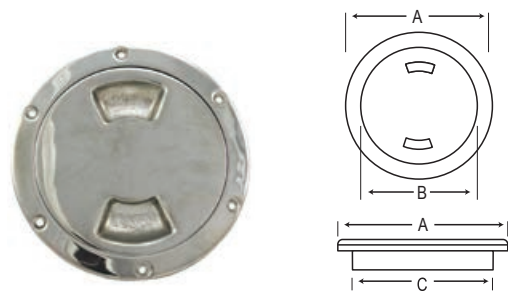
- Replacement caps are available in aluminium or acetal.



Part No.	Description	A (mm)	B (mm)	C (mm)
JPW5213	Cast Alloy Bung & Base	73	45	35
JPW5214	Cast Alloy Bung with Acetal Plug			
JPW5219	1-1/2" Replacement Aluminium Plug & O-ring			
JPW5220	1-1/2" Replacement Black Acetal Plug & O-ring			

Deck Plate Finger Grip Opening - Stainless Steel

Heavy duty 316-grade polished stainless steel with a handy finger grip opening mould instead of the standard key system.



Part No.	(A) Overall Flange Size	(B) Internal Hole Size	(C) Cut-Out Size
JPW19195	123mm	(3") 83mm	87mm
JPW19196	147mm	(4") 102mm	110mm
JPW19197	173mm	(5") 127mm	135mm
JPW19198	196mm	(6") 150mm	162mm

Inspection Port - Smooth Lid

Made from durable UV-resistant ASA white plastic.

- Smooth surface style with screw-in finger grips.
- Pry-out lid has no finger grip holes.



JPW6046
6" inspection port with pry-out lid

JPW6047
JPW6049

Part No.	Type	Cut-Out (mm)	Inside Dia (mm)	Outside Dia (mm)	Mounting Holes
JPW6047	4" Screw-in	120	100	155	6 x 4.5mm
JPW6048	6" Screw-in	165	150	205	6 x 4.5mm
JPW6049	8" Screw-in	210	200	250	6 x 4.5mm
JPW6046	6" Pry-out lid	165	155	205	6 x 4.5mm

Inspection Ports

Made from ABS plastic.

- Screw-in threaded lid with flush mounted style.
- Finger grips with rubber ring to seal.



Part No.		Type	Cut-Out (mm)	Inside Dia (mm)	Outside Dia (mm)	Mounting Holes
White	Black					
JPW6074	JPW6075	4" - Screw-In	110	102	145	6 x 4.5mm
JPW6076	JPW6077	5" - Screw-In	135	128	170	6 x 4.5mm
JPW6078	JPW6079	6" - Screw-In	160	155	205	6 x 4.5mm

Nairn Inspection Ports

Manufactured to high tolerances to provide high strength, durability and water-tightness.

- All models include 'O' ring seals.
- Rims and coloured lids are made from ABS plastic.
- Clear lids are made from polycarbonate plastic, to give both high transparency and impact resistance.
- 5" and 6" ports are available with removable kit bags made from woven nylon.



5 & 6" inspection port with kit bags

JPW6042
JPW6043

JPW6040
JPW6041

Part No.		Type	Cut-Out (mm)	Inside Dia (mm)	Outside Dia (mm)	Mounting Holes
White	Black					
JPW6030	JPW6031	4" - Screw-in	110	100	144	6 x 4.5mm
JPW6032	JPW6033	5" - Screw-in	140	125	170	6 x 4.5mm
JPW6041	JPW6042	5" - With Kit Bag	140	125	170	6 x 4.5mm
JPW6034	JPW6035	6" - Screw-in	166	150	194	8 x 4.5mm
JPW6040	JPW6043	6" - With Kit Bag	166	150	194	8 x 4.5mm
JPW6036	-	8" - Pry Out	210	190	250	6 x 6mm



JPW6030

JPW6031

JPW6032 / JPW6034



JPW6033 / JPW6035

JPW6036

8" inspection port has pry-out lids

Part No.			Type	Outside Dia (mm)
White	Black	Clear		
JPW6060	JPW6055	JPW6050	4" - Lid Only	113
JPW6061	JPW6056	JPW6051	5" - Lid Only	138
JPW6062	JPW6057	JPW6052	6" - Lid Only	160
JPW6063	-	-	8" - Lid Only	200



Spare lids to suit Nairn ports

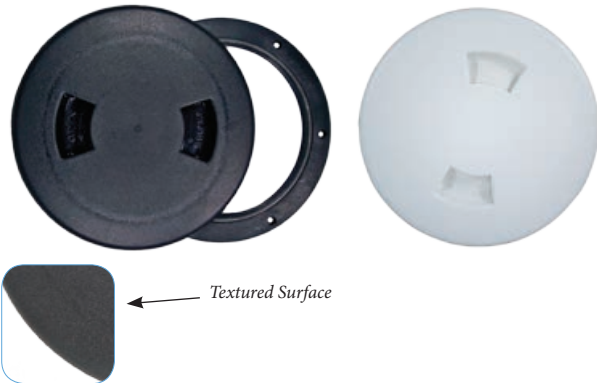
Part No.	Spare 'O' Rings (mm)
JPW6070	100
JPW6071	125
JPW6072	150
JPW6073	200 (8")



Inspection Ports - Full Cover Lid

Made from high density polymer with a textured surface.

- Screw-in threaded lid that covers screw holes.
- Finger grip opening lid with rubber ring to seal with base.



Part No.		Type	Cut-Out (mm)	Inside Dia (mm)	Outside Dia (mm)	Mounting Holes
White	Black					
JPW6045	JPW6044	6" - Screw Out	163	152	210	6 x 4.5mm

Nylon Scupper

Spring-loaded with strong stainless spring and watertight sealing gasket.

- Ideal vents for draining the deck of your boat, air pressurising your caravan, or as a vent to allow air to flow in.
- Repair service kits also available (see below).



Part No.	Colour	Dimensions L x W (mm)
JPW6262	Black	175 x 120
JPW6263	White	175 x 120
JPW6264	Black	240x147
JPW6265	White	240x147

Scupper - Aluminium

High quality aluminium alloy transom drain scuppers or ventilators.

- Spring-loaded with strong stainless spring and watertight sealing gasket.
- Ideal vents for draining the deck of your boat, air pressurising your caravan, van body, or as a vent to allow air to flow in.
- Available in two sizes with or without opening lip, in plain aluminium alloy and white powder-coated finish.
- Repair service kits also available.

Plain Aluminium

Part No.	Size	Dimensions L x W (mm)
JPW4260	Small	167 x 112
JPW4270	Large	240 x 147



White Powder Coated

Part No.	Size	Dimensions L x W (mm)
JPW4261	Small	167 x 112
JPW4271	Large	240 x 147

JPW4261
JPW4271



Plain Aluminium

Part No.	Size	Dimensions L x W (mm)
JPW4269	Large	240 x 147

JPW4269

Scupper Repair Kit

Each kit contains foam seal and spring.

Part No.	Type
JPW4272	Small Foam Seal and Spring
JPW4273	Large Foam Seal and Spring
JPW4279	Spare Small Spring



Rubber Bung - Black

Tapered rubber bungs suitable for use in dinghies and plugging holes between 10mm and 25mm.

Part No.	Hole Size (mm)	Type
JPW6939	11 - 14	Size 3
JPW6940	16 - 19	Size 7
JPW6941	18 - 21	Size 8
JPW6942	20 - 25	Size 10



Expansion Bung with Snap Release

Black 25mm bung drain made from flexible, durable nylon.

- Push into (1") 25mm tube and snap for a watertight fit.
- Easy-to-use snap handle for release and removal.

Part No.
JPW5411



Bung with Snap Handle

Expansion bung expands when handle is push down. Made from nylon.

Part No.	To Suit Hole Size (mm)
JPW5358	25
JPW5359	35
JPW5360	40



Plastic Bung with 22mm Base Cut-Out

Small size drain bung and base, made in Australia from UV-resistant marine-grade nylon with fine thread.

- 19mm internal flow size with unique high flow retainer ring design and neoprene 'O' ring seal.
- Two 4mm countersunk fastening holes.
- 19mm bung plug diameter.



Bulk Bags of 10

Single Packaged

Part No.	Description	Part No.	Description
JPW5372B	Bung & Base Assembly 10x	JPW5372	Bung & Base Assembly

Plastic Bung with 25mm Base Cut-Out

High quality bung and base made in Australia from UV-resistant marine-grade nylon.

- 20mm internal flow size with unique high flow retainer ring design and neoprene 'O' ring seal.
- Two 4mm countersunk fastening holes.
- 19mm bung plug diameter.



Bulk Bags of 10

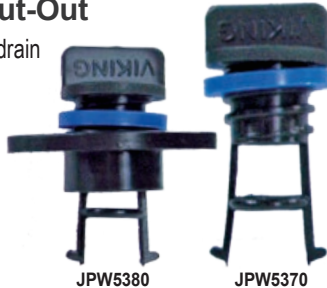
Single Packaged

Part No.	Description	Part No.	Description
JPW5392B	Bung & Base Assembly White 10x	JPW5392	Bung & Base Assembly White
JPW5394B	Bung & Base Assembly Black 10x	JPW5394	Bung & Base Assembly Black
JPW5393B	Bung Plug only White 10x	JPW5393	Bung Plug only White
JPW5395B	Bung Plug only Black 10x	JPW5395	Bung Plug only Black

Plastic Coarse Thread Bung with 25mm Base Cut-Out

Standard size, coarse thread drain bung.

- All plastic with plastic washer and retainer lug.
- 17mm internal flow size.
- 19mm bung plug diameter.



JPW5380

JPW5370

Bulk Bags of 10

Single Packaged

Part No.	Description	Part No.	Description
JPW5380B	Bung & Base Assembly 10x	JPW5380	Bung & Base Assembly
JPW5370B	Bung Plug Only 10x	JPW5370	Bung Plug Only

Plastic Bung with 30mm Base Cut-Out

Australian-made, UV-resistant marine-grade nylon.

- 25mm internal flow size with unique high flow retainer ring design and neoprene 'O' ring seal.
- Two 4mm countersunk fastening holes.
- 25mm bung plug diameter.



Bulk Bags of 10

Single Packaged

Part No.	Description	Part No.	Description
JPW5396B	Bung & Base Assembly White 10x	JPW5396	Bung & Base Assembly White
JPW5398B	Bung & Base Assembly Black 10x	JPW5398	Bung & Base Assembly Black
JPW5397B	Bung Plug only White 10x	JPW5397	Bung Plug only White
JPW5399B	Bung Plug only Black 10x	JPW5399	Bung Plug only Black

Plastic Fine Thread Bung with 25mm Base Cut-Out

All plastic with plastic washer and retainer lug.

- Suits fine thread 25mm cut-out base.



JPW5391

JPW5390

Bulk Bags of 10

Single Packaged

Part No.	Description	Part No.	Description
JPW5391B	Bung & Base Assembly 10x	JPW5391	Bung & Base Assembly
JPW5390B	Bung Plug Only 10x	JPW5390	Bung Plug Only

Plastic Bung with 38mm Base Cut-Out

UV-resistant black nylon bung & black washer.

- 30mm internal flow size.
- Two 4mm countersunk fastening holes.
- 30mm bung plug diameter.



Bulk Bags of 10

Single Packaged

Part No.	Description	Part No.	Description
JPW5400B	Bung & Base Assembly 10x	JPW5400	Bung & Base Assembly
JPW5410B	Bung Plug Only 10x	JPW5410	Bung Plug Only

Plastic Bung with 40mm Base Cut-Out

High quality large size drain bung and base manufactured in Australia from UV-resistant marine-grade nylon.



- Large 35mm internal flow size with unique high flow retainer ring design and neoprene 'O' ring seal.
- Opening large enough to allow prawn heads, etc. to pass through.
- Four 4mm countersunk fastening holes.
- 35mm bung plug diameter.

Bulk Bags of 5

Part No.	Description
JPW5365B	Bung & Base Assembly White 5x
JPW5367B	Bung & Base Assembly Black 5x
JPW5366B	Bung Plug only White 5x
JPW5368B	Bung Plug only Black 5x

Single Packaged

Part No.	Description
JPW5365	Bung & Base Assembly White
JPW5367	Bung & Base Assembly Black
JPW5366	Bung Plug only White
JPW5368	Bung Plug only Black

Plastic Bung with 50mm Base Cut-Out



High quality large size drain bung and base manufactured in Australia from UV-resistant marine-grade nylon.

- Large 45mm internal flow size with unique high flow retainer ring design and neoprene 'O' ring seal.
- Opening large enough to allow prawn heads, etc. to pass through.
- Four 4mm countersunk fastening holes.
- 45mm bung plug diameter.

Bulk Bags of 5

Part No.	Description
JPW5361B	Bung & Base Assembly White 5x
JPW5363B	Bung & Base Assembly Black 5x
JPW5362B	Bung Plug only White 5x
JPW5364B	Bung Plug only Black 5x

Single Packaged

Part No.	Description
JPW5361	Bung & Base Assembly White
JPW5363	Bung & Base Assembly Black
JPW5362	Bung Plug only White
JPW5364	Bung Plug only Black

Transom Well Drain 55mm

White nylon fine threaded drain with push-on grip flanged end fitting. Can be used for draining motor or anchor wells.

- Simply cut to length required.

Part No.	Total Length (mm)	Cut-out Hole (mm)
JPW5420	55	25



Rubber Trim Rings - Round

Protect wiring and plumbing from chaffing by neatly finishing holes in bulkheads, engine wells, etc.

- Made from soft PVC plastic to give excellent weather and chemical resistance.
- 6mm maximum panel thickness.



Part No.	Colour	Cut-Out	O.D. Total
JPW5291	White	65mm	90mm
JPW5292	Black		

Rubber Slop Stoppers - Round

Splash proof round slop stopper boot to prevent damage to cables & hoses in engine wells, etc.

- Soft PVC plastic for excellent weather resistance and long term durability.
- 45mm intrusion.



Part No.	Colour	Hole Dia	Cut-Out	O.D. Total
JPW5294	White	50mm	62mm	90mm
JPW5300	Black			

Rubber Trim Ring - Oval Black

Protect wiring and plumbing from chaffing by neatly finishing holes in bulkheads, engine wells, etc.

- Made from soft PVC plastic to give excellent weather and chemical resistance.



Part No.	Hole Size	Cut-Out	O.D. Total
JPW5293	115 x 60mm	120 x 62mm	135 x 82mm

Rubber Slop Stopper - Oval Black

Splash proof round slop stopper boot that prevents damage to cables and hoses in engine wells, etc.

- Soft PVC plastic for weather resistance and durability.



Part No.	Hole Size	Cut-Out	O.D. Total
JPW5301	115 x 60mm	120 x 62mm	135 x 80mm

Rod Holder Tube Inserts

UV-stabilised, ideal for rocket launcher racks, etc. Finishes the metal tube neatly, saving rods from damage.



Part No.	Type	O.D. (mm)	Max Tube Wall Thickness (mm)
JPW6020	Imperial	50.8 (2")	1.5
JPW6021	Metric	50	3

Weld-On Aluminium Rod Holder Polished Finish

Highly polished finish, tapered and flared design. Supplied with a white vinyl insert for rod protection. Features a welded-in rod gimbal and 3mm wall thickness tube; ideal for build your own rocket launchers and baitboards.



Part No.	Shaft I.D. (mm)	Tapered Head I.D (mm)	Length (mm)
JPW6014	40	45	250

Weld-On Aluminium Rod Holder Brushed Finish

Tapered and flared design. Supplied with a white vinyl insert for rod protection. Features a welded-in rod gimbal and 3mm wall thickness tube; ideal for build your own rocket launchers and baitboards.



Part No.	Shaft I.D. (mm)	Tapered Head I.D (mm)	Length (mm)
JPW6016	40	45	250

Weld-On Stainless Steel Rod Holder Polished Finish

Made from 316-grade stainless steel, tapered and flared design. Supplied with a white vinyl insert for rod protection and a rod gimbal screwed into the base and 2mm wall thickness tube. Ideal for build your own rocket launchers and baitboards.



Part No.	Shaft I.D. (mm)	Tapered Head I.D (mm)	Length (mm)
JPW6017	40	50	250

Clamp-On Adjustable Rod Holder - Anodised Aluminium

Marine-grade aluminium with an anodised finish. Internal tube is fitted with a white PVC insert and weld-in rod gimbal pin.

- 360° rotation with adjustable teeth.
- Easy fit to rails, 22mm and up.



Part No.	Shaft I.D. (mm)	Tapered Head I.D (mm)	Length (mm)
JPW5961	40	45	250

Side Mount Rod Holder - Anodised Aluminium

Side mount rod holder made from marine-grade aluminium with an anodised finish. Internal tube is fitted with a white PVC insert and weld-in rod gimbal pin.



Part No.	Shaft I.D. (mm)	Tapered Head I.D (mm)	Length (mm)
JPW5962	40	45	250

Clamp-On Rail Mount Rod Holder - Anodised Aluminium

Clamp-on rail mount rod holders constructed from marine-grade aluminium with anodised finish. Internal tube is fitted with a white PVC insert and weld-in rod gimbal pin. Fits a 25mm (1") rail size.



Part No.	Mount Type	Shaft I.D. (mm)	Tapered Head I.D (mm)	Length (mm)
JPW5964	Vertical	40	45	250
JPW5965	Horizontal	40	45	250

Rail Mount Rod Holder - Stainless Steel

Made from 316-grade stainless steel with black PVC tube cap fitted for rod safety.

- Rail mount bracket can be fixed at various angles for a 360° rotation position.
- Suits 19 - 22mm rail size.



Part No.	Shaft Dia mm	Length (mm)
JPW5939	50	225

Rail Clamp-On Rod Holder - Stainless Steel

Rugged self-draining rod holder, functional design clamps on to your boat with no need for drilling.

- Tough stainless steel tubing won't corrode.
- Internal gimbal pin in shaft to hold your rod in place.
- Fits 3/4" to 1" rails.



Part No.	Shaft Dia mm	Length (mm)
JPW5940	50	245

Side Mount Rod Holder - Stainless Steel

A sturdy sidemount rod holder in polished stainless steel tube with black PVC brackets for fixing to your boat.

- Eight 5mm countersunk fastening holes.



Part No.	Shaft Dia mm	Length (mm)
JPW6015	40	225

Flush Mount Rod Holders - Stainless

Pressed 304-grade stainless steel slimline rod holder with rod gimbal pin through shaft.

- Four 6mm countersunk fastening holes.



Part No.	Shaft Type	Shaft I.D. (mm)	Length (mm)	Head Size (mm)	Cut-out (mm)
JPW5941	15° Angled	41	205	80 x 60	51
JPW5942	Straight	41	205	80 x 60	51

Rod Holders - Stainless Steel

Welded head 316-grade stainless steel. Heavy duty to handle all conditions.

- Rod gimbal pin through shaft.
- Four 5mm countersunk fastening holes.



Part No.	Shaft Type	Shaft I.D. (mm)	Length (mm)	Head Size (mm)	Cut-out (mm)
JPW6018	15° Angled	41	215	80 x 60	51
JPW6019	Straight	41	215	80 x 60	51

Flush Mount Rod Holder with PVC Cap & Insert - Aluminium

Marine grade anodised aluminium, flush mounted 30° angled rod holder. Complete with black rubber gasket white PVC insert. Tube spot welded with head. 6mm gimbal pin in base of tube.



Part No.	Shaft I.D. (mm)	Length (mm)	Head Size (mm)	Cut-out (mm)	Mount Screws (mm)
JPW5953	40	220	110 x 85	50	8 c/s
JPW5943	Spare PVC Insert Rod/Hold White				

Rod Holders - Stainless Steel

Pressed 304-grade stainless steel with spot welded slimline design head and rod gimbal pin through shaft.

- Three 6mm countersunk fastening holes.



Part No.	Shaft Type	Shaft I.D. (mm)	Length (mm)	Head Size (mm)	Cut-out (mm)
JPW5945	15° Angled Oval	40	199	90 x 65	48
JPW5946	Straight	40	199	90 x 65	45
JPW5947	Flush 15° Angled	40	195	80 x 60	48

Rod Holder Replacement PVC Insert & Cap

PVC Rod Holder Insert Replacement featuring a cover top cap.

- Suits any rod holders with an inside tube size of 47-48mm.
- Available in black or white.



Part No.	Colour
JPW5943	Spare PVC Insert Rod/Hold White
JPW5943B	Spare PVC Insert Rod/Hold Black

Flush Mount Rod Holder with PVC Insert - Stainless Steel

304-grade polished flush mount, 30° angled stainless steel. Complete with PVC insert, black rubber gasket and solid stainless steel rod gimbal pin through the shaft.



Part No.	Shaft I.D. (mm)	Length (mm)	Head Size (mm)	Cut-out (mm)	Mount Screws (mm)
JPW5948	38	230	110 x 85	50	6 c/s
JPW5943	Spare PVC Insert Rod/Hold White				

Rod Holder & Rubber Cap - Stainless

Cast 316-grade heavy duty stainless steel rod holder. Complete with black rubber cap, mounting gasket and insert. Internal rod gimbal welded into tube base. Angled or straight mount option.



Part No.	Shaft Type	Shaft I.D. (mm)	Length (mm)	Head Size (mm)	Cut-out (mm)	Mount Screws (mm)
JPW6028	30° Angle	40	200	113 x 90	50	8 c/s
JPW6029	90° Straight	40	200	1110 x 85	50	8 c/s

Flush Mount Rod Holder with PVC Cap & Insert - Stainless Steel

Cast 316-grade heavy duty stainless steel 30° angled rod holder. Complete with rubber gasket PVC insert. Tube and cast head completely welded. 6mm gimbal pin in base of tube.



Part No.	Shaft I.D. (mm)	Length (mm)	Head Size (mm)	Cut-out (mm)	Mount Screws (mm)
JPW5950	40	220	105 x 85	50	6 c/s
JPW5943	Spare PVC Insert Rod/Hold White				

Rod Holder Rack

Deluxe rod holder rack made from 316 grade stainless steel.

- 50mm O.D. tube with internal welded gimbal pins and rolled bottoms.



Part No.	Description	Dimensions L x W x H (mm)
JPW12891	6 Rod Rack - Side Mount	715 x 65 x 250
JPW12892	4 Rod Rack - Side Mount	500 x 65 x 250

Quick Release Triple Rod Holder



Triple configuration with centre leg to fit existing standard rod holders with an inside diameter of between 36mm and 43mm.

- Quick release enables line tensions to be maintained when removing rod after hook up.
- Removable, and folds away easily for storage.
- Designed to fit 26 - 43mm diameter flush mount rod holder.

Part No.	Total Height (mm)	Total Width (mm)
JPW5103	540	460

Side Mount Rod Holders - Plastic

Side mount rod holders can fit on any flat surface, available in black or white. Order in bulk or single packaged.



Part No. Bulk	Part No. Packaged	Colour	Shaft I.D. (mm)	Length (mm)	Mount Screws (mm)
JPW6006B	JPW6006P	Black	43	235	5 c/s
JPW6007B	JPW6007P	White	43	235	5 c/s

Flush Straight Rectangle Head Rod Holders - Plastic

Narrow rectangle head rod holders made from UV-stabilised polypropylene. Flush mount with bevelled edge, straight shaft, moulded internal rod gimbal.

- Four 5mm countersunk fastening holes



Part No. Bulk	Part No. Packaged	Colour	Shaft I.D. (mm)	Length (mm)	Head Size (mm)	Cut-out (mm)
JPW6000B	JPW6000P	White	44	230	90 x 60	50
JPW6001B	JPW6001P	Black	44	230	90 x 60	50

Flush Angled Oval Head Rod Holders - Plastic

Oval head rod holders made from UV-stabilised polypropylene. 30° angle shaft, moulded internal rod gimbal.

- Four 5mm countersunk fastening holes.



Part No. Bulk	Part No. Packaged	Colour	Shaft I.D. (mm)	Length (mm)	Head Size (mm)	Cut-out (mm)
JPW6002B	JPW6002P	White	44	210	110 x 85	50
JPW6003B	JPW6003P	Black	44	210	110 x 85	50

Flush Angled Rectangle Head Rod Holders - Plastic

Narrow rectangle head rod holders in UV-stabilised polypropylene. Flush mount with bevelled edge, 30° shaft, moulded internal rod gimbal.

- Four 5mm countersunk fastening holes



Part No. Bulk	Part No. Packaged	Colour	Shaft I.D. (mm)	Length (mm)	Head Size (mm)	Cut-out (mm)
JPW6004B	JPW6004P	Black	44	230	90 x 60	50
JPW6005B	JPW6005P	White	44	230	90 x 60	50

Oval Flush Mount Rod Holders with PVC Cap

30° angle oval head rod holders come complete with PVC cap and mounting gasket.



Part No.	Colour	Shaft I.D. (mm)	Length (mm)	Cut-out (mm)	Mount Screws (mm)
JPW6023	Black	46	200	50	5 c/s
JPW6024	White	46	200	50	5 c/s

Rod Storage Racks - White Plastic

Holster or slip rod into rack, out of the way and secure while moving to next fishing spot.

- Supplied with upper and lower brackets. Screw to back deck / roof area.



Part No.	Type	Dimensions L x W (mm)
JPW6025	4 Rods	390 x 75
JPW6026	6 Rods	550 x 75

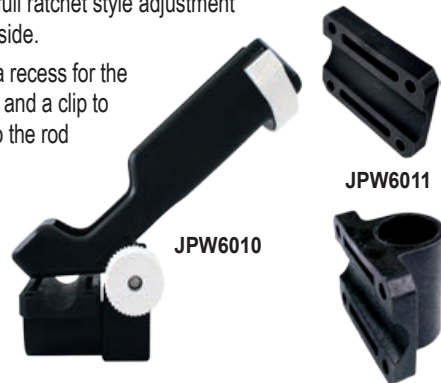
- Pack includes two ends, two holders, four brackets and 12 countersunk screws.

Rod Holder - Side Bracket Mount

Rod holder with full ratchet style adjustment up/down side to side.

- Designed with a recess for the rod reel to sit in and a clip to lock the rod into the rod holder.

- Extra bracket mounting option available



Part No.	Type
JPW6010	Rod Holder with Side Mount Bracket

Bracket Mounting Options

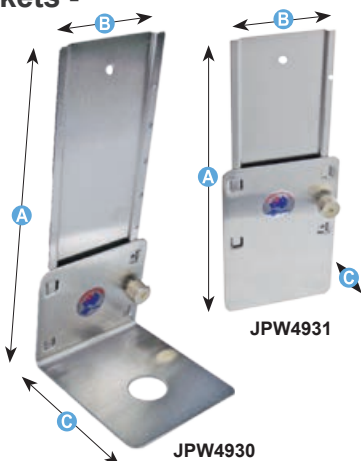
JPW6011	Rail Mount Adaptor
JPW6012	Side Mount Socket
JPW6013	Flush Deck Mount Socket



Transducer Brackets - Stainless Steel

Stainless steel sliding transducer brackets with spring-loaded adjustable position.

- Removeable for easy storage or security reasons.
- Right-angled transducer bracket - 25mm hole.

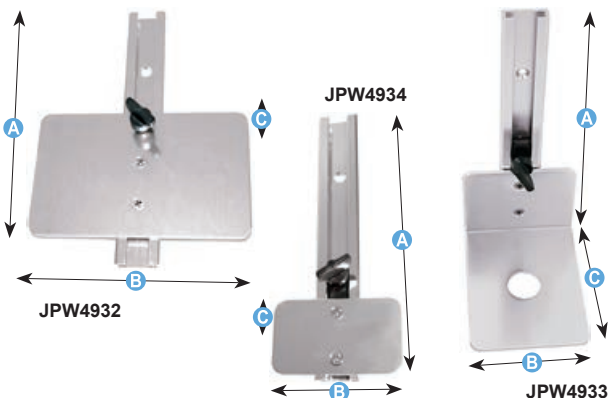


Part No.	Plate Type	Dimensions (mm) A x B x C
JPW4930	Right-Angled	225 x 89 x 114
JPW4931	Flat	225 x 89 x 6

Transducer Brackets - Aluminium

Anodised aluminium sliding transducer brackets with adjustable position.

- Removeable for easy storage or security reasons.
- Right angled transducer bracket - 25mm hole.



Part No.	Plate Type	Dimensions (mm) A x B x C
JPW4932	Flat	206 x 152 x 15
JPW4933	Right Angled	206 x 89 x 128
JPW4934	Flat	206 x 84 x 15

Bait Pump Bracket & Water Scoop

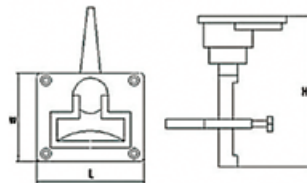
- JPW3805: Stainless steel, solidly constructed bracket with an integral water scoop to feed water to deckwash pump. Suits 12mm hose.
- JPW3806: Stainless steel bait pump bracket with water scoop, which suits Rule 360 and 500 pumps.



Part No.	Description
JPW3805	Live Bait Plate & Scoop
JPW3806	Live Bait Plate

Cast Stainless Steel Hatch Ring-Pull

316-grade heavy duty stainless steel hatch latch pull handle. Locking arm has height adjustment that is secured with a stainless steel set screw.

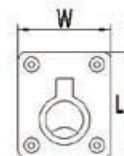


- Set the height adjuster between 30-100mm.

Part No.	Dimensions L x W x H (mm)	Mount Screws (mm)
JPW19047	80 x 67 x 110	4 c/s

Cast Stainless Steel Ring-Pull

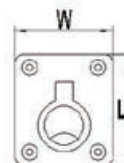
Flush mount ring-pull made from 316-grade stainless steel.



Part No.	Dimensions L x W (mm)	Mount Screws (mm)
JPW19064	64 x 44	4 c/s

Stainless Steel Ring-Pull

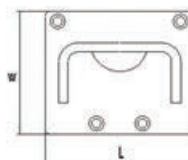
Flush mount ring-pull made from 316-grade stainless steel.



Part No.	Dimensions L x W (mm)	Mount Screws (mm)
JPW19070	48 x 38	4 c/s

Heavy Duty Cast Stainless Steel Ring-Pull

Heavy duty cast 316-grade stainless steel flush mount ring-pull.



Part No.	Dimensions L x W (mm)	Mount Screws (mm)
JPW19071	76 x 58	4 c/s

Cast Stainless Steel Flush Ring-Pull Round

316-marine grade stainless steel for long-life performance and durability.

- Three 4.7mm mounting holes.



Part No.	Description
JPW19063	Round Hatch Pull Ring 50mm Ø

Cast Stainless Steel Pull Ring with Spring Return

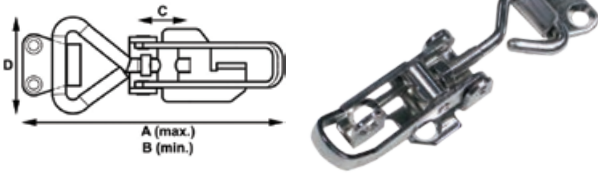
Flush pull with spring cast from 316-grade stainless steel.



Part No.	Description	Dimensions L x W (mm)
JPW19062	Stainless Steel Pull Ring with Spring Return	76 x 57mm

Toggle Adjustable Hatch Latch - Stainless Steel

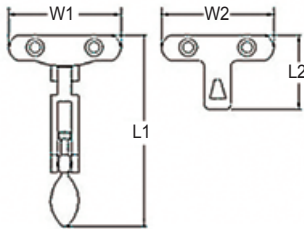
Adjustable toggle latch 316-grade stainless steel with cam action lever. Length adjusts by turning threaded bolt.



Part No.	Size	(A & B) Adjustment	Mount Screws (mm)
JPW4700	76mm	65-75mm	5 c/s
JPW4701	125mm	115-125mm	5 c/s

Anti-Rattle Hatch Fastener - Stainless Steel

Heavy duty cast 316-grade stainless steel. Lever action, silent anti-rattle type with an eye for a padlock.



Part No.	L1 (mm)	L2 (mm)	W1 (mm)	W2 (mm)	Mount Screws (mm)
JPW4705	110	39	48	48	5 c/s

Hatch Fastener Cast 316-Grade Stainless Steel

Cast 316-grade stainless steel hatch fastener flat mounting with eye for a padlock.

- Bolt down area size: 70 x 33mm.
- Total length: 90mm.



Part No.	Description	Dimensions L x W (mm)	Mount Screws (mm)
JPW4707	Hatch Fastener Eye Lock	90 x 33	4 c/s

Hasp & Staple Latches - Stainless Steel

Pressed 316-grade stainless steel hasp and staple latches with rotatable staple to lock the hasp in place or standard fixed eye.

- Suitable for padlocks up to 8mm.
- Eight 4mm countersunk fastening holes.



Part No.	Type	Dimensions L x W (mm)	Mount Screws (mm)
JPW4702	Swivel Lock	70 x 25	4 c/s
JPW4704	Fixed Eye	70 x 25	4 c/s

Hasp & Staple Swivel Lock Latches - Stainless Steel

Very heavy duty cast 316-grade stainless steel with highly polished finish

- Rotatable staple to lock hasp in place.
- Suitable for padlocks up to 8mm.

Part No.	Type	Dimensions L x W (mm)
JPW4698	90° Mount	76 x 25



Locking Hasp Latch - Stainless Steel

304-grade stainless steel with lockable hasp.

- 29 x 41mm base area behind lock.
- Seven 4mm countersunk fastening holes.

Part No.	Dimensions L x W (mm)
JPW4697	76 x 30



Flush Slam Latch Stainless Steel

316-grade stainless steel, low-profile and self-latching.

- Hook lift ring has spring return.
- Includes a stainless steel tab for internal closing.
- Suits decks up to 18mm thick.



Part No.	Cut-Out Dia (mm)	Deck Thickness (mm)	Keeper Base (mm)
JPW4706	51	0-18	32 x 15

Flush Slam Latches - Stainless Steel

Cast 316-grade stainless steel flush mounting, low profile and self latching; ideal for galley doors and drawers. Features a lift ring with spring return and 1mm spacer ring. Available in locking or non-locking.



Part No.	Lock	Door Thickness (mm)	Outside Dia (mm)	Cut-Out Dia (mm)
JPW4708	No	11-20	62	50
JPW4709	Yes	11-20	62	50

Cupboard Catch - White Nylon

Made from impact-resistant UV-stabilised plastic.

Part No.	Dimensions L x W (mm)
JPW5493	47 x 15



Magnetic Door Catch - Stainless Steel

Cast 316-grade stainless steel. Strong magnet holds door from swinging, rubber cover for soft close.

Part No.	Description
JPW4687	Magnetic Door Catch 50mm (2")



Cast Stainless Steel Concealed Hinge with Stud

316-grade smooth polished stainless steel with M6 fixing studs.

Part No.	Dimensions L x W (mm)	Fixing Studs
JPW19178	94 x 49	M6
JPW19179	76 x 40	M6



Square Butt Hinges - Cast Stainless Steel

- Cast 316-grade heavy duty stainless steel.
- Sold individually.
- Four 5mm countersunk fastening holes.

Part No.	Dimensions L x W (mm)
JPW19082	38 x 38
JPW19112	51 x 51



Cast Stainless Steel Concealed Door Hinge with Stud

316-grade smooth polished stainless steel with M6 fixing studs.

Part No.	Dimensions L x W (mm)	Fixing Studs
JPW19187	70 x 40mm	M6
JPW19188	72 x 65mm	M6
JPW19189	83 x 65mm	M6



Door Hinges - Cast Stainless Steel

- Cast 316-grade heavy duty stainless steel.
- 3mm thick and highly polished.
- Sold individually.
- Five 5mm countersunk fastening holes.

Part No.	Dimensions L x W (mm)
JPW19083	56 x 38
JPW19115	76 x 38



Cast Stainless Steel External Hinge with Stud

316-grade smooth polished stainless steel with M6 fixing studs.

Part No.	Dimensions L x W (mm)	Fixing Studs
JPW19191	84 x 45	M6
JPW19192	69 x 35	M6



10mm Offset Hinges - Cast Stainless Steel

- Cast 316-grade heavy duty stainless steel.
- Sold individually.
- Five 4mm countersunk fastening holes.

Part No.	Dimensions L x W (mm)
JPW19113	57 x 38
JPW19114	70 x 38



Cast Hinges - Stainless Steel

316-grade heavy duty stainless steel.

- Sold individually.
- Countersunk fastening holes.

Part No.	Dimensions L x W (mm)	Fastening Holes
JPW19080	98 x 25	4 x 5mm
JPW19081	160 x 27	6 x 5mm



Separating Hinge - Stainless Steel

Cast 316-grade heavy duty stainless steel take apart hinge.

- Sold individually.
- Four 5mm countersunk fastening holes.

Part No.	Type	Dimensions L x W (mm)
JPW19084	Right	90 x 38
JPW19085	Left	90 x 38



Cast Hinges - Stainless Steel

316-grade heavy duty stainless steel.

- Sold individually.
- Countersunk fastening holes.

Part No.	Dimensions L x W (mm)	Fastening Holes
JPW19078	76 x 38	6 x 5mm
JPW19079	102 x 38	6 x 5mm



Separating Hatch Hinge - Stainless Steel

Cast 316-grade stainless steel, ideal as a hatch hinge as it has an in-built stopper to hold the hinge upright.

- Has a removable pin to separate.
- Sold individually.
- Eight 5mm countersunk fastening holes.

Part No.	Type	Dimensions L x W (mm)
JPW19117	Straight	75 x 56
JPW19118	Angled	82 x 76



Barrel Bolts Stainless Steel

Highly polished heavy duty cast 316-grade stainless steel barrel bolts.

Part No.	Dimensions L x W (mm)	Mount Screws (mm)
JPW4691	90 x 38	5 c/s
JPW4693	108 x 38	5 c/s

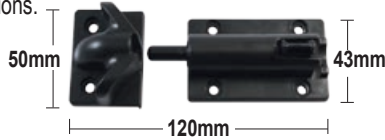


Barrel Spring Bolt - Black Nylon

Non-corrosive nylon spring-loaded barrel bolt.

- Ideal for marine applications.

Part No.	Dimensions L x H (mm)
JPW5424	120mm x 43mm



Saddle Eye Straps - Stainless Steel

316-grade stainless steel saddle eye strap with countersunk fastening holes.

Part No.	Dimensions L x H (mm)	Fastening Holes (mm)
JPW19166	53 x 17	2 x 4
JPW19167	63 x 20	2 x 5
JPW19168	67 x 53	2 x 6



Pad Eye - Stainless Steel

316-grade stainless steel eye plate.

- Stamped and welded.

Part No.	Dimensions L x H (mm)	Fastening Holes (mm)
JPW19157	89 x 32 x 32	2 x 6mm
JPW19158	102 x 36 x 36	2 x 6mm



Grab Handle - Black Nylon

Non-corrosive nylon grab handle.

Part No.	Dimensions L x H (mm)	Hole Dia (mm)
JPW5425	145 x 25 x 40	5



Grab Handle Stainless Steel

Heavy duty cast 316-grade stainless steel with four 5mm countersunk fastening holes.

Part No.	Dimensions L x H (mm)
JPW4725	150 x 50

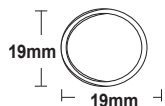


Hand Rails - Stainless Steel

Polished 19mm diameter 304-grade stainless steel hand rail.

- Two 8mm countersunk fastening holes.

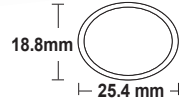
Part No.	Dimensions L x H (mm)
JPW4710	320 x 55
JPW4711	420 x 55
JPW4712	520 x 55
JPW4713	720 x 55



Stud Mount Hand Rails - Stainless Steel

Polished 304-grade stainless steel hand rail with flange and 8mm BSW studs.

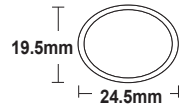
Part No.	Dimensions L x H (mm)
JPW4730	235 x 60
JPW4731	305 x 60
JPW4732	365 x 60
JPW4733	465 x 60



Stud Mount Hand Rails - Stainless Steel

Polished 304-grade stainless steel hand rail, non-flanged 6mm studs.

Part No.	Dimensions L x H (mm)
JPW4735	300 x 50
JPW4736	450 x 50
JPW4737	600 x 50



6 Louvre Vents - ABS Plastic

Strong UV-stabilised ABS plastic vents with rounded corners.

- Six 5mm countersunk fastening holes.

Part No.	Colour	Dimensions L x H (mm)
JPW1230	Black	260 x 125
JPW1231	White	260 x 125



Louvre Vents with Serration - Nylon

UV-resistant nylon with a serration across the centre so it can be made into two smaller vents, if required.

- Two 6 louvres per vent.
- 12 x 8mm countersunk fastening holes.

Part No.	Colour	Dimensions L x H (mm)
JPW1235	White	256 x 118
JPW1236	Black	256 x 118



Blower Vents - ABS Plastic

Louvre ventilators made from ABS plastic with a hose tail end for connection to 75mm bilge blower exhaust outlet hose.

- Four 8mm countersunk fastening holes.

Part No.	Colour	Dimensions L x W x H (mm)
JPW1237	White	90 x 90 x 50
JPW1238	Black	90 x 90 x 50



Louvre Vents - Stainless Steel

Made from pressed 304-grade stainless steel with a mirror-polished surface and low-profile design for a slimline look.



Part No.	Dimensions L x W (mm)	Protrusion (mm)	No. Louvres	Fastening Holes
JPW1241	127 x 65	2.8	3	6 x 4.5mm
JPW1242	228 x 127	4.9	15	12 x 4.5mm
JPW1243	230 x 115	3.5	2 x 6	10 x 4.5mm
JPW1244	127 x 115	5.6	5	6 x 4.5mm

Flush Mount Vents - Nylon

ABS plastic flush mount louvre vents; suitable for lockers, doors, cupboards, etc.

- Four 8mm countersunk fastening holes.



Part No.	Colour	Dimensions L x W (mm)
JPW1239	White	90 x 90
JPW1240	Black	90 x 90

Mini Clam Vents - Stainless Steel

Commonly used as anchor well drain covers or for covering thru-transom wiring connections.

- Pressed 316-grade stainless steel.

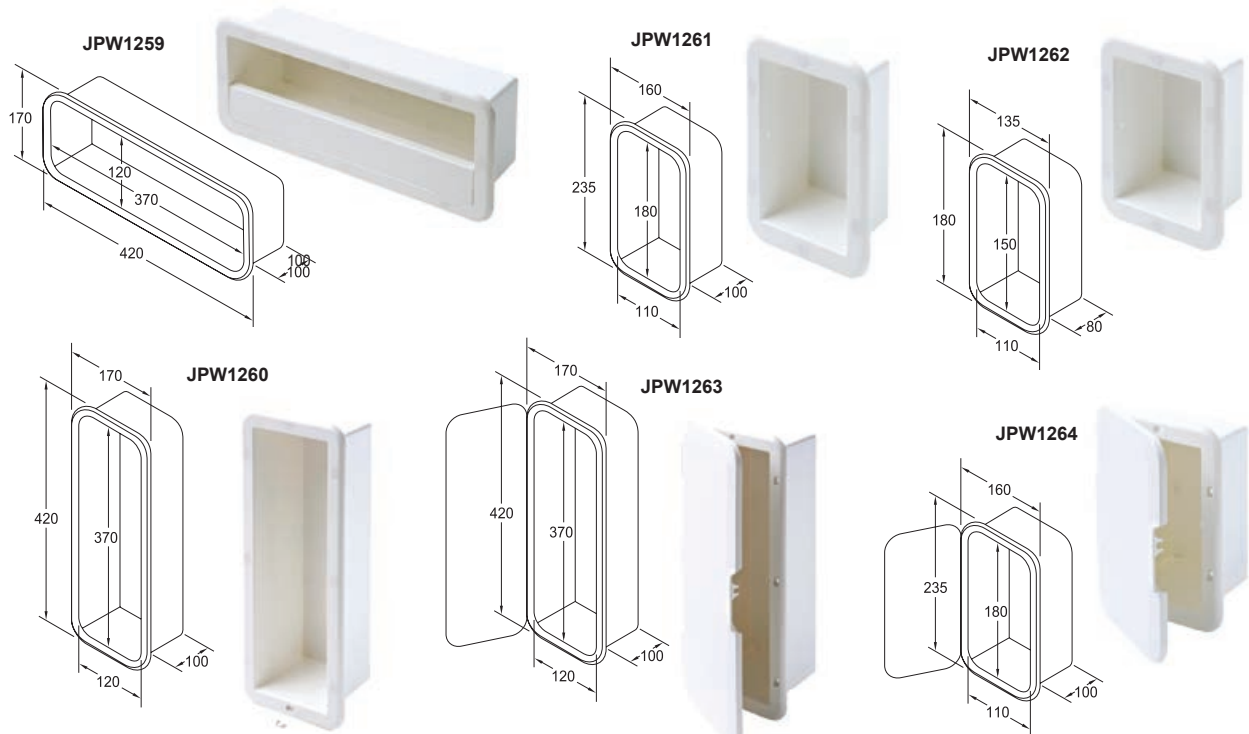


Part No.	Dimensions L x W x H (mm)	Fastening Holes
JPW1245	43 x 42 x 10	3 x 3mm
JPW1246	57 x 55 x 13	3 x 3.75mm

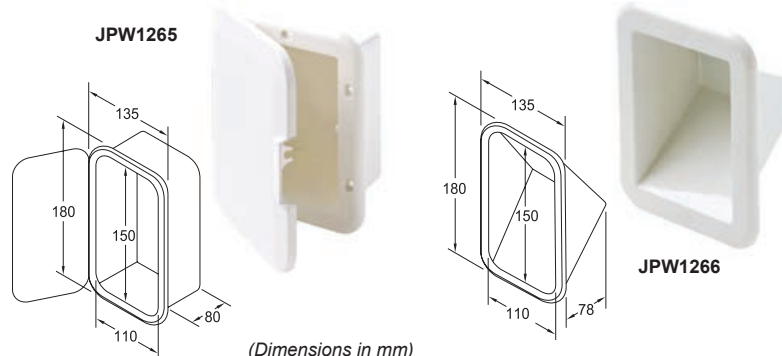
Storage Cases - White ABS Plastic

A range of white ABS plastic recessed boxes ideal for use as recessed storage pockets in a dry or covered area.

- Can be used for storage, transom shower holders, battery isolator enclosure and a variety of other uses.



Part No.	Type
JPW1259	Open Horizontal
JPW1260	Open
JPW1261	Open
JPW1262	Open
JPW1263	With Door
JPW1264	With Door
JPW1265	With Door
JPW1266	Open



(Dimensions in mm)

Folding Drink Holder Adjustable

Mounts easily to any vertical surface. Folds up near flat after use - protrudes only 23mm when folded up. Made from sturdy ABS plastic.

- Adjustable opening to suit cans, bottles or glasses.

Part No.	Colour	Drink Size Dia (mm)	Fastening Holes
JPW3863	White	75 - 165	4 x 5mm c/s
JPW3864	Black	75 - 165	4 x 5mm c/s



Folding Drink Holder Stainless Steel

Stainless steel folding drink holder with adjustable arm grips.

Part No.	Dimensions L x D x W (mm)
JPW3869	102 x 21 x 98



Glove Box - Standard

Strong, lightweight glove boxes with stainless steel hinge pins and key lock. Includes two moulded recessed drink holders on inside of door.

- Supplied with pre-installed lock, two keys and four countersunk mounting screws.



Part No.	Door Size (mm)	Depth Behind Dash (mm)	Cut-out Size (mm)
JPW5153	340 x 140	155	300 x 100

Folding Drink Holder

Mounts easily to any vertical surface. Folds up near flat after use - protrudes only 23mm when folded up. Made from sturdy ABS plastic.

- Fixed size opening.

Part No.	Colour	Drink Size Dia (mm)	Fastening Holes
JPW3865	White	85 max	3 x 5mm
JPW3866	Black	85 max	3 x 5mm



Glove Box with Drink Holders

Lockable glove box with textured finish. Strong quad hinged front cover complete with two folding drink holders. Cup holders suit standard cans and bottles and adjust to smaller containers.

- Complete with lock set fitted.
- Includes six stainless steel fastening screws.



Part No.	Door Size (mm)	Depth Behind Dash (mm)	Cut-out Size (mm)
JPW5154	340 x 140	153	300 x 100

Recessed Drink Holder - 110mm

Black plastic large recessed drink holders with moulded drain outlet to suit 10mm hose.

Part No.	• 110mm wide x 88mm deep.
JPW3867	



Drink Holder with Drain - Stainless Steel

Large stainless steel drink holders with drain hose barb for hose connection.

Part No.	Type	I.D. (mm)	Cut-Out (mm)	Height (mm)
JPW3862	Standard	90	92.5	95
JPW3871	In-Built LED	90	92.5	95



Gimballed Mount Drink Holder - White

Bracket mount drink holder, holds your large bottle or a can with stubbie holder and a couple of lures, so they're right where you need them!

Part No.	Drink Size Dia (mm)
JPW3870	85 max



Single & Double Ring Drink Holders - Stainless Steel

Stylish ring drink holders made from polished 316 stainless steel.

- Ideal for larger cabin cruisers or yachts.
- Fastens from below to retain the clean lines (screws and washers not included).

Part No.	Type	Height (mm)	O.D. Width (mm)	I.D. Width (mm)	Thread Type
JPW3860	Single Ring	70	105	90	1/4" x 2"
JPW3861	Double Ring	70	105	90	1/4" x 2"



Shock Cord Buttons

High quality, Australian-made and UV-stabilised.

- Plastic cord button to suit 5-7mm bungee straps.

Part No.	Colour
JPW5443	White
JPW5444	Black



Saddles

Strong, high quality and Australian-made.

- Two 5mm fastening holes.

Part No.	Description	Dimensions L x W (mm)
JPW5483	Black Nylon	50 x 17



Shock Cord Utility Loops

Shockcord loops made from UV-stabilised moulded nylon head fitting with shock cord loop for tensioning canopies and covers as well as securing ice box lids, etc.

Black Part No.	White Part No.	Loop Size (mm)	Cord Dia (mm)
JPW5500	JPW5505	70	6
JPW5501	JPW5506	80	6
JPW5502	JPW5507	90	6
JPW5503	-	100	6
JPW5504	-	110	6
JPW5509	-	160	6



- Length of loop taken from fixing point to extent of loop.

Webbing Strap Buckle - Nylon

Part No.	Description
JPW5463	25mm Nylon Webbing Strap Buckle



25mm Webbing Hook - Stainless Steel

- 316 stainless steel canopy strap hook.
- Suits 25mm webbing.

Part No.	Dimensions W x H (mm)
JPW5462	35 x 33



Lashing Hooks - Nylon

Strong, high quality, UV-stabilised and Australian-made.



White Part No.	Black Part No.	Suit Cord Size Dia (mm)	Base Size (mm)
JPW5458	JPW5459	8	41 x 22
JPW5456	JPW5457	5	42 x 19

25mm Webbing Snap Hook - Stainless Steel

- 316-grade stainless steel.
- Suits 25mm webbing.
- Sold as a pair.

Part No.	Dimensions W x H (mm)
JPW4920	35 x 54



Lashing Buttons - Nylon

Strong, high quality, UV-stabilised and Australian-made.

Part No.	Colour	Dimensions L x W (mm)
JPW5460	White	33 x 25
JPW5461	Black	33 x 25

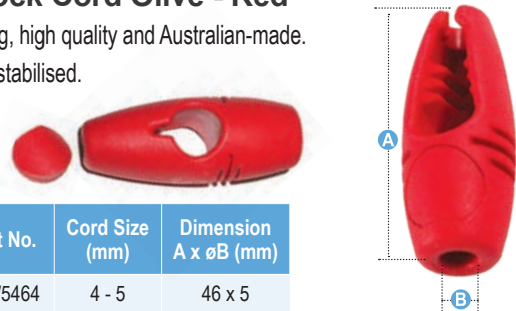


Shock Cord Olive - Red

Strong, high quality and Australian-made.

- UV-stabilised.

Part No.	Cord Size (mm)	Dimension A x øB (mm)
JPW5464	4 - 5	46 x 5
JPW5465	5 - 7	67 x 6.5



Saddle Flat Webbing - Black Nylon

Strong, high quality and Australian-made.

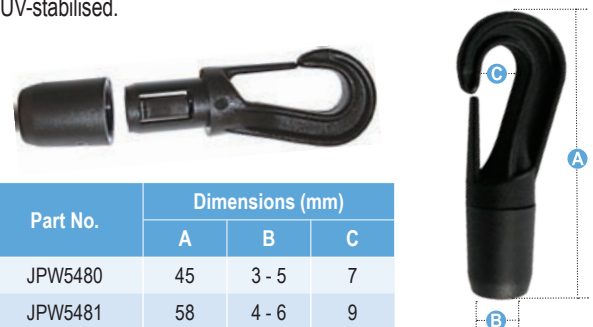


Part No.	Fastening Holes	Webbing Size (mm)
JPW5485	2 x 4mm	25
JPW5487	2 x 5mm	25
JPW5489	2 x 5mm	50

Shock Cord Quick Connect - Black

- Strong, high quality and Australian-made.
- UV-stabilised.

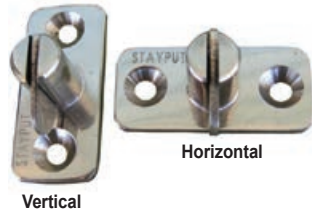
Part No.	Dimensions (mm)		
	A	B	C
JPW5480	45	3 - 5	7
JPW5481	58	4 - 6	9
JPW5482	70	5 - 8	11



Stayput Stainless Steel Fasteners

Made from 316-grade stainless steel, offering increased strength and a smooth appearance. Use to fix fabric to a boat, building or vehicle.

- Secure using a 6g countersunk screw or a 3mm pop rivet.

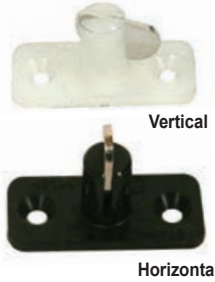


Part No.	Description
JPW5421	Stayput Fastener S/S Single Horizontal
JPW5422	Stayput Fastener S/S Single Vertical

Stayput Plastic Fasteners - Single

Horizontal or vertical fasteners fix fabric to a boat, building or vehicle. Accepts one eyelet (9.5mm approx).

- Secure using a 6g countersunk screw or a 3mm pop rivet.
- Supplied as a pack of two in black or white.



Part No.	Type	Colour
916520	Horizontal Single Two-Pack	White
916521	Horizontal Single Two-Pack	Black
916524	Vertical Single Two-Pack	White
916525	Vertical Single Two-Pack	Black

Stayput Plastic Fasteners - Double

Horizontal or vertical fasteners fix fabric to a boat, building or vehicle. Accepts two eyelets (9.5mm approx).

- Secure using a 6g countersunk screw or a 3mm pop rivet.
- Supplied as a pack of two in black or white.



Part No.	Type	Colour
916522	Horizontal Double Two-Pack	White
916526	Vertical Double Two-Pack	White

Tube Holder - Black Nylon

High quality, Australian-made, UV-stabilised; ideal for paddles, boat hooks, landing nets etc.

- Size shown is the outside diameter of the tube that it will hold.
- Sold as singles or in pairs.



Single Part No.	Pair Part No.	Inside Dia (mm)
JPW5474	JPW5474P	16
JPW5475	JPW5475P	20
JPW5476	JPW5476P	25
JPW5477	JPW5477P	30
JPW5478	JPW5478P	38
JPW5479	JPW5479P	48

Economy Range Canopy Fittings - Black Nylon

Nylon canopy fittings to suit each other.



Part No.	Type
JPW5440	16mm Tube Insert
JPW5441	16 - 18mm Tube Knuckle
JPW5442	Deck Mount with Screw
JPW5446	Thumb Screw Replacement

Canopy Thumb Screws

High quality, Australian-made and UV-stabilised moulded nylon plastic tops. Used with canopy mounts, making it easier to tighten or loosen your canopy.

- All have 20mm long stainless bolts with 6mm metric thread.



Part No.	Colour	Type
JPW5427	White	20mm Star Bolt
JPW5428	Black	20mm Star Bolt
JPW5429	White	25mm 2 Eared
JPW5433	White	25mm 3 Eared
JPW5445	Black	25mm 3 Eared

Canopy Tube Knuckles - Nylon

- UV-stabilised nylon.

Part No.	Colour	To Suit Outside Tube Dia (mm)
JPW5430	White	20
JPW5437	Black	20
JPW5455	White	25
JPW5435	Black	25



Canopy Tube Ends - Nylon

- UV-stabilised nylon.

Part No.	Colour	Tongue Size (mm)	To Suit Outside Tube Dia (mm)
JPW5431	White	6.5	20
JPW5436	Black	6.5	20
JPW5454	White	7	25
JPW5434	Black	7	25
JPW5452	White	8	25
JPW5453	Black	8	25



Canopy Deck Mounts - Nylon

Nylon plastic with nut and bolt to suit tube end.



Part No.	Colour	Size	Dimensions L x W x H (mm)	Gap Size (mm)
JPW5432	White	Small	60 x 19 x 20	7
JPW5438	Black	Medium	60 x 18 x 30	7

Canopy Tube Knuckles - Stainless Steel

Cast 316-grade stainless steel, mirror polished.

- Secure tube with allen key grub screw.
- Ideal for setting up tube-work around your boat.

Part No.	Suit Tube O.D.	Type
JPW19074	7/8" (22mm)	Heavy Duty
JPW19077	1" (25mm)	Heavy Duty
JPW19076	3/4" (19mm)	Standard
JPW19106	7/8" (22mm)	Standard
JPW19107	1" (25mm)	Standard



Canopy Deck Hinge - Stainless Steel

Cast 316-grade stainless steel mirror polished deck mount hinges. Connect canopy to deck or rail.



Part No.	Base Size (mm)	Pin Type	Mount Type
JPW19086	52 x 17	Screw Pin	90°
JPW19108	52 x 17	Release Pin	90°
JPW19088	52 x 17	Screw Pin	Heavy Duty 90°
JPW19111	52 x 17	Screw Pin	10°
JPW19121	52 x 17	Release Pin	10°
JPW19109	52 x 17	Screw Pin	Rail
JPW19110	52 x 17	Release Pin	Rail
JPW19120	Spare Canopy Quick Release Pin		

Hinged Canopy Tube Knuckle Clamps - Stainless Steel

Made from 316-grade stainless steel, the design allows quick and easy fitting to a canopy system without having to disassemble the entire canopy.

Part No.	Suits Tube Dia
JPW19162	7/8" (22mm)
JPW19163	1" (25mm)



Canopy Tube Ends - Stainless Steel

Mirror polished cast 316-grade stainless steel.

- Small grub screw for securing to tube.

Part No.	Suits Tube Dia (mm)	Tongue Size (mm)	Type
JPW19119	20	7	Standard
JPW19104	22	7	Standard
JPW19105	25	7	Standard
JPW19072	22	10	Heavy Duty
JPW19073	25	10	Heavy Duty



Canopy Tube Insert - Stainless Steel

Cast 316-grade stainless steel, mirror polished.



Part No.	Suit Tube O.D. (mm)	Suit Tube I.D. (mm)	Tongue Size (mm)
JPW19075	20	16	7
JPW19160	22	18.5	5.5
JPW19161	25	21	5.5

Canopy Side Mounts - Stainless Steel

Cast 316-grade stainless steel side deck mount connect canopy to vertical or near vertical surfaces.



Part No.	Base Size (mm)
JPW19087	22 x 50.8
JPW19089	74.5 x 47.6

Round Base Rail Fittings - Stainless Steel

Cast 316-grade stainless steel rail fittings with round base, mirror polished finished.

Part No.	Suit Tube O.D.	Angle Degree
JPW19130	7/8" (22mm)	30°
JPW19131	1" (25mm)	30°
JPW19132	7/8" (22mm)	45°
JPW19133	1" (25mm)	45°
JPW19128	7/8" (22mm)	60°
JPW19129	1" (25mm)	60°
JPW19140	3/4" (19mm)	90°
JPW19134	7/8" (22mm)	90°
JPW19135	1" (25mm)	90°



60° Rail Centre & End Fittings

Cast 316-grade stainless steel make your own hand rails to any desired length using the end and centre fittings to suit 22mm and 25mm outside diameter tubes. Two 4mm fastening holes.



End Part No.	Centre Part No.	Suit Tube O.D.	Angle Degree
JPW19054	JPW19053	7/8" (22mm)	60°
JPW19125	JPW19123	1" (25mm)	60°

Tee Fittings - Stainless Steel

Cast 316-grade stainless steel tee fittings, mirror polished finished.



Part No.	Suit Tube O.D.	Angle Degree	Grub Screws
JPW19141	3/4" (19mm)	90°	One side
JPW19138	7/8" (22mm)	90°	One side
JPW19139	1" (25mm)	90°	One side
JPW19136	7/8" (22mm)	60°	Centre
JPW19137	1" (25mm)	60°	Centre

Corner Fitting 3 x Tube - Stainless Steel

Cast 316-grade stainless steel fittings, mirror polished finished.



Part No.	Suit Tube O.D.	Angle Degree
JPW19149	7/8" (22mm)	3 tube 90°
JPW19150	1" (25mm)	3 tube 90°

Cross Fitting 4 x Tube - Stainless Steel

Cast 316-grade stainless steel four tube cross fittings, mirror polished finished.



Part No.	Suit Tube O.D.
JPW19142	7/8" (22mm)
JPW19143	1" (25mm)

End Mount Rail Fittings - Stainless Steel

Cast 316-grade stainless steel hand rail ends with 90° centres and curved finish.

- To suit 22mm and 25mm outside diameter tubes.



Part No.	Suits Tube Dia (mm)	Height (mm)
JPW19145	7/8" (22mm)	38
JPW19146	1" (25mm)	38

90° Elbow Rail End Fittings - Stainless Steel

Cast 316-grade stainless steel hand rail ends with 90 degree elbow.



Part No.	Suit Tube O.D.
JPW19147	7/8" (22mm)
JPW19148	1" (25mm)

Flush Mount Flag Pole Holder - Stainless Steel

- Cast 316-grade stainless steel angled style flag pole holder.
- Hole cut-out and mounted inside gunwale.
- 68mm diameter base.
- Three 6mm fastening holes.



Part No.	Dia of Pole (mm)	Cut-out Size (mm)	Angle
JPW19069	25	38	5°

Surface Mount Flag Pole Holder - Stainless Steel

- Cast 316-grade stainless steel angled style with allen key grub screw to hold flag pole in place.
- 68mm diameter base.
- Three 4mm fastening holes.



Part No.	Type	Dia of Pole (mm)	Height (mm)
JPW19067	Top Mount	25	48

Swivel Mount Antenna Base - Stainless Steel

- Heavy duty cast 316-grade stainless steel deck mount antenna base.
- Base mounting horizontally or vertically with double angle adjustment and locking handle.
 - Suits various internally threaded GPS antennas and other aerials with 3/4" female thread size.
 - Four 6mm fastening holes.



Part No.	Dimensions L x W x H (mm)	Thread
JPW19066A	92 x 64 x 108	3/4"

Rail Mount Antenna Holder - Stainless Steel

Heavy duty cast stainless steel rail mount antenna base to suit 7/8" or 1" rails.

- Full ratchet angle adjustment and locking handle.
- Suits various internally threaded GPS antennas and other aerials with 3/4" female thread size.



Part No.	Suits Tube Size	Thread
JPW19066B	7/8"-1"	3/4"

Deck Mount Antenna Base - Stainless Steel

Straight antenna base with three 6mm fastening holes.

- Suits various internally threaded GPS antennas and other aerials.



Part No.	Base Dia (mm)	Height (mm)	Thread
JPW1286	77	105	3/4"

Swivel Mount Antenna Base - Nylon

ABS plastic quick release antenna base with stainless steel bolts & nuts. Adjusts in all directions.

- Suits various internally threaded GPS antennas and other aerials.
- Four 8mm fastening holes.



Part No.	Base Dimensions L x W (mm)	Thread
JPW1284	93 x 65	3/4"

Deck Mount Antenna Base - White Nylon

ABS plastic standard straight antenna base with three 6mm fastening holes.

- Suits various internally threaded GPS antennas and other aerials.



Part No.	Base Dia (mm)	Tread Height (mm)	Thread
JPW1285	70	40	3/4"

Folding Step - Stainless Steel

A heavy duty, solid cast 316-grade stainless steel folding step.

- Two 8mm fastening holes.

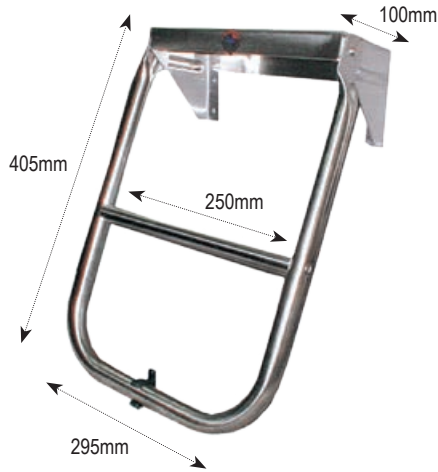


Part No.	Dimensions L x W (mm)	Step Dimensions L x W (mm)
JPW19170	108 x 44	83 x 50

Fold-Up Boarding Ladder - Stainless Steel

Three-step stainless steel boarding ladder mounts on the back of your transom when there is no swim platform.

- Leg swings back to clip securely away when boat is in motion.



Part No.
JPW6140

Removable Ladder - Aluminium

Three-step stainless steel boarding ladder mounts on the back of your transom when there is no swim platform.

- Leg swings back to clip securely away when boat is in motion.
- Comes complete with mounting brackets and fixing screw.
- The ladder is fully removable and will stow away easy when not needed.



Part No.	Open Length (mm)	Folded Length (mm)	Width (mm)
JPW6141	820	500	205

Top Mount Telescopic Ladder - Stainless Steel

- 304-grade stainless steel telescopic boarding ladders.
- Compact design with moulded black vinyl tread on each step for comfortable boarding.
- Hinged bracket to allow ladder to fold over platform when not required.



Part No.	Type	Open Length (mm)	Closed Length (mm)	Top Width (mm)	Bottom Width (mm)
JPW6143	2-Step	600	350	290	270
JPW6142	3-Step	880	380	290	270
JPW6144	4-Step	1160	405	290	270

Hatch Holder Spring - Stainless Steel

Hold hatches open with this solid stainless steel spring type hatch holder. To operate, simply push the spring sideways to release and close the hatch.

The ends pivot and rotate to allow a variety of mounting positions, making it ideal also for table leaves, ice box lids, etc.



Part No.	Length
JPW19256	210mm
JPW19257	260mm

Under Platform Telescopic Ladder - Stainless Steel

316-grade stainless steel telescopic boarding ladders.

- Anti-slip and UV-stabilised flat steps.
- For under platform mounting.

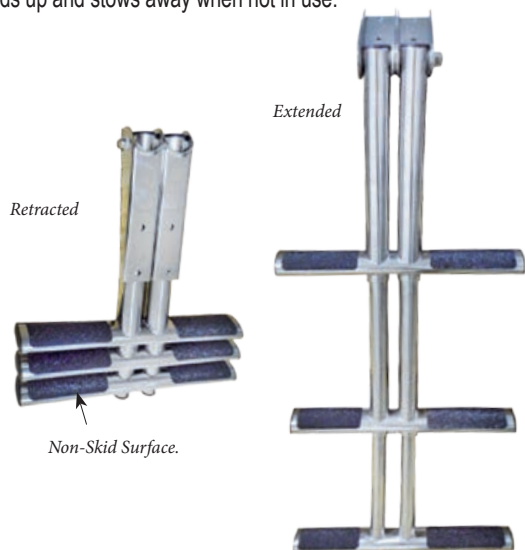


Part No.	Type	Open Length (mm)	Closed Length (mm)	Top Width (mm)	Bottom Width (mm)
JPW6145	2-Step	600	300	270	227
JPW6146	3-Step	700	320	275	227
JPW6147	4-Step	1160	355	275	227

Telescopic Dual Dive Ladder - Stainless Steel

Heavy duty 316-grade stainless steel telescopic boarding ladder is ideal for diving, with wide open steps giving easy access for divers wearing flippers.

- Dual centre post for added strength and hand holds when climbing.
- Folds up and stows away when not in use.



Part No.	Type	Open Length (mm)	Closed Length (mm)	Width (mm)
JPW6150	3-Step	870	390	350
JPW6151	4-Step	1150	440	350

Boat Rego Numbers & Letters

- Self adhesive, black on white background.
- Meets Department of Transport approval.



Small - 65 x 50mm

Large: 160 x 85mm

Small Part No.	Large Part No.	Number / Letter
JPW5351-0	JPW5350-0	0
JPW5351-1	JPW5350-1	1
JPW5351-2	JPW5350-2	2
JPW5351-3	JPW5350-3	3
JPW5351-4	JPW5350-4	4
JPW5351-5	JPW5350-5	5
JPW5351-6	JPW5350-6	6
JPW5351-7	JPW5350-7	7
JPW5351-8	JPW5350-8	8
JPW5351-9	JPW5350-9	9
JPW5351-A	JPW5350-A	A
JPW5351-B	JPW5350-B	B
JPW5351-C	JPW5350-C	C
JPW5351-D	JPW5350-D	D
JPW5351-E	JPW5350-E	E
JPW5351-F	JPW5350-F	F
JPW5351-G	JPW5350-G	G
JPW5351-H	JPW5350-H	H
JPW5351-I	JPW5350-I	I
JPW5351-J	JPW5350-J	J
JPW5351-K	JPW5350-K	K
JPW5351-L	JPW5350-L	L
JPW5351-M	JPW5350-M	M
JPW5351-N	JPW5350-N	N
JPW5351-O	JPW5350-O	O
JPW5351-P	JPW5350-P	P
JPW5351-Q	JPW5350-Q	Q
JPW5351-R	JPW5350-R	R
JPW5351-S	JPW5350-S	S
JPW5351-T	JPW5350-T	T
JPW5351-U	JPW5350-U	U
JPW5351-V	JPW5350-V	V
JPW5351-W	JPW5350-W	W
JPW5351-X	JPW5350-X	X
JPW5351-Y	JPW5350-Y	Y
JPW5351-Z	JPW5350-Z	Z

StopGull Air



The StopGull Air prevents the landing of seagulls and coastal birds on boats, boat's hardtops, inflatables, sailboats and professional vessels. It's easy to install and can be folded or removed from its base and stowed. The flags housed at the end of the bar start to rotate when wind hits them, deterring gulls and shorebirds from perching on the boat. This handy deterrent against birds can be applied to any part of your boat using additional supports.

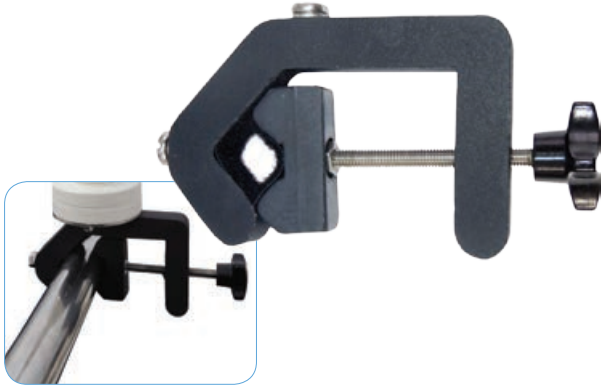


Part No.	Description
JPW10310	StopGull Air - bird deterrent

StopGull Air - Handrail Support



This StopGull Air Support can be attached to 22 - 38mm diameter handrails and is made of anodised aluminium. The handrail support can be fitted in vertical or horizontal position, and is quick and easy to install.



Part No.	Description
JPW10315	StopGull Air Handrail Support

StopGull Air Bimini Support - Open

The StopGull Air Bimini Support allows you to mount the StopGull Air onto an open bimini and is adaptable for tubes from 22 to 28mm. Manufactured from 316-grade stainless steel, and can be folded with the bimini arch support installed.



Part No.	Description
JPW10316	StopGull Air Bimini Open Support

StopGull Air Suction Cup Support



The StopGull Air suction cup support is suitable for installation of the StopGull Air device at hatches, outboard motors, etc. The suction cup support includes the base to fit the StopGull Air device easily.



Part No.	Description
JPW10317	StopGull Air Suction Cup Support

StopGull Air Bimini Support - Folded

This StopGull support attaches to a folded bimini, for mounting the StopGull Air.



Part No.	Description
JPW10318	StopGull Air Bimini Folded Support

StopGull Air Boom Support



The StopGull Boom Support allows you to attach the StopGull Air device to any boom on your sailboat. It has textile tapes of one meter long to cover the boom when the sails are folded.



Part No.	Description
JPW10319	StopGull Air Boom Support

StopGull Air RIB Support Kit



This StopGull Support will fit the StopGull Air device to all kinds of inflatable boats. Made from a nautical acrylic fabric with flexible ropes and four hooks to fix at the external profile of the inflatable boat. It also includes a telescopic mast for its final tightening.



Part No.	Description
JPW10320	StopGull Air RIB Support Kit

StopGull Air Sandbag Support



The StopGull Sandbag Support is suitable for installing the StopGull Air device on rough surfaces as well as deck mats.



Part No.	Description
JPW10321	StopGull Air Sandbag Support

StopGull Air Boat Vent 3 Support

The StopGull Air can be installed on the mooring canvas through the Boat Vent 3 device to provide two great benefits. It prevents seagulls and coastal birds from landing on the mooring canvas and at the same time allows the inside of the boat to aerate to prevent moisture, mildew and bad smell.



Part No.	Description
JPW10322	StopGull Air Boat Vent 3 Support

StopGull Air Keeper



Designed to be installed on the radar, TV antenna, lamp posts, marine installations, etc. where gulls and shorebirds use as a lookout point. It bases its deterrent in the disposal of its rods and its movement by the wind. Installation requires an industrial adhesive.

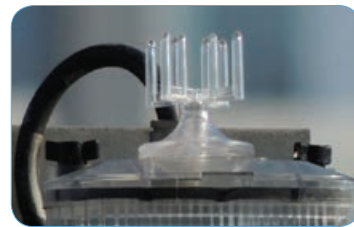


Part No.	Description
JPW10326	StopGull Air Keeper

StopGull Air S27 Transparent



The swivel piece StopGull S27 is designed for installing on critical points on your boat to deter gulls and shorebirds. Prevents birds landing on the mast spreaders, top of mast, nav lights, etc. Can be installed at port signals. Includes a double sided adhesive for installation.



Part No.	Description
JPW10327	StopGull Air S27 Transparent

StopGull Air Falcon



Deters shorebirds from mega-yachts and marinas. Its effect is instantaneous and permanent through a slight breeze that allows it to perform chopped flights up 10 metres, casting a shadow and silhouette over long distances. Made from strong aeronautical fabric and supplied with a 7 metre telescopic pole and invisible rope.



Part No.	Description
JPW10331	StopGull Air Falcon - Mast with 7m Pole

StopGull Air Telescopic Pole Support

For use with the Stopgull Air device.

- Two height options - between 85-150cm or 95-180cm



Part No.	Description
JPW10324	Telescopic Support Pole 85 - 150cm
JPW10325	Telescopic Support Pole 95 - 180cm

3-Bow Biminis

Bimini tops can make a real difference in your boating comfort, protecting you from direct sun, wind, cold and rain. Our Bimini's can be easy to put up and take down, all come with sock for storage.

- Suitable for the runabouts and open boats.
- Includes rear support arms and bimini socks standard
- Flat packed for shipping
- Heavy duty, 600D piece-dyed polyester fabric
- PU coated for waterproofing
- UV and mildew treated protection
- Rigid snap - lock frame
- 1" Aluminium tubing with 1.5mm wall thickness
- Heavy duty polyester webbing straps (JPW11395 replacement 1.2m straps)
- Stainless steel (316) fasteners



GREY Part No.	NAVY Part No.	Dimensions		
		A (mm)	B (m)	C (m)
JPW11322	JPW11342	850	1.50	1.5 - 1.7
JPW11325	JPW11343	1100	1.80	1.5 - 1.7
JPW11326	JPW11344	1100	1.80	1.8 - 2.0
JPW11327	JPW11345	1300	1.80	1.5 - 1.7
JPW11328	JPW11346	1300	1.80	1.8 - 2.0
JPW11329	-	1300	1.80	2.0 - 2.3

4-Bow Biminis

Bimini tops can make a real difference in your boating comfort, protecting you from direct sun, wind, cold and rain. Our Bimini's can be easy to put up and take down, all come with sock for storage.

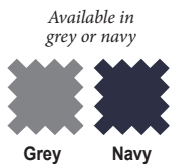
- Suitable for the runabouts and open boats.
- Includes rear support arms and bimini socks standard
- Flat packed for shipping
- Heavy duty, 600D piece-dyed polyester fabric
- PU coated for waterproofing
- UV and mildew treated protection
- Rigid snap - lock frame
- 1" Aluminium tubing with 1.5mm wall thickness
- Heavy duty polyester webbing straps (JPW11395 replacement 1.2m straps)
- Stainless steel (316) fasteners



GREY Part No.	NAVY Part No.	Dimensions		
		A (mm)	B (m)	C (m)
JPW11330	JPW11348	1300	2.4	1.5 - 1.7
JPW11331	JPW11349	1300	2.4	1.8 - 2.0
JPW11332	JPW11350	1300	2.4	2.0 - 2.3

Bimini Socks

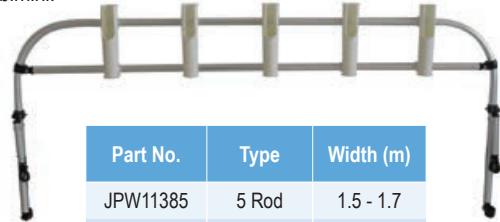
Replacement bimini socks to suit 3 and 4 bow biminis



Part No.	Colour	Width (m)
JPW11380	Grey	1.5 - 1.7
JPW11381	Grey	1.8 - 2.0
JPW11392	Navy	2.0 - 2.3

Rocket Launchers

Rocket launchers can be bought as an add-on to your existing 3 or 4 bow bimini.



Part No.	Type	Width (m)
JPW11385	5 Rod	1.5 - 1.7
JPW11386	5 Rod	1.8 - 2.0
JPW11387	6 Rod	2.0 - 2.3

Aluminium Tube

Spare aluminium tube for use to repair bimini poles.



Part No.	Size O.D	Wall Thickness (mm)	Length (m)
JPW11283	1" (25mm)	1.6	2

T-Top



This classic and well-tested model gives perfect weather protection over the wheel and is adjustable to fit a range of centre console widths.

- Can be shortened to required height.
- 32mm bright-dipped aluminium tube.
- Equipment can be mounted on upright crossbars.
- All connectors and mounts made from marine grade polymers with 316-grade stainless steel fasteners.



Available in navy

Part No.	Colour	T-Top Length (A)	T-Top Width (B)	Max. Console Width (C)
JPW11441	Blue	1.7m (67")	1.2m (47")	0.85m (33")
JPW11442		1.7m (67")	1.4m (55")	1.05m (41")

Universal Storage Cover



- Made from extra strong 140g/m² – 4.15oz/yd² Epsilon™ fabric.
- Spunbond fabric, breathable and water resistant.
- An economical cover available in 4 sizes.
- Suitable for seasonal storage.
- Fits a variety of boat styles.
- 20 metres of tie-down rope included.
- No metal parts or abrasive seams.



Part No.	Size	Fits Boats	Max. Beam Width	Overall Cover Fabric (W x L)
JPW11461	A-Small	3.3 - 4.0m	1.8m	2200 x 4475mm
JPW11462	B-Medium	4.0 - 4.5m	2.05m	2800 x 5220mm
JPW11463	C-Large	4.5 - 5.4m	2.4m	3400 x 5950mm
JPW11464	D-Extra Large	5.4 - 6.4m	2.6m	3400 x 7185mm

Heavy Duty T-Top



This 2016 model improves performance and durability. The 44mm bright-dipped aluminium tube uprights now feature a large radius for greater strength to spread 'load' evenly across frame reducing vibration and structural fatigue.

- Manufactured with a superior (BASF) Capron HMGB nylon blend.
- 100% Dope dyed polyester ATLAS canvas *GOLDEN RANGE*
- 316-grade stainless steel fasteners.



Available in black or navy

Part No.	Colour	T-Top Length	T-Top Width	Max. Console Width
JPW11446	Blue	2.0m (79")	1.40m (55")	1.05m (41")
JPW11447	Black	2.0m (79")	1.40m (55")	1.05m (41")

Universal Trailerable Cover



Fits a variety of boat styles, this is a durable and economical solution for boat storage and occasional light trailering.

- Available in 4 sizes.
- Constructed from 300g/m² heavy duty canvas, water resistant and breathable.
- An excellent choice for year round storage or a trailerable cover.



Supplied with tie-down straps, trailerable straps and a handy storage bag.

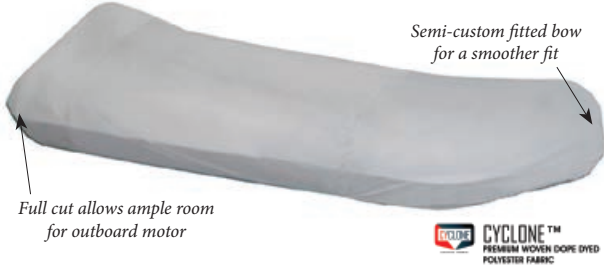
Part No.	Size	Fits Boats	Max. Beam Width	Overall Cover Fabric (W x L)
JPW11468	A-Small	3.3 - 4.0m	1.8m	2200 x 4475mm
JPW11469	B-Medium	4.0 - 4.5m	2.05m	2800 x 5220mm
JPW11470	C-Large	4.5 - 5.4m	2.4m	3400 x 5950mm
JPW11471	D-Extra Large	5.4 - 6.4m	2.6m	3400 x 7185mm

Inflatable Cover



With a full cut rear section, this cover protects your boat and leaves ample room for an outboard motor.

- Full rear cut accommodates outboard storage.
- Cyclone™ woven polyester fabric 300g/m² – 9 oz/yd².
- Trailerable and suitable for highway towing.



Part No.	Boat Length	Max. Beam Width	Overall Cover Fabric (W x L)
JPW11475	2.3 - 2.6m	1.50m	2350 x 3280
JPW11476	2.6 - 2.9m	1.55m	2450 x 3580
JPW11477	2.9 - 3.2m	1.65m	2550 x 3930
JPW11478	3.2 - 3.6m	1.75m	2660 x 4330
JPW11479	3.6 - 3.9m	1.90m	2810 x 4650
JPW11480	3.9 - 4.3m	2.00m	3000 x 5112
JPW11481	4.3 - 4.7m	2.10m	3100 x 5510

Side Console Cover



With its special cut designed to fit around side consoles, these covers will fit smoothly and securely over a variety of boats.

- Fits boats with bow rails up to 150mm height and console (from Gunwale) up to 700mm in height.
- Cyclone™ woven polyester fabric 300g/m² – 9 oz/yd².
- Trailerable and suitable for highway towing.



Part No.	Boat Length	Max. Beam Width	Overall Cover Fabric (W x L)
JPW11497	4.1 – 4.3m	1.95m	2895 x 4960
JPW11498	4.3 – 4.5m	2.05m	2940 x 5110
JPW11499	4.5 – 4.7m	2.05m	2995 x 5397
JPW11500	4.7 – 5.0m	2.25m	3195 x 5697
JPW11501	5.0 – 5.3m	2.4m	3445 x 5997
JPW11502	5.3 – 5.7m	2.4m	3445 x 6297

Open Boat Cover



Easy to use weather and UV protection. Suits a variety of open boats with a smooth fit across boat and around hull.

- Cyclone™ woven polyester fabric 300g/m² – 9 oz/yd².
- Fits boats with bow rails up to 150mm height.
- Trailerable and suitable for highway towing.



Part No.	Boat Length	Max. Beam Width	Overall Cover Fabric (W x L)
JPW11485	3.5 – 3.7m	1.60m	2050 x 4300mm
JPW11486	3.7 – 3.9m	1.70m	2150 x 4500mm
JPW11487	3.9 – 4.1m	1.80m	2250 x 4700mm
JPW11488	4.1 – 4.3m	1.95m	2400 x 4900mm
JPW11489	4.3 – 4.5m	2.05m	2500 x 5100mm
JPW11490	4.5 – 4.7m	2.05m	2500 x 5300mm
JPW11491	4.7 – 5.0m	2.25m	2700 x 5600mm
JPW11492	5.0 – 5.3m	2.25m	2700 x 5900mm
JPW11493	5.3 – 5.6m	2.25m	2700 x 6200mm

Runabout Cover



Designed to fit runabouts, providing protection storage and transport.

- Tailored fit across windscreen & smooth fit to stern.
- Fits boats with bow rails up to 250mm height, and windscreen up to 600mm height.
- Cyclone™ woven polyester fabric 300g/m² – 9 oz/yd².
- Trailerable and suitable for highway towing.



Part No.	Boat Length	Max. Beam Width	Overall Cover Fabric (W x L)
JPW11507	4.1 – 4.3m	1.95m	2990 x 5020mm
JPW11508	4.3 – 4.5m	2.05m	2990 x 5220mm
JPW11509	4.5 – 4.7m	2.05m	2990 x 5420mm
JPW11510	4.7 – 5.0m	2.25m	3190 x 5720mm
JPW11511	5.0 – 5.3m	2.40m	3360 x 6020mm
JPW11512	5.3 – 5.6m	2.40m	3360 x 6320mm
JPW11513	5.6 – 5.9m	2.45m	3410 x 6620mm
JPW11514	5.9 – 6.3m	2.50m	3460 x 7020mm
JPW11515	6.3 – 6.7m	2.50m	3460 x 7420mm

Bowrider Cover



Fits the shape of bowrider boats, it allows you to store and transport your boat easily and securely.

- Designed with a wide cut and tailored to fit across windscreen.
- Fits boats with bow rails to 150mm height & windscreens to 600mm height.
- Cyclone™ woven polyester fabric 300g/m² – 9 oz/yd².
- Trailerable and suitable for highway towing.



Part No.	Boat Length	Max. Beam Width	Overall Cover Fabric (W x L)
JPW11520	4.7 – 5.0m	2.25m	3190 x 5660mm
JPW11521	5.0 – 5.3m	2.40m	3360 x 5960mm
JPW11522	5.3 – 5.6m	2.40m	3360 x 6300mm
JPW11523	5.6 – 5.9m	2.45m	3400 x 6600mm
JPW11524	5.9 – 6.3m	2.50m	3440 x 7040mm
JPW11525	6.3 – 6.7m	2.50m	3440 x 7440mm

Cabin Cruiser Cover



Profile cut to accommodate cabins, this cover provides protection from the elements when your boat is stored or trailered.

- Tailored profile cut to accommodate cabin.
- Fits boats with bow rails up to 400mm height and windscreen or cabin up to 900mm height.
- Cyclone™ woven polyester fabric 300g/m² – 9 oz/yd².
- Trailerable & suitable for highway towing.



Part No.	Boat Length	Max. Beam Width	Overall Cover Fabric (W x L)
JPW11540	4.7 – 5.0m	2.25m	3360 x 5960mm
JPW11541	5.0 – 5.3m	2.40m	3900 x 6350mm
JPW11542	5.3 – 5.6m	2.40m	3900 x 6650mm
JPW11543	5.6 – 5.9m	2.45m	3950 x 6950mm
JPW11544	5.9 – 6.3m	2.50m	4040 x 7350mm
JPW11545	6.3 – 6.7m	2.50m	4040 x 7750mm

Centre Console



With a wider cut across the beam to allow for centre consoles, these covers offer unparalleled protection and are available in many sizes.

- Wider cut across beam accommodates centre console.
- Fits boats with bow rails up to 350mm height and console (from Gunwale) up to 800mm height.
- Cyclone™ woven polyester fabric 300g/m² – 9 oz/yd².
- Trailerable & suitable for highway towing.



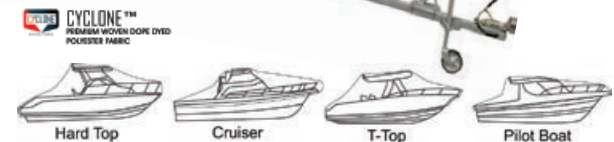
Part No.	Boat Length	Max. Beam Width	Overall Cover Fabric (W x L)
JPW11530	4.7 – 5.0m	2.25m	3270 x 5815mm
JPW11531	5.0 – 5.3m	2.40m	3420 x 6115mm
JPW11532	5.3 – 5.6m	2.40m	3420 x 6415mm
JPW11533	5.6 – 5.9m	2.45m	3470 x 6715mm
JPW11534	5.9 – 6.3m	2.50m	3520 x 7115mm
JPW11535	6.3 – 6.7m	2.50m	3520 x 7515mm

Jumbo Cover



To protect large boats while towing. Suits cruisers, T-tops, pilot boats & hard tops. Specifically designed to fit centre cabin style (large) boats.

- High cut pattern to fit over high rails & rocket launchers.
- Cyclone™ woven polyester fabric 300g/m² – 9 oz/yd².
- Heavy duty cover, ideal for short or long term storage and light trailering use 60km/h max.



Part No.	Boat Length	Max. Beam Width / Height	Overall Cover Fabric (W x L)
JPW11550	5.2 – 5.8m	2.40m x 1.35m	5250 x 7680mm
JPW11551	5.8 – 6.4m	2.40m x 1.35m	5300 x 8180mm
JPW11552	6.4 – 7.0m	2.50m x 1.35m	5500 x 8830mm
JPW11553	7.0 – 7.6m	2.70m x 1.50m	5700 x 9480mm
JPW11554	7.6 – 8.2m	2.90m x 1.50m	5900 x 10080mm

Outboard Storage Covers - Universal

With its soft inner lining, tough UV-resistant fabric, and reinforced stitching, our outboard cover will help protect your motor from the elements.

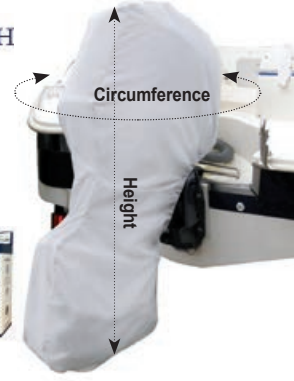
- Felt lining for superior scratch protection. • UV-resistant, weather-proof and water-resistant fabric.
- Draw string ensures a snug fit every time. • Reinforced top-stitched seams.



- Half Covers

- Available in 6 sizes, for both 2- & 4-stroke motors.

Part No.	Fits Engine Sizes	Length	Width	Height
JPW11571	Up to 15hp	520mm	270mm	320mm
JPW11572	15hp – 30hp	560mm	300mm	400mm
JPW11573	30hp – 60hp	620mm	360mm	490mm
JPW11574	60hp – 100hp	680mm	400mm	530mm
JPW11575	100hp – 150hp	740mm	460mm	580mm
JPW11576	175hp – 250hp	820mm	500mm	600mm



- Full Covers

- Available in 8 sizes, for both 2- & 4-stroke motors.

Part No.	Fits Engine Sizes	Circumference	Height
JPW11581	Up to 3.5hp	1260	980mm
JPW11582	3.5 – 6hp	1400	1100mm
JPW11583	8 – 20hp	1500	1250mm
JPW11584	9.9 – 30hp	1650	1370mm
JPW11585	25 – 60hp	1800	1440mm
JPW11586	40 – 100hp	2000	1700mm
JPW11587	70 – 150hp	2260	1900mm
JPW11588	135 – 250hp	2485	1970mm
JPW11589	200 – 300hp	2540	1980mm
JPW11590	200 – 300hp	2540	2100mm

Outboard Storage Covers - Custom Fit

Tailored for specific outboard motor models to give a more secure, close fit.



Evinrude Half Cover

Part No.	Engine
JPW11595	Evinrude G2 200-250hp
JPW11596	Evinrude E-Tec V6 3.3L 200-300hp
JPW11597	Evinrude E-Tec V6 2.6L 135-200hp
JPW11598	Evinrude E-Tec V4 1.7L 90.H.O.-130hp
JPW11599	Evinrude E-Tec 3 Cyl 75-90hp
JPW11600	Evinrude E-Tec 2 Cyl 40-60hp
JPW11601	Evinrude E-Tec 2 Cyl 15H.O.-30hp



Mercury Half Cover

Part No.	Engine
JPW11623	Mercury Verado 6 Cyl 2.6L 200-400hp
JPW11624	Mercury Verado 4 Cyl 1.7L 135-200hp
JPW11625	Mercury 4 Stroke 4 Cyl 3.0L 135-150hp
JPW11626	Mercury 4 Stroke 4 Cyl 2.1L 75-115hp
JPW11627	Mercury 4 Stroke 4 Cyl 40-60hp
JPW11628	Mercury 4 Stroke 3 Cyl 25-30hp



Evinrude Full Cover

Part No.	Engine	Leg Length
JPW11605		20"
JPW11606	Evinrude G2 225-250hp	25"
JPW11607		30"
JPW11608		20"
JPW11609	Evinrude E-Tec V6 3.3L 200-300hp	25"
JPW11610		30"
JPW11611		20"
JPW11612	Evinrude E-Tec V6 2.6L 135-200hp	25"
JPW11613		20"
JPW11614	Evinrude E-Tec V4 1.7L 90H.O.-130hp	25"
JPW11615	Evinrude E-Tec 3 Cyl 75-90hp	20"
JPW11616		25"
JPW11617	Evinrude E-Tec 2 Cyl 40-60hp	20"
JPW11618	Evinrude E-Tec 2 Cyl 15H.O.-30hp	15"
JPW11619		20"

Mercury Full Cover

Part No.	Engine	Leg Length
JPW11632		20"
JPW11633	Mercury Verado 6 Cyl 2.6L 200-400hp	25"
JPW11634		30"
JPW11635		20"
JPW11636	Mercury Verado 4 Cyl 1.7L 135-200hp	25"
JPW11637		20"
JPW11638	Mercury 4 Stk 4 Cyl 3.0L 135-150hp	25"
JPW11639		20"
JPW11640	Mercury 4 Stk 4 Cyl 2.1L 75-115hp	25"
JPW11641		15"
JPW11642	Mercury 4 Stroke 4 Cyl 40-60hp Full Cover 15 Leg	20"
JPW11643		25"
JPW11644	Mercury 4 Stroke 3 Cyl 25-30hp	15"
JPW11645		20"



Outboard Storage Covers - Custom Fit

Tailored for specific outboard motor models to give a more secure, close fit.



Suzuki Half Cover

Part No.	Engine
JPW11649	Suzuki V6 4.0L 250-300hp
JPW11650	Suzuki V6 3.6L 200-250hp
JPW11651	Suzuki 4 Cyl 2.8L 150-175hp
JPW11652	Suzuki 4 Cyl 2.0L 100-140hp
JPW11653	Suzuki 4 Cyl 1.5L 70-90hp
JPW11654	Suzuki 3 Cyl 40-60hp
JPW11655	Suzuki 3 Cyl 25-30hp



Yamaha Half Cover

Part No.	Engine
JPW11673	Yamaha V8 5.3L 350hp
JPW11674	Yamaha V6 4.2L 225-300hp
JPW11675	Yamaha 4 Cyl 2.8L 175-200hp
JPW11676	Yamaha 4 Cyl 2.7L 150hp
JPW11677	Yamaha 4 Cyl 1.8L 115-130hp
JPW11678	Yamaha 4 Cyl 50-70hp
JPW11679	Yamaha 3 Cyl 30-40hp
JPW11680	Yamaha 2 Cyl 25hp



Suzuki Full Cover

Part No.	Engine	Leg Length
JPW11657	Suzuki V6 4.0L 250-300hp	25"
JPW11658		30"
JPW11659	Suzuki V6 3.6L 200-250hp	25"
JPW11660		30"
JPW11661	Suzuki 4 Cyl 2.8L 150-175hp	20"
JPW11662		25"
JPW11663	Suzuki 4 Cyl 2.0L 100-140hp	20"
JPW11664		25"
JPW11665	Suzuki 4 Cyl 1.5L 70-90hp	20"
JPW11666		25"
JPW11667	Suzuki 3 Cyl 40-60hp	20"
JPW11668		25"
JPW11669	Suzuki 3 Cyl 25-30hp	15"
JPW11670		20"

Yamaha Full Cover

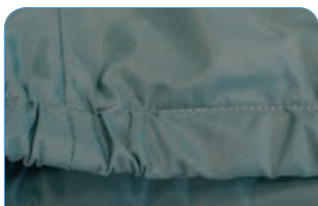
Part No.	Engine	Leg Length
JPW11684	Yamaha V8 5.3L 350hp	25"
JPW11685		30"
JPW11686	Yamaha V6 4.2L 225-300hp	25"
JPW11687		30"
JPW11688	Yamaha 4 Cyl 2.8L 175-200hp	20"
JPW11689		25"
JPW11690	Yamaha 4 Cyl 2.7L 150hp	20"
JPW11691		25"
JPW11692	Yamaha 4 Cyl 1.8L 115-130hp	20"
JPW11693		25"
JPW11694	Yamaha 4 Cyl 50-70hp	20"
JPW11695		20"
JPW11696	Yamaha 3 Cyl 30-40hp	15"
JPW11697		20"



Custom Fit Outboard Covers - Suitable for - SUZUKI | YAMAHA | MERCURY | EVINRUDE



Buckle fastening



Elastic hem



Half Covers



Full Covers

HOW TO ORDER

Select products from the catalogue or through our website using the product categories or search function. Make note of the part numbers to facilitate ordering.

ONLINE



Login to our website
with your customer username & password.

www.jpwmarine.com.au

If you know our product codes, use the
'Quick Order' form for a speedy checkout.

PHONE



Call us during standard
Western Australian business hours on

(08) 6253 3000

to place order by phone.

EMAIL



Email your order to

orders@jpwmarine.com.au



JPW MARINE

AUSTRALIA'S LEADING BOATING AND MARINE WHOLESALER

HATCHES & PORTLIGHTS 05

HATCHES

2000 Series - Square (High Profile)	85
Gray 900 Series - Square (Low Profile)	87
NIBO - Round (Low Profile)	86
NIBO - Square (Low Profile)	84
NIBO - Trapezoid (Low Profile)	86
Seabreeze Shade Screen	87
Seals & Handles	84 - 87
Hatch Hinge Spares	91

PORTLIGHT

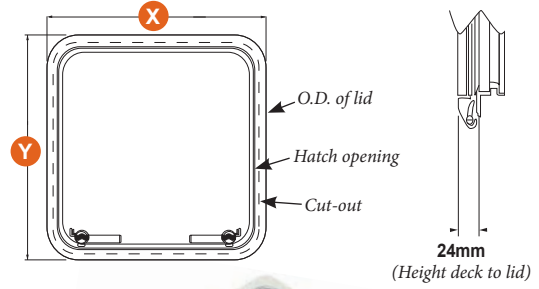
2000 Series – Portlight	89
Classic Elliptical Series S/S Portlight	89
Fixed S/S Elliptical Portlight	85
Gray Series Moulded Plastic – Portlight	88
Commercial Series Aluminium Hatches	90 - 91



Bomar Low-Profile Extruded Hatches

Bomar Low-Profile NIBO hatches feature heavy duty hinges, and snag-free opening to produce a neat and functional hatch. This design is favoured and chosen by many major boat builders worldwide. Available in a choice of clear anodised, or white powder-coated, heavy duty extruded aluminium frames with a tough smoke acrylic pane to assure privacy while still allowing in plenty of light.

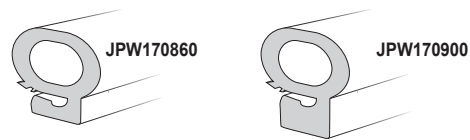
- Twist lock adjustable riser arms to keep the hatch open from 0° to 90°.
- Internal/external closing handles.
- 25mm deep internal flange.
- Internal trim mouldings available in black or white (separate item).
- Insect screens available (separate item).
- Optional Seabreeze sliding shade screens available to suit some models.



JPW Part No.		Bomar Part No.	Cut Out Size (mm) (X x Y)	O.D Deck Flange (mm)	O.D Lid 'P' Style (mm)	Hatch Opening (mm)	Lens Thickness	Internal Trim to Suit		Insect Screen to Suit
Silver	White							Black	Off White	
JPW170800	JPW170801	N1011-10P	365 x 232	406 x 273	433 x 300	337 x 203	6mm	170830	170831	170920
JPW170802	JPW170803	N1000-10P	273 x 273	314 x 314	341 x 341	244 x 244	6mm	-	170833	170921
JPW170806	JPW170807	N1029-10PX	470 x 340	511 x 381	538 x 408	441 x 311	9mm	170836	170837	170922
JPW170808	JPW170809	N1060-10PX	359 x 359	400 x 400	427 x 427	300 x 330	9mm	170838	170839	170923
JPW170810	JPW170811	N1040-10PX	519 x 391	560 x 432	587 x 459	491 x 362	9mm	170840	170841	170924
JPW170814	JPW170815	N1070-10PX	421 x 421	462 x 462	489 x 489	392 x 392	9mm	170844	170845	170925
JPW170816	JPW170817	N1080-10PX	470 x 470	511 x 511	538 x 538	441 x 441	9mm	170846	170847	-
JPW170818	JPW170819	N1039-10PX	513 x 513	554 x 554	581 x 581	484 x 484	9mm	170848	170849	170926
JPW170822	JPW170823	N1049-10PX	638 x 638	679 x 679	706 x 706	610 x 610	9mm	170852	170853	170927

Spare Parts

Part No.	Description
JPW170860	(P2000-25) Replacement Gasket Seal with 9mm Len
JPW170900	(P2000-09) Replacement Gasket Seal with 6mm Len
JPW170864	(P2000-27) External Mushroom Cap Older Style
JPW170903	(P2000-18-RA-IO) Right Handle Locking with Stay Bracket After Nov 2007
JPW170904	(P2000-18-LA-IO) Left Handle Locking with Stay Bracket After Nov 2007
JPW170916	(P2000-18-L-IO) Left External & Internal Locking Handle After Nov 2007
JPW170917	(P2000-18-R-IO) Right External & Internal Locking Handle After Nov 2007
JPW170791	(P2000-19-L-IO) Left External & Internal Non-Locking Handle After Nov 2007
JPW170790	(P2000-19-R-IO) Right External & Internal Non-Locking Handle After Nov 2007
JPW170912	(P2000-96W) External Handle White
JPW170913	(P2000-96) External Handle Black



Riser Arm Replacement	
P-2000-75-XX = 75 = Right Arm XX = Size Inches	
P-2000-76-XX = 76 = Left Arm XX = Size Inches	

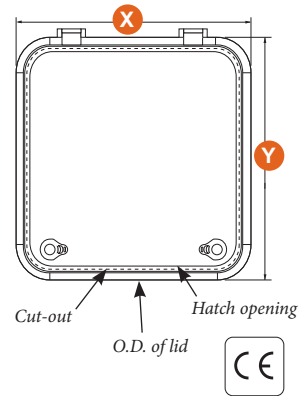


XX measurement is of the Stainless Steel rod

Bomar High-Profile Extruded Hatch 2000 SERIES

The Bomar High-Profile hatch range is chosen and favoured by many major boat builders throughout the world. Traditional style deck hatch with heavy duty extra high sealing lip frame.

- Heavy duty hinges and snag-free opening.
- Heavy duty extruded aluminium frame (clear or black anodised finishes).
- Heavy duty smoke acrylic pane - assures privacy and allows in plenty of light.
- Twist lock adjustable arms keep the hatch open from 0° to 90°.
- Internal/external closing handles.
- 45mm height above deck finish.
- 25mm deep internal flange.



JPW Part No.		Bomar Part No.	Cut-Out X x Y (mm)	O.D. Deck Flange (mm)	O.D. Lid 'P' Type (mm)	Hatch Opening (mm)	Lens Thickness (mm)	Internal Trims		
Silver	Black							Black	White	Insect Screen
JPW170872	JPW170873	N2000-10A	273 x 273	314 x 314	318 x 318	244 x 244	9	-	170833	170921
JPW170874	-	N2028-10A	449 x 324	491 x 365	495 x 367	421 x 295	9	-	-	-
JPW170876	-	N2029-10A	338 x 468	381 x 511	389 x 519	311 x 441	9	170836	170837	170922
JPW170880	-	N2040-10A	519 x 391	432 x 560	435 x 564	362 x 491	9	170840	170841	170924
JPW170884	JPW170885	N2070-10A	419 x 419	460 x 460	464 x 464	391 x 391	9	170844	170845	170925
JPW170888	JPW170889	N2039-10A	514 x 514	556 x 556	559 x 559	486 x 486	9	170848	170849	170926
JPW170892	JPW170893	N2049-10A	637 x 637	679 x 679	687 x 687	610 x 610	9	170852	170853	170927
JPW170894	-	N2086-10A	508 x 508	549 x 549	552 x 552	495 x 495	9	-	-	-

Spare Parts

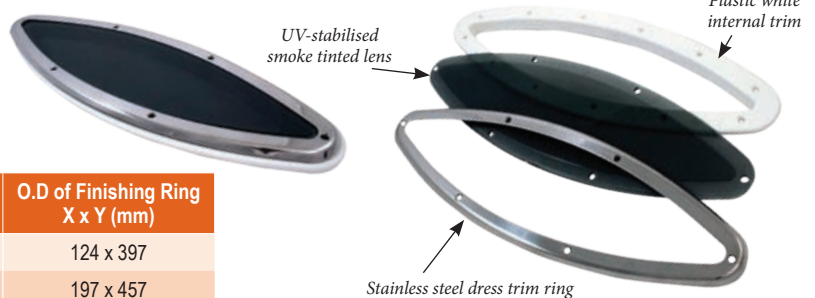
Part No.	Description
JPW170866	(P2000-26) Replacement Gasket Seal
JPW170864	(P2000-27) External Mushroom Cap Older Style
JPW170903	(P2000-18-RA-IO) Right Handle Locking with Stay Bracket After Nov 2007
JPW170904	(P2000-18-LA-IO) Left Handle Locking with Stay Bracket After Nov 2007
JPW170916	(P2000-18-L-IO) Left External & Internal Locking Handle After Nov 2007
JPW170917	(P2000-18-R-IO) Right External & Internal Locking Handle After Nov 2007
JPW170791	(P2000-19-L-IO) Left External & Internal Non-Locking Handle After Nov 2007
JPW170790	(P2000-19-R-IO) Right External & Internal Non-Locking Handle After Nov 2007



Bomar Moulded Fixed Elliptical Portlight

Bomar surface mount fixed portlights with polished 316-grade stainless steel trim ring and smoked acrylic lens. Easy to install and supplied complete in three components.

- External mounting holes.
- Trim - 12 fixing points.
- Lens - 6 fixing points.
- Finishing ring - 6 fixing points.



JPW Code	Bomar Code	Cut-Out X x Y (mm)	O.D. of Finishing Ring X x Y (mm)
JPW171530	G515-1028	89 x 356	124 x 397
JPW171534	G616-1028	146 x 400	197 x 457



Bomar Low-Profile Extruded Round Hatches



Low-Profile NIBO hatch designs feature heavy duty hinges and a snag-free opening to produce a neat and functional hatch. Available in clear anodised, heavy duty extruded aluminium frames with a tough smoke acrylic pane to assure privacy while still allowing in plenty of light.

- Twist lock adjustable riser arms to keep the hatch open from 0° to 90°.
- Internal/external closing handles.
- 25mm deep internal flange.
- Internal trim mouldings & insect screen available (*separate item*).



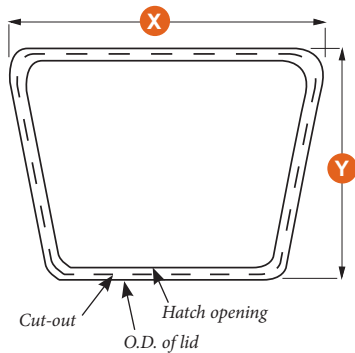
JPW Code Silver	Bomar Code	Cut-Out (mm)	O.D Deck Flange (mm)	O.D. Lid 'P' Type (mm)	Hatch Opening (mm)	Lens Thickness (mm)	Internal Trims	
							Off White	Insect Screen
JPW170896	N1170-10PX	421	462	484	392	9	170858	170928
JPW170898	N1139-10PX	516	557	581	487	9	170859	170929

Bomar Low-Profile Extruded Trapezoid Hatch



The trapezoid shape hatch is a very common hatch on small boats, used to gain access from the cabin to the bow.

- Low-profile design with heavy duty hinges.
- Snag-free opening.
- Twist lock adjustable riser arms to keep the hatch open from 0° to 90°.
- Internal/external closing handles.
- 25mm deep internal flange.
- Internal trim mouldings available in off/white (**JPW170855-57**).
- Optional Seabreeze sliding shade screens available to suit some models.



JPW Code Silver	JPW Code White	Bomar Code	Cut-Out X x Y (mm)	O.D Deck Flange (mm)	O.D. Lid 'P' Type (mm)	Hatch Opening (mm)	Internal Trims
							Off White
JPW170824	JPW170825	N1090-10PX	559 x 422	600 x 464	622 x 489	530 x 394	170855
JPW170826	JPW170827	N1094-10PX	645 x 489	686 x 530	713 x 557	616 x 460	170857
JPW170828	JPW170829	N1017-10PX	565 x 589	606 x 630	624 x 659	537 x 560	N/A

Bomar Gray 900 Series Hatches

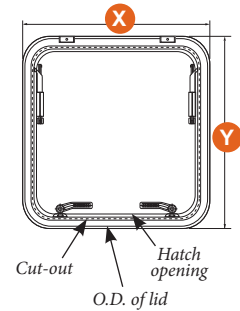


This series of deck hatches (also known as Gray Hatch) are a high-impact resin moulded frame hatch and available in black or white. The smoke finish lens is injection-moulded, super tough polycarbonate.

- Twist lock adjustable arms keep the hatch open.
- Internal/external closing handles.
- 32mm corner radius.
- 30mm deep internal flange.



Insect screens & internal mouldings



JPW Code Black	JPW Code White	Bomar Code	Cut-Out X x Y (mm)	O.D Deck Flange (mm)	O.D. of Lid (mm)	Hatch Opening (mm)	Internal Trims		Insect Screen	
							Black	White	Black	White
JPW170750	JPW170751	G910	241 x 241	292 x 292	300 x 306	225 x 225	170760	170761	170792	170793
JPW170752	JPW170753	G927	454 x 327	505 x 378	518 x 384	445 x 318	170762	170763	170794	170795
JPW170754	JPW170755	G966	428 x 428	480 x 480	486 x 492	414 x 414	170764	170765	170796	170797
JPW170756	JPW170758	G995	501 x 501	556 x 556	560 x 567	489 x 489	170766	170767	170798	170799

Spare Parts

Part No.	Description
JPW170776	(P100-52) Replacement Gasket Seal
JPW170914	(GP911-01) Left Hand Internal Non-Locking Handle
JPW170915	(GP911-02) Right Hand Internal Non-Locking Handle
JPW170918	(GP911-05-IO-L) Left Hand Internal Contour Locking Handle
JPW170919	(GP911-05-IO-R) Right Hand Internal Contour Locking Handle
JPW170912	(P2000-96W) External Handle White
JPW170913	(P2000-96) External Handle Black

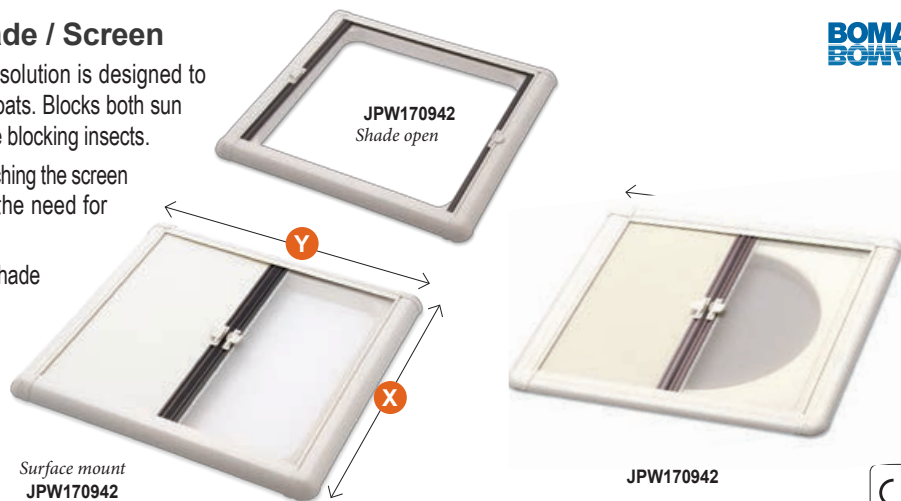


Bomar Seabreeze Shade / Screen



This sun shade and insect screen solution is designed to compliment the interior of modern boats. Blocks both sun and insects, or let in the breeze while blocking insects.

- Simple installation - four screws attaching the screen directly under the hatch, without the need for additional finishing trims.
- In-built track system prevents the shade and screen from rolling unevenly.



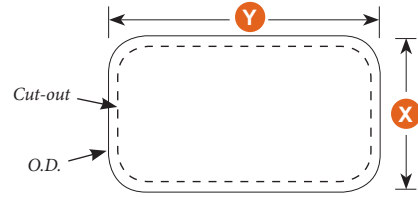
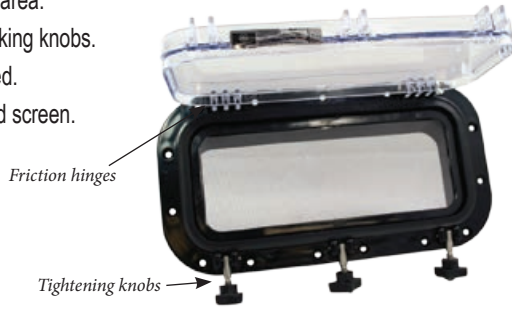
JPW Code	Bomar Code	Mounting System	Shade O.D. X x Y (mm)	Fits Bomar Hatches Codes	Fits Bomar Hatches JPW Codes
JPW170942	GSB1029	Flush Mount	577 x 478	1029/2029	170806-07
JPW170944	GSB1070	Flush Mount	560 x 529	1070/2070	170817-15
JPW170946	GSB1039	Flush Mount	652 x 620	1039/2039	170818-19
JPW170943	GSB2028	Surface Mount	447 x 565	1028/2028	170874
JPW170948	GSB2029	Surface Mount	577 x 478	1029/2029	170806-07
JPW170945	GSB2086	Surface Mount	-	1086/2086	170894
JPW170949	GSB2039	Surface Mount	652 x 620	1039/2039	170818-19

Bomar Gray 900 Series Rectangle Portlights - Opening



The Bomar Gray Series opening rectangular portlight range provides a neat and functional portlight as chosen by many boat builders from around the world. Friction hinges will hold the port window open at any chosen position. These hatches are available in a black or white frame, with a clear pane and removable screen.

- Clear lens & large viewing area.
- Adjustable quick action locking knobs.
- Watertight seal when closed.
- Complete with trim ring and screen.

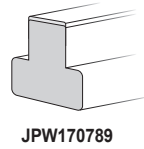


JPW Part No.		Bomar Code	Cut-Out X x Y (mm)	O.D of Finishing Ring X x Y (mm)	Spigot Length
Black	White				
JPW171452	JPW171453	G410-A	117 x 265	167 x 318	49
JPW171454	JPW171455	G414-A	114 x 368	165 x 419	48
JPW171458	JPW171459	G512-AD	140 x 318	198 x 373	60
JPW171460	JPW171461	G715-AD	192 x 394	244 x 451	48
JPW171462	JPW171463	G818-AD	216 x 468	271 x 524	48



Spare Parts

Part No.	Description
JPW170789	(GP904-09) Replacement Gasket Seal
JPW170778	(GP901-02B) Replacement Tightening Knob (Dog) Black
JPW170779	(GP901-02W) Replacement Tightening Knob (Dog) White

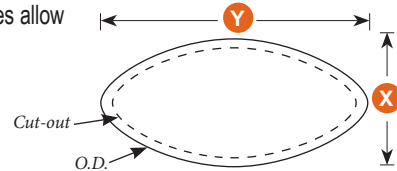


Bomar Gray 900 Series Elliptical Portlights - Opening



Bomar Gray Series Opening elliptical portlights are moulded high impact-resistant, UV-stabilised resin. The smoked lens is polycarbonate and comes complete with an insect screen. The friction hinges allow for the portlight to remain open at any chosen position.

- White frame is made from UV-stabilised resin.
- High impact resistant frame.
- Highly polished stainless outer trim ring.
- Super tough smoked polycarbonate lens (injection moulded).
- Internal mounting holes.

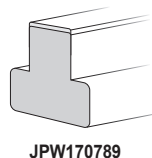


JPW Part No.	Bomar Code	Cut-Out X x Y (mm)	O.D of Finishing Ring X x Y (mm)	Spigot Length
JPW171521	G515-28SS	92 x 362	149 x 419	29
JPW171523	G616-28SS	152 x 406	208 x 467	32



Spare Parts

Part No.	Description
JPW170789	(GP904-09) Replacement Gasket Seal
JPW170778	(GP901-02B) Replacement Tightening Knob (Dog) Black
JPW170779	(GP901-02W) Replacement Tightening Knob (Dog) White

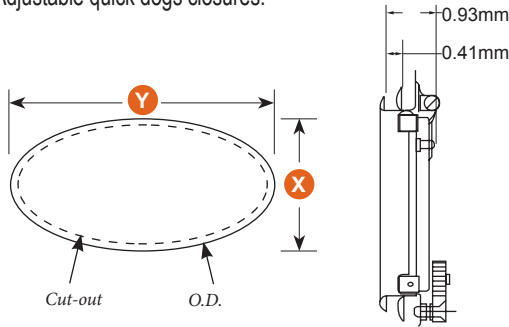


Bomar Classic Stainless Steel Elliptical Portlights



Bomar Classic S/S Series polished stainless steel portlights with smoked acrylic lens. Features friction hinges that hold the port window open at any chosen position.

- Complete with outside finishing ring and screen.
- Smoked acrylic lens.
- Adjustable quick dogs closures.



JPW Part No.	Bomar Code	Cut-Out X x Y (mm)	O.D of Finishing Ring X x Y (mm)	Hull Thickness (mm)
JPW171500	S616MBSS-2	159 x 413	190 x 448	10 - 20
JPW171503	S616MBSS-3	159 x 413	176 x 430	20 - 35



Spare Parts

Part No.	Description
JPW171516	(P100-04-Retro) Replacement one piece gasket seal & insect screen kit
JPW171518	(P100-05) Replacement Latches.

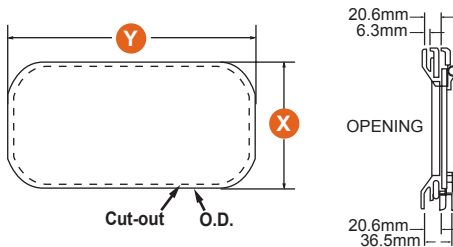


Bomar 2000 Series Rectangle Aluminium Portlights - Opening



Bomar 2000 Series rectangular portlights are made from extruded aluminium and include a smoked acrylic lens, insect screen and trim. The multiple quick action clamps help secure the lens against the seal to create a water-tight closure. There are no external visible screws to install and available in 4 different styles and 2 colour options (silver "anodised aluminium" or black powder coated).

- Hull thickness - minimum of 6mm to maximum of 36mm.
- Heavy duty extruded aluminium frames.
- Tough acrylic smoked lens.
- Complete with trim ring and screen.
- No visible exterior screws.
- Adjustable quick dogs.



JPW Part No.		Bomar Code	Clear View X x Y (mm)	Cut-Out X x Y (mm)	O.D. of Port X x Y (mm)	O.D. of Trim X x Y (mm)
Anodised	Black					
JPW171550	JPW171551	NC2410	94 x 243	156 x 305	176 x 325	179 x 329
JPW171552	JPW171553	NC2414	94 x 343	156 x 405	176 x 425	179 x 429
JPW171556	JPW171557	NC2515	110 x 367	171 x 429	195 x 452	195 x 452
JPW171558	-	NC2523	110 x 565	171 x 627	192 x 648	195 x 651

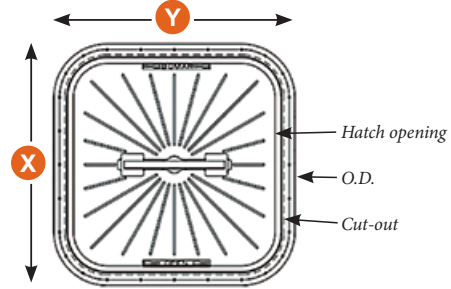
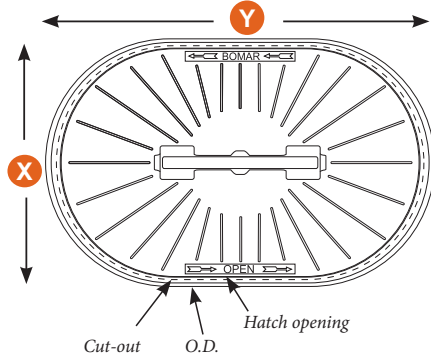


Bomar Cast Watertight Commercial Hatch - Non-Hinged



Bomar Commercial Grade Series oval hatches are made from cast aluminium and are water-tight commercial quality that can be flush mounted to the deck.

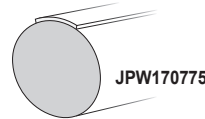
- Stainless steel T-handle.
- Steel ring available.
- Internal/external opening standard.
- 1/4" height off mounting surface.
- Cast Almag-35.
- Non-hinged for easy removal of lid.



JPW Part No.	Bomar Code	Shape	Opening X x Y (mm)	Cut-Out X x Y (mm)	O.D. of Deck Flange	Extends Below Deck
JPW174390	C41218	Oval	310 x 464	380 x 534	475 x 629	143
JPW174394	C41524	Oval	380 x 610	450 x 680	552 x 756	127
JPW174395	C42424	Square	610 x 610	685 x 685	787 x 787	185

Spare Parts

Part No.	Description
JPW170775	(P100-53) Replacement gasket seals.

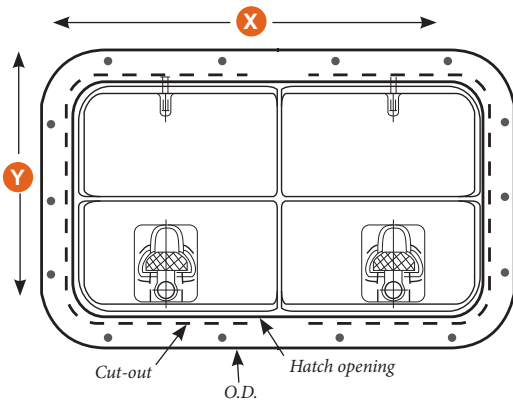


Bomar Cast Commercial Inspection Hatches



Bomar Commercial Grade Series low-profile rectangular-shaped hatches are made from cast aluminium. This hatch is used by major boat builders around the world.

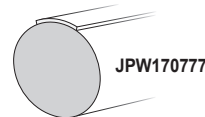
- Cast Almag-35.
- Removable lid for easy access.
- Non skid surface.
- Optional powder coating available.
- Locking T-handles.



JPW Part No.	Bomar Code	Opening X x Y (mm)	Cut-Out X x Y (mm)	O.D. of Deck Flange	Extends Below Deck
JPW174396	C41812	282 x 224	327 x 273	389 x 335	13
JPW174398	C41416	400 x 344	448 x 398	511 x 460	13
JPW174400	C41020	489 x 256	533 x 304	621 x 367	13

Spare Parts

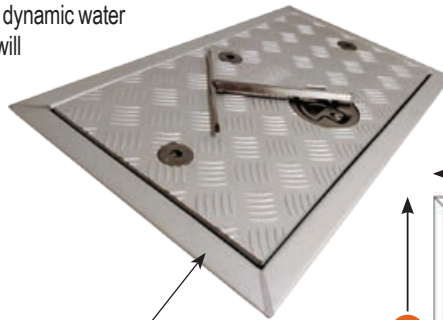
Part No.	Description
JPW170777	(P100-51) Replacement gasket seals.



Bomar Tread Plate Aluminium Access Hatches

Bomar Access Hatches are made with a high-quality marine-grade, anodised aluminium tread plate cover along with 316-grade stainless steel hardware. All dog fasteners are recessed into the hatch cover so chains, cables or rope will not snag on them. Comes with a 316-grade stainless steel hex drive tool handle. A multiple point loading gasket profile will resist leakage even under dynamic water pressures and the return bend in the frame profile will stop over-compression of the gasket if heavy loads are placed on the hatch cover.

- High-quality 5 bar, marine-grade, anodised aluminium tread plate cover and welded aluminium frame.
- 316-grade stainless steel dog fastener with Delrin bushing for smooth operation
- 316-grade stainless steel flush 'D' handle.
- 316-grade stainless steel hex drive tool handle.
- BUNA-N 'O'-ring approved for use in petroleum and chemical environments.
- Multiple point loading gasket profile.



Optional - heavy duty 316-grade welded frame available instead over Aluminum on request.



JPW Part No.	Bomar Code	Opening X x Y (mm)	Cut-Out X x Y (mm)	O.D. of Deck Flange
JPW171701	N40127	565 x 362	622 X 419	677 x 474
JPW171702	N40128	717 x 565	774 x 622	830 x 677
JPW171703	N40129	260 x 260	317 x 317	372 x 372
JPW171704	N40130	508 x 254	565 x 311	620 x 366
JPW171705	N40131	717 x 463	774 x 520	830 x 576
JPW171706	N40132	565 x 565	622 x 622	677 x 677
JPW171707	N40133	870 x 565	927 x 622	982 x 677

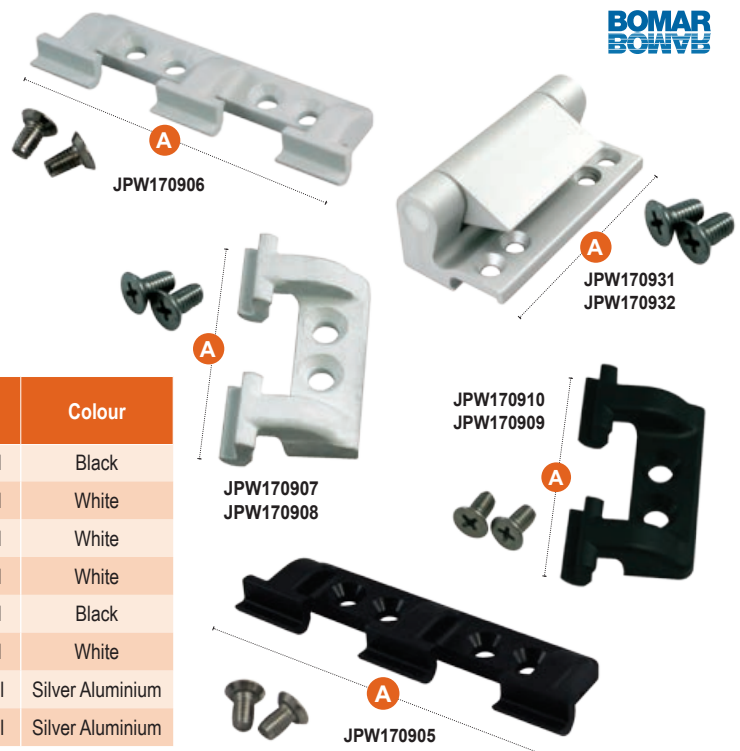
Spare Parts

Part No.	Description
JPW171715	Spare Stainless Steel Access Hatch Key

Hatch Hinges Spares

Replacement hinge to suit the NIBO range of hatches.

- 89mm hinge can be use on either side of the hatch.
- 53mm hinge comes in either a left or right side hatch hinge.
- Both size hinges come in either black or white.
- P2000-20-1 external hinge suits NIBO Hi Profile Hatches
- Each hinges is supplied with two fixing screws.



Part No.	Bomar No.	Hinge Width (A)	Hinge Side	Hinge Type	Colour
JPW170905	P2000-117	89mm	Left/Right	Internal	Black
JPW170906	P2000-116	89mm	Left/Right	Internal	White
JPW170907	P2000-118-L	53mm	Left	Internal	White
JPW170908	P2000-118-R	53mm	Right	Internal	White
JPW170909	P2000-119-L	53mm	Left	Internal	Black
JPW170910	P2000-119-R	53mm	Left	Internal	White
JPW170931	P2000-20-1	76mm	Left/Right	External	Silver Aluminium
JPW170932	P2000-???	101	Left/Right	External	Silver Aluminium

HOW TO ORDER

Select products from the catalogue or through our website using the product categories or search function. Make note of the part numbers to facilitate ordering.

ONLINE



Login to our website with your customer username & password.

www.jpwmarine.com.au

If you know our product codes, use the 'Quick Order' form for a speedy checkout.

PHONE



Call us during standard Western Australian business hours on

(08) 6253 3000

to place order by phone.

EMAIL



Email your order to

orders@jpwmarine.com.au



JPW MARINE

AUSTRALIA'S LEADING BOATING AND MARINE WHOLESALER

ANODES 06

ZINC ANODES

Cast Rod & Bar Anodes.....	98
Engine (Yanmar & BUKH).....	98
General Purpose Anodes.....	98
Hull Anodes.....	94 - 96
Otter Board Anodes.....	98
Outboard & Stern Drive Motor Anodes.....	97
Propeller Shaft Anodes.....	97
Rudder/Trim Tab Anodes.....	97

ALUMINIUM ANODES

BRP/Evinrude Johnson & OMC Individual Anodes.....	106
BRP/Evinrude Johnson Anode Kits.....	100 - 101
Honda Individual Anodes.....	105
Mercury/MerCruiser Anode Kits.....	99 - 100
Mercury/MerCruiser Individual Anodes.....	104 - 105
Volvo Penta Anode Kits.....	101 - 102
Volvo Penta Individual Anodes.....	107
Yamaha Anode Kits.....	102 - 103
Yamaha Individual Anodes.....	108

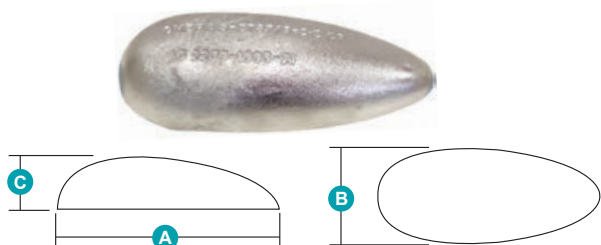


ZINC ANODES

Our range of Zinc Anodes are all Australian-made and 'CHERAS' branded. These anodes are manufactured from a high-grade zinc alloy that is 99.9% pure and conforms to Australian Standard AS2239 and U.S Military specs 18001-K.

- Each anode is stamped with its anode code number and weight for easy identification.
- The large range of anodes available will suit most marine applications.

Teardrop Anodes

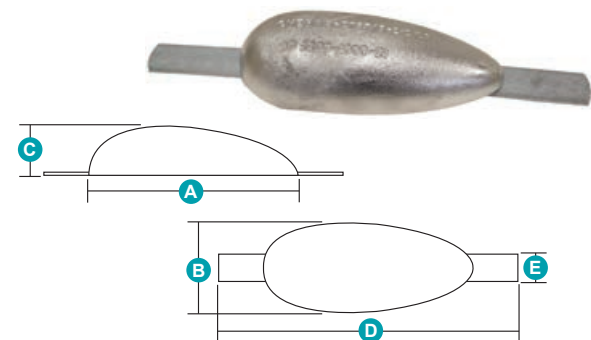


Part No.	Anode Number	Weight (kg)	Dimensions (mm)		
			A	B	C
JPW3099	ZT4	0.4	100	50	25
JPW3098	ZT6	1	150	60	30
JPW3097	ZT7	1.7	180	75	30

Teardrop Anodes - with Strap

Streamlined teardrop anodes - with either a galvanised steel strap or aluminium strap.

- Galvanised steel strap anodes suit steel hull and fibreglass boats.
- Aluminium strap anodes suit aluminium hull and fibreglass boats.



Part No.	Anode Number	Strap Type	Weight (kg)	Dimensions (mm)				
				A	B	C	D	E
JPW3090	ZTS-4	Alloy	0.4	100	50	25	200	25
JPW3090S	ZTS-4	Steel	0.4	100	50	25	200	25
JPW3091	ZTS-5	Alloy	0.8	125	60	30	250	25
JPW3091S	ZTS-5	Steel	0.8	125	60	30	250	25
JPW3092	ZTS-6	Alloy	1	150	60	30	250	25
JPW3092S	ZTS-6	Steel	1	150	60	30	250	25
JPW3093	ZTS-7	Alloy	1.7	180	75	30	300	25
JPW3093S	ZTS-7	Steel	1.7	180	75	30	300	25
JPW3095	ZTS-7/S	Alloy	2.2	175	75	35	300	25
JPW3095S	ZTS-7/S	Steel	2.2	175	75	35	300	25
JPW3094	ZTS-8	Alloy	2.5	250	85	35	330	25
JPW3094S	ZTS-8S	Steel	2.5	250	85	35	330	25

Hull Slab Anodes

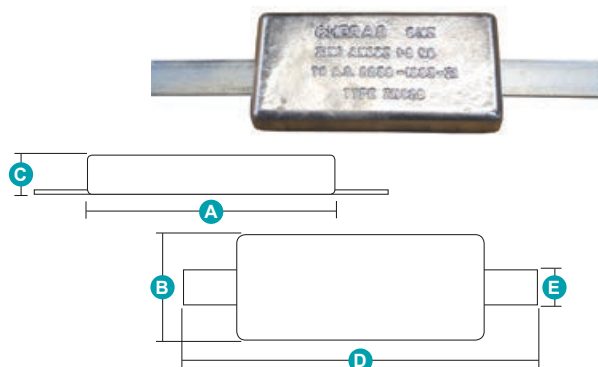


Part No.	Anode Number	Weight (kg)	Dimensions (mm)		
			A	B	C
JPW3130	ZH-1B	1.3	100	75	25
JPW3132	ZH-1	1.6	100	100	25
JPW3134	ZH-2B	1.8	150	75	25
JPW3136	ZH-3	3.6	150	150	25

Hull Slab Anodes - with Strap

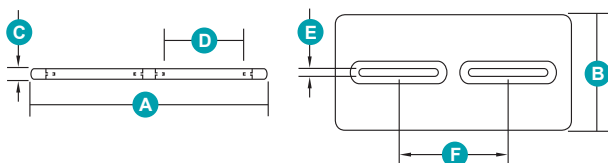
Hull slab anodes available with a galvanised steel or aluminium strap.

- Galvanised steel strap anodes suit steel hull and fibreglass boats.
- Aluminium strap anodes suit aluminium hull and fibreglass boats.



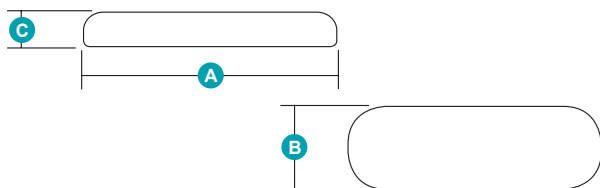
Part No.	Anode Number	Strap Type	Weight (kg)	Dimensions (mm)				
				A	B	C	D	E
JPW3131	ZHS-1B	Alloy	1.3	100	70	25	200	25
JPW3131S	ZHS-1B	Steel	1.3	100	70	25	200	25
JPW3133	ZHS-1	Alloy	1.6	100	100	25	200	25
JPW3133S	ZHS-1	Steel	1.6	100	100	25	200	25
JPW3135	ZHS-2B	Alloy	1.8	150	75	25	300	25
JPW3135S	ZHS-2B	Steel	1.8	150	75	25	300	25
JPW3137	ZHS-3	Alloy	3.6	185	150	25	280	25
JPW3137S	ZHS-3	Steel	3.6	185	150	25	250	25
JPW3139S	ZHS-4	Steel	4	140	140	25	310	25
JPW3147S	ZHS-5	Steel	5	150	190	30	315	25

Hull Slab Anode - with Holes



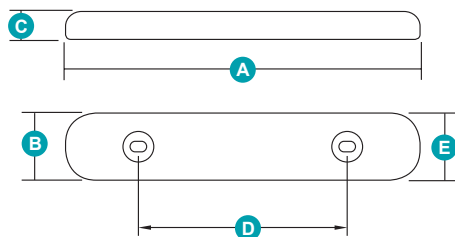
Part No.	Anode Number	Weight (kg)	Dimensions (mm)					
			A	B	C	D	E	F
JPW3129	ZHS-3.5D	3.5	305	150	15	100	8	150

Hull Oval Anodes



Part No.	Anode Number	Weight (kg)	Dimensions (mm)		
			A	B	C
JPW3141	ZH-6	3.3	270	75	32
JPW3143	ZH-7	6.5	270	150	32

Hull Oval Anodes - with Holes (Sunseeker Style)

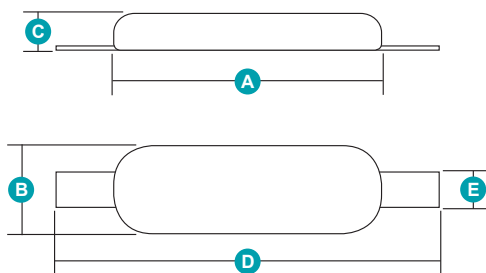


Part No.	Anode Number	Weight (kg)	Dimensions (mm)				
			A	B	C	D	E
JPW3101	ZHS8R	8	440	90	40	234	22x28

Hull Oval Anodes - with Strap

Large oval anodes available with a galvanised steel or aluminium strap.

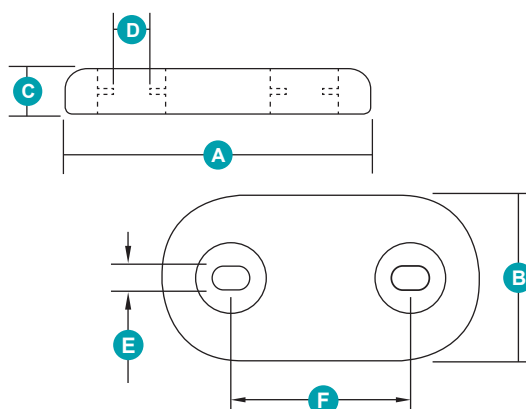
- Galvanised steel strap anodes suit steel hull and fibreglass boats.
- Aluminium strap anodes suit aluminium hull and fibreglass boats.



Part No.	Anode Number	Strap Type	Weight (kg)	Dimensions (mm)				
				A	B	C	D	E
JPW3142	ZHS-6	Alloy	3.3	270	75	32	400	40
JPW3142S	ZHS-6	Steel	3.3	270	75	32	400	40
JPW3144	ZHS-7	Alloy	6.5	270	150	32	400	40
JPW3144S	ZHS-7	Steel	6.5	270	150	32	400	40
JPW3148S	ZHS-8	Steel	8	440	80	50	545	40
JPW3145	ZHS-14	Alloy	13.6	304	150	42	440	50
JPW3145S	ZHS-14	Steel	13.6	304	150	42	440	50

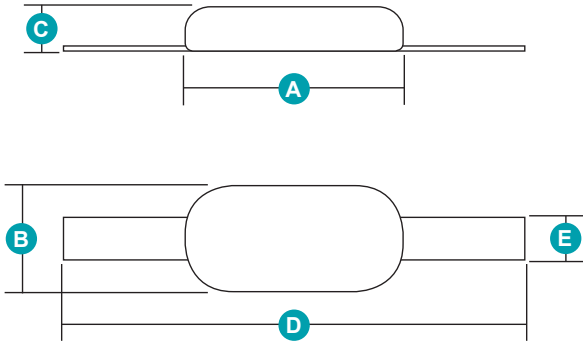
Hull Oval Anode - with Holes

Slotted hull oval anodes with two recessed slotted fixing holes.



Part No.	Anode Number	Weight (kg)	Dimensions (mm)					
			A	B	C	D	E	F
JPW3140	ZHI-6	6.5	260	145	35	24	16	150

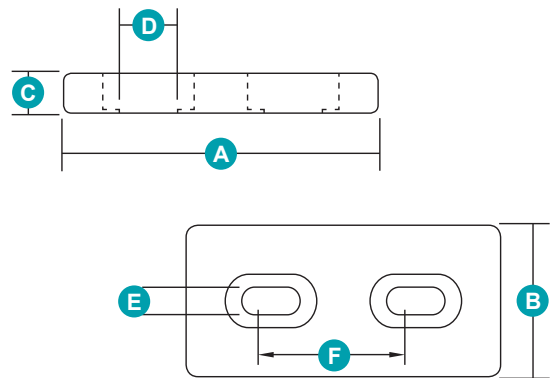
**Hull Oval Anodes
- with Steel Strap (Riviera Style)**



Part No.	Anode Number	Weight (kg)	Dimensions (mm)					
			A	B	C	D	E	F
JPW3100S	ZHS-7	6.5	250	135	30	550	40	150

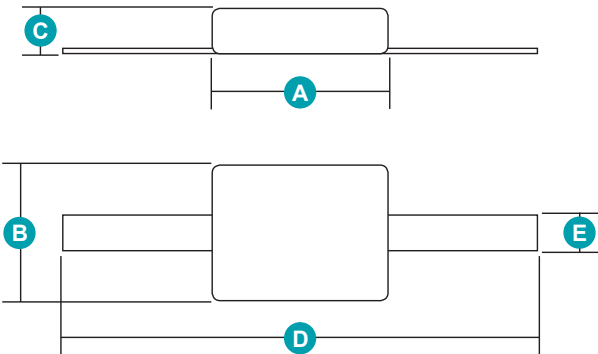
Hull Block Anode - with Holes

Slotted rectangular anodes with two recessed slotted fixing holes.



Part No.	Anode Number	Weight (kg)	Dimensions (mm)					
			A	B	C	D	E	F
JPW3138	ZHST	1.5	165	70	25	27	15	80

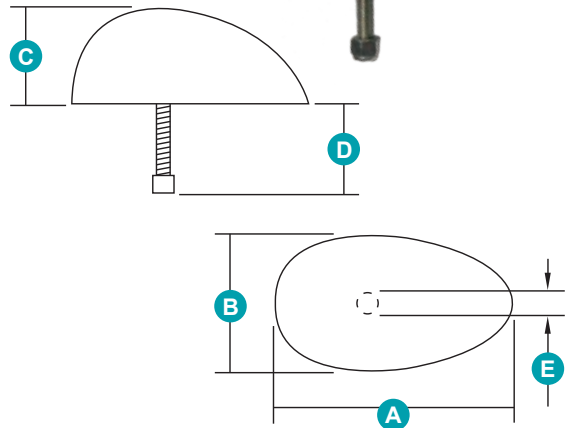
**Hull Slab Anodes
- with Steel Strap (Riviera Style)**



Part No.	Anode Number	Weight (kg)	Dimensions (mm)					
			A	B	C	D	E	F
JPW3102	ZHS-5	5	188	147	25	498	25	150

Hull Bertram Anode

Bertram hull anodes - for replacement of original O.E.M. anode on Bertram cruisers or a similar craft.

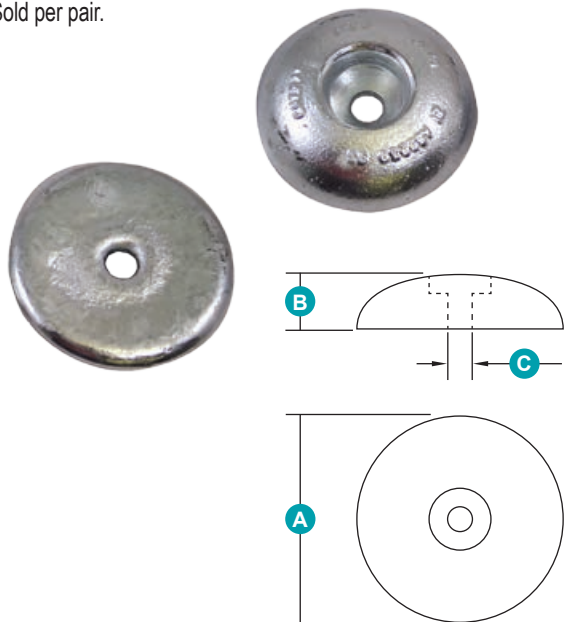


Part No.	Anode Number	Weight (kg)	Dimensions (mm)				
			A	B	C	D	E
JPW3146	ZHB-4	4	160	120	60	65	10

Rudder/Trim Tab Anodes

Two-piece anodes for mounting on either side of the rudder or trim tabs.

- Supplied with 10mm recessed central holes drilled - without mounting bolts.
- Sold per pair.

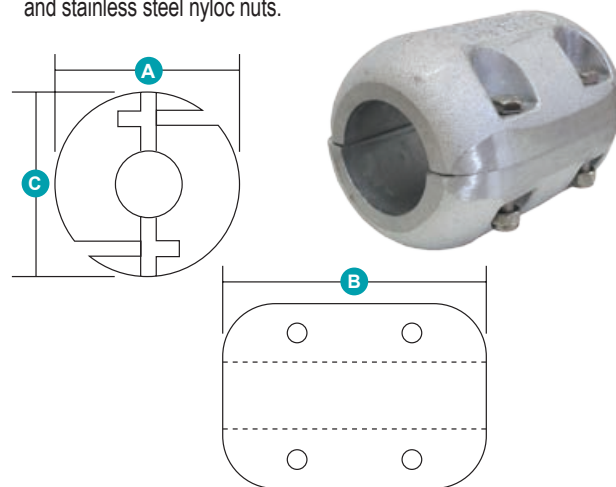


Part No.	Anode Number	Weight (kg)	Dimensions (mm)		
			A	B	C
JPW3220	ZRD-0	0.6	65	19	10
JPW3221	ZRD-1	1.2	100	20	11
JPW3222	ZRD-2	2.3	130	20	11

Propeller Shaft Anodes - Large

Two-piece anodes to fit around the propeller shaft.

- Supplied complete with four large hex head stainless steel bolts and stainless steel nyloc nuts.

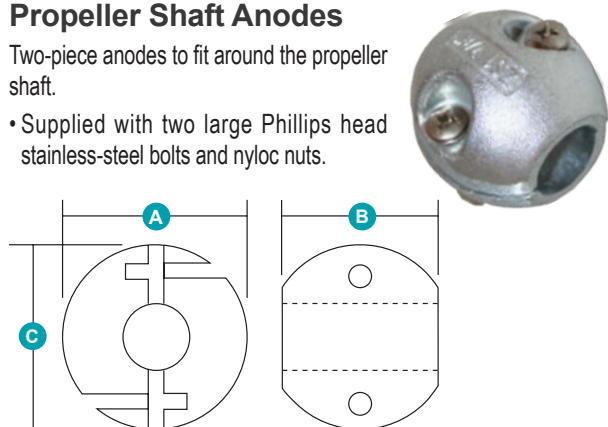


Part No.	Anode Number	Shaft Size		Weight (kg)	Dimensions (mm)		
		(mm)	(in)		A	B	C
JPW3168	ZS-7	51	2	3.9	98	130	95
JPW3169	ZS-8	57	2 1/4	3.6	98	130	95
JPW3170	ZS-9	64	2 1/2	4.8	100	130	98
JPW3171	ZS-10	70	2 3/4	4.2	100	130	98
JPW3172	ZS-11	76	3	5.3	105	150	104
JPW3173	ZS-12	83	3 1/4	8	135	160	135
JPW3174	ZS-14	90	3 1/2	7.6	135	160	135
JPW3175	ZS-16	102	4	9.8	150	175	145

Propeller Shaft Anodes

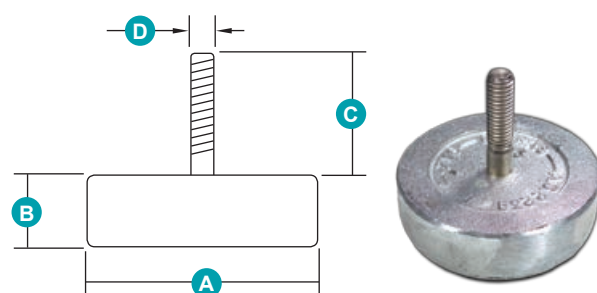
Two-piece anodes to fit around the propeller shaft.

- Supplied with two large Phillips head stainless-steel bolts and nyloc nuts.



Part No.	Anode Number	Shaft Size		Weight (kg)	Dimensions (mm)		
		(mm)	(in)		A	B	C
JPW3159	ZSA	19	3/4	0.6	51	53	53
JPW3160	ZS-1	22	7/8	0.6	52	53	52
JPW3161	ZS-2	25	1	0.5	56	53	55
JPW3162	ZS-3	29	1 1/8	0.6	61	66	60
JPW3163	ZS-4	32	1 1/4	0.7	63	66	62
JPW3164	ZS-4A	35	1 3/8	1.1	71	78	69
JPW3165	ZS-5	38	1 1/2	1	71	78	69
JPW3166	ZS-6	44	1 3/4	1.2	78	78	76
JPW3167	ZS-6B	51	2	1.3	83	78	82

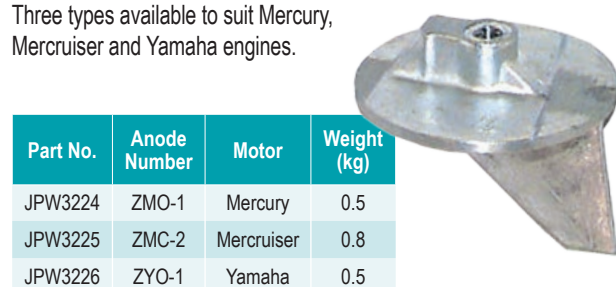
Otter Board Anode



Part No.	Anode Number	Weight (kg)	Dimensions (mm)			
			A	B	C	D
JPW3223	ZD-3	0.7	75	25	40	8

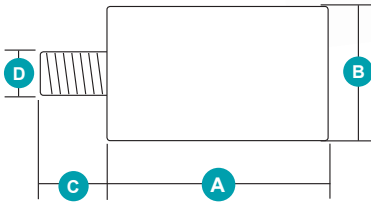
Outboard & Stern Drive Motor Anodes

Three types available to suit Mercury, Mercruiser and Yamaha engines.



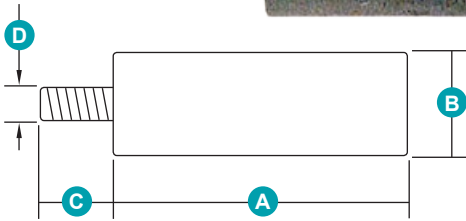
Part No.	Anode Number	Motor	Weight (kg)
JPW3224	ZMO-1	Mercury	0.5
JPW3225	ZMC-2	Mercruiser	0.8
JPW3226	ZYO-1	Yamaha	0.5

Engine Anode - Yanmar



Part No.	Anode Number	Weight (g)	Dimensions (mm)			
			A	B	C	D
JPW3227	ZE-6	0.7	32	18	12	6

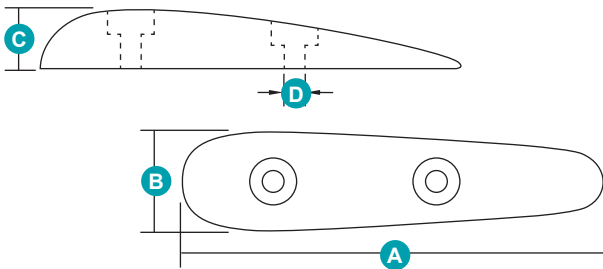
Engine Anode - BUKH



Part No.	Anode Number	Weight (g)	Dimensions (mm)			
			A	B	C	D
JPW3228	ZE-7	40	41	12	12	4

General Purpose Anode

- Slimline tapered anode - tapers from 13mm to 5mm.
- Can be used on a smaller craft or motor cavitation plates etc.
- 2 x 5mm recessed fastening holes.



Part No.	Anode Number	Weight (kg)	Dimensions (mm)			
			A	B	C	D
JPW3150	ZGPA	0.2	120	28	13	5

Solid Round Cast Rod Anodes

Solid round zinc anodes suitable for water jackets, pumps, heat exchangers, and stock material for marine engine anodes.



Part No.	Anode Number	Weight (g)	Dia (mm)	Length (mm)
JPW3252	ZR-1	140	10	300
JPW3253	ZR-2	280	13	300
JPW3254	ZR-3	450	16	300
JPW3255	ZR-4	650	19	300
JPW3256	ZR-5	860	22	300
JPW3257	ZR-6	1000	25	300

Solid Square Bar Anode



Part No.	Anode Number	Weight (kg)	Dimensions (mm) (L x W x H)
JPW3261	ZB-3	1.4	305 x 25 x 25

Installed anode



ALUMINIUM ANODES

- Specially formulated alloy for all water types.
- Red spot wear indicator - when the red spot appears on the surface of the anode, it is time to change it.
- DO NOT mix anode types (aluminium and zinc).
- Aluminium anodes have a higher protection voltage than zinc anodes, lasts up to 30 - 50% longer.
- Reactivate after exposure to air - works immediately on reimmersion.
- Environmentally friendly.
- Much lighter than Zinc.

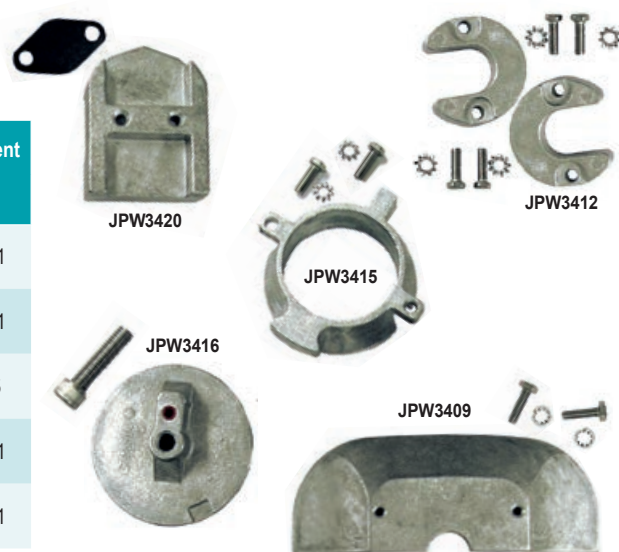
Mercury/Mercruiser Anode Kit - Alpha 1 Generation 1 (No Power Steering)

Part No.	Kit Parts	Qty	Weight		Replacement OEM Number
			(lb)	(g)	
JPW3408	Trim Tab Anode	1	0.4	171	31640T 4
	Gimbal Housing Block	1	0.7	317	821631T 1
	Gimbal Housing Bolt Headnut	2	0.15	68	55989T 9



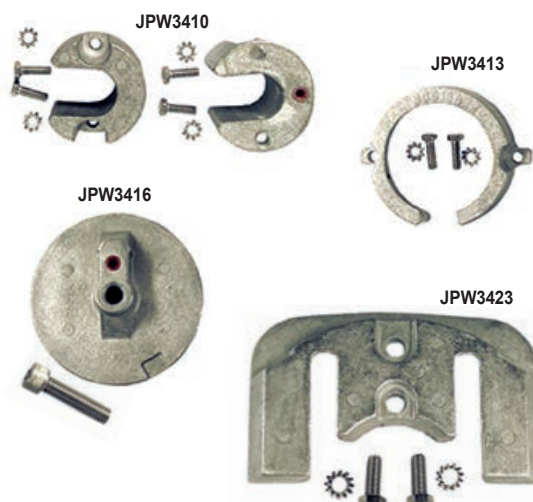
Mercury/Mercruiser Anode Kit - Alpha 1 Generation 2

Part No.	Replacement OEM	Kit Parts	Qty	Weight		Replacement OEM Number
				(lb)	(g)	
JPW3403	888756A 1	Alpha Cavitation Plate	1	0.55	249	821629T 1
		Alpha Trim Cylinder Anode	2	0.07	31	806189T 1
		Trim Tab Anode Flat	1	0.25	113	76214T 5
		Gimbal Housing Block	1	0.7	317	821631T 1
		Alpha Bearing Carrier	1	0.17	77	806105T 1



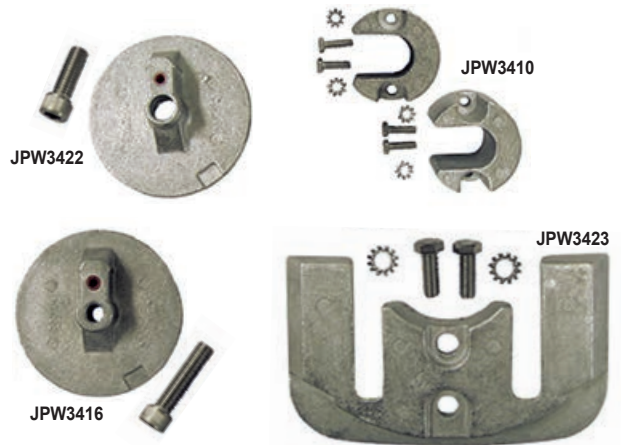
Mercury/Mercruiser Anode Kit - Bravo 1

Part No.	Replacement OEM	Kit Parts	Qty	Weight		Replacement OEM Number
				(lb)	(g)	
JPW3406	888758A	Bravo Cavitation Plate	1	0.8	363	821630T 1
		Bravo Trim Cylinder Anode	2	0.27	122	806190T 1
		Trim Tab Anode Flat	1	0.25	113	76214T 5
		Bravo Bearing Carrier Anode	1	0.16	72	806188A 1



Mercury/Mercruiser Anode Kit - Bravo 3 (2004+)

Part No.	Kit Parts	Qty	Weight		Replacement OEM Number
			(lb)	(g)	
JPW3404	Bravo Cavitation Plate	1	0.8	363	821630T 1
	Bravo Trim Cylinder Anode	2	0.27	122	806190T 1
	Trim Tab Anode Flat	1	0.25	113	76214T 5
	Trim Tab Anode Flat (No Thread)	1	0.25	113	76214 4



Bravo Prop Nut Retrofit Anode Kit

Allows attachment of anode to 2003 and older models.

Part No.	Kit Parts	Qty	Weight	
			(lb)	(g)
JPW3407	Bravo 3 Prop Shaft Anode	1	0.06	27
	Prop Nut	1	0.06	27



Mercury/Mercruiser Anode Kit - Verado 4

Part No.	Kit Parts	Qty	Weight		Replacement OEM Number
			(lb)	(g)	
JPW3428	Outboard Power Trim	1	0.5	227	818298T 1
	Side Pocket Anode	2	0.36	163	826134T
	Trim Tab Anode Flat	1	0.25	113	76214T 5



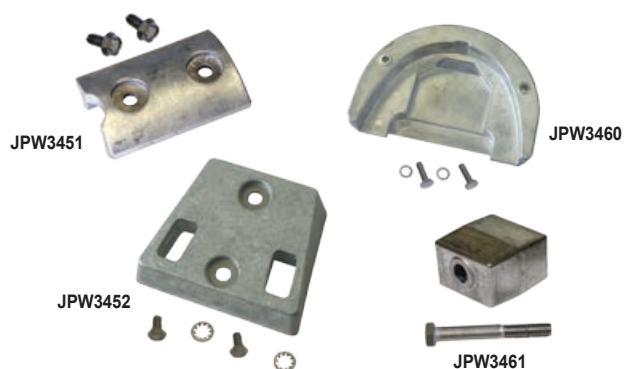
Mercury/Mercruiser Anode Kit - Verado 6

Part No.	Kit Parts	Qty	Weight		Replacement OEM Number
			(lb)	(g)	
JPW3405	Trim Tab Anode Flat	1	0.25	113	76214T 5
	Side Pocket Anode	2	0.36	163	826134T
	Manifold Anode	1	0.5	227	880653
	Trim Cylinder Anode	4	0.4	181	893404



BRP/Evinrude Johnson Anode Kit - OMC Cobra Kit

Part No.	Kit Parts	Qty	Weight		Replacement OEM Number
			(lb)	(g)	
JPW3429	Prop Shaft	1	0.2	91	431708
	Transom Mount	1	0.7	318	984547
	Front Gear Case Anode	1	0.9	408	3853818/984513
	Cobra Rear Gear Case	1	0.2	91	436745/393023



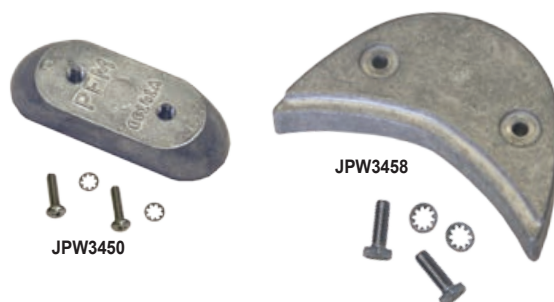
BRP/Evinrude Johnson Anode Kit - J/E 50-225HP (1991-1995)

Part No.	Kit Parts	Qty	Weight		Replacement OEM Number
			(lb)	(g)	
JPW3400	Side Mounted	1	0.1	45	s123009/327606/173029
	Prop Shaft	1	0.2	90	431708
	Transom	1	0.7	318	433580
	Block Rear Gear Case	2	0.6	272	433458/398331



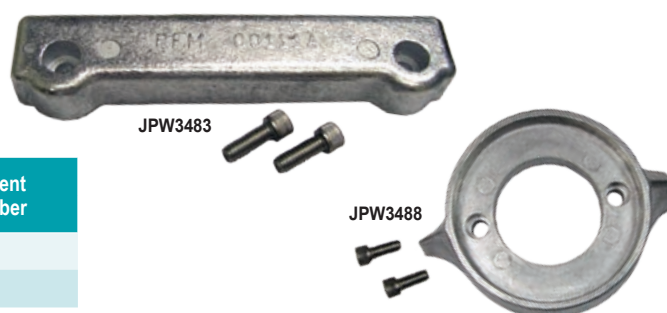
BRP/Evinrude Johnson Anode Kit - J/E 90-225HP (1985-1986)

Part No.	Kit Parts	Qty	Weight		Replacement OEM Number
			(lb)	(g)	
JPW3431	Side Mounted	1	2.2	998	s123009/327606/173029
	Front Gear Case	1	0.7	318	s 392123



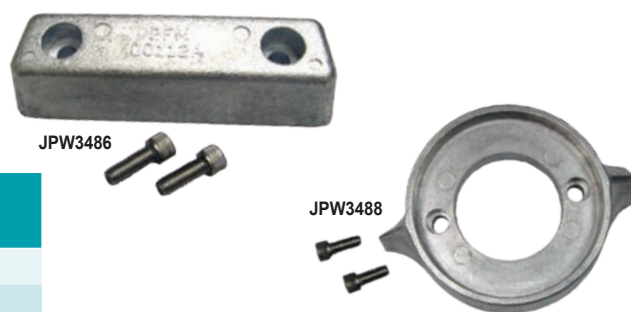
Volvo Penta Anode Kit - Volvo 280

Part No.	Kit Parts	Qty	Weight		Replacement OEM Number
			(lb)	(g)	
JPW3432	Prop Ring - V18	1	0.6	272	875815
	Anodic Bar	1	0.8	363	832598



Volvo Penta Anode Kit - Volvo 290

Part No.	Kit Parts	Qty	Weight		Replacement OEM Number
			(lb)	(g)	
JPW3425	Prop Ring - V18	1	0.6	272	875815
	Anodic Bar	1	0.8	363	832598

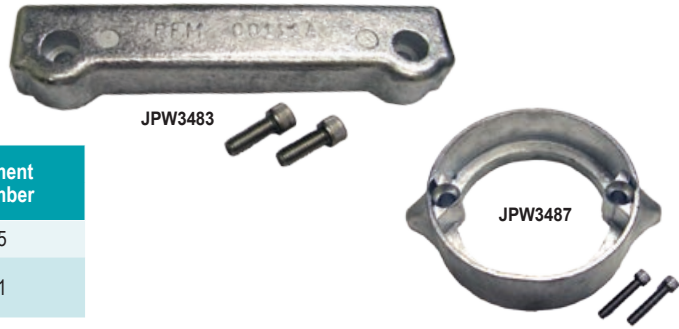


Volvo Penta Anode Kit - Volvo SX

Part No.	Kit Parts	Qty	Weight		Replacement OEM Number
			(lb)	(g)	
JPW3433	Gimbal Plate - SX	1	0.9	408	3854130
	Transom Plate - SX	1	0.9	408	3855411



**Volvo Penta Anode Kit -
Volvo 280 Dual Prop**



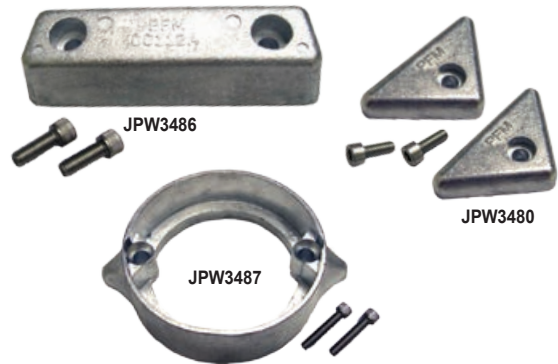
Part No.	Kit Parts	Qty	Weight		Replacement OEM Number
			(lb)	(g)	
JPW3434	Anodic Bar	1	0.7	318	852835
	Prop Ring - Duo Prop (US)	1	0.5	227	875821

**Volvo Penta Anode Export Kit -
Volvo 290 Export**



Part No.	Kit Parts	Qty	Weight		Replacement OEM Number
			(lb)	(g)	
JPW3435	Prop Ring - V18	1	0.6	272	875815
	Side Mounted Anode - SX, DP-X	2	0.1	45	872793
	Anodic Bar	1	0.7	318	852835

**Volvo Penta Anode Export Kit -
Volvo 290 Dual Prop Export**



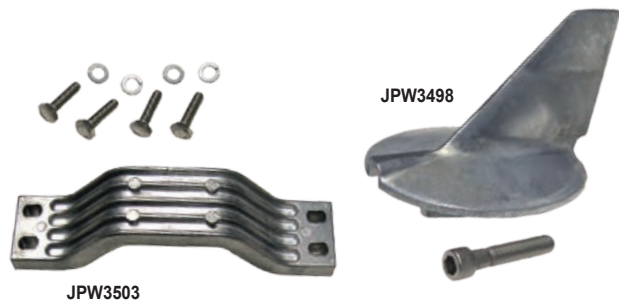
Part No.	Kit Parts	Qty	Weight		Replacement OEM Number
			(lb)	(g)	
JPW3426	Anodic Bar	1	0.7	317	852835
	Side Mounted Anode - SX, DP-X	2	0.1	45	872793
	Prop Ring - Duo Prop (Export Use)	1	0.5	226	875821

**Yamaha Anode Kit -
200-250HP 4-Stroke**



Part No.	Kit Parts	Qty	Weight		Replacement OEM Number
			(lb)	(g)	
JPW3427	Transom Anode	1	0.8	363	6G5-45251-02
	Trim Tab 150, 175HP (Counter Rotating)	1	0.6	272	6K1-45371-02

**Yamaha Anode Kit -
150HP C. Rot**



Part No.	Kit Parts	Qty	Weight		Replacement OEM Number
			(lb)	(g)	
JPW3437	Transom Anode	1	0.8	363	6G5-45251-02
	Trim Tab 200-250HP, 4-Stroke	1	0.6	272	61A-45371-00

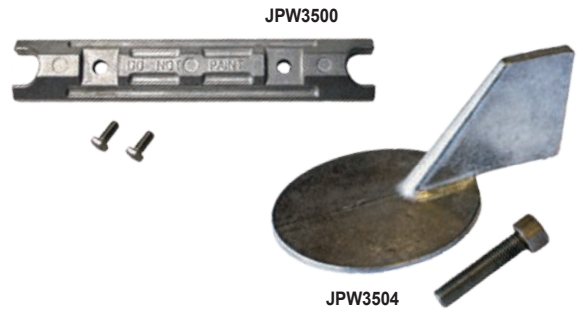
Yamaha Anode Kit - 150HP

Part No.	Kit Parts	Qty	Weight		Replacement OEM Number
			(lb)	(g)	
JPW3438	Transom Anode	1	0.8	363	6G5-45251-02
	Trim Tab 150, 175HP	1	0.6	272	6J9-45371-01

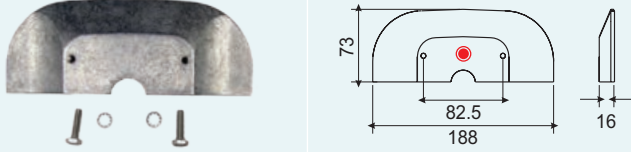
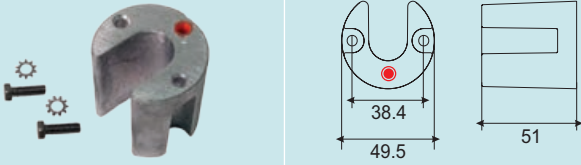
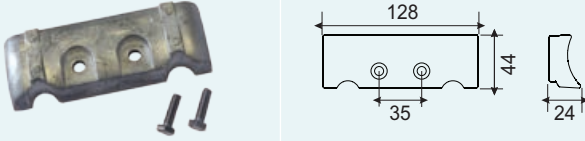


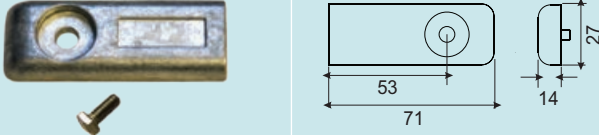


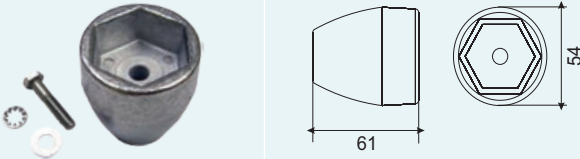
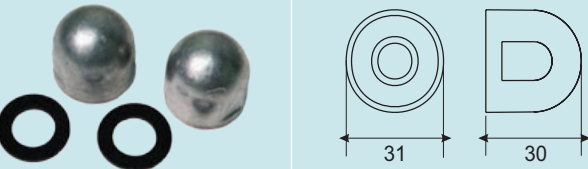


Yamaha Anode Kit - 60-90HP


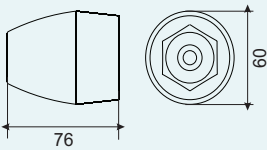

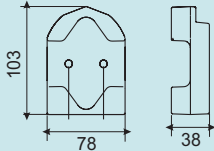

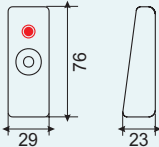

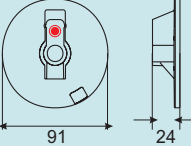

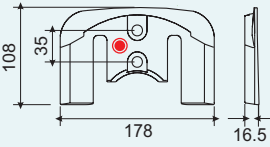

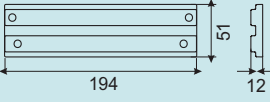
Part No.	Kit Parts	Qty	Weight		Replacement OEM Number
			(lb)	(g)	
JPW3439	Transom Anode	1	0.45	204	6H1-45251-02
	Trim Tab 60-90HP	1	0.4	181	688-45371-02




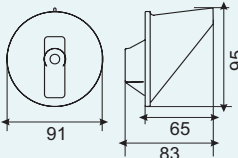

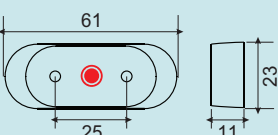

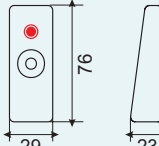

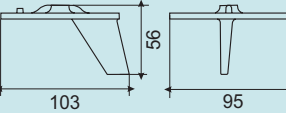
Mercury/Mercruiser Aluminium Anodes

Part No.	Image	Dimensions	Anode Type	Weight (g)	Replacement OEM No.
JPW3409		73 82.5 188 16	Alpha Cavitation Plate	240	821629T 1
JPW3410		38.4 49.5 51	Bravo Trim Cylinder	120	806190T 1
JPW3411		128 44 35 24	Manifold Anode	210	880653
JPW3412		38 48 14	Alpha Trim Cylinder	30	806189T 1
JPW3413		75 89 22	Bravo Bearing Carrier	70	806188A 1
JPW3414		53 71 14 27	Trim Cylinder Anode	40	893404
JPW3415		85 74 24	Alpha Bearing Carrier	80	806105T 1
JPW3416		91 24	Trim Tab Anode Flat	100	76214T 5
JPW3417		61 54	Bravo 3 Prop Anode	180	865182A 1
JPW3418		31 30	Gimbal Housing Bolt	70	55989T 9

Mercury/Mercruiser Aluminium Anodes *continued*

Part No.	Image	Dimensions	Anode Type	Weight (g)	Replacement OEM No.
JPW3419			Bravo 3 Prop Anode (2003 and Older)	280	NIL
JPW3420			Gimbal Housing Block	300	821631T 1
JPW3421			Side Pocket Anode	80	826134T
JPW3422			Trim Tab Anode Flat (No Thread)	100	76214-4
JPW3423			Bravo Cavitation Plate	350	821630T 1
JPW3424			Outboard Power Trim	230	818298T 1

Honda Aluminium Anodes

Part No.	Image	Dimensions	Anode Type	Weight (g)	Replacement OEM No.
JPW3401			Trim Tab Anode	170	41107-ZW1-003ZA
JPW3471			Side Mounted	50	41106-935-812
JPW3421			Side Pocket Anode	80	41109-ZW1-003
JPW3402			Trim Tab	120	41107-ZV5-000

BRP/Evinrude Johnson & OMC Aluminium Anodes

Part No.	Image	Dimensions	Anode Type	Weight (g)	Replacement OEM No.
JPW3450			Side Mounted	50	123009/327606/ 173029
JPW3451			Prop Shaft	80	431708
JPW3452			Transom Mount	320	984547
JPW3453			Transom	300	392462
JPW3454			Block	150	397768
JPW3455			Rear Gear Case	150	433458/ 398331
JPW3456			Transom Bar	300	433580
JPW3457			Horse Shoe	280	983494
JPW3458			Outboard Anode	300	392123
JPW3459			Outboard Anode	300	398873
JPW3460			Cobra Anode	400	3853818/ 984513
JPW3461			Rear Gear Case Cobra	100	436745/ 39302

Volvo Penta Aluminium Anodes

Part No.	Image	Dimensions	Anode Type	Weight (g)	Replacement OEM No.
JPW3480			Side Triangle Anode (SX, DP-X)	40	872793-5
JPW3481			Prop Ring (V17)	100	875806-4
JPW3482			Anodic Bar	250	872139
JPW3483			Anodic Bar	360	832598-7
JPW3484			Prop Ring (V16)	70	875810-4
JPW3485			Prop Ring (110 Sail Drive)	350	875812
JPW3486			Anodic Bar	300	852835-8
JPW3487			Prop Ring (Duo Prop)	230	875821-1
JPW3488			Prop Ring (V18)	260	875815
JPW3489			Prop Ring (V15)	70	875810-4
JPW3490			Gimbal Plate (SX)	400	3854130
JPW3491			Transom Plate (SX)	400	3855411
JPW3492			Prop Ring - Duo Prop (Exp)	230	875821

Yamaha Aluminium Anodes

Part No.	Image	Dimensions	Anode Type	Weight (g)	Replacement OEM No.
JPW3471			Side Mounted	50	6E0-45251-11
JPW3494			Block	70	6E5-45251-00
JPW3495			Button	20	688-45251-01
JPW3402			Trim Tab	120	664-45371-01
JPW3497			Trim Tab 150, 175HP	300	6J9-45371-01
JPW3498			Trim Tab 200- 250HP 4 Stroke	300	61A-45371-00
JPW3499			Trim Tab	200	6E5-45371-01
JPW3500			Transom Bar Anode	200	6H1-45251-02
JPW3501			Trim Tab 150- 175HP C. Rot	300	6K1-45371-02
JPW3502			Trim Tab C. Rot	200	6K1-45371-00
JPW3503			Transom Anode	400	6G5-45251-02
JPW3504			Trim Tab 60-90HP	200	-

SEATS, TABLES & ACCESSORIES 07

SEATS

Avento Suspension Seats.....	110 - 111
Double Benches	116
Seat Covers	119
Single Padded Seats.....	113 - 118
Tinny Seat Cushions	119
Unpadded Folding Seats	119

PEDESTALS

Fixed, Adjustable, Gas & Fibreglass.....	120 - 121
Foot Rests.....	121

SWIVELS & SLIDES

Seat Mountings.....	112
Seat Swivels & Slides	123 - 124
Softrider Swivels & Slides.....	122
Trim Colours	112

TABLES

Folding Seat Leg	125
Plastic Table Tops.....	125
Table Pedestals.....	125

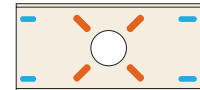
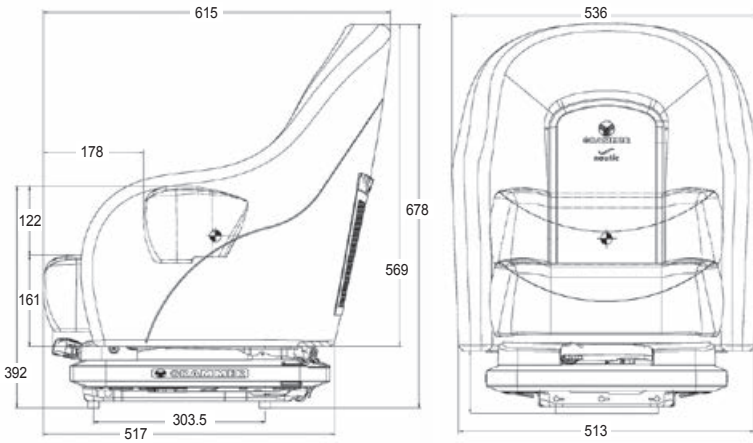


AVENTO Advanced Flip-Up Sports Seat - Full Suspension

The Avento Advanced flip-up seat is designed for use on powerboats where support and comfort are essential. Its in-built shock absorption technology reduces vibrations and minimise jolts, while an ergonomic backrest provides excellent side support, even for cornering at high speeds.

Features:

- Flip-up seat with full suspension
- Flip-up function allows for more space and overview when manoeuvring
- Can be built on seat pedestal or box
- Different panel and cushion colours available with individual embroidery
- UV- and salt water-resistant • Weight: 26kg



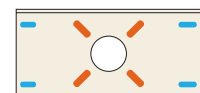
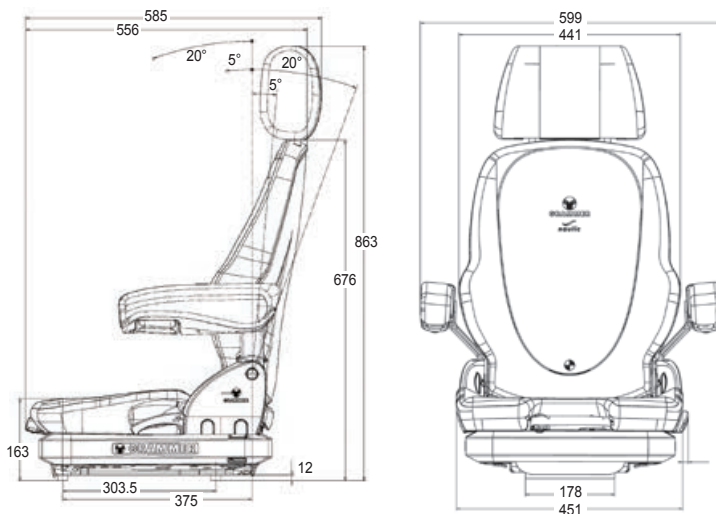
Slide-mount only

Part No	Description
JPW2941	AVENTO Advanced Flip-Up Sports Seat

AVENTO Premium Sports Seat - Full Suspension

The Avento Premium helm-style seat offers the same great shock absorption technology as the Advanced in a more compact size. It also features an ergonomic and comfortable backrest that can be adjusted from -5° to +20° in 2.5° increments to suit the users' preference.

- Individual backrest inclination adjustment: inclination angle from -5° to +20° adjustable in 2.5° steps
- Individual weight adjustment range: 45 - 130kg • Can be built on seat pedestal or box
- Mechanical suspension with 80mm spring travel • Further colour combinations possible on request
- Optional accessories: armrests, headrest and lap belt • UV- and salt water-resistant • Weight: 22kg



Slide-mount only

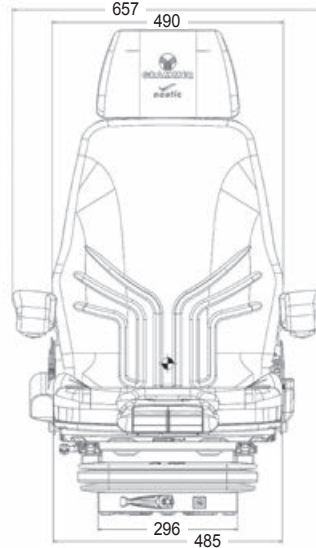
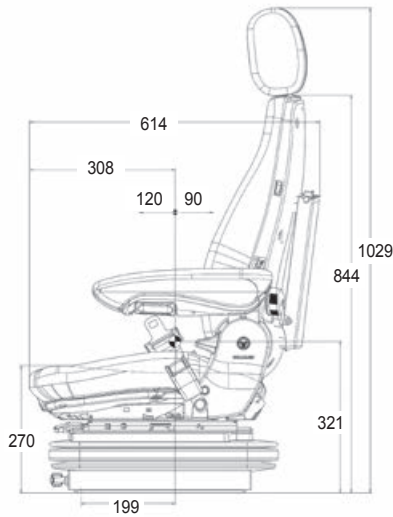
Part No	Description	Options	Description
JPW2943	AVENTO Premium Sports Seat	JPW2950	Left Armrest Kit to suit Avento Premium Seats
		JPW2951	Right Armrest Kit to suit Avento Premium Seats



AVENTO Pro M - Full Mechanical Suspension Seats

The Avento ProM mechanical suspension seat provides high standards of comfort and ergonomic support for crews and passengers on professional vessels in the maritime workplace. The Avento ProM also includes fold-able armrests and a reclining backrest for easy access and support.

- Adjustable backrest, headrest & seat cushion • Mechanical weight adjustment range: 50 - 130kg
- 210mm length adjustment • Variable seat cushion depth adjustment • Travel distance: 100mm
- Mechanical lumbar support • Folding armrests • 60mm height adjustment (mechanical) • Lap belt
- Weight: 40kg



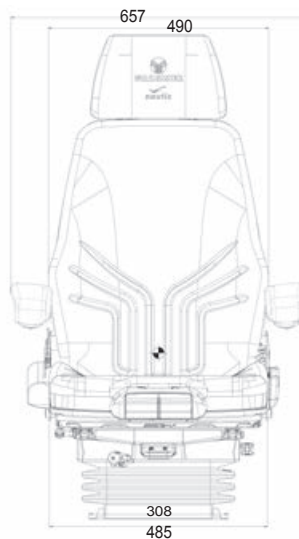
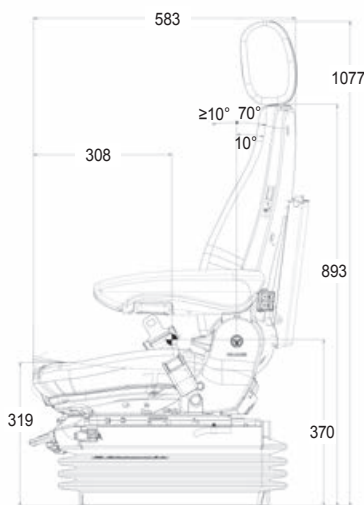
Part No	Description	Options	Description
JPW2945	AVENTO Pro M Professional Seats	JPW2952	Left Armrest Kit to suit Avento ProM/Air Seats
		JPW2953	Right Armrest Kit to suit Avento ProM/Air Seats



AVENTO Pro Air - Full Pneumatic Suspension Seats

The Avento Pro Air pneumatic suspension seat offers exceptional shock absorption and comfort to crew and passengers on professional vessels. It also features adjustable dampers to provide 100mm (4") suspension stroke or travel.

- Adjustable backrest, headrest & seat cushion • 210mm longitudinal adjustment
- Pneumatic low-frequency suspension with adjustable damper and lumbar support • Travel distance: 100mm
- Longitudinal horizontal suspension • Folding armrests • 80mm height adjustment (pneumatic) • Lap Belt
- Weight: 45kg



Part No	Description	Options	Description
JPW2947	AVENTO Pro Air Professional Seats	JPW2952	Left Armrest Kit to suit Avento ProM/Air Seats
		JPW2953	Right Armrest Kit to suit Avento ProM/Air Seats



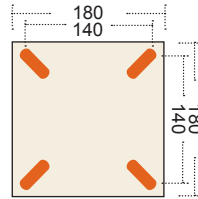
Mounting Patterns

Most of our seating range uses the standard swivel and the slide mounting plate pattern. To make the selection more simple, please refer to the diagrams listed with each chair to see which plate it needs.

Standard 7" x 7" Swivel Hole Mount Pattern:

This pattern is the most commonly used plate for mounting your marine chair, pedestals, slides and swivels.

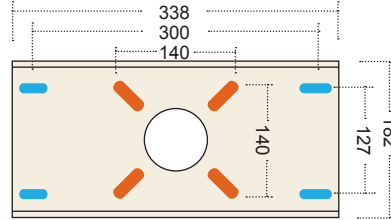
Mounting pattern size slotted: 140mm x 140mm.



Slide Mount Hole Pattern:

Designed to suit the larger heavier helm seats that accommodate a seat slide.

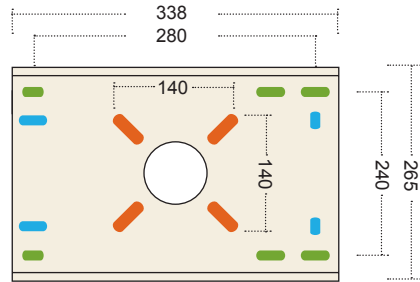
Mounting pattern size slotted: 300mm x 127mm.



Extra-Wide Slide Top:

Extra-wide design to give added strength and support for use with larger seats such as the RS56 Blue-Water Flip-Up Seat.

Mounting pattern size slotted: 280mm x 240mm.



(Dimensions are in mm)

Vinyl Colour Swatch

Colour illustrations displayed below are a guide to help match some of the common colours used through our seating range.

For **OEM** customers we can offer a seat colour swatch customisation. Contact your sales representative to customised a seat from our range.

Note: Although we have endeavoured to match the material colour, please note that this is merely a rough guide and should not be a substitute for seeing the actual product.



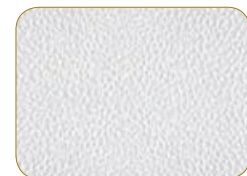
Example of the textured surface of the JPW vinyl range (excluding Grey Carbon Fibre)



Red (RD)



Dark Blue (DB)



Off-White (OW)



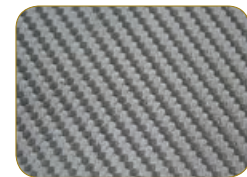
Mid Grey (MG)



Dark Grey (DG)



Black (BK)



Grey Carbon Fibre (GC)

Please note that this catalogue is a guide.

All seats and accessories have a specific installation procedure. Always follow the manufacturer's instructions when installing any of the products.

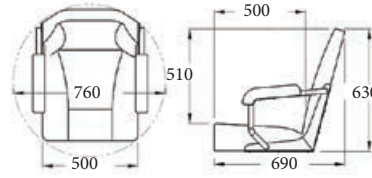
MOJO Deluxe Helm Seat

The MOJO boat seat has been carefully designed and made to a high standard. On a solid stainless steel frame, thick comfortable foam padding has been added to the seats' base, arm and back support, finished in marine-grade soft vinyl upholstery.

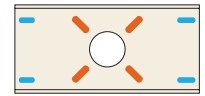
- High quality top end boat seat.
- Stainless steel (316) frame.
- Generously sized (wide & deep seat).
- Very comfortable with extra support.
- Padded seat/back & arm rests.
- Marine-grade heavy duty vinyl upholstery.
- Seat cover included with seat (JPW2743).
- Weight 16.5kg



Seat cover included



(Dimensions in mm)



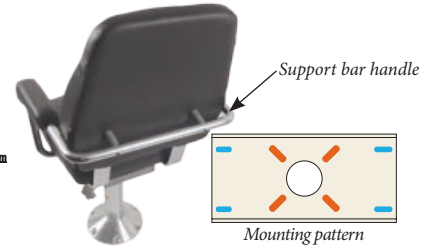
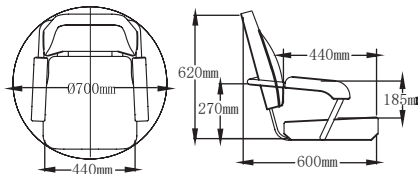
Mounting pattern

Part No.	Colour
JPW2745	Off-White
JPW2746	Dark Blue
JPW2747	Mid Grey

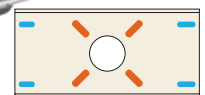
Mini MOJO Helm Seat

The Mini MOJO seat design is based on the MOJO above with a few changes.

- Finished in polished anodised aluminium frame work.
- Support bar handle built into seat back.
- Marine-grade vinyl trim - including arms.
- Quality cushioning & double-stitched seams.
- Weight 9.5kg



Support bar handle



Mounting pattern

Part No.	Colour
JPW2735	Off-White
JPW2736	Dark Blue / Off-White
JPW2737	Dark Grey / Mid Grey
JPW2738	Beige / Grey Carbon

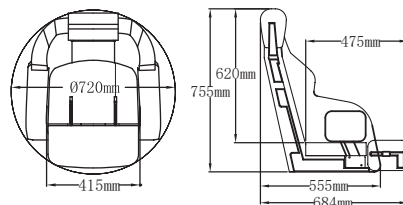
Options

JPW2743	Universal Seat Cover - Blue
---------	-----------------------------

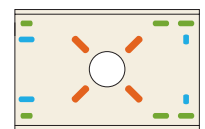
RS56 Blue-Water High Back Flip-Up Seat

The RS56 is a very comfortable large flip-up seat with extra height and cushioning for the head rest.

- Extra high back seat design.
- Extra width & cushioning for added comfort.
- Flip-up front cushion for a comfortable ride while standing at the helm.
- Use Extra-Wide gas pedestal with seat (JPW3026) or Extra-Wide base only (JPW2885)
- Weight 13.5kg



(Dimensions in mm)



Extra-wide slide-mounting pattern

Part No.	Colour
JPW2792	Off-White / Dark Blue
JPW2793	Off-White / Mid Grey

Options

JPW2743	Seat Cover - Universal Blue
JPW3026	Gas Pedestal 12" & Extra-Wide Slide Top

H52 Compact Flip-Up Seat

The H52 Compact Flip-Up Seat is a very smart looking boat seat with a hinged front bolster cushion that lifts and folds up allowing the helmsman to stand and lean against the seat with greater comfort.

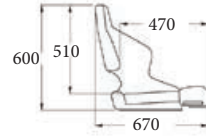
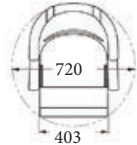
- A tighter snug fit gives you more support either sitting or standing at the helm.
- Weight 9.5kg



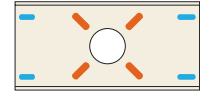
Part No.	Colour
JPW2770	Black / Off-White
JPW2771	Dark Blue / Off-White
JPW2772	Dark Grey / Mid Grey
JPW2773	Mid Grey

Options

JPW2743	Seat Cover - Universal Blue
---------	-----------------------------



(Dimensions in mm)



Mounting pattern

H52 Compact Seat - Non Flip-Up

The H52 non flip-up is the same seat as above just without the front flip-up cushion. A very strong and comfortable seat made with a rotationally-moulded bucket style internal frame, fully padded with premium foam and upholstered with soft marine-grade vinyl. This seat offers a compact fit to give you more support on the water.

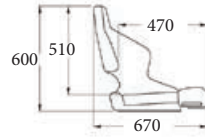
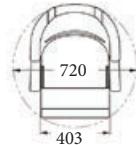
- Non flip-up H52 model.
- Weight 9.5kg



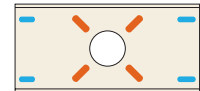
Part No.	Colour
JPW2775	Black / Off-White
JPW2776	Dark Blue / Off-White
JPW2777	Dark Grey / Mid Grey

Options

JPW2743	Seat Cover - Universal Blue
---------	-----------------------------



(Dimensions in mm)



Mounting pattern

M52S Helm Sports Bucket Seat

Very comfortable padded and upholstered bucket style in a compact overall size. Heavy duty rotationally-moulded plastic base frame is light weight, strong & supportive.

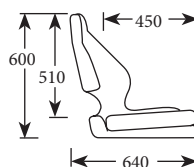
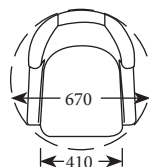
- Heavy duty rotationally-moulded base.
- Thick premium-grade foam padding.
- Marine-grade heavy duty vinyl upholstery.
- Compact bucket style design.
- Suggest using one of the seat slides for a more secure mounting option.
- Weight 6kg



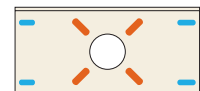
Part No.	Colour
JPW2829	Off-White
JPW2830	Off-White / Red
JPW2831	Mid Grey / Dark Blue

Options

JPW2743	Spare Seat Cover - Universal Blue
---------	-----------------------------------



(Dimensions in mm)



Mounting pattern

The Ocean 51 Flip-Up Seats

The Ocean 51 flip-up bolster is a very comfortable padded seat. Made from a rotationally-moulded base and frame that is fully padded, finished in marine-grade vinyl upholstery.

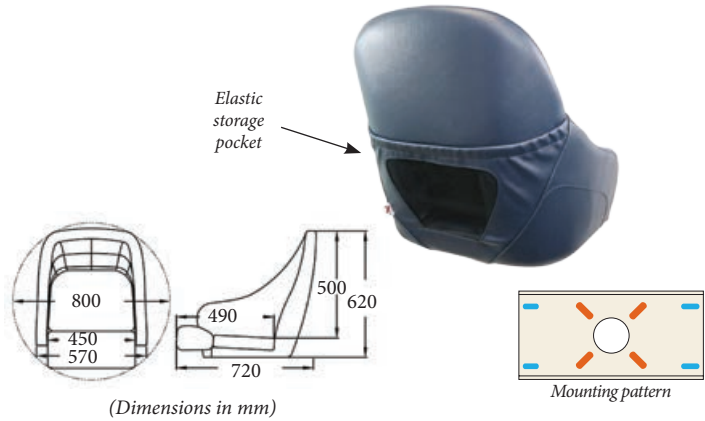
- Additional elastic storage pocket in back of seat added (630 x 250mm)
- Comfortable when sitting or standing (thick foam padding).
- Generously width with integral arm rests.
- Marine-grade heavy duty vinyl upholstery.
- Aluminium internal frame and hinges.
- Heavy duty rotationally-moulded base.
- Weight 12.1kg



Part No.	Colour
JPW2750	Off-White / Dark Blue
JPW2751	Dark Blue
JPW2752	Off-White
JPW2753	Mid Grey
JPW2754	Mid Grey / Dark Grey

Options

JPW2743	Seat Cover - Universal Blue
---------	-----------------------------



Deluxe Captain Seat

The Deluxe Captain seat is a good looking and well finished heavy duty marine helm seat. Made from a heavy duty rotationally-moulded base and back rest with anodised aluminium connecting back and arm supports.

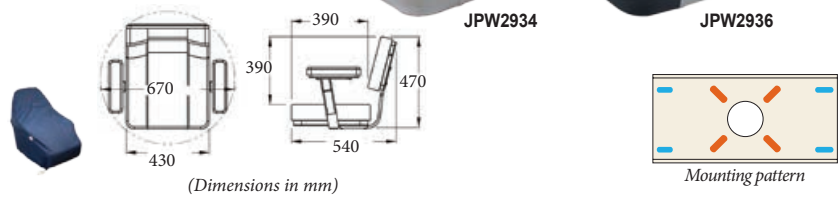
- Comes with stainless steel mounting hardware.
- Suggest using one of the seat slides for a more secure mounting option.
- Weight 7.5kg



Part No.	Colour
JPW2934	Off-White
JPW2936	Mid Grey / Dark Grey

Options

JPW2743	Seat Cover - Universal Blue
---------	-----------------------------



Flip-Up Flip-Back Seat - ST46

The ST46 Flip-Up Flip-Back helm seat is very unique with its two-way flip forward/back and flip-up features combined in the one seat.

- Comfortable & versatile - double-sided cushion for facing forward or back.
- Marine-grade vinyl covered padded cushions.
- Rotationally-moulded base and back.
- Aluminium connecting frame & hinges.
- Weight 13.5kg



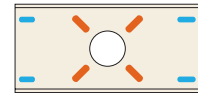
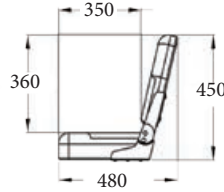
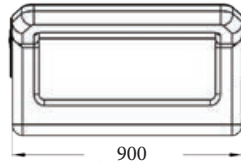
Part No.	Colour
JPW2823	Dark Grey / Mid Grey
JPW2824	Dark Blue / Off-White
JPW2825	Off White



S90 Double Folding Seat

This double folding seat is made from a heavy duty rotationally-moulded base, fully upholstered with heavy duty stainless steel hinges and marine-grade vinyl over thick premium foam padding.

- Perfect for boats requiring seating for two.
- UV-stabilised marine upholstery.
- Can be used with a box or pedestals.
- Two slide mount brackets required for mounting.
- Other trim colours available for bulk orders.
- Weight 12kg



(Dimensions in mm)

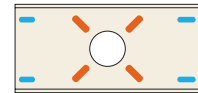
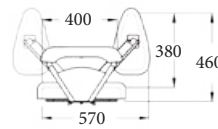
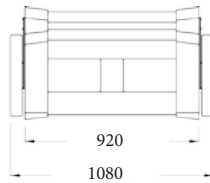
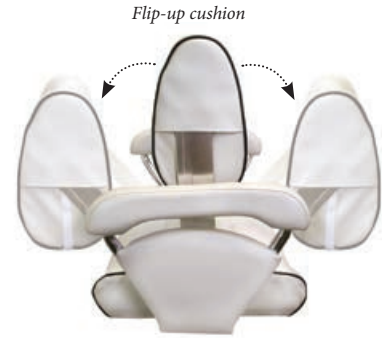
Mounting pattern

Part No.	Colour
JPW2826	Off-White / Black Piping
JPW2827	Mid Grey / Dark Grey Piping

ST90 Double Flip-Back Seat

This unique double flip-back seat with triangular arms allows facing for a front or back seating direction. Made with a rotationally-moulded base and back rest covered with heavy duty marine-grade vinyl over premium foam padding.

- Suits a box mounting or two fixed pedestal and two slide-mount brackets.
- Weight 14kg
- Other trim colours available for bulk orders.



(Dimensions in mm)

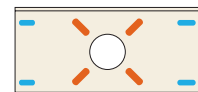
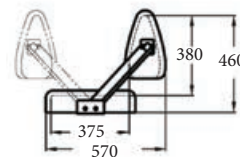
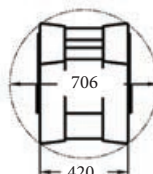
Mounting pattern

Part No.	Colour
JPW2828	Off-White / Dark Blue Piping

ST45 Two Way Flip Back Seat

The flip forward/back seat has been redesigned with a slimmer width to allow more room in the cabin. The seat will simply fold back to allow you to face in either direction.

- Upgraded design.
- Two-way reversible.
- Heavy duty marine-grade vinyl upholstery.
- High grade padded foam.
- Weight 8.5kg



(Dimensions in mm)

Mounting pattern

Part No.	Colour
JPW2757	Off-White / Black Piping
JPW2758	Dark Blue / Dark Blue Piping
JPW2759	Dark Blue / Off-White Piping

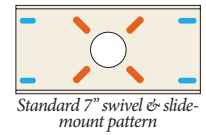
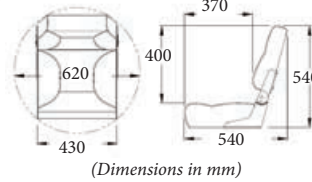
Deluxe Hi-Back Padded Folding Seat

A stylish and comfortable deluxe folding seat, with thick foam padding for extra comfort and a high back rest. Heavy duty moulded plastic inner frame and covered in marine-grade vinyl.

- This seat will fit a standard 7" swivel mount or slide mount bolt pattern.
- Finished with marine-grade vinyl.
- Corrosion-resistant aluminium non-pinch hinges.
- Heavy duty moulded base.
- Vinyl strap and stud to secure when folded.
- Weight 3.6kg



Folded seat

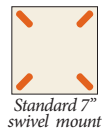
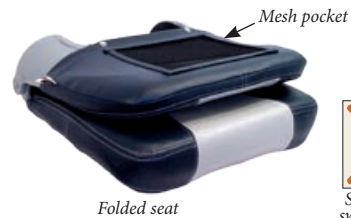
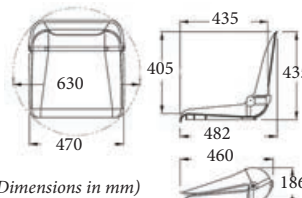


Part No.	Colour
JPW2781	Mid Grey / Dark Grey
JPW2782	Off-White / Dark Blue

SS48 Padded Folding Seat

A robust plastic folding padded seat with pinch safe locking hinges and double-stitched soft marine-grade vinyl upholstery.

- Removable padded cushions for easy repair
- Double-stitched.
- Added mesh pocket in the back for storage.
- Weight 3.8kg

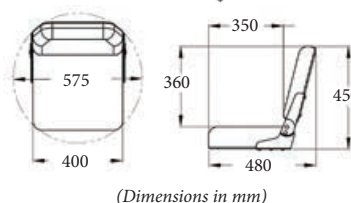


Part No.	Colour
JPW2764	Dark Blue / Off-White
JPW2765	Dark Blue / Mid Grey
JPW2766	Dark Grey / Mid Grey
JPW2767	Mid Grey

SC40 Folding Padded Seat

Comfortable and economical folding seat for dinghies and small boats.

- Thick marine grade foam padding and UV-stabilised vinyl upholstery.
- Stainless steel non-pinch hinges and heavy duty moulded plastic inner frame.
- Strap and press stud to secure seat when folded.
- Weight 3.6kg



Part No.	Colour
JPW2785	Dark Grey / Mid Grey Piping
JPW2786	Dark Blue / Off-White Piping

S40 Folding Padded Seat

The S40 folding seat is covered with marine-grade upholstery over extra thick premium grade foam padding.

- Non-pinch aluminium hinges.
- Weight 3.6kg



Folded seat



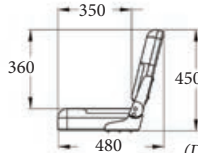
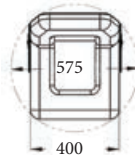
DB
OW

JPW2790

RD
OW

JPW2791

Part No.	Colour
JPW2790	Off White / Dk Blue Piping
JPW2791	Off White / Red



(Dimensions in mm)



Standard 7" swivel mount

Navigator Folding Padded Seat

This attractive folding seat is covered back and base.

- The pinch-safe hinges protect your fingers from being pinched when folding the seat to the upright position.
- Weight 5.3kg



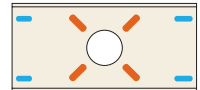
Folded seat



JPW2915

JPW2916

Part No.	Colour	Dimensions (mm) (L x W x H)
JPW2915	Grey / Black	230 x 450 x 450
JPW2916	Dark Blue / White	230 x 450 x 450



Standard 7" swivel & slide-mount pattern

Explorer Padded Folding Seats

The Explorer folding padded seats are made from durable moulded UV-stabilised plastic seat shells fitted with foam pads on both back and base. The seat back is hinged and a vinyl press stud strap retains the seat in the folded position.

- The seat base is pre-drilled to suit a variety of seat swivels and seat pedestals.
- Dimensions: 520mm x 450mm x 390mm.
- Weight 2.7kg



JPW2907

JPW2908

JPW2909

JPW2910

JPW2911

JPW2912

Part No.	Colour
JPW2907	Grey Shell / Dark Blue & White Cushion
JPW2908	White Shell / Dark Blue & White Cushion
JPW2909	Grey Shell / Grey Cushion
JPW2910	White Shell / White Cushion
JPW2911	Grey Shell / Charcoal & Grey Cushion
JPW2912	White Shell / Charcoal & Grey Cushion



Folded seat



Standard 7" swivel mount

Explorer Non-Padded Folding Seat

The Explorer non-padded folding seat is a shell-type seat made of durable UV-stabilised injection-moulded plastic.

- The seat back is hinged and a vinyl press stud strap retains the seat in the folded position.
- The seat base is pre-drilled to suit a variety of seat swivels and pedestals.



Folded seat



JPW2905

JPW2906



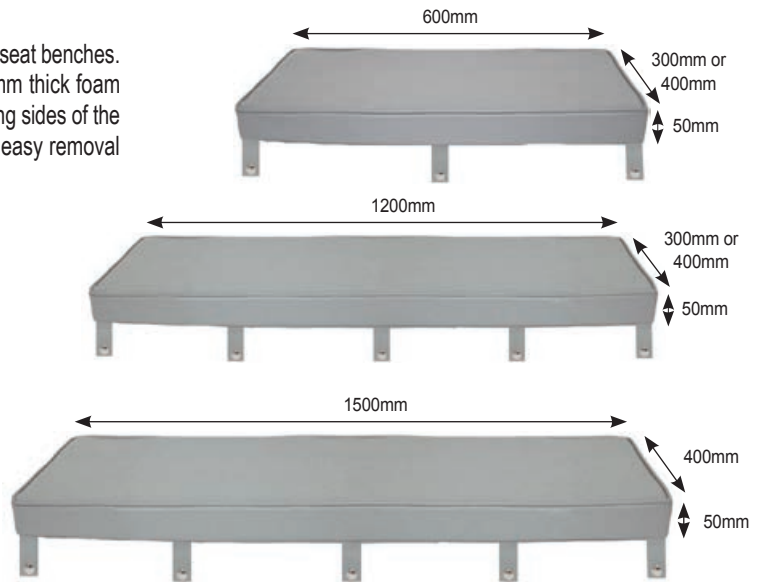
Part No.	Colour	Dimensions (mm) (L x W x H)
JPW2905	Grey Shell	520 x 450 x 390
JPW2906	White Shell	520 x 450 x 390

Tinnie Seat Cushions

Grey upholstered seat cushions designed to suit tinnie seat benches. Made from marine-grade UV-stabilised vinyl with 50mm thick foam padding. Chrome brass press studs located on both long sides of the cushions to fasten to the seat bench and to allow for easy removal when not in use.

- Two widths available - 300 or 400mm.
- Three lengths available - 600, 1200 or 1500mm.
- Colour: Light Grey

Part No.	Length	Width	Thickness
JPW2841	600mm	300mm	50mm
JPW2843	600mm	400mm	50mm
JPW2845	1200mm	300mm	50mm
JPW2847	1200mm	400mm	50mm
JPW2849	1500mm	400mm	50mm



Weatherproof Seat Cover - Navy

Keep your boat seat protected from the elements when it's not in use with this versatile, durable weatherproof seat cover.

- This blue cover will suit a wide variety of the larger helm, bucket seat models and includes a tightening cord to keep it securely over the seat.



Part No.	Description
JPW2743	Universal Seat Cover - Navy Blue

Boat Seat Cover - Grey

Easy to fit and effective solution to protecting your seats from weathering and deterioration.

- Dope dyed polyester 240 g/m² - 7.08 oz/lyd²
- Shock cord in hem for a tight fit around pedestal mounted seats.

Large Cover suits: Helm, busket and fixed back seats.

Small Cover suits: Small folding or pedestal seats
Fold away design allows for covers to secure seats in place with strap.



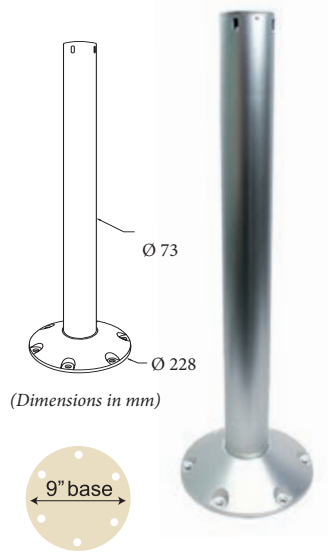
Part No.	Description	Size
JPW11403	Small Seat Cover - Grey	L 460 x W 510 x H 480mm
JPW11404	Large Seat Cover - Grey	L 600 x W 560 x H 670mm

Pedestal Fixed Height Seat - No Top

Our fixed height pedestals are made from marine-grade anodised aluminium tubing.

- The pedestal base is made from reinforced cast aluminium.
- Pedestal post diameter: 73mm.

Part No.	Height (mm)
JPW3006	500
JPW3007	600
JPW3008	700
JPW3009	800
JPW3010	900
JPW3018	Swivel slide top to suit
JPW3019	Swivel top to suit

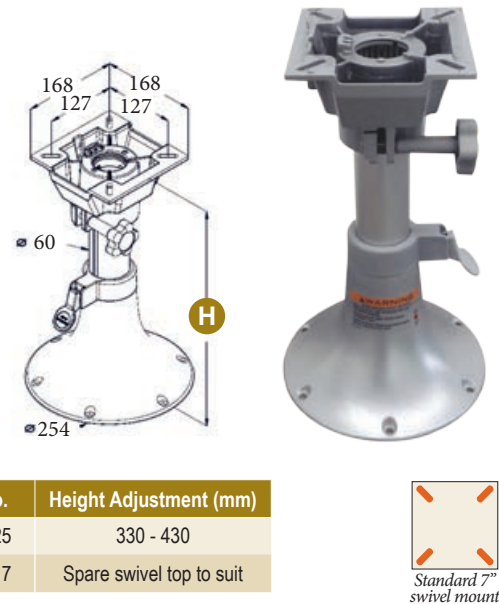


Bell Adjustable Pedestal

The Bell manual adjustable seat pedestal with seat swivel.

- Corrosion-resistant aluminium, powder-coated base and lockable swivelling seat mount.

Part No.	Height Adjustment (mm)
JPW3025	330 - 430
JPW3017	Spare swivel top to suit

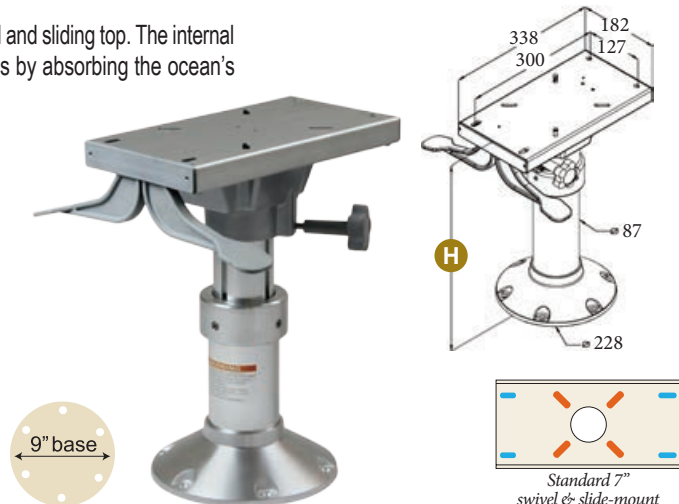


Gas Seat Pedestal - 9" Base

This gas spring-assisted seat pedestal comes complete with a swivel and sliding top. The internal spring helps compensate for the harsh offshore boating conditions by absorbing the ocean's chop. Made from marine-grade aluminium.

- Two adjustment handles (height and slide).
- Polished base and tube finish.
- 120kg bearing weight (this includes a chair).

Part No.	Height Adjustment (mm)	Slide Travel (mm)
JPW3011	300 - 400	127
JPW3012	350 - 470	127
JPW3020	425 - 600	127
JPW3021	535 - 700	127
JPW2884	Spare swivel slide top to suit	

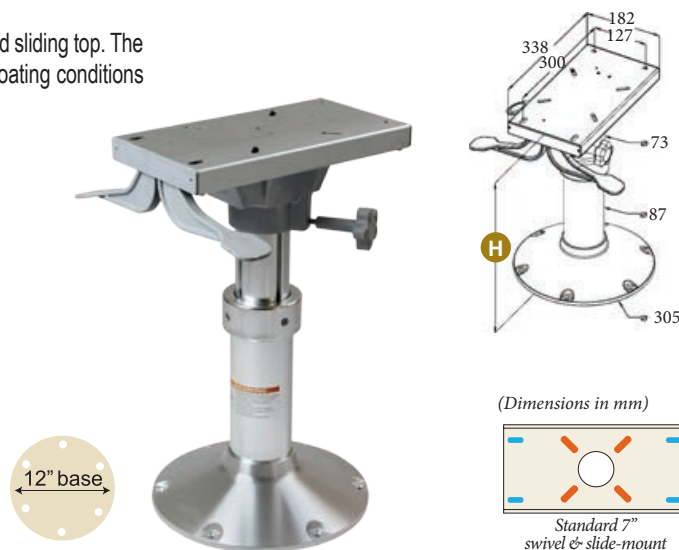


Gas Seat Pedestal - 12" Base

This marine-grade aluminium seat pedestal comes with a swivel and sliding top. The gas spring-assisted feature compensates for the harsh offshore boating conditions by absorbing the oceans' chop.

- Two adjustment handles (height and slide).
- Heavy duty base and large post for greater strength and stability.
- Polished base and tube finish.
- 120kg bearing weight (this includes a chair).

Part No.	Height Adjustment (mm)	Slide Travel (mm)
JPW3013	300 - 400	127
JPW3014	350 - 470	127
JPW3022	440 - 600	127
JPW3023	540 - 700	127
JPW2884	Spare swivel slide top to suit	

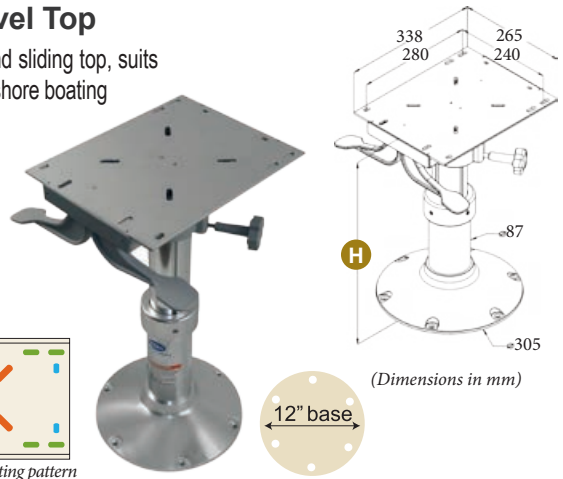
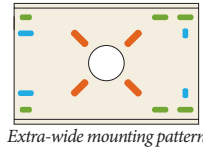


Gas Seat Pedestals - 12" Base - Extra-Wide Swivel Top

This marine-grade aluminium seat pedestal comes with an extra-wide swivel and sliding top, suits the larger RS56 seat. The gas spring-assisted feature compensates for harsh offshore boating conditions by absorbing the oceans chop.

- Two adjustment handles (height and slide).
- Heavy duty base and large post for greater strength and stability.
- Polished base and tube finish.
- Suits the RS56 Blue-Water Flip-Up Seat (JPW2792 & JPW2793).

Part No.	Height Adjustment (mm)	Slide Travel (mm)
JPW3026	435 - 605	127
JPW2885	Spare swivel slide top to suit (extra large)	

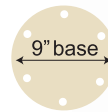


Plug-In Seat Pedestal & Swivel Top

Plug-in removable pedestals are ideal for quick removal of your seats to make room on deck. The pedestal has a strong anodised aluminium post and base. This product boasts its unique notched keyed design that provides security against rotation in the base when seat is fitted.

- Cut-out hole size: 90mm.
- Below-deck space required: 70mm.

Part No.	Height (mm)	Base Dia (mm)
JPW3085	330	230
JPW3086	457	230
JPW3087	610	230
JPW3088	Spare plug-in base to suit	
JPW3017	Spare swivel top to suit	

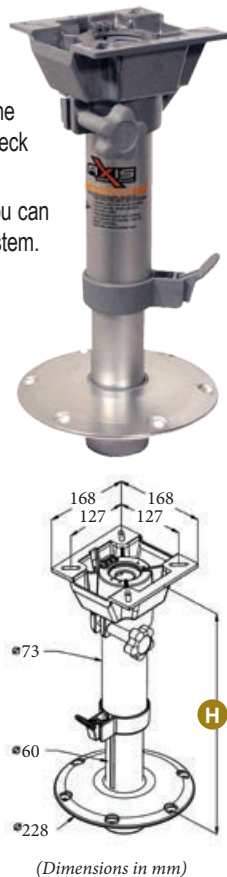
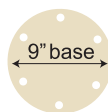


Plug-In Pedestal - Adjustable

This plug-in removable pedestal can be adjusted in height from 330mm - 450mm. The ideal pedestal for removing your seats on deck and raising them up and down.

Once the post is engaged into the base, you can rely on a strong, safe and stable seating system.

- 230mm plug-in base.
- Swivel top friction tightening.
- Strong 75mm anodised aluminium tubing.
- Unique notched keyed design (providing security against rotation in the base and seat mount).
- Cut-out hole size: 90mm.
- Below-deck space required: 70mm.

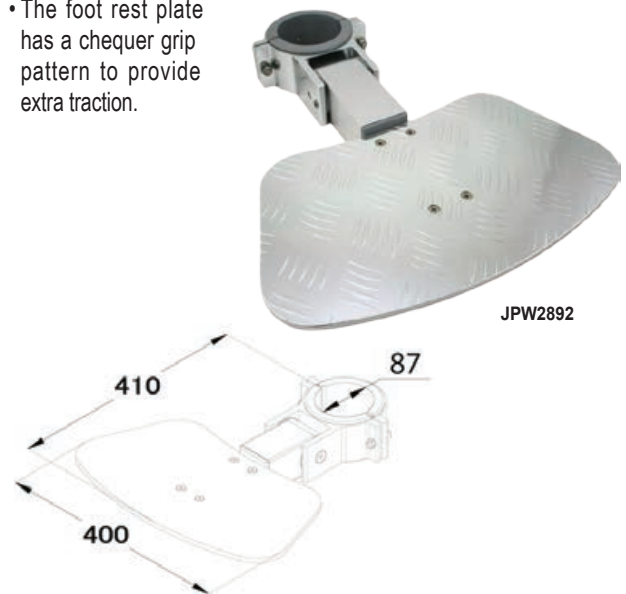


Part No.	Height (mm)
JPW3027	330 - 480
JPW3088	Spare plug-in base to suit
JPW3019	Spare swivel top to suit

Pedestal Foot Rest with Checker Plate

Made from marine-grade aluminium with stainless steel hardware, this foot rest suits a pedestals with a 73mm or 87mm diameter post and can be folded up when not in use.

- The foot rest plate has a chequer grip pattern to provide extra traction.

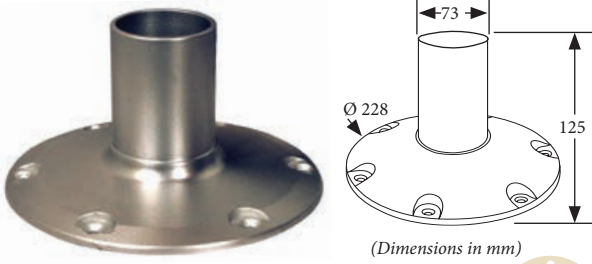


Part No.	Description
JPW2892	Foot Rest Fold-Up Chequer Plate 87mm
JPW2893	Foot Rest Fold-Up Chequer Plate 73mm

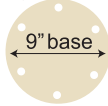
Seat Box Pedestal - No Top

A fixed height anodised aluminium pedestal, perfect for mounting on top of seat boxes. Suits any of our pedestals with a 73mm opening.

- Use JPW3018 for a swivel slide addition.



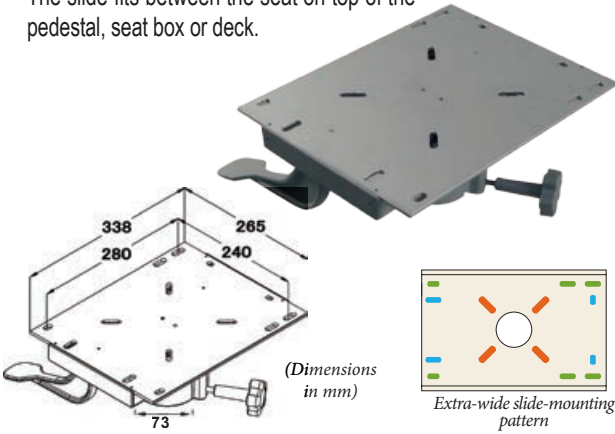
Part No.	Description
JPW3016	Box Pedestal suit 73mm Post



Seat Swivel & Slide Heavy Duty - Extra-Wide

This heavy duty anodised aluminium seat slide fits to 73mm fixed pedestals. The finger tip control allows 110mm fore to aft movement of the seat.

- The slide fits between the seat on top of the pedestal, seat box or deck.

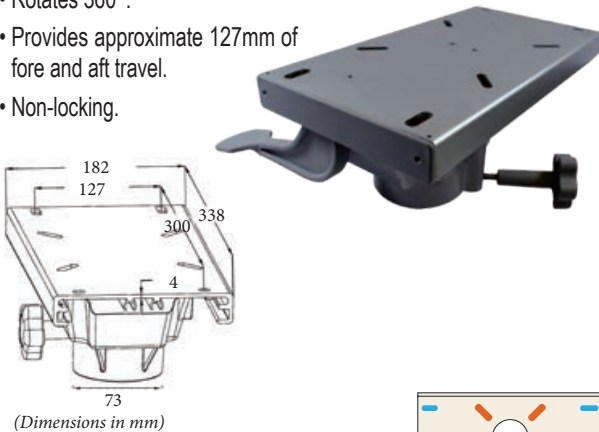


Part No.	Description
JPW3015	Extra-Wide Swivel top suit 73mm Post

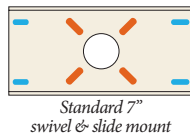
Seat Swivel & Slide Top

This swivel and slide top is made from high-strength aluminium with powder-coated swivel. Suits fixed height pedestals with 73mm post.

- Rotates 360°.
- Provides approximate 127mm of fore and aft travel.
- Non-locking.



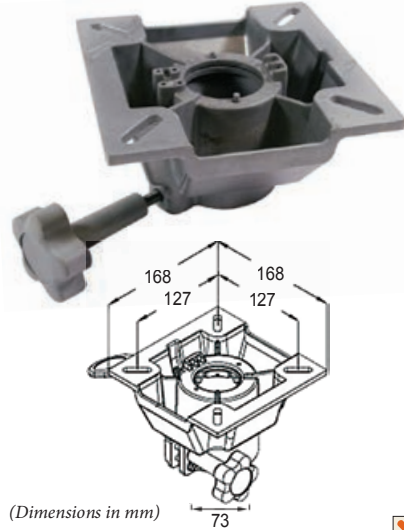
Part No.	Description
JPW3018	Swivel Slide Top suit 73mm Post



Seat Swivel Top Pedestal with 73mm Post

The swivel top is made from a cast aluminium then powder-coated grey. Suits 73mm pedestals complete with internal nylon bushing for a tight fit to post.

- Rotates 360°.
- Tightening knob is to clamp and tighten into position.
- Non-locking.
- Standard seat mounting hole pattern.



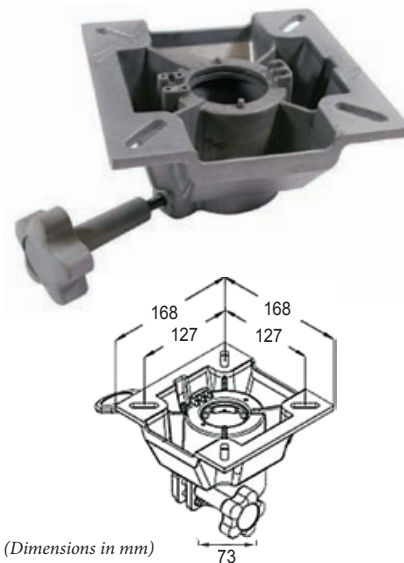
Part No.	Description
JPW3019	Swivel Top suit 73mm Post



Seat Swivel Top Pedestal with 60mm Post

The friction lock is one of the most popular swivels available on the market. Functional, dependable and easy to use by itself or combined with any of the other locking slides.

- High-strength aluminium with powder coated finish.
- 60mm Ø (2-3/8") post mount with bushing for snug fit.
- Rotates 360°.
- Friction lock.



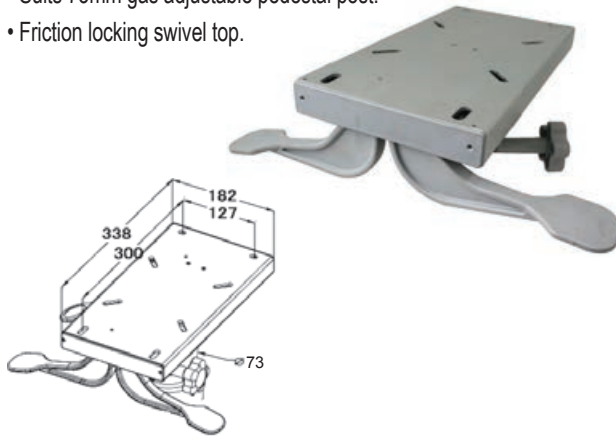
Part No.	Description
JPW3017	Swivel Top suit 60mm Post



Seat Slide & Swivel Top Suit 73mm Post

This swivel and slide top is made from high strength aluminium with a cast aluminium swivel.

- Rotates 360°.
- Provides approximately 127mm of fore and aft travel.
- Suits 73mm gas adjustable pedestal post.
- Friction locking swivel top.

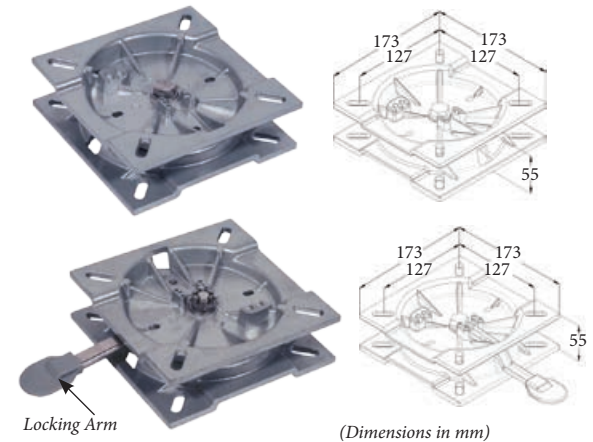


Part No.	Description
JPW2884	Swivel Slide Top suit 73mm Post

Cast Aluminium Seat Swivels

Powder-coated grey seat swivels are constructed from cast aluminium. Suits most seats with a standard 7"x7" seat mount pattern.

Available in non-locking or swivel locking position.



Part No.	Type
JPW2866	Non-Locking Swivel
JPW2869	Locking Arm Swivel



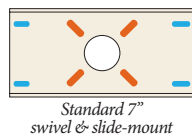
Seat Slide & Swivel Top Suit 60mm Post

This swivel and slide top is made from high strength aluminium with a cast aluminium swivel.

- Rotates 360°.
- Provides approximately 127mm of fore and aft travel.
- Suits 60mm gas adjustable pedestal post.
- Friction locking swivel top.



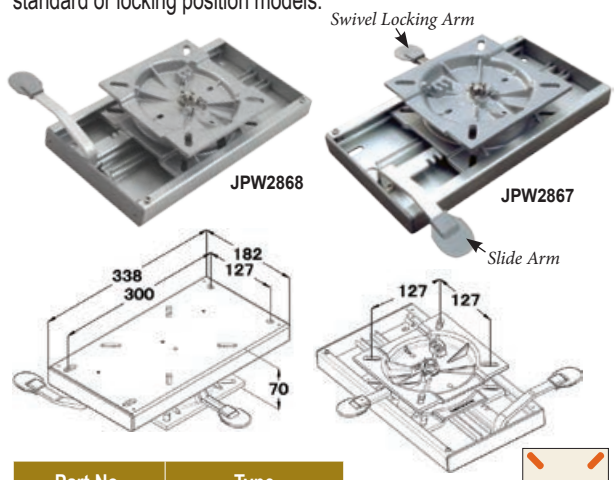
Part No.	Description
JPW2886	Swivel Slide Top suit 60mm Post



Cast Aluminium Seat Swivel & Slide

Seat slide and swivel made from powder-coated heavy duty cast aluminium, and provides approximately 125mm of fore and aft travel.

This will suit most seats mounting pattern and is available in either standard or locking position models.



Part No.	Type
JPW2867	Locking Arm
JPW2868	Standard

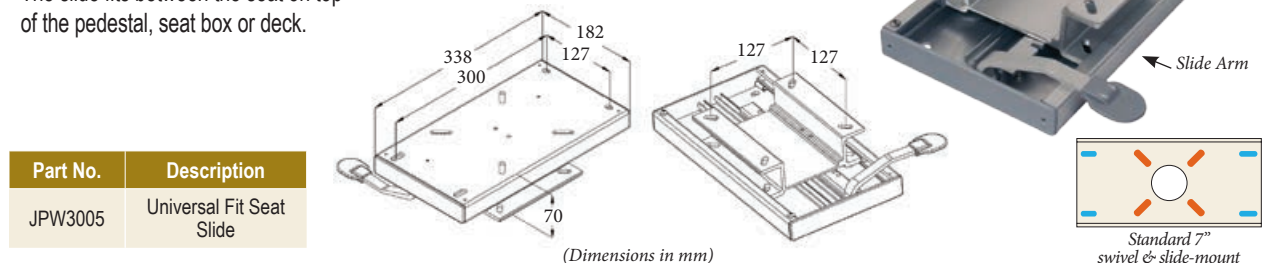
(Dimensions in mm)



Seat Slide Universal Fit - Heavy Duty

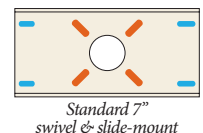
This heavy duty anodised aluminium seat slide fits most seats and pedestals.

- The finger tip control allows 110mm fore to aft movement of the seat.
- The slide fits between the seat on top of the pedestal, seat box or deck.



Part No.	Description
JPW3005	Universal Fit Seat Slide

(Dimensions in mm)



Seat Swivels

360° Seat swivel rotation available in 3 types, Black EDC-coated steel or marine-grade anodised aluminium with stainless steel pin or full stainless steel option. All swivels have nylon runners for a silent smooth operation.

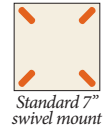


Part No.	Type	Dimensions (mm)
JPW2861	Black EDC	175 x 175
JPW2863	Aluminium	175 x 175
JPW2864	Stainless Steel	175 x 175



Clamp on Swivel

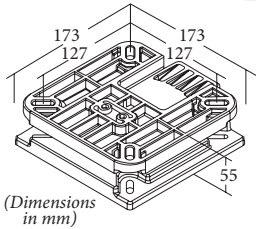
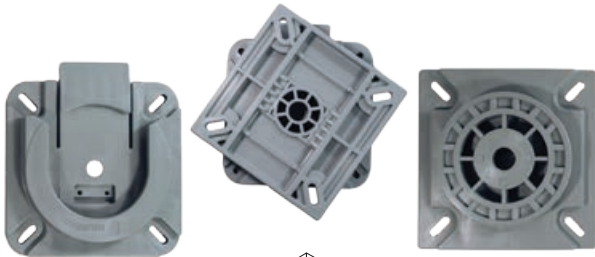
Ideal for tinnies, this seat swivel clamps via a threaded rod and wing-nut adjustment on most small dinghy/tinnie bench seats, enabling quick and easy fitment and removal for storage. The clamp has a non-slip plastic vinyl coating to prevent marking of the bench seat.



Part No.	Swivels (mm)	Swivel Dimensions (mm)
JPW2881	200 - 400	175 x 175

Quick Release Plastic Seat Swivel

The quick-release 360° seat swivel is ideal for multiple seat locations around the deck, or for easy seat removal for security or storage. A quick disconnect release lever, when pressed firmly releases the swivel from its base. Standard 7"x7" mounting pattern that is used for most seats.



Part No.
JPW2992

(Dimensions in mm)



Seat Swivel - Large Hole

- Seat swivel 360° rotation.
- Nylon slide runners for a smooth and silent performance.
- Non-locking.



JPW3002



Part No.	Swivel Finish	Dimensions (mm)
JPW3002	Stainless Steel	175 x 175

Seat Swivels Locking- Large Hole

- Seat swivel 360° rotation.
- Nylon slide runners for a silent performance.
- 30° intervals (12-position) locking arm.
- Release handle extends 150mm.



JPW3004

JPW3003

Part No.	Swivel Finish	Dimensions (mm)
JPW3003	Black EDC	175 x 175
JPW3004	Stainless Steel	175 x 175



Seat Swivel Pedestal - Fixed Height

Black EDC-coated steel, fitted with a 175mm standard seat swivel.



Part No.	Fixed Height (mm)
JPW3030	200
JPW3031	330



Table Pedestal - Fixed Height

This fixed height table pedestal is designed as a surface-mount installation.

- There is no need to cut a hole in the deck to mount its base.
- The top of the pedestal screws to the underside of a table.
- Table and pedestal can be released at the base by a push of a button for convenient storage.



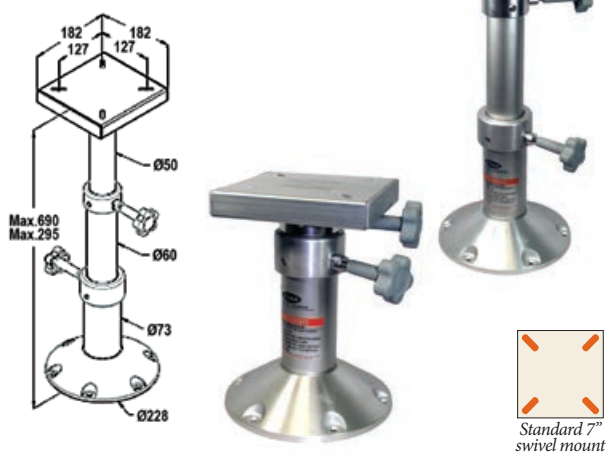
(Dimensions in mm)

Part No.	Height (mm)	Shaft Dia (mm)	Base Dia (mm)	Top Dia (mm)
JPW3070	685	60	180	170
JPW3076	Spare base to suit			

Heavy Duty - Manual Adjustable Height

Three-step adjustable height pedestal.

- Corrosion-resistant anodised aluminium.
- Includes lockable swivelling table mount.
- Table raises, lowers, and locks at desired height.

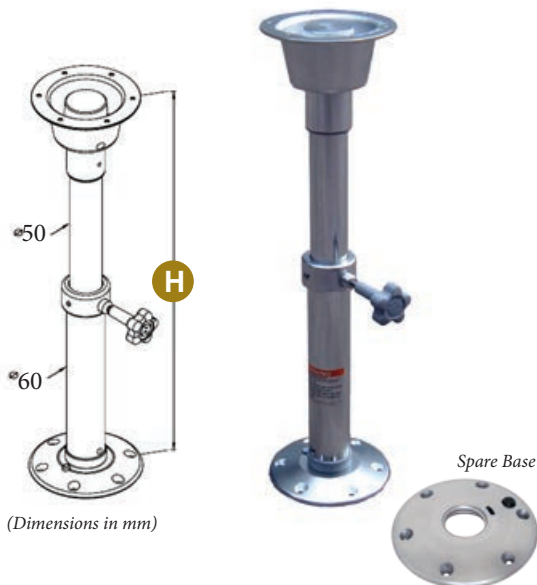


Part No.	Height (mm)	Base Dia (mm)	Pedestal Top (mm)
JPW3075	300 - 690	230	280 (L) x 285 (W)

Table Pedestal - Adjustable Height

Made from polished anodised aluminium.

- Mounts nearly flush to deck for minimal interference when table is removed.
- Unique locking system ensures the pedestal is securely locked.
- Easy to remove for storage.



(Dimensions in mm)

Part No.	Height (mm)	Base Dia (mm)	Top Dia (mm)
JPW3072	500 - 700	180	170
JPW3076	Spare threaded base for multiple mounting options		

Folding Seat Legs

Made of anodised aluminium. A simple yet effective fold down mechanism firmly locks the seat leg in the up or down position.



Part No.	Height (mm)
JPW2882	630

Plastic Table Tops - White

- Constructed of high quality UV-stabilised injection-moulded plastic.
- Designed for the marine/caravan market.
- Moulded recessed cup holders (86mm & 75mm) with drainage holes.



Part No.	Shape	No. of Cup Holders	Dimensions (mm) (L x W x H)
JPW3080	Round	2	610 x 610 x 40
JPW3081	Oval	2	460 x 760 x 40

HOW TO ORDER

Select products from the catalogue or through our website using the product categories or search function. Make note of the part numbers to facilitate ordering.

ONLINE



Login to our website
with your customer username & password.

www.jpwmarine.com.au

If you know our product codes, use the
'Quick Order' form for a speedy checkout.

PHONE

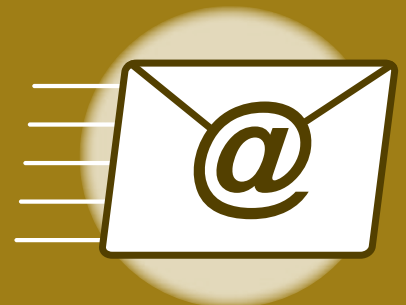


Call us during standard
Western Australian business hours on

(08) 6253 3000

to place order by phone.

EMAIL



Email your order to

orders@jpwmarine.com.au



JPW MARINE

AUSTRALIA'S LEADING BOATING AND MARINE WHOLESALER

OUTBOARD, FUEL FITTINGS, TANKS & ACCESSORIES 08

OUTBOARD ACCESSORIES

Manual Sump Pump.....	140
Motor Flushers.....	139
Motor Lock.....	140
Motor Trolley.....	140
Outboard Motor Brackets.....	141
Outboard Motor Wedges.....	140
Outboard Tiller Extensions.....	141
Spark Plugs.....	142

JERRY CANS PETROL / DIESEL / WATER

Jerry Cans & Accessories.....	128 - 129
-------------------------------	-----------

PUMPS & SIPHONS

MaxFlo Universal Siphon Pump.....	129
Siphon.....	129

FUEL TANKS

Above Deck Permanent Fuel Tanks.....	133
Above Deck Portable Fuel Tanks.....	129 - 131
Below Deck Permanent Fuel Tanks.....	133 - 134
Fuel Sender & Gauge Kit.....	132 - 138
Stainless Steel Fuel Tanks.....	133

FUEL LINES, CONNECTORS & FUEL FILTERS

Fluid/Oil Extractor.....	140
Fuel Filters.....	138 - 139
Fuel Hose.....	135
Fuel Lines.....	135
Hose Barbs & Connections.....	138
Primer Bulbs.....	135
Tank & Engine Connectors.....	136 - 138



Marine Jerry Can with Rear Vent 

Virtually indestructible fuel cans made from high-density polyethylene plastic. Also rustproof, crush-resistant and non-corroding.

- Cap with inner sealing cap, and flexible self-venting spout.
- Extra rear vent for increased flow rate and extra-large handle for easy pouring.
- Fully approved with the AS2906 Australian standards approval stamped on each can.



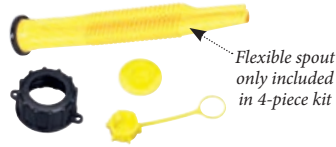
Child-resistant closure cap (CRC)



Part No.	Capacity (L)	Dimensions (mm) (L x W x H)
JPW2139	5	195 x 200 x 220
JPW2140	10	240 x 170 x 360

Replacement Part Kits

Part No.	Kit Contains
JPW2154	4-piece kit
JPW2155	3-piece kit



Flexible spout only included in 4-piece kit

Jerry Can - Diesel



Made from high-density, unbreakable polyethylene. Rustproof, crush-resistant and non-corroding.

- Extra large handle for easy pouring.
- Wide body to ensure stability.
- Cap with inner sealing cap and flexible self-venting spout.
- Fully approved and has the AS2906 Australian standards approval stamped on each can.



Child-resistant closure cap (CRC)



Part No.	Capacity (L)	Dimensions (mm) (L x W x H)
JPW2121	20	355 x 240 x 370

Replacement Part Kits

Part No.	Kit Contains
JPW2154	4-piece kit
JPW2155	3-piece kit



Flexible spout only included in 4-piece kit

Marine Jerry Cans



These plastic jerry cans are fully approved and have the AS2906 Australian standards approval stamped into each can.

- Made from high-density, unbreakable polyethylene.
- Rustproof, crush-resistant, non-corroding.
- Flexible self-venting spout with inner sealing cap.
- Extra large handle for easy pouring
- Red colour suitable for petrol.
- Wide body to ensure stability.



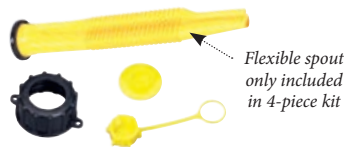
Part No.	Capacity (L)	Dimensions (mm) (L x W x H)
JPW2122	5	215 x 255 x 250
JPW2123	10	285 x 195 x 300
JPW2124	20	355 x 240 x 370
JPW2125	25	355 x 240 x 430

Child-resistant closure cap (CRC)



Replacement Part Kits

Part No.	Kit Contains
JPW2154	4-piece kit
JPW2155	3-piece kit



Flexible spout only included in 4-piece kit

Marine Jerry Cans - Military Style 

Made from virtually indestructible high-density, lightweight, polyethylene plastic that is rustproof, crush-resistant and non-corroding.

- Cap with inner sealing cap, and flexible self-venting spout.
- Fully approved with the AS2906 Australian standards approval stamped on each can.
- Extra rear vent for increase flow rate and extra-large handle for easy pouring.

Child-resistant closure cap (CRC)



Part No.	Colour	Type	Capacity (L)	Dimensions (mm) (L x W x H)
JPW2126	Red	Petrol	20	330 x 180 x 470
JPW2127	Yellow	Diesel	20	330 x 180 x 470
JPW2129	Blue	Water	20	330 x 180 x 470

Replacement Part Kits

Part No.	Kit Contains
JPW2154	4-piece kit
JPW2155	3-piece kit



Flexible spout only included in 4-piece kit

Replacement Jerry Can Parts



3-piece Kit



Part No.
JPW2155

4-piece Kit

Same as 3-piece kit above but with flexible spout included.



Part No.
JPW2154

Stop Flow Spout



This stop flow spout allows you to see the fuel level while pouring. Simply push to flow, lift to stop and turn to lock... No spills or mess!



Part No.
JPW2156

Flo 'n' Go MaxFlo Universal Siphon Pump

This pump allows for easy hassle-free fuel transfer, and is ideal for larger applications (lawn tractors, boat engines, jet skis, ATVs, snowmobiles, farm equipment, pressure washers and light commercial equipment).

- Can be used for siphoning petrol, diesel, ethanol & water.
- Includes 2x rubber cones to fit most neck openings.
- Fits most brands of plastic jerry cans.
- Completely drains fuel from tank with no messy funnels, spills or splashing.
- 1.9m of flexible fuel resistant reinforced hose.
- Flow rate of over 7.5L p/min.
- Hand-held nozzle for easy control.
- Child safety lock included.



Part No.
JPW2149

Siphon Jiggler

This easy to use siphon jiggler can be used for the boat, car, industrial and around the home. To start the flow of liquid, simply move the hose up and down in a vertical position.

- The hose is anti-static and petrol resistant.



Part No.	Dia (mm)	Length (m)
JPW1708	12.5	1.5
JPW1709	20	2


Duramax Portable Refueling Kit

The Duramax fluid transfer siphon pump and patented Flo 'n' Go hand pump provide the only refilling and fluid transfer system you'll ever need. With environmentally responsible features, stopping accidental spills and overfilling, providing safer transfer for you and the ecosystem.

- Composed of a durable, high-density polyethylene in vibrant red for use with petrol, diesel or kerosene fuels.
- Comes complete with a patented Flo 'n' Go hand pump and pump-holder handle.
- Spiral hose overlap prevents kinking.
- Includes a bolt-on hanger for convenient hose storage.
- Quickly refuels, using a UL approved, mechanically vented fill cap.
- Fluid transfer on level surface with minimal priming.
- Ergonomically designed, heavy-duty top handle with extra deep unit handhold for transport.
- Recessed grooves provide nuisance-free strapping location for safer transport.
- Dual mechanical shut-off valves, at both tank and hose, for spill-proof Flo 'n' Go disconnection.
- Meets D.O.T & UN transportation requirements.



Part No.	Hose Length (m)	Wheel Size (mm)	Capacity (L)	Dimensions (mm) (L x W x H)
JPW2150	3.05	152	53	400 x 320 x 850

Fuel Tanks Portable - Topside 

Easterner brand universal portable fuel tanks. Meet ISO13591 International standards. These tanks are made from strong polyethylene plastic that won't chip, crack or rust. Includes a pickup tube and threaded tank fitting that suits standard fuel tank fittings.

- **Not to be used with diesel or ethanol blended fuel.**



JPW2254

JPW2253N

Part No.	Capacity (L)	Dimensions (mm) (L x W x H)
JPW2253N	22.7	590 x 290 x 230
JPW2254	11	350 x 255 x 235

Replacement parts



JPW2541
Cap & Gauge Combo

JPW2251
Fuel Pick-Up Elbow

Neptune Fuel Tank 

Made from tough, lightweight, non-corrosive high density polyethylene that won't crack, chip or corrode. These tanks are easy to carry and stow. Supplied with a vented fuel cap and universal 1/4" NPT fuel pick-up/ adaptor.

- Suitable to carry petrol, diesel and ethanol blended fuel.
- Meets ABYC standards.
- ISO & CSA certified.



JPW2131

JPW2132

Part No.	Capacity (L)	Dimensions (mm) (L x W x H)
JPW2131	11.4	430 x 266 x 203
JPW2132	22.7	520 x 330 x 255

Replacement parts



JPW2600
Vent Cap

JPW2162 and JPW2163
Fuel Pick-Up Elbow

Fuel Tanks Portable 12L 

High quality marine grade fuel tank, fully approved to AS2906 Australian standards. This tank is made from tough, lightweight, non-rusting, high density polyethylene. It is easy to carry and easy to stow, safe and sturdy. Supplied with a vented fuel cap and universal 1/4" NPT fuel pick-up/ adaptor or vented cap gauge.

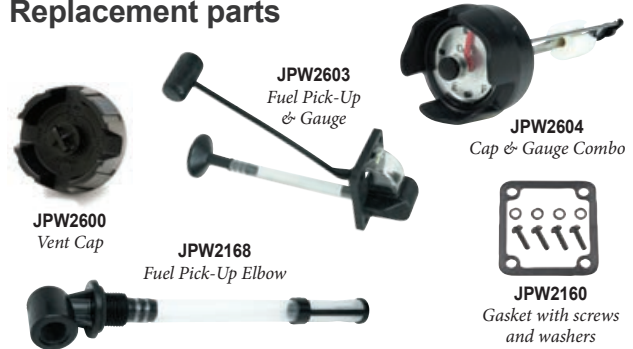
This tank is also suitable to carry petrol, diesel and ethanol blended fuel.

- Meets ABYC standards.
- ISO & CSA certified.



Part No.	Type	Capacity (L)	Dimensions (mm) (L x W x H)
JPW2133	Tank with Cap Only	12	362 x 260 x 228
JPW2135	Tank with Cap & Gauge	12	362 x 260 x 228

Replacement parts

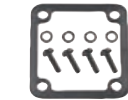


JPW2600
Vent Cap

JPW2168
Fuel Pick-Up Elbow

JPW2603
Fuel Pick-Up & Gauge

JPW2604
Cap & Gauge Combo



JPW2160
Gasket with screws and washers

Fuel Tanks Portable 25L 

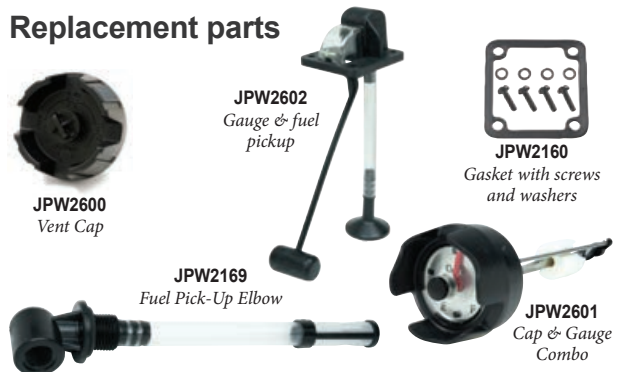
High quality marine grade fuel tank, fully approved to AS2906 Australian standards. Made from tough, lightweight, non-rusting, high density polyethylene and is easy to carry, stow, safe and sturdy.

- Supplied with a vented fuel cap and fuel pick-up/filter assembly, or vented cap gauge.
- Suitable to carry petrol, diesel & ethanol blended fuel.



Part No.	Type	Capacity (L)	Dimensions (mm) (L x W x H)
JPW2134	Tank with Cap Only	25	546 x 355 x 225
JPW2136	Tank with Cap & Gauge	25	546 x 355 x 225

Replacement parts



JPW2600
Vent Cap

JPW2169
Fuel Pick-Up Elbow

JPW2602
Gauge & fuel pickup

JPW2160
Gasket with screws and washers

JPW2601
Cap & Gauge Combo

Fuel Tank 34L - Above Deck



Quality injected moulded fuel tank made from high-density polyethylene with UV stabilised resin. Includes a vented fuel cap and an easy-to-read level gauge.

- Suitable to carry petrol, diesel and ethanol blended fuels.

Low Profile



Part No.	Size
JPW2141	34L

Replacement parts



Above Deck Fuel Tanks



These OEM Choice tanks offer the same quality standards demanded by leading OEMs worldwide.

- UV-stabilised, cross-linked polyethylene.
- Angled back corners & moulded-in bottom pads.
- Multi-directional pickup assembly.
- Cap with mechanical fuel gauge.
- Moulded-in inserts allow for secure mounting options.



Add 94mm to 'C' measurement for Overall Height Inc. Cap & Fill Spout



Part No.	Size	Colour	Dimensions		
			(A) (mm)	(B) (mm)	(C) (mm)
JPW2310	61L	Red	762	457	216
JPW2311	76L	Red	762	457	267
JPW2312	91L	White	762	457	315

Fuel Tank 45L - Above Deck

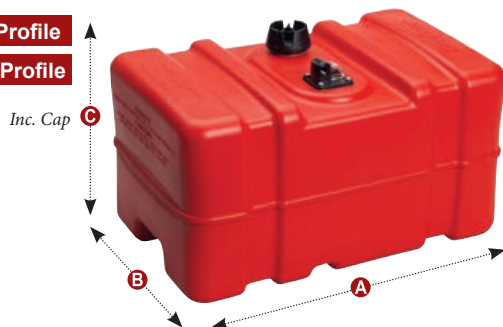


These quality fuel tanks, both low and high profile, are injected moulded and made from high-density polyethylene with UV stabilised resin.

- Includes a vented fuel cap and an easy-to-read level gauge.
- Suitable to carry petrol, diesel and ethanol blended fuels.

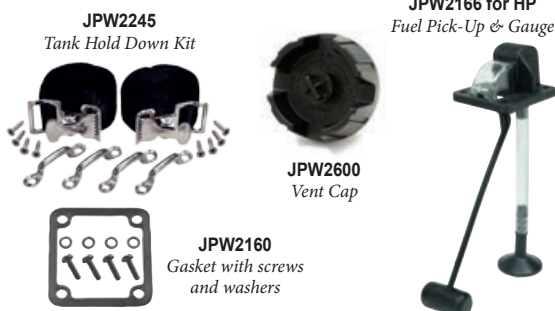
Low Profile

High Profile



Part No.	Type	Dimensions		
		(A) (mm)	(B) (mm)	(C) (mm)
JPW2142	High Profile	582	364	346
JPW2143	Low Profile	617	460	273

Replacement parts



Fuel Pick-Up & Gauge Assembly



Includes flange gasket, screws & washers.

Part No.	Suits Tank Size
JPW2164	34L
JPW2165	45L Low Profile
JPW2166	45L High Profile
JPW2603	12L
JPW2602	25L



Cap & Gauge Combo



Cap & gauge with breather vent to suit the Scepter range of fuel tanks.

Part No.	Description
JPW2601	Suits 25L tank
JPW2604	Suits 12L tank

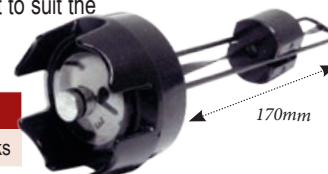


Cap & Gauge Combo



Cap & gauge with breather vent to suit the Easterner 22.7 & 12L fuel tanks.

Part No.	Description
JPW2541	Suits 12 & 22.7L tanks



Tie Down Kit for Fuel Tanks & Battery Boxes



Includes all the accessories required to firmly secure a top-side fuel tank or large marine battery in place.

- 2x 1.8mtr universal nylon straps with quick-release buckles
- 2x eye hooks and four screws
- 2x mounting blocks
- Stainless steel self-tapper fasteners



Part No.
JPW2245

Fuel Level Gauge



12V - dropping resistor included for 24V applications.

- Black dial and plastic bezel.
- 52mm diameter.



Part No.	Resistance (Ohm)	Range
JPW2580	240 - 30	E-F
JPW2582	0 - 190	E-F

Tank Level Sender - Flanged



Magnetic read switch senders are suitable for use in both fuel and water applications.

- SAE 5 hole flange mount
- Available in both (US 240-30 Ohms) and (Euro 0-190 Ohms) standard.



Part No.	Resistance 240-30 Ohms	
	Model	Tank Depth
JPW2542	S5-A150	150mm
JPW2543	S5-A175	175mm
JPW2544	S5-A200	200mm
JPW2545	S5-A225	225mm
JPW2546	S5-A250	250mm
JPW2547	S5-A275	275mm
JPW2548	S5-A300	300mm
JPW2549	S5-A350	350mm
JPW2550	S5-A400	400mm
JPW2551	S5-A450	450mm
JPW2552	S5-A500	500mm
JPW2553	S5-A550	550mm
JPW2560	S5-A600	600mm
JPW2567	S5-A650	650mm
JPW2568	S5-A700	700mm

Part No.	Resistance 0-190 Ohms	
	Model	Tank Depth
JPW2619	S5-E150	150mm
JPW2620	S5-E175	175mm
JPW2621	S5-E200	200mm
JPW2622	S5-E225	225mm
JPW2623	S5-E250	250mm
JPW2624	S5-E275	275mm
JPW2625	S5-E300	300mm
JPW2626	S5-E350	350mm
JPW2627	S5-E400	400mm
JPW2633	S5-E450	450mm
JPW2634	S5-E500	500mm

Replacement Parts

JPW2474
Replacement gasket to suit S5 senders



Longer Senders available on request. Length is measured from the underside of the flange to the base of the shaft.

Tank Level Sender - Threaded



Wema magnetic read switch senders are suitable for use in both fuel and water applications. This version is the thread mounted type.

- Available in both (US 240-30 Ohms) and (Euro 0-190 Ohms) standard.



Part No.	Resistance 240-30 Ohms	
	Model	Tank Depth
JPW2606	S3-A150	150mm
JPW2607	S3-A175	175mm
JPW2608	S3-A200	200mm
JPW2609	S3-A225	225mm
JPW2610	S3-A250	250mm
JPW2611	S3-A275	275mm
JPW2612	S3-A300	300mm
JPW2613	S3-A350	350mm
JPW2614	S3-A400	400mm
JPW2615	S3-A450	450mm
JPW2616	S3-A500	500mm

Part No.	Resistance 0-190 Ohms	
	Model	Tank Depth
JPW2637	S3-E150	150mm
JPW2638	S3-E175	175mm
JPW2639	S3-E200	200mm
JPW2640	S3-E225	225mm
JPW2641	S3-E250	250mm
JPW2642	S3-E275	275mm
JPW2643	S3-E300	300mm
JPW2644	S3-E350	350mm
JPW2645	S3-E400	400mm
JPW2646	S3-E450	450mm
JPW2647	S3-E500	500mm

Longer Senders available on request.

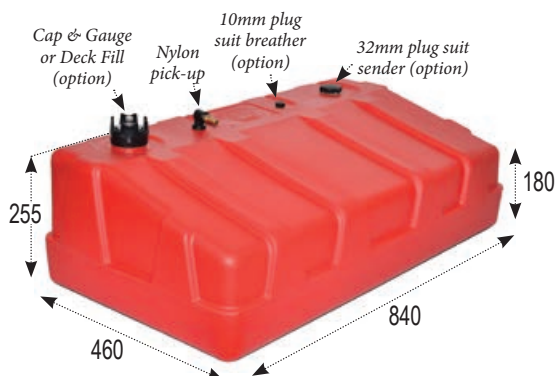
For full range of tank level adaptors see Section 13, page 244

Fuel Tanks - New Era

High quality 100% Australian made constructed from roto moulded Low-density polyethylene (LDPE) fuel tanks.

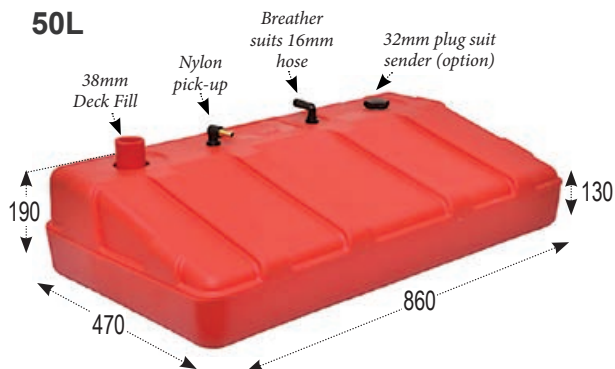
- Suitable for carrying petrol fuel only.

75L



Part No.	Tank Type	Overall Height	Capacity
JPW2289	75L with Cap & Gauge	305mm	75L
JPW2290	75L with 38mm Deck Fill	300mm	75L
JPW2293	75L with 50mm Deck Fill	300mm	75L

50L



Part No.	Tank Type	Overall Height	Capacity
JPW2291	50L with 38mm Deck Fill	230mm	50L

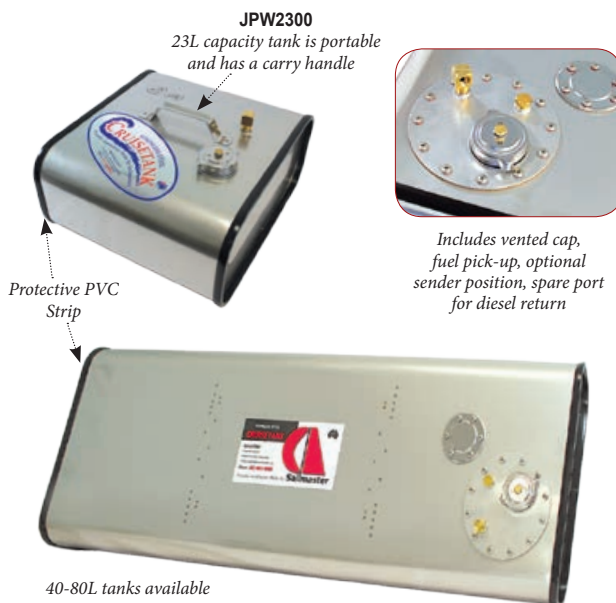


Stainless Steel Fuel Tanks



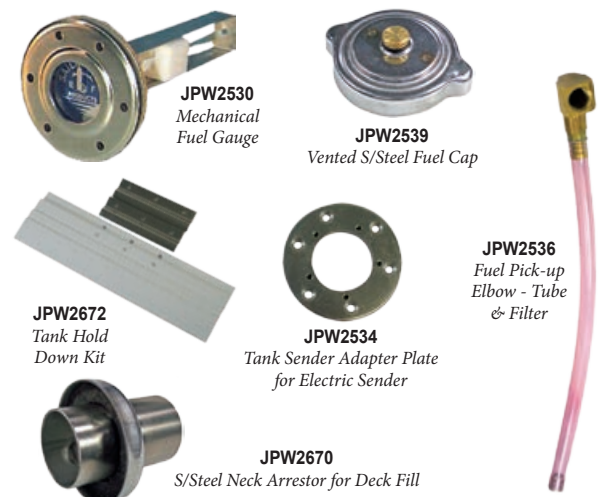
These heavy duty stainless steel fuel tanks from Sailmaster are 100% manufactured in Australia. They won't rust or corrode and are suitable for permanent mounting under the deck. PVC protective strip is fitted to the tanks edges.

- Each tanks are fitted complete with petrol cap with breather vent, brass fuel pickup & plug.
- The 23L tanks are portable and incorporates a carry handle.
- Suitable for use with petrol or diesel fuel with the addition of a return line.
- Won't rust or mark the boat's gelcoat.
- Provision for a fuel gauge (sold separately)
- Provision for a electric 5 hole flanged fuel sender (sold separately)
- Provision for deck filling using JPW2670 neck arrestor.



Part No.	Capacity (L)	Dimensions - incl. PVC Protective Strip (mm) (L x W x H)	Total Height incl. Fuel Pick-up (mm)
JPW2300	23	410 x 365 x 190	225
JPW2302	40	606 x 414 x 190	225
JPW2303	50	755 x 414 x 190	225
JPW2307	60	896 x 414 x 190	225
JPW2305	70	1023 x 414 x 190	225
JPW2306	80	1186 x 414 x 190	225

Optional additions and replacement parts

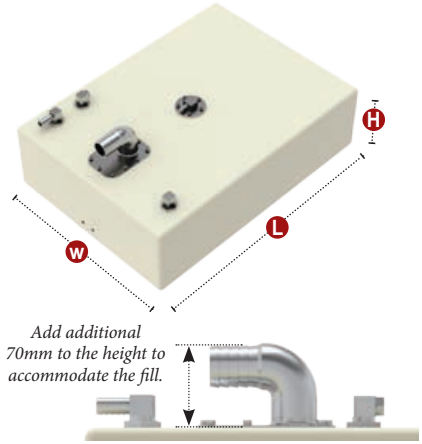




Permanent Below Deck Fuel Tanks

Scepter's brand new range of below deck tanks for boat manufactured pre-EPA regulations (2011) from 45L to 166L has been designed from the ground up. With Ameri-Kart's patented NOMAD fill system, as well as a diesel return line installed, aluminium fuel withdraw, and vent fittings molded directly into the shell plus a reed style sending unit for the ultimate in OEM quality. They also include convenient hold down bolt inserts moulded directly into the tank shell.

How to Measure Our Tanks

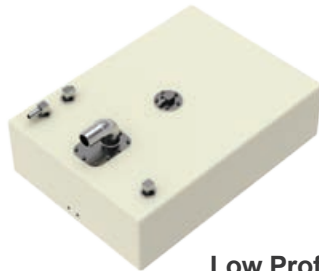


- Meets E15 requirements.
- Made from ultra tough cross-linked polyethylene plastic
- Patented 'NOMAD' fill system technology.
- Diesel return line pre-installed.
- 240 - 330ohms OEM quality reed style sending unit
- Hold down bolt inserts moulded directly into each tank shell
- Conforms to all ABYC, NMMA and U.S.C.G. Coast Guard regulations

'NOMAD' fill'

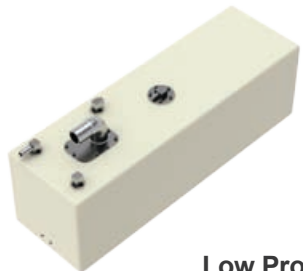


- More rugged and durable than plastic fills
- Right angled and parallel to top of the tank for lower profile installation



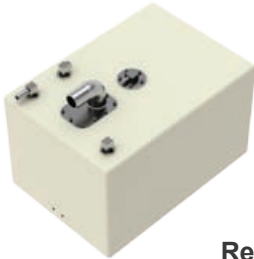
Low Profile

Part No.	Size	Dimensions (L x W x H)
JPW2320	45L	635 x 457 x 178mm
JPW2321	68L	635 x 457 x 254mm



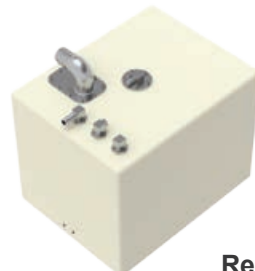
Low Profile

Part No.	Size	Dimensions (L x W x H)
JPW2324	49L	508 x 355 x 305mm
JPW2325	68L	508 x 356 x 407mm



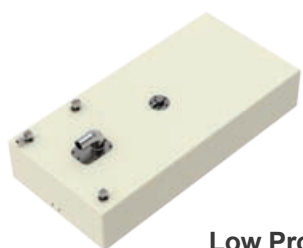
Rectangle

Part No.	Size	Dimensions (L x W x H)
JPW2324	49L	508 x 355 x 305mm
JPW2325	68L	508 x 356 x 407mm



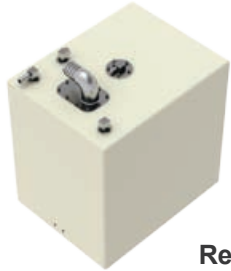
Rectangle

Part No.	Size	Dimensions (L x W x H)
JPW2326	53L	457 x 356 x 356mm



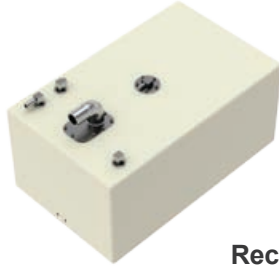
Low Profile

Part No.	Size	Dimensions (L x W x H)
JPW2327	68L	940 x 458 x 178mm



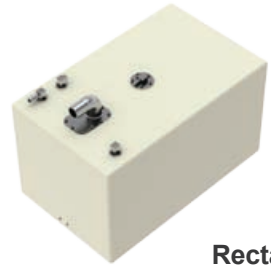
Rectangle

Part No.	Size	Dimensions (L x W x H)
JPW2328	68L	458 x 356 x 458mm



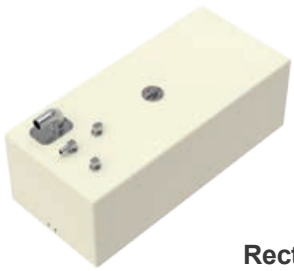
Rectangle

Part No.	Size	Dimensions (L x W x H)
JPW2329	75L	661 x 407 x 305mm



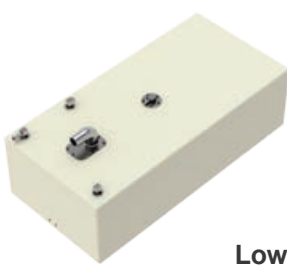
Rectangle

Part No.	Size	Dimensions (L x W x H)
JPW2330	94L	661 x 407 x 381mm



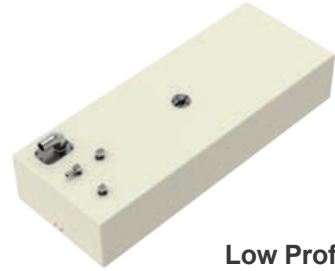
Rectangle

Part No.	Size	Dimensions (L x W x H)
JPW2331	102L	889 x 407 x 305mm
JPW2332	136L	889 x 407 x 407mm



Low Profile

Part No.	Size	Dimensions (L x W x H)
JPW2333	109L	940 x 458 x 280mm



Low Profile

Part No.	Size	Dimensions (L x W x H)
JPW2334	113L	1194 x 458 x 229mm
JPW2335	166L	1194 x 458 x 330mm

Fuel Lines 5/16" - Bag Packed

Made from reinforced grey 5/16" (8mm) hose with black primer bulb. Suits OMC, Mercury & Yamaha motors.



Part No.	Motor Brand
JPW2401	Universal - No Fittings - 5/16" Hose
JPW2403	OMC (Johnson/Evinrude) Fittings - 5/16" Hose
JPW2407	Yamaha Fittings - 5/16" Hose

Fuel Lines 3/8" - Blister Packed

Made from reinforced grey 3/8" (10mm) hose with black primer bulb. Suits OMC, Mercury, Honda & Yamaha motors.



Part No.	Motor Brand
JPW2404	Honda Fittings - 3/8" Hose
JPW2406	Mercury Mariner 1998-current - 3/8" Hose
JPW2408	Yamaha Fittings - 3/8" Hose
JPW2409	Universal - No Fittings - 3/8" Hose
JPW2410	OMC (Johnson/Evinrude) Fittings - 3/8" Hose

Outboard Fuel Hose

Reinforced fuel hose suitable for outboard fuel lines and portable or above deck mounted tanks.

Note: Not for below deck use as permanent fuel line.



For full range of fuel hose see Section 14, page 249

Part No.	Inside Dia	Roll Length
JPW2501	8mm (5/16")	20m
JPW2502	10mm (3/8")	20m

Fuel Line Assembly - 3/8"

- Petrol and solvent-resistant construction with stainless steel clamps.
- O-Ring construction on all fittings ensures tight, leak-free connections.
- Tough, pliable UV-resistant outer hose 203cm length.
- The primer bulb prevents fuel flow back with internal check valve.
- Provides fittings built to strict OEM specifications for replacement parts.



Part No.	Motor Brand
JPW2171	Mercury Mariner Fittings 1998-current - 3/8" Hose
JPW2173	Universal - No Fittings - 3/8" Hose
JPW2174	OMC (Johnson/Evinrude) Fittings - 3/8" Hose
JPW2177	Yamaha Fittings - 3/8" Hose
JPW2179	Universal - No Fittings - 5/16" Hose

Premium Primer Bulbs

UV resistant with stainless steel clamps and dual internal check valves to ensure rapid prime while preventing fuel flow back. Suitable to use with petrol, diesel and ethanol blended fuel.



Part No.	Suits Hose Size
JPW2183	3/8" (10mm)
JPW2184	5/16" (8mm)
JPW2185	1/4" (6.5mm)



Primer Bulb 3/8" - Australian Made

Highest quality 100% Australian Made single direction primer bulb. UV stabilised high flow black rubber compound bulb to suit 3/8" (10mm) fuel line.



Part No.	Suits Hose Size
JPW2414	3/8" (10mm)

Primer Bulbs

Black single direction UV stabilised fuel primer bulb. Not recommended for use with diesel or ethanol blended fuel.



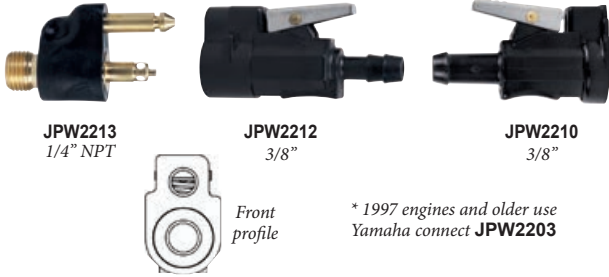
Part No.	Bulb Size	Suits Hose Size
JPW2411	Small	5/16" (8mm)
JPW2413	Large	3/8" (10mm)
JPW2415	Large	5/16" (8mm)



Mercury Connectors



These tank & fuel line connectors are manufactured to suit Mercury branded engines. To suit new style motors from 1998- current.



JPW2213
1/4" NPT

JPW2212
3/8"

JPW2210
3/8"

Front profile

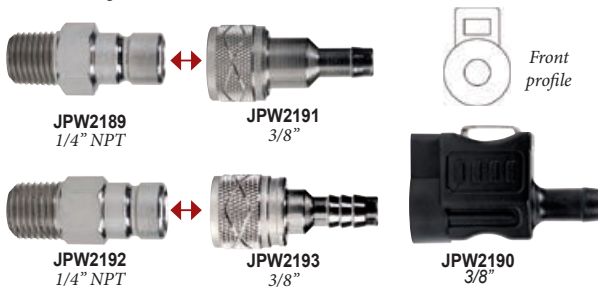
* 1997 engines and older use Yamaha connect JPW2203

Part No.	Connector Description
JPW2210	Female Engine Connect - 10mm Hose. 1998 & Newer Engines*. Engine End
JPW2212	Female Fuel Line Connect - 10mm Hose. 1998 & Newer Engines. Tank End
JPW2213	Male Tank Fitting 1998 & Newer Engines - NPT Thread

Honda Connectors



These tank & fuel line connectors are manufactured to suit Honda branded engines.



JPW2189
1/4" NPT

JPW2191
3/8"

Front profile

JPW2192
1/4" NPT

JPW2193
3/8"

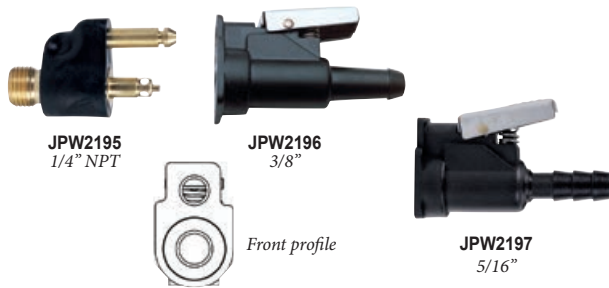
JPW2190
3/8"

Part No.	Connector Description
JPW2189	Male Tank Fitting 1991 & Newer Engines - NPT Thread
JPW2190	Quick Connect Engine End 2001 & Newer to Suit 10mm Hose
JPW2191	Female Tank Connect 1991 & Newer Engines - 10mm Hose
JPW2192	Male Tank Fitting - NPT Thread
JPW2193	Female Tank Connect - 10mm Hose

BRP Johnson/Evinrude Connectors



Tank & fuel line connectors are manufactured to suit Johnson/Evinrude (BRP) branded engines.



JPW2195
1/4" NPT

JPW2196
3/8"

Front profile

JPW2197
5/16"

Part No.	Connector Description
JPW2195	Male Tank Fitting - NPT Thread
JPW2196	Female Fuel Line Connect - 10mm Hose
JPW2197	Female Fuel Line Connect - 8mm Hose

Yamaha Connectors



These tank & fuel line connectors are manufactured to suit Yamaha branded engines.



JPW2201
1/4" NPT

JPW2202
5/16"

JPW2203
3/8"

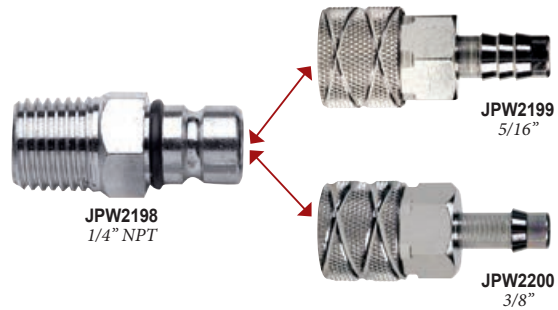
Front profile

Part No.	Connector Description
JPW2201	Male Tank Fitting - NPT Thread
JPW2202	Female Fuel Line Connect - 8mm Hose
JPW2203	Female Fuel Line Connect - 10mm Hose

Chrysler/Force Connectors



These tank & fuel line connectors are manufactured to suit Chrysler Force brand engines.



JPW2198
1/4" NPT

JPW2199
5/16"

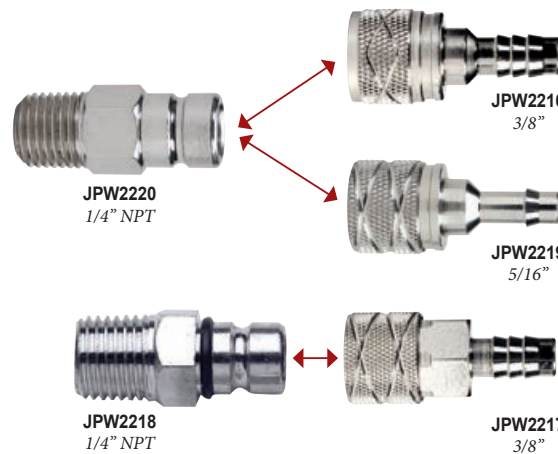
JPW2200
3/8"

Part No.	Connector Description
JPW2198	Male Tank Fitting - NPT Thread
JPW2199	Female Fuel Line Connect - 8mm Hose
JPW2200	Female Fuel Line Connect - 10mm Hose

Suzuki Connectors



These tank & fuel line connectors are manufactured to suit Suzuki branded engines.



JPW2220
1/4" NPT

JPW2216
3/8"

JPW2219
5/16"

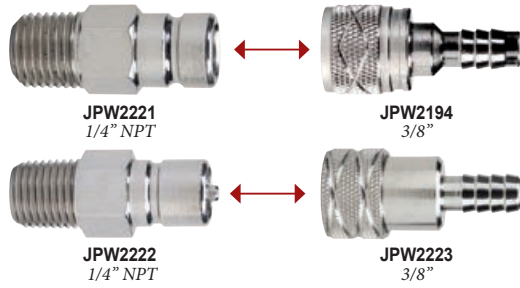
JPW2218
1/4" NPT

JPW2217
3/8"

Part No.	Connector Description	Engine Size (HP)
JPW2220	Male Tank Fitting - NPT Thread	Greater than >75
JPW2216	Female Fuel Line Connect - 10mm Hose	Greater than >75
JPW2217	Female Fuel Line Connect - 10mm Hose	Greater than >75
JPW2218	Male Tank Fitting - NPT Thread	Less than <75
JPW2219	Female Fuel Line Connect - 8mm Hose	Less than <75

Nissan/Tohatsu Connectors 

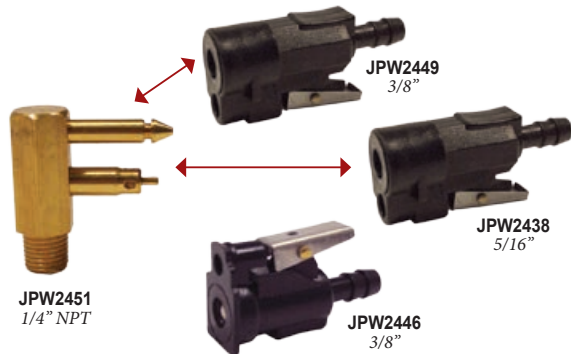
These tank & fuel line connectors manufactured to suit Nissan/Tohatsu branded engines.



Part No.	Connector Description	Engine Size (HP)
JPW2194	Female Fuel Line Connect - 10mm Hose	Less than <90
JPW2221	Male Tank Fitting - NPT Thread	Less than <90
JPW2222	Male Tank Fitting - NPT Thread	Greater than >90
JPW2223	Female Fuel Line Connect - 10mm Hose	Greater than >90

Mercury Connectors 

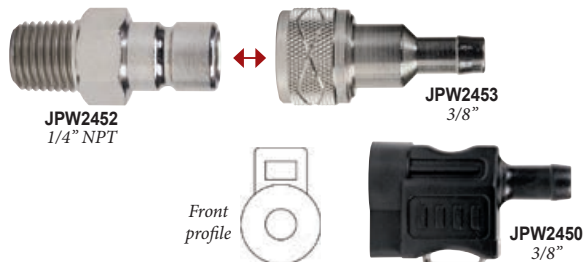
These tank & fuel line connectors are manufactured to suit Mercury branded engines. To suit new style motors from 1998 - current.



Part No.	Connector Description
JPW2451	Male Tank Fitting 98 & Newer - NPT Thread
JPW2449	Female Engine Connect - 10mm Hose. 1998 & Newer Engines. Tank End
JPW2438	Female Fuel Line Connect - 8mm Hose. Tank End
JPW2446	Female Engine/Tank Connect - 10mm Hose. Engine End

Honda Connectors 

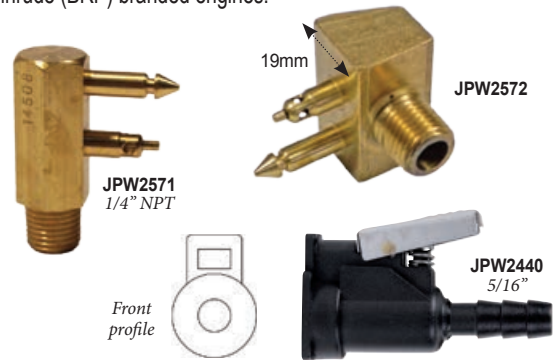
These tank & fuel line connectors are manufactured to suit Honda branded engines.



Part No.	Connector Description
JPW2452	Male Tank Fitting 91 & Newer - NPT Thread
JPW2453	Female Fuel Line Connect - 10mm Hose
JPW2450	Quick Connect - 10mm Hose. 2001 & Newer Engines. Engine End

BRP Johnson/Evinrude Connectors 

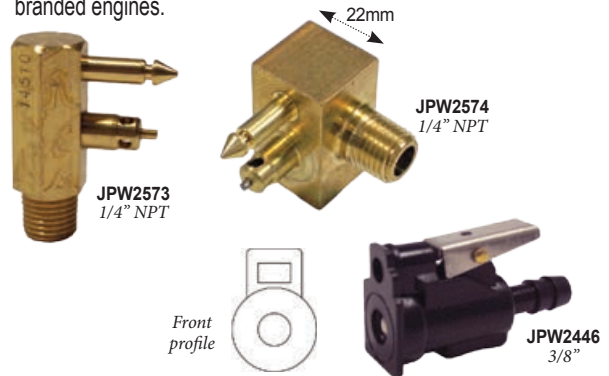
These tank & fuel line connectors are manufactured to suit Johnson/Evinrude (BRP) branded engines.



Part No.	Connector Description
JPW2571	Male Tank Fitting - NPT Thread
JPW2572	Male Tank Fitting Low Profile - NPT Thread
JPW2440	Female Engine/Tank Connect - 8mm Hose

Yamaha Connectors 

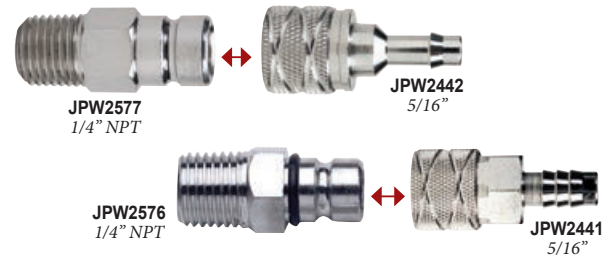
These tank & fuel line connectors are manufactured to suit Yamaha branded engines.



Part No.	Connector Description
JPW2573	Male Tank Fitting - NPT Thread
JPW2574	Male Tank Fitting Low Profile - NPT Thread
JPW2446	Female Engine/Tank Connect - 10mm Hose

Suzuki Connectors 

These tank & fuel line connectors are manufactured to suit Suzuki branded engines.

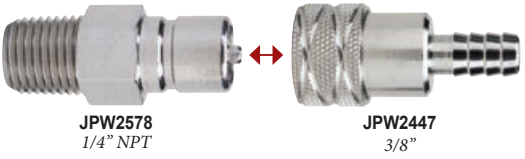


Part No.	Connector Description	Engine Size (HP)
JPW2577	Male Tank Fitting - NPT Thread	>75
JPW2442	Female Fuel Line Connect - 8mm Hose	>75
JPW2576	Male Tank Fitting - NPT Thread	<75
JPW2441	Female Fuel Line Connect - 8mm Hose	<75

Nissan/Tohatsu Connectors



Tank & fuel line connectors manufactured to suit Nissan/Tohatsu branded engines.



Part No.	Connector Description
JPW2578	Male Tank Fitting - NPT Thread
JPW2447	Female Fuel Line Connect - 10mm Hose

Mercury Engine & Tank Fittings



Bayonet fittings and connectors suit old style Mercury Mariner brand engines.



Part No.	Type
JPW2443	Tank Fitting 90° Elbow - NPT Thread
JPW2444	Fuel Line Connect - 8mm Hose. Tank End
JPW2445	Fuel Line Connect - 8mm Hose. Tank End
JPW2448	Tank Fitting - NPT Thread

Brass Hose Barbs - Male

NPT threaded brass connectors.



Brass Connections

NPT threaded cast brass connections.



Water Separating Fuel Filters



Complete water separating assembly filters, compatible with Mercury & Yamaha engines. Filters remove foreign particles as small as 10 microns from fuel. Fuel flow 60 gallons per hour. (3.75L / min). New drain valve on clear bowls, will never drip!



Part No.	Type	Replaces
JPW2652	Filter Element Only - Use with Removable Bowl. Mercury/Yamaha Thread Type	Merc #35-60494-1 Racor #S32013
JPW2654	Filter Element & Clear Bowl - Mercury/Yamaha Thread Type	Merc #35-60494-1 Racor #S32013
JPW2656	Filter Element Kit Alum. Head & Clear Bowl - Suits 2 & 4 Stroke Fuels but NOT Diesel	-
JPW2658	Filter Element Kit S/S. Head & Clear Bowl - Suits 2 & 4 Stroke Fuels but NOT Diesel	-

Replacement Parts



Yamaha Outboard Fuel/Water Separating Filter



Marine Water Separating Fuel Filter that replaces the Yamaha MAR-FUELF-IL-TR and Mercury #35-809097. Use with reusable bowl.
 • Fits Yamaha and Mercury fuel/water separator housings



Part No.
JPW2648

Water Separating Fuel Filters

Spin on filter elements removes 98.8% emulsified water and foreign particles as small as 10 microns. Will **Not** separate 2 stroke oil from fuel so is suitable for premixed 2 stroke fuel.

10 Micron Filtration



JPW2660
Filter & Alum.
Head Merc.



JPW2661
Filter & Alum.
Head OMC

Filter kits contains hose barb & plug fittings

JPW2662
Filter Only Merc.



JPW2663
Filter Only OMC

Part No.	Type	Replaces
JPW2660	Fuel Filter Head & Element Kit (Merc Type) Inc. 2x 3/8" NPT x 10mm Barb Brass Hose Tail	-
JPW2661	Fuel Filter Head & Element (OMC Type) Inc. 2x 3/8" NPT x 10mm Barb Brass Hose Tail	-
JPW2662	Fuel Filter Element Only (Merc Type)	Merc #35-807172 & 35-60494-1
JPW2663	Fuel Filter Element Only (OMC Type)	OMC #502905

Water Separating Fuel Filters - Replaces RACOR

Complete filter and water separating assembly filters. Filters remove foreign particles as small as 10 microns from fuel. Use with reusable bowl. New drain valve on clear bowls, will never drip!

10 Micron Filtration



JPW2685



JPW2686

Filter with anodised aluminium head & clear bowl kits

Filter kit contains aluminium hose fittings & S/S hose clamps.



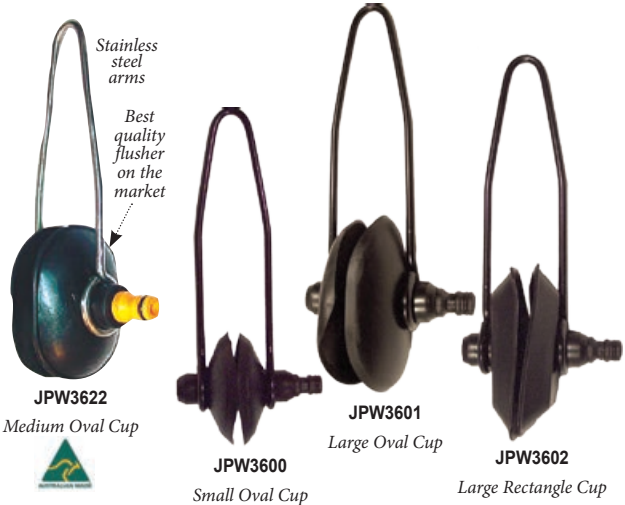
JPW2666
Anodised Aluminium Head

New drain valve will never drip!

Part No.	Type	Replaces
JPW2685	Fuel filter element only - w/ O-ring	RACOR #S3227
JPW2686	Fuel filter alum. head & element kit Inc. 2x 3/8" NPT x 10mm barb alum. hose tail	-
JPW2666	Replacement filter head cast Alum. 1" -14UNS	-

Outboard Motor Flushers

Outboard motor flushers with either black epoxy coated steel or stainless steel arm and quick connect hose tail suits standard Australian garden hose fittings. Four different cup sizes suits most outboard motors.



JPW3622
Medium Oval Cup

JPW3600
Small Oval Cup

JPW3601
Large Oval Cup

JPW3602
Large Rectangle Cup

Part No.	Arm Description	Cup Shape	Cup Dimensions (mm)
JPW3622	Stainless Steel	Medium Oval	110 x 82
JPW3600	Black Epoxy Coated Spring Steel	Small Round	85 Ø
JPW3601	Black Epoxy Coated Spring Steel	Large Oval	110 x 85
JPW3602	Black Epoxy Coated Spring Steel	Large Rectangle	122 x 83

Outboard Motor Flusher Twin Inlet

Twin intake universal large cup flusher

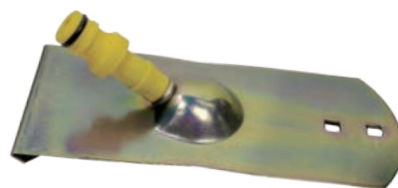
- Fitted with Australian standard hose fittings
- Suitable for most outboards and stern-drives with side water intakes



Part No.	Type	Dimensions (mm) (L x W)
JPW3603	Twin - Universal	125 x 83

Outboard Motor Flusher

Suits small Mercury or Mariner engines, clip on style.



Part No.	Suits Motor Type
JPW3617	Small Mercury Engines 6-15HP

Outboard Motor Flusher - Screw In

Designed to specifically to suit particular outboard models. Supplied with quick connect hose fittings. Do not run motor when flushing with screw in flush fittings.

JPW3615
Mercury



JPW3616
Mariner / Tohatsu
Honda



JPW3619
Suzuki



Part No.	Suits Motor Type
JPW3615	Mercury
JPW3616	Mariner / Tohatsu / Honda
JPW3619	Suzuki

Outboard Motor Flusher

Suits OMC & Tohatsu engines.
• Supplied with quick connect hose fittings.

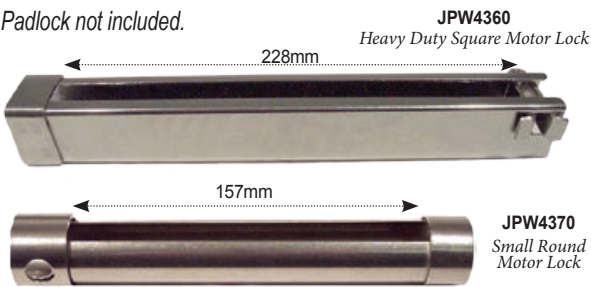


Part No.	Suits Motor Type
JPW3621	Tohatsu 8-9.8HP

Outboard Motor Lock

This heavy-duty stainless steel motor lock is designed to deter the theft of outboard motors. For use on portable outboards with thumb screws.

Padlock not included.



Fluid/Oil Extractor

Perfect for oil changes and removing excess fluid from hard to reach places. The powerful pump creates a vacuum, so continuous pumping isn't necessary.

- Easy to use, with foot brace.
- Ideal for motorbikes, cars, boats, jetski, garden machinery and non-volatile fluids, eg. from a fish tank.

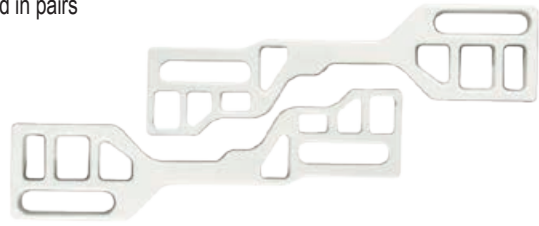


Part No.	Capacity (L)
JPW2692	4
JPW2693	6.5

Outboard Motor Wedges

White powder-coated aluminium alloy wedges, used to adjust the mounting angle of the outboard motor for increased performance.

- Sold in pairs



Part No.	Type
JPW4350	3° White Transom Wedges
JPW4351	5° White Transom Wedges

Manual Fluid Transfer Pump

Used for transferring engine sump oil through the engine dipstick. Brass pump body and nylon extraction tubing is easy to clean. Fits most engine dipsticks.



Part No.	Dimensions (mm)	
	Inlet Hose	Outlet Hose
JPW2690	8 x 600	12 x 240

Outboard Motor Trolley

This trolley features a plated steel frame with plastic end caps, soft rubber hand grips, and galvanised frame support arms. It also includes a large wooden support board.

- Supplied in kit form (flat packed).
- Suits standard 2-stroke motors.
- Quick and easy to assemble.
- 6" wheels.

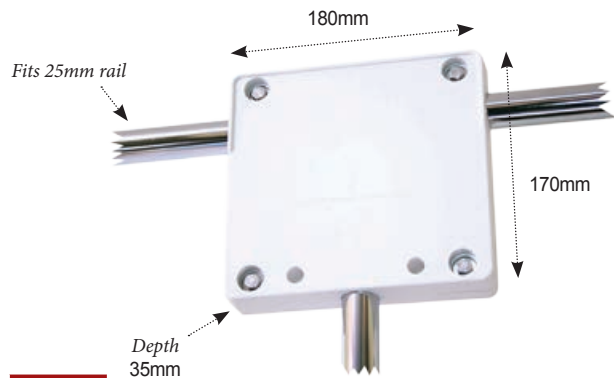


Part No.	Motor Power (HP)	Board Dimensions (mm) (L x W x H)
JPW6434	20	390 x 154 x 36
JPW6435	30	390 x 154 x 36

Outboard Rail Mount Bracket

Made from white polypropylene with a two-piece bracket bolted together.

- Bracket has two central holes to mount onto horizontal or vertical (25mm diameter) rails.
- Suits maximum 8hp outboard motors.

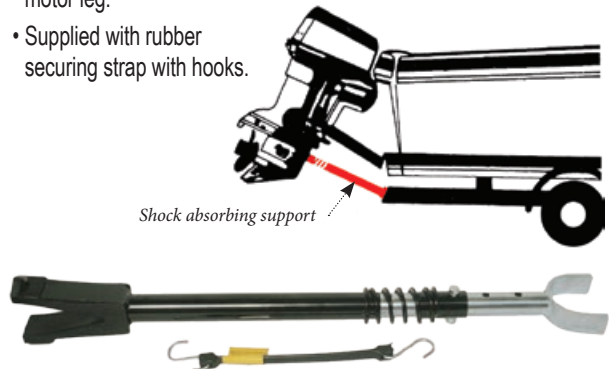


Part No.
JPW6437

Outboard Motor Support Bracket

Heavy gauge plated steel tubing with shock absorbing spring coil.

- EDC finish for rust resistance.
- U-end hooks over the trailer chassis and the V-end supports the motor leg.
- Supplied with rubber securing strap with hooks.



Part No.	Adjustable Length (mm)	Motor Power (HP)
JPW6438	510 - 770	Up to 150

Outboard Tiller Extensions

The outboard motor tiller extension is a handle that mounts easily over an existing motor throttle handle to allow the operator more room to move while operating. Handle attaches to the outboard motor throttle handle via a wing-nut locking collar.

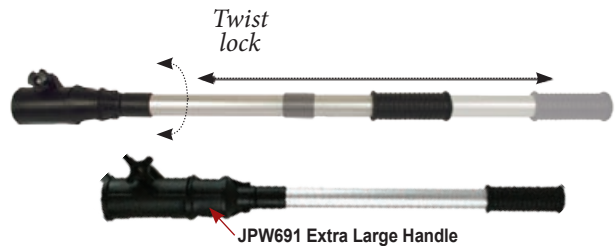
- Handles can be easily and quickly fitted to most outboard motors.

- Fixed



Part No.	Fixed Length (mm)
JPW685	470
JPW686	660
JPW688	1000

- Telescopic



Part No.	Telescopic (mm)	Suits Handle Size (mm)
JPW689	430 - 635	35 Ø
JPW690	610 - 1015	35 Ø
JPW691	665 - 1015	45 Ø

Outboard Motor Bracket

All Stainless Steel and adjustable auxiliary outboard motor bracket with mounting board.

- Ideal for outboards in 5-10hp range.
- Securely locks in either up or down position.
- Made from 316-grade stainless-steel frame and a thermo-plastic marine board.



Part No.	Type
JPW6440	5HP
JPW6441	10HP

Spark Plugs

NGK
SPARK PLUGS



Note: Other Spark Plugs available on request.

Part No.	Description	Box Quantity
NGK-B6HS	(B6HS) NGK Spark Plug	10
NGK-B6HS-10	(B6HS-10) NGK Spark Plug	10
NGK-B7HS	(B7HS) NGK Spark Plug	10
NGK-B7HS-10	(B7HS-10) NGK Spark Plug	10
NGK-B8HS-10	(B8HS-10) NGK Spark Plug	10
NGK-B9HS-10	(B9HS-10) NGK Spark Plug	10
NGK-BPR5ES	(BPR5ES) NGK Spark Plug	10
NGK-BPR7HS	(BPR7HS) NGK Spark Plug	10
NGK-BKR7EKU	(BKR7EKU) NGK Spark Plug	10
NGK-BKR6ES-11	(BKR6ES-11) NGK Spark Plug	10
NGK-BKR6E	(BKR6E) NGK Spark Plug	10
NGK-BKR6EKU	(BKR6EKU) NGK Spark Plug	10
NGK-BKR7ES-11	(BKR7ES-11) NGK Spark Plug	10
NGK-BP6HS	(BP6HS) NGK Spark Plug	10
NGK-BP6HS-10	(BP6HS-10) NGK Spark Plug	10
NGK-BP7HS-10	(BP7HS-10) NGK Spark Plug	10
NGK-BP8H-N-10	(BP8H-N-10) NGK Spark Plug	10
NGK-BP8HS-10	(BP8HS-10) NGK Spark Plug	10
NGK-BP8HS-15	(BP8HS-15) NGK Spark Plug	10
NGK-BPR6HS-10	(BPR6HS-10) NGK Spark Plug	10
NGK-BPR7HS-10	(BPR7HS-10) NGK Spark Plug	10
NGK-BPZ8HS-10	(BPZ8HS-10) NGK Spark Plug	10
NGK-BPZ8H-N-10	(BPZ8H-N-10) NGK Spark Plug	10
NGK-BR6HS	(BR6HS) NGK Spark Plug	10
NGK-BR7HS	(BR7HS) NGK Spark Plug	10
NGK-BR7HS-10	(BR7HS-10) NGK Spark Plug	10
NGK-BR8HS-10	(BR8HS-10) NGK Spark Plug	10
NGK-BR9HS	(BR9HS) NGK Spark Plug	10
NGK-BR9HS-10	(BR9HS-10) NGK Spark Plug	10
NGK-BUHW	(BUHW) NGK Spark Plug	10
NGK-BUHW-2	(BUHW-2) NGK Spark Plug	10
NGK-BUHX	(BUHX) NGK Spark Plug	10
NGK-BUZHW	(BUZHW) NGK Spark Plug	10
NGK-BU8H	(BU8H) NGK Spark Plug	10
NGK-CR4HSB	(CR4HSB) NGK Spark Plug	10
NGK-CR5HSB	(CR5HSB) NGK Spark Plug	10
NGK-DCPR6E	(DCPR6E) NGK Spark Plug	10
NGK-DPR6EA-9	(DPR6EA-9) NGK Spark Plug	10
NGK-DR5HS	(DR5HS) NGK Spark Plug	10
NGK-DR6HS	(DR6HS) NGK Spark Plug	10
NGK-DR7EA	(DR7EA) NGK Spark Plug	10
NGK-ILFR6G-E	(ILFR6G-E) NGK Spark Plug	4
NGK-IZFR5G	(IZFR5G) NGK Spark Plug	4
NGK-LFR5A-11	(LFR5A-11) NGK Spark Plug	10
NGK-LFR6A-11	(LFR6A-11) NGK Spark Plug	10
NGK-PZFR5F-11	(PZFR5F-11) NGK Spark Plug	4
NGK-ZFR7F	(ZFR7F) NGK Spark Plug	10

Part No.	Description	Box Quantity
NGK-DPR6EB-9	(DPR6EB-9) NGK Spark Plug	10
NGK-BPR5EFS-13	(BPR5EFS-13) NGK Spark Plug	10
NGK-IZFR5J	(IZFR5J) NGK Spark Plug	4
NGK-DPR5EA-9	(DPR5EA-9) NGK Spark Plug	10
NGK-BUZH-2	(BUZH-2) NGK Spark Plug	10
NGK-LKR7E	(LKR7E) NGK Spark Plug	10
NGK-LFR4A-E	(LFR4A-E) NGK Spark Plug	10
NGK-DR7EB	(DR7EB) NGK Spark Plug	10
NGK-CR5EH-9	(CR5EH-9) NGK Spark Plug	10
NGK-BR6HS-10	(BR6HS-10) NGK Spark Plug	10
NGK-BR8HCS-10	(BR8HCS-10) NGK Spark Plug	10
NGK-BUH	(BUH) NGK Spark Plug	10
NGK-B6S	(B6S) NGK Spark Plug	10
NGK-B7S	(B7S) NGK Spark Plug	10
NGK-B8S	(B8S) NGK Spark Plug	10
NGK-BP5HS	(BP5HS) NGK Spark Plug	10
NGK-BP7HS	(BP7HS) NGK Spark Plug	10
NGK-BP8ES	(BP8ES) NGK Spark Plug	10
NGK-BUHXW-1	(BUHXW-1) NGK Spark Plug	10
NGK-BZ7HS-10	(BZ7HS-10) NGK Spark Plug	10
NGK-BR6ES	(BR6ES) NGK Spark Plug	10
NGK-BUZ8H	(BUZ8H) NGK Spark Plug	10
NGK-BPR6EFS	(BPR6EFS) NGK Spark Plug	10
NGK-BPR6ES	(BPR6ES) NGK Spark Plug	10
NGK-BPR6FS	(BPR6FS) NGK Spark Plug	10
NGK-BR6FS	(BR6FS) NGK Spark Plug	10
NGK-TR55IX	(TR55IX) NGK Spark Plug	4
NGK-BUHXW1	(BUHXW1) NGK Spark Plug	10
NGK-B7ES	(B7ES) NGK Spark Plug	10
NGK-B8HS	(B8HS) NGK Spark Plug	10
NGK-BP6S	(BP6S) NGK Spark Plug	10
NGK-BR7ES	(BR7ES) NGK Spark Plug	10
NGK-BR8ES	(BR8ES) NGK Spark Plug	10
NGK-BR8HS	(BR8HS) NGK Spark Plug	10
NGK-CR9EB	(CR9EB) NGK Spark Plug	10
NGK-PZFR6H	(PZFR6H) NGK Spark Plug	4
NGK-DCPR8E	(DCPR8E) NGK Spark Plug	10
NGK-CR9EK	(CR9EK) NGK Spark Plug	10
NGK-PMR9B	(PMR9B) NGK Spark Plug	4
NGK-BR8ES-11	(BR8ES-11) NGK Spark Plug	10
NGK-BR9ES	(BR9ES) NGK Spark Plug	10

RIGGING & HARDWARE 09

HARDWARE

Copper Swages	146
Hand Aluminium & Copper Swages	146
Stainless Steel Fasteners	144 - 145
Wire Rope Clamp	146
Wire Rope Cutter	146
Wire Rope Swage Tools	146

SHACKLES

Galvanised & S/S	146 - 147
------------------------	-----------

SWIVELS

Anchor Swivels	148
Swivel Shackles & Snap Shackles	148 - 149

HOOKS

'S' Hooks	150
Snap Hooks	149 - 150

RIGGING ACCESSORIES

Dee Rings	151
Eye Bolts	150
Eye Pads	152
Eye Plates / Saddles	151
Round Rings	151
Shockcord Hooks	152
Thimbles	152
Turnbuckles	150
U Bolts	150



AQUAPAC Stainless Steel FASTENERS

Marine 304-grade stainless-steel fasteners sold in convenient small pre packed quantities for retail sale or workshop use. Packaged in hanging display self-serve packs.

To order use manufacturer's Part No. beginning with 91 eg: 910010 = 1/4 x 1" Hex Head Bolt.

Hex Head Bolt



Part No.	Dia (in)	Length		Qty.
		(mm)	(in)	
910010	1/4	25	1	4
910011	1/4	38	1 1/2	4
910012	1/4	51	2	2
910013	1/4	64	2 1/2	2
910014	1/4	76	3	2
910019	5/16	25	1	4
910020	5/16	38	1 1/2	2
910021	5/16	51	2	2
910022	5/16	64	2 1/2	2
910023	5/16	76	3	2
910030	3/8	38	1 1/2	2
910031	3/8	51	2	2
910032	3/8	64	2 1/2	2
910033	3/8	76	3	2

Round Head Screws - Metal Thread



Part No.	Dia (in)	Length		Qty.
		(mm)	(in)	
910040	3/16	19	3/4	8
910040	3/16	25	1	6
910042	3/16	38	1 1/2	6
910043	3/16	51	2	4
910044	3/16	64	2 1/2	2
910045	3/16	76	3	2
910050	1/4	19	3/4	6
910051	1/4	25	1	6
910052	1/4	38	1 1/2	4
910053	1/4	51	2	2
910054	1/4	64	2 1/2	2
910055	1/4	76	3	2

Countersunk Screws - Metal Thread



Part No.	Dia (in)	Length		Qty.
		(mm)	(in)	
910060	3/16	19	3/4	8
910061	3/16	25	1	6
910062	3/16	38	1 1/2	6
910063	3/16	51	2	4
910064	3/16	64	2 1/2	2
910065	3/16	76	3	2
910070	1/4	19	3/4	6
910071	1/4	25	1	6
910072	1/4	38	1 1/2	4
910073	1/4	51	2	2
910074	1/4	64	2 1/2	2
910075	1/4	76	3	2

Countersunk Screws - Metal Thread, Nut & Washer



Part No.	Dia (in)	Length		Qty.
		(mm)	(in)	
910066	3/16	25	1	4
910067	3/16	38	1 1/2	4
910068	3/16	51	2	4
910076	1/4	25	1	4
910077	1/4	38	1/2	4
910078	1/4	51	2	2

Round Head Screws - Metal Thread, Nut & Washer



Part No.	Dia (in)	Length		Qty.
		(mm)	(in)	
910046	3/16	25	1	4
910047	3/16	38	1 1/2	4
910048	3/16	51	2	4
910056	1/4	25	1	4
910057	1/4	38	1 1/2	4
910058	1/4	51	2	2

Pan Head Screws - Self Tapper



Part No.	Dia (gauge)	Length		Qty.
		(mm)	(in)	
910080	6	13	1/2	15
910081	6	19	3/4	15
910082	6	25	1	15
910083	6	32	1 1/4	10
910084	6	38	1 1/2	10
910085	8	13	1/2	15
910086	8	19	3/4	15
910087	8	25	1	12
910088	8	32	1 1/4	10
910089	8	38	1 1/2	8
910090	10	13	1/2	12
910091	10	19	3/4	12
910092	10	25	1	10
910093	10	32	1 1/4	8
910094	10	38	1 1/2	8
910095	12	19	3/4	6
910096	12	25	1	6
910097	12	32	1 1/4	6
910098	12	38	1 1/2	4
910099	12	51	2	4

Wing Nuts



Part No.	Type	Size (in)	Qty.
910150	UNC	3/16	2
910151	UNC	1/4	2
910152	UNC	5/16	2
910153	UNC	3/8	1

Dome Nuts



Part No.	Type	Size (in)	Qty.
910155	UNC	3/16	2
910156	UNC	1/4	2
910157	UNC	5/16	2
910158	UNC	3/8	2

Countersunk Screws - Self Tapper 

Part No.	Dia (gauge)	Length		Qty.
		(mm)	(in)	
910105	6	13	1/2	15
910106	6	19	3/4	15
910107	6	25	1	15
910108	6	32	1 1/4	10
910109	6	38	1 1/2	10
910110	8	13	1/2	15
910111	8	19	3/4	15
910112	8	25	1	12
910113	8	32	1 1/4	10
910114	8	38	1 1/2	8
910115	10	13	1/2	12
910116	10	19	3/4	12
910117	10	25	1	10
910118	10	32	1 1/4	8
910119	10	38	1 1/2	8
910120	12	13	3/4	6
910121	12	25	1	6
910122	12	32	1 1/4	6
910123	12	38	1 1/2	4
910124	12	51	2	4

Hex Nuts 

Part No.	Type	Size (in)	Qty.
910140	BSW	3/16	12
910141	UNC	1/4	10
910142	UNC	5/16	6
910143	UNC	3/8	4

Nyloc Nuts 

Part No.	Type	Size (in)	Qty.
910130	BSW	3/16	8
910131	UNC	1/4	6
910132	UNC	5/16	4
910133	UNC	3/8	2

Cup Washers 

Part No.	Inside Diametre		Qty.
	(gauge)	(mm)	
910185	6	3.5	10
910186	8	4.2	10
910187	10	4.8	6
910188	12	5.5	6

Spring Washers 

Part No.	Diametre		Qty.
	(mm)	(in)	
910180	4.8	3/16	20
910181	6.4	1/4	15
910182	7.9	5/16	10
910183	9.5	3/8	8

Washer - Small OD 

Part No.	Diametre (in)		Qty.
	Inside	Outside	
910160	3/16	7/16	20
910161	1/4	1/2	15
910162	5/16	3/4	15
910163	3/8	3/4	10

Washer - Large OD 

Part No.	Diametre (in)		Qty.
	Inside	Outside	
910165	3/16	3/4	15
910166	1/4	3/4	12
910167	5/16	3/4	10
910168	3/8	1	8

Stay Put Fastener 
Quantity of 2

Part No.	Type	Colour
916520	Single Horizontal	White
916521	Single Horizontal	Black
916522	Double Horizontal	White
916524	Single Vertical	White
916525	Single Vertical	Black
916526	Double Vertical	White

Rivets - Aluminium 

Part No.	Size	Qty.
911642	4 - 2	15
911644	4 - 4	15
911645	4 - 5	15
911646	4 - 6	15
911652	5 - 2	15
911654	5 - 4	12
911656	5 - 6	12
911664	6 - 4	12
911666	6 - 6	10
911668	6 - 8	8

Rivets - Stainless Steel 

Part No.	Size	Qty.
911742	4 - 2	10
911743	4 - 3	10
911744	4 - 4	10
911752	5 - 2	8
911754	5 - 4	8
911756	5 - 6	6
911764	6 - 4	5
911766	6 - 6	4
911768	6 - 8	4

Split Pins 

Part No.	Dia. (mm)	Length (mm)	Qty.
910220	2	20	8
910221	2.5	20	6
910222	2.5	25	6
910223	2.5	32	4
910224	3.2	20	4
910225	3.2	25	4
910226	3.2	32	4
910227	3.2	40	4
910228	4	25	3
910229	4	32	2
910230	4	40	2

Wire Rope Cutter

Australian-made from high tensile steel specially treated and suitable for cutting wire rope.



Part No.	Type
JPW10020	Heavy Duty
JPW10030	Standard

Wire Rope Swage Tools

Australian-made quality, designed for use with wire rope.



Part No.	Type	Swage Size (mm)		
JPW9960	Large 1 Hole	6.4		
JPW9900	Small 3 in 1	1.6/2	2.4	3.2
JPW9940	Large 3 in 1	2.4	3.2	4
JPW9920	2 in 1	4	4.8	

Wire Rope Swage Replacement Jaws

Australian-made quality, designed for use with wire rope.

Part No.	Replacement Part
JPW9970	Large 1 Hole (JPW9960)
JPW9910	Small 3 in 1 (JPW9900)
JPW9950	Large 3 in 1 (JPW9940)
JPW9930	2 in 1 (JPW9920)



Wire Rope Clamp - Stainless Steel

Wire rope grips in a range of sizes to suit wire rope diameter from 2mm up to 8mm.

Part No.	Size (mm)
JPW4829	2
JPW4830	3
JPW4832	5
JPW4833	6
JPW4834	8



Copper Swages

Dolphin brand copper swages suitable for wire swaging in either hand tools.

Part No.	Size (mm)
JPW10050	1.5
JPW10060	2
JPW10070	3
JPW10080	3.5
JPW10090	4
JPW10100	5
JPW10105	6
JPW10110	6.5



Copper Swages Synthetic Rope & Shock Cord

Dolphin brand copper swages.

Part No.	Size (mm)
JPW10180	4.0
JPW10190	6.0
JPW10200	8.0
JPW10210	10
JPW10220	12



Hand Aluminium Swages for Wire Rope

Dolphin brand aluminium swages.

Part No.	Size (mm)
JPW10230	2.4
JPW10240	3.2
JPW10250	4.0
JPW10260	4.8
JPW10270	6.4



Hand Copper Swages for Wire Rope

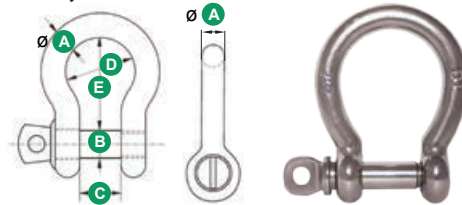
Dolphin brand swages are Australian-made high quality.

Part No.	Size (mm)
JPW10120	1.6
JPW10130	2.4
JPW10140	3.2
JPW10150	4.0
JPW10160	4.8
JPW10170	6.4



Bow Shackles - Stainless Steel

316-grade stainless steel bow shackles. Screw collar pin drilled with hole for security tie wire.

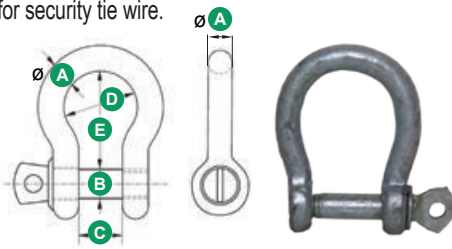


Part No.	Dimensions (mm)				
	øA	B	C	D	E
JPW4882	5	5	10	15	19
JPW4883	6	6	12	18	24
JPW4884	8	8	16	24	32
JPW4885	10	10	22	30	39
JPW4886	12	12	25	38	48
JPW4887	16	16	32	56	64
JPW4888	20	20	38	66	76
JPW4889	25	25	50	87	100

Please Note: Not rated for lifting or pulling.

Bow Shackles - Galvanised

Galvanised bow shackles for general applications. Screw collar pin drilled with hole for security tie wire.

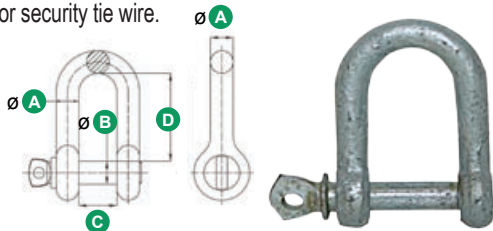


Part No.	Dimensions (mm)				
	øA	B	C	D	E
JPW592	6	6	14	19	25
JPW592B	As above (Bag of 200)				
JPW593	8	8	16	24	32
JPW593B	As above (Bag of 200)				
JPW594	10	10	20	29	39
JPW594B	As above (Bag of 200)				
JPW595	12	12	25	35	46
JPW595B	As above (Bag of 100)				
JPW596	14	14	27	43	60
JPW596B	As above (Bag of 100)				
JPW597	16	16	29	47	65
JPW598	20	20	35	58	76
JPW599	25	25	46	77	104

Please Note: Not rated for lifting or pulling.

'D' Shackles - Galvanised

Galvanised 'D' shackles for general applications. Screw collar pin drilled with hole for security tie wire.

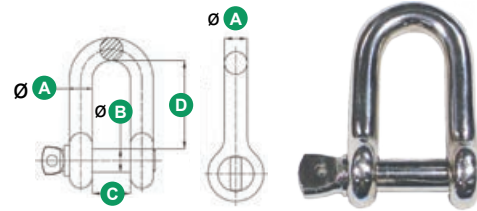


Part No.	Dimensions (mm)			
	øA	øB	C	D
JPW550	5	5	10	19
JPW550B	As above (Bag of 200)			
JPW551	6	6	13	25
JPW551B	As above (Bag of 200)			
JPW552	8	8	18	32
JPW552B	As above (Bag of 200)			
JPW553	10	10	19	37
JPW553B	As above (Bag of 200)			
JPW554	12	12	26	47
JPW554B	As above (Bag of 100)			
JPW555	16	16	30	61
JPW555B	As above (Bag of 100)			
JPW556	20	20	38	80
JPW556B	As above (Bag of 100)			
JPW557	25	25	49	94
JPW557B	As above (Bag of 100)			

Please Note: Not rated for lifting or pulling.

'D' Shackles - Stainless Steel

316-grade stainless steel. Solid round standard screw pin.

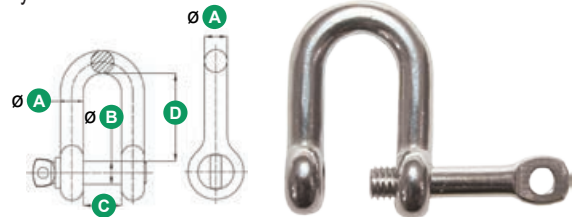


Part No.	Dimensions (mm)			
	øA	øB	C	D
JPW4872	5	5	10	18
JPW4873	6	6	11	24
JPW4874	8	8	17	33
JPW4875	10	10	20	40
JPW4876	12	12	23	48
JPW4877	16	16	34	64
JPW4878	20	20	40	76

Please Note: Not rated for lifting or pulling.

Captive Pin 'D' Shackles - Stainless Steel

316-grade stainless steel with a special captive pin that can't fall out or be fully removed.

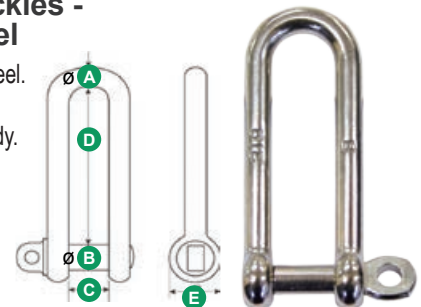


Part No.	Dimensions (mm)			
	øA	øB	C	D
JPW4890	5	10	18	11
JPW4891	6	13	24	14
JPW4892	8	17	26	16
JPW4893	10	21	36	20

Please Note: Not rated for lifting or pulling.

Long 'D' Shackles - Stainless Steel

316-grade stainless steel. Solid round standard screw pin and long body.



Part No.	Dimensions (mm)			
	øA	øB	C	D
JPW4840	6	6	12	48
JPW4841	8	8	16	64
JPW4842	10	10	20	80
JPW4843	12	12	24	96

Please Note: Not rated for lifting or pulling.

Multi-Purpose Shackle Key

Eight functions including flat screwdriver, 8, 10 & 13mm spanner, shackle key and bottle opener. Made from 2.3mm thick, 316-grade stainless steel plate.

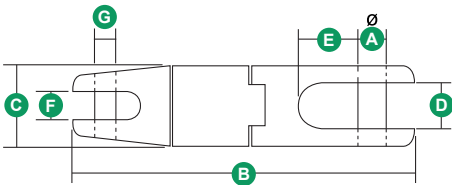
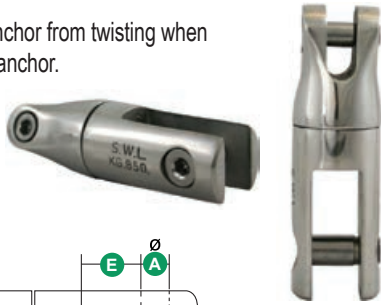
Part No.
JPW4970



Single Anchor Swivels Connector - Stainless Steel

Single swivel anchor to chain connectors made from 316-grade stainless steel.

- Prevents chain and anchor from twisting when setting and retrieving anchor.
- Slides over bow rollers for easy retrieval.



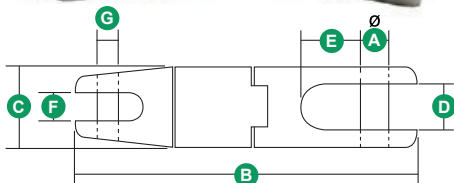
Part No.	Type; Chain Size (mm)	Dimensions (mm)						S.W.L.* (kg)	
		∅A	B	C	D	E	F		G
JPW4921	Single; 6-8	9	90	27	15	23	9	9	850
JPW4922	Single; 8-10	11	114	35	20	30	13	11	1350

* S.W.L (safe working load) is approx 25% of breaking load.

Double Anchor Swivels Connector - Stainless Steel

Double swivel anchor to chain connectors made from 316-grade stainless steel.

- Prevents chain and anchor twisting when setting or retrieving anchor.

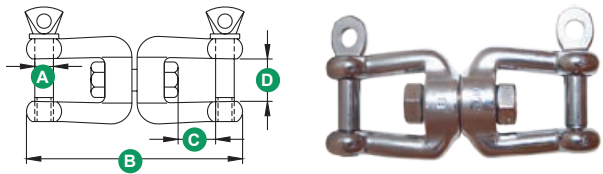


Part No.	Type; Chain Size (mm)	Dimensions (mm)						S.W.L.* (kg)	
		∅A	B	C	D	E	F		G
JPW4926	Double; 6-8	9	133	28	16	21	9	7	850
JPW4927	Double; 10-12	11	168	38	18	28	12.5	11	1350

* S.W.L (safe working load) is approx 25% of breaking load.

Jaw & Jaw Swivel Shackle - Stainless Steel

316-grade stainless steel with pin at each end for easy connection.

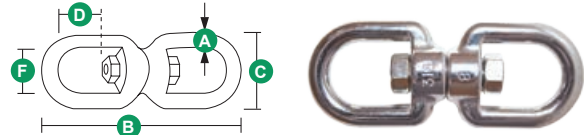


Part No.	Dimensions (mm)				S.W.L.* (kg)
	A	B	C	D	
JPW4936	6	66	11	12	300
JPW4937	8	94	16	16	500
JPW4938	10	118	22	20	875
JPW4939	13	152	28	26	1250

* S.W.L (safe working load) is approx 25% of breaking load.

Eye & Eye Swivel - Stainless Steel

Eye & Eye heavy duty swivel, made from 316-grade stainless steel.

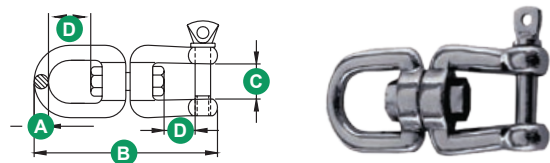


Part No.	Dimensions (mm)					S.W.L.* (kg)
	A	B	C	E	F	
JPW4958	6	65	21	15	15	335
JPW4959	8	90	35	22	20	500
JPW4960	10	115	44	27	24	875

* S.W.L (safe working load) is approx 25% of breaking load.

Eye & Jaw Swivel Shackle - Stainless Steel

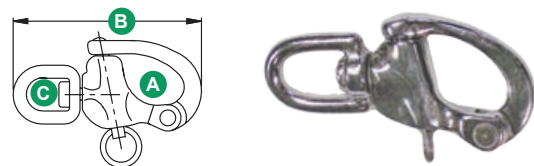
Eye & Jaw swivel shackle, made from 316-grade stainless steel.



Part No.	Dimensions (mm)			
	A	B	C	D
JPW4962	6	66	11	12
JPW4963	8	94	16	16
JPW4964	10	118	22	20

Eye Swivel Snap Shackle - Stainless Steel

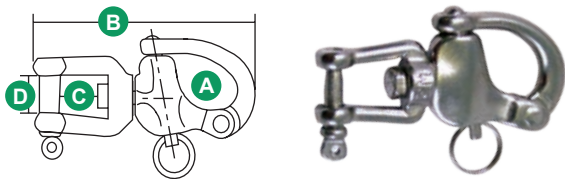
Eye swivel snap shackle, made from 316-grade stainless steel.



Part No.	Dimensions (mm)		
	A	B	C
JPW4915	12	70	12
JPW4916	16	87	16
JPW4917	22	128	22

Jaw Swivel Snap Shackle - Stainless Steel

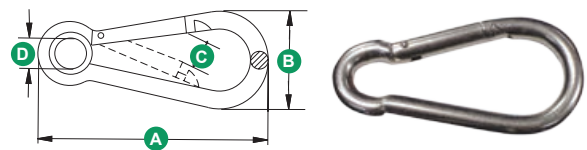
Jaw swivel snap shackle, made from 316-grade stainless steel.



Part No.	Dimensions (mm)			
	A	B	C	D
JPW4918	16	70	12	9
JPW4919	22	87	13	11

Snap Hook without Eye - Stainless Steel

316-grade stainless steel spring snap hook with open eye.

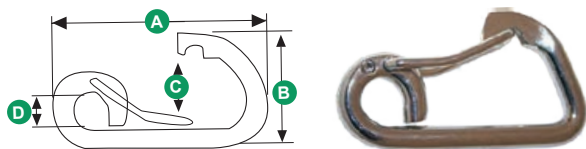


Part No.	Dimensions (mm)					S.W.L.* (kg)
	Dia	A	B	C	D	
JPW4901	5	50	25	7	9	100
JPW4902	6	60	30	8	10	125
JPW4903	8	80	35	10	13	175
JPW4904	10	100	50	13	17	220
JPW4905	12	120	58	16	18	320
JPW4906	12	140	67	23	22	380

* S.W.L. (safe working load) is approx 25% of breaking load.

Asymmetric Snap Hook - Stainless Steel

Asymmetric snap hook made from 316-grade stainless steel.

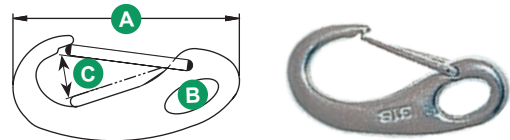


Part No.	Dimensions (mm)					S.W.L.* (kg)
	Dia	A	B	C	D	
JPW4941	6	60	35	11	9	188
JPW4942	8	80	46	18	11	440
JPW4943	10	100	58	22	15	575
JPW4944	12	120	70	26	18	910

* S.W.L. (safe working load) is approx 25% of breaking load.

Cast Snap Hook - Stainless Steel

Cast 316-grade stainless steel. Streamlined design for snag-free operation.

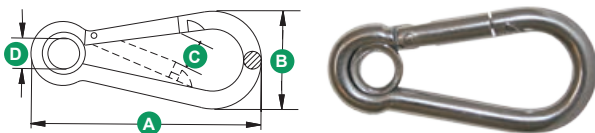


Part No.	Dimensions (mm)			S.W.L.* (kg)
	A	B	C	
JPW4947	50	8	10	80
JPW4948	70	12	11	150
JPW4949	100	16	16	250

* S.W.L. (safe working load) is approx 25% of breaking load.

Snap Hook with Eye - Stainless Steel

316-grade stainless steel spring snap hook with a ferrule rope eye fixed into the formed eye.

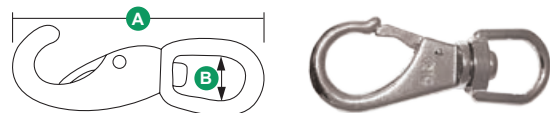


Part No.	Dimensions (mm)					S.W.L.* (kg)
	Dia	A	B	C	D	
JPW4950	5	50	25	7	6	100
JPW4951	6	60	30	8	7	125
JPW4952	7	70	35	9	9	175
JPW4953	8	80	39	10	10	220
JPW4954	10	100	50	13	13	290
JPW4955	11	120	58	18	15	320
JPW4956	12	140	65	21	19	380

* S.W.L. (safe working load) is approx 25% of breaking load.

Swivel Eye Snap Hooks - Stainless Steel

Swivel eye spring snap hook, made from cast 316-grade stainless steel.

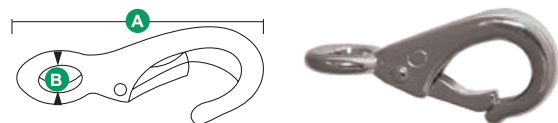


Part No.	Dimensions (mm)		S.W.L.* (kg)
	A	B	
JPW19240	85	18	50
JPW19241	100	20	75
JPW19242	120	20	90

* S.W.L. (safe working load) is approx 25% of breaking load.

Fixed Eye Snap Hooks - Stainless Steel

Fixed eye spring snap hook, made from cast 316-grade stainless steel.



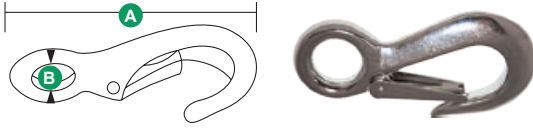
Part No.	Dimensions (mm)		S.W.L.* (kg)
	A	B	
JPW19235	55	10	50
JPW19236	70	16	100
JPW19237	80	20	150

* S.W.L. (safe working load) is approx 25% of breaking load.

Cargo Trailer Hooks - Stainless Steel

Cast 316-grade stainless steel with safety latch spring opening.

- Suits light duty lifting or a trailer winch snap hook.

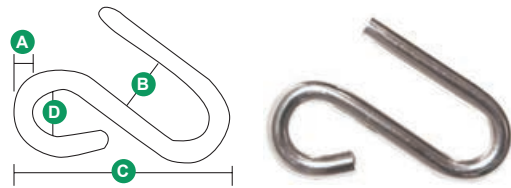


Part No.	Dimensions (mm)			S.W.L* (kg)
	A	Gap	B	
JPW19245	100	20	21	188
JPW19246	120	22	28	250

* S.W.L (safe working load) is approx 25% of breaking load.

S Hook - Stainless Steel

'S' Hooks made from 304-grade polished stainless steel.

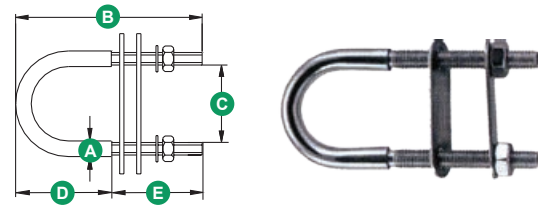


Part No.	Dimensions (mm)				S.W.L* (kg)
	A	B	C	D	
JPW4801	6	11	60	12	50
JPW4802	8	16	75	16	100
JPW4803	10	18	87	18	163

* S.W.L (safe working load) is approx 25% of breaking load.

U Bolts - Stainless Steel

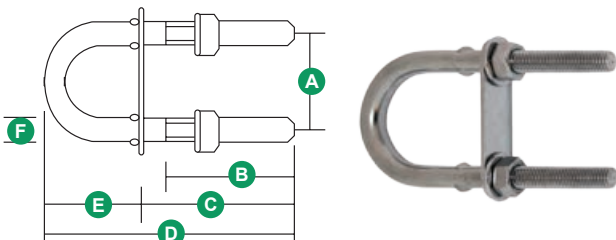
304-grade stainless steel 'U' bolts with 2 cross plates and hex nuts.



Part No.	Dimensions (mm)				
	A	B	C	D	E
JPW4856	8	90	35	35	55
JPW4857	10	100	45	48	52
JPW4858	12	115	50	35	80
JPW4859	14	150	60	55	85

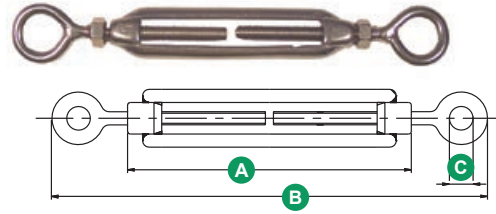
U Bolts - Stainless Steel

316-grade stainless steel 'U' bolts with crimped shaft and metric thread. Supplied with 2 x cross plates, 2 washers and 2 hex nuts.



Eye & Eye Turnbuckle - Stainless Steel

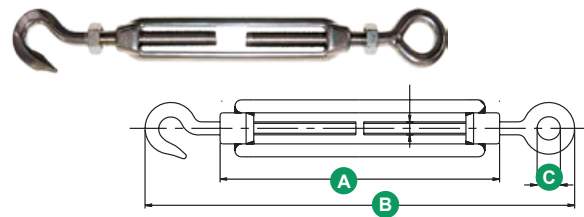
316-grade stainless steel open body Eye to Eye turnbuckles with lock nuts.



Part No.	Dimensions (mm)			
	Thread	A	B	C
JPW4853	8	90	180	12
JPW4854	10	120	210	12
JPW4855	12	125	220	18

Eye & Hook Turnbuckle - Stainless Steel

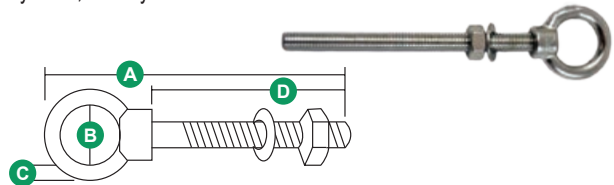
316-grade stainless steel. Metric thread with lock nuts.



Part No.	Dimensions (mm)			
	Thread	A	B	C
JPW4850	8	125	200	11
JPW4851	10	150	245	15
JPW4852	12	200	320	19

Collared Head Eye Bolts - Stainless Steel

Cast 316-grade stainless steel with heavy duty cast eye. Use as a lifting eye bolt, bow eye etc. With metric thread.

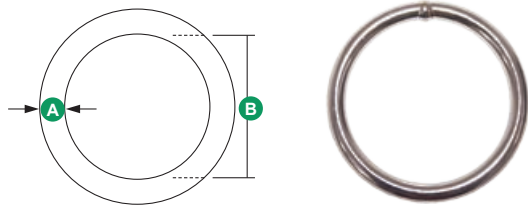


Part No.	Dimensions (mm)				
	Thread	A	B	C	D
JPW4896	6	110	16	5	60
JPW4897	8	135	19	6	100
JPW4898	10	140	25	7	100

Part No.	Dimensions (mm)					
	Thread	A	B	C	D	E
JPW4864	6	35	40	45	80	30
JPW4865	8	35	40	45	80	35
JPW4866	8	35	48	60	100	40
JPW4867	10	53	55	75	130	55
JPW4868	12	60	60	75	150	75

Round Rings - Stainless Steel

Round rings made from 316-grade stainless steel.

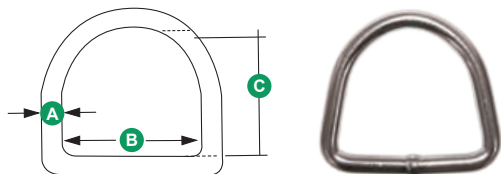


Part No.	Dimensions (mm)		S.W.L.* (kg)
	A	B	
JPW19214	4	25	240
JPW19215	5	40	450
JPW19216	6	40	650
JPW19217	6	50	650
JPW19218	8	50	1100
JPW19219	8	75	1100
JPW19220	10	100	1800
JPW19221	12	120	2400

* S.W.L. (safe working load) is approx 25% of breaking load.

Dee Rings - Stainless Steel

Dee rings made from 316-grade stainless steel.



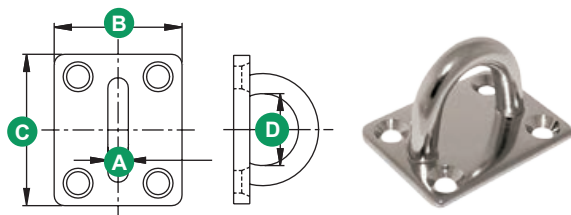
Part No.	Dimensions (mm)			S.W.L.* (kg)
	A	B	C	
JPW19224	4	25	22	200
JPW19225	5	25	22	250
JPW19226	6	40	35	450
JPW19227	6	50	43	450
JPW19228	8	50	43	700

* S.W.L. (safe working load) is approx 25% of breaking load.

Rectangle Eye Plates - Stainless Steel

316-grade stainless steel with welded eye.

• 4 x 5mm countersunk fastening holes.

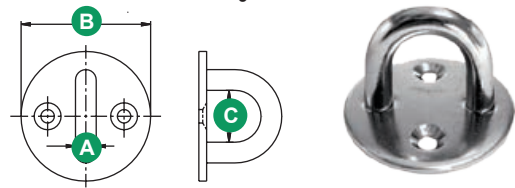


Part No.	Dimensions (mm)			
	A	B	C	D
JPW19200	5	30	35	14
JPW19201	6	35	40	18
JPW19202	8	40	50	20

Round Eye Plates - Stainless Steel

316-grade stainless steel with welded eye.

• 2 x 5mm countersunk fastening holes.

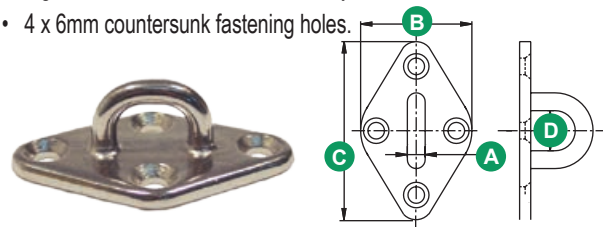


Part No.	Dimensions (mm)		
	A	B	C
JPW19204	5	33	14
JPW19205	6	40	18
JPW19206	8	50	20

Diamond Eye Plate - Stainless Steel

316-grade stainless steel with welded eye.

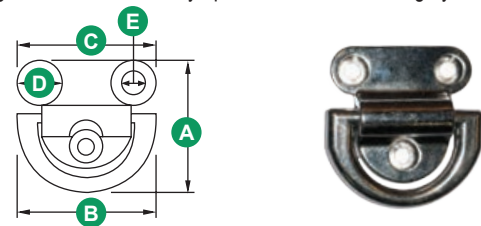
• 4 x 6mm countersunk fastening holes.



Part No.	Dimensions (mm)			
	A	B	C	D
JPW19208	5	37	59	14
JPW19209	6	43	70	18
JPW19210	8	50	80	20

Folding Cast Pad Eye - Stainless Steel

316-grade stainless steel eye plate with welded folding eye.



Part No.	Dimensions (mm)				
	A	B	C	D	E
JPW19250	46	45	42	12	6
JPW19251	64	62	57	11	6
JPW19252	78	69	63	11	6

Saddle Eye Straps - Stainless Steel

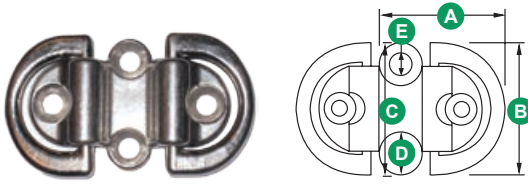
316-grade stainless steel saddle eye strap with countersunk fastening holes.



Part No.	Dimensions L x H (mm)	Fastening Holes (mm)
JPW19166	53 x 17	2 x 4
JPW19167	63 x 20	2 x 5
JPW19168	67 x 53	2 x 6

Folding Cast Double Pad Eye - Stainless Steel

316-grade stainless-steel eye plate with double welded folding eyes.



Part No.	Dimensions (mm)				
	A	B	C	D	E
JPW19254	79	45	26	11	6

Oblong Cast Pad Eye - Stainless Steel

316-grade stainless-steel with welded eye.

- 2 x 6mm countersunk fastening holes.

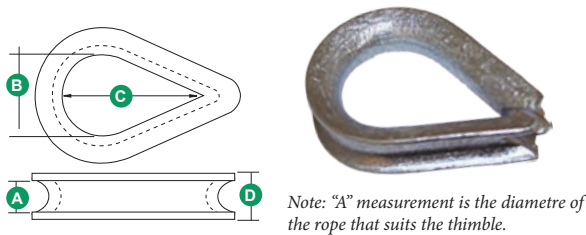


Part No.	Dimensions (mm)			
	A	B	C	D
JPW19157	89	20	6	18
JPW19158	102	26	8	20

Thimbles - Galvanised

Galvanised steel thimbles in a range of sizes (12mm-38mm).

- Traditional style and suitable for splicing into anchor ropes etc.

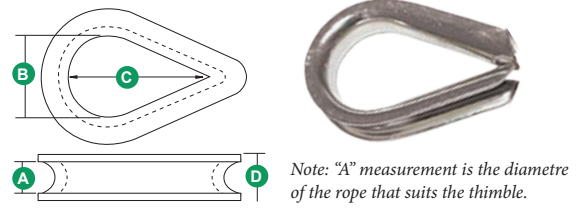


Part No.	Dimensions (mm)			
	A	B	C	D
JPW4000	12	30	70	18
JPW4001	14	40	85	20
JPW4002	16	41	92	22
JPW4004	20	50	115	28
JPW4005	22	52	130	29
JPW4006	24	65	144	32
JPW4008	28	74	168	39
JPW4010	32	96	202	44
JPW4013	38	106	244	52

Thimbles - Stainless Steel

Traditional rope style thimbles suitable for splicing into small anchor ropes.

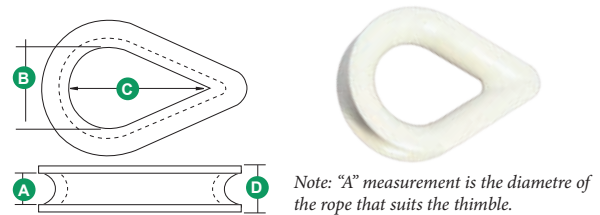
Made with 304-grade stainless steel.



Part No.	Dimensions (mm)			
	A	B	C	D
JPW520	6	13	23	9
JPW521	8	20	34	13
JPW522	10	25	40	15
JPW523	12	28	50	18
JPW525	14	33	53	20
JPW526	16	38	66	23
JPW529	20	47	84	27
JPW531	24	54	85	33

Thimbles - White Nylon

Non-corrosive white nylon rope groove. Also for use with fibre rope.



Part No.	Dimensions (mm)			
	A	B	C	D
JPW5470	8	13	17	12
JPW5471	10	16	21	14
JPW5472	12	23	31	15
JPW5473	16	30	43	18

Shockcord Hooks Nylon

Black nylon shockcord hooks with spring clip.

Simply thread the shockcord through the recessed end hole and tie a knot.

- Available in 5mm, 6mm and 8mm sizes.

Part No.	Size (mm)
JPW13199	5
JPW13200	6
JPW13201	8



TRAILER PARTS & ACCESSORIES 10

TRAILER LIGHTS

Trailer Lights 154 - 156

TRAILER CONNECTORS

Trailer Plugs, Sockets & Adaptors 157

MANUAL TRAILER WINCHES

Manual Winches 158

Winch Cables, Ropes & Straps 159

Winch Handle & Pocket 159

ELECTRIC TRAILER WINCHES

Electric Trailer Winch 712 160 - 161

Electric Trailer Winch 912 162 - 163

Electric Trailer Winch 915 164 - 165

Electric Trailer Winch RC23 166 - 167

Electric Trailer Winch RC30 168 - 169

TIE DOWNS & STRAPS

Tie Downs 170 - 171

TRAILER ACCESSORIES

Jockey Wheels, Clamp & Spare Parts 172 - 173

Tow Balls, Coupling Lock & U-Bolts 173

Trailer Wheel Bearings & Kits 173

TRAILER ROLLERS

All Rollers 174 - 175

Bow Wedges 176

Trailer Roller Pins & Brackets 177

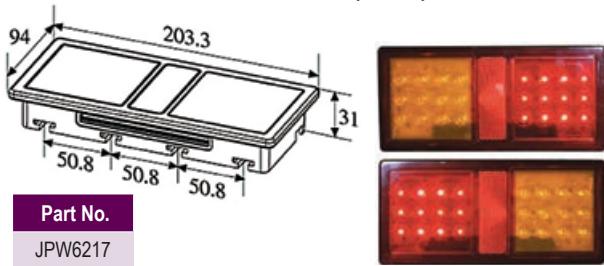
Trailer Strips & Plank 176



Trailer Light LED Submersible

Sold as a pair, right hand light fitted with number plate light. The unit is sealed water tight for submersion.

- Pre-wired with 225mm of cable for easy do-it-yourself installation.



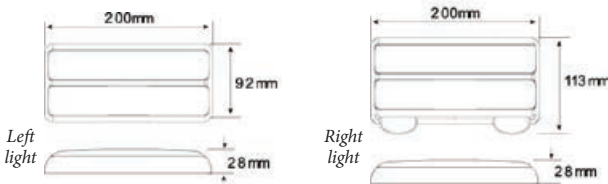
Part No.
JPW6217

Trailer Light LED 207 Series Twin Blister



Fully submersible IP67, 12v & ADR approved trailer twin pack.

- Compatible with LED Autolamps "Push & Seal System"
- 5 year warranty



Push-And-Seal system allows quick & easy connections

Part No.
JPW11748



LED Submersible Trailer Light (202 Series)

A simple DIY lighting solution designed specifically for marine trailer applications featuring stop/tail, indicator & reflector or stop/tail, indicator, reflector & license functions. Lifespan of 100,000hrs.

- Submersible to 1.2m.
- Right-hand light fitted with a licence plate light.
- Polycarbonate lens vibration & shock-resistant.
- Water/dust proof with tinned copper wiring and stainless steel fittings.
- Five-year warranty



Part No.	Type	No. Plate Light	Cable Length (mm)	Light Dimensions LxWxD (mm)
JPW11763	Right	Yes	300	162 x 80 x 35
JPW11764	Left	No	300	

LED Submersible Trailer Light & Plug Kit (202 Series)

- 1 x left and right hand trailer light with 7.2m cable harness
- 1 x 7-pin plug.



Part No.
JPW11779



LED Submersible Trailer Light (202 Series) with Cable Harness

Fully sealed with cable harness fitted ready to install. 12 volt LED stop/tail and indication combination. Available in left or right combos.

- Made with polycarbonate lens vibration & shock-resistant.
- Right-hand light fitted with a licence plate light.
- Submersible to 1.2m - water/dust proof with tinned copper wiring and stainless steel fittings.
- Right-hand light fitted with a licence plate light.
- Five-year warranty



JPW11770 with 7.2m harness (Series 202)



JPW11782 with Side Marker (Series 202)

Part No.	Type
JPW11770	Left - light & 7.2m wiring harness
JPW11771	Right - light, 7.2m wiring harness & license plate light
JPW11782	Left - light, 8.3m wiring harness & side marker
JPW11783	Right - light, 8.3m wiring harness, side marker & license plate light

LED Submersible Trailer Light (203 Series)

A simple DIY lighting solution designed specifically for marine trailer applications featuring stop/tail, indicator & reflector or stop/tail, indicator, and reflector. Includes bonus license plate light. Lifespan of 100,000hrs.

- Submersible to 1.2 - water/dust proof with tinned copper wiring and stainless steel fittings.
- Polycarbonate lens vibration & shock-resistant.
- Five-year warranty
- Vertical or horizontal surface mounted.

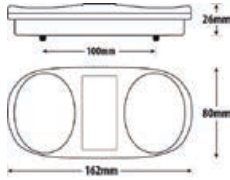


Part No.	Type	No. Plate Light	Cable Length (mm)	Light Dimensions LxWxD (mm)
JPW11761	Right	Yes	300	203 x 92 x 39
JPW11762	Left	No	300	

LED Submersible Trailer Light Kit (205 Series) Twin Blister Pack

The smallest of the BR Series for when space is at a premium. Featuring stop/tail, indicator & reflector functions, designed specifically for budget conscious marine trailer applications. Lifespan rating of 100,000hrs.

- Compact marine LED combination lamp.
- 12V DC input & low current draw.
- Submersible to 1.2m.
- Polycarbonate lens vibration & shock-resistant.



• Water/dust proof with tinned copper wiring and stainless steel fittings.

Part No.	Type	Cable Length (mm)
JPW11750	Left & Right Sub Light Kit	300

Trailer Light Sub Kit Slimline

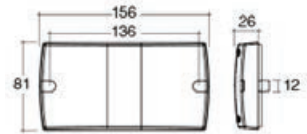


Narva's popular Model 36 Slimline Trailer Lamps are now available as a trailer light kit with two combination lamps, one with and one without an in-built LED licence plate lamp. Ideal for marine applications the lamps are tested after the sealing process and cables are sealed at the entry point of the lamp.

- Hard-wired with 9 metres of fully insulated 4-core cable

Kit includes:

- 1 x 12V LED Slimline Rear Stop/Tail, Direction Indicator Light with retro reflector.
- 1 x 12V LED stop/tail, direction indicator with licence plate lamp & retro reflector.



Part No.	Cable Length (m)
N93642TP	9



LED Trailer Number Plate Light

Polycarbonate lens.



- Tinned wiring (cable length 350mm).
- Vibration and shock resistant.



Part No.
JPW11759



LED Submersible Trailer Lights

LED submersible 12v trailer lights feature stop/tail, indicator light with in-built licence plate light. ECE approved A-14196 and complies with ADR.

- In-built licence plate light.
- Three-year warranty.



Part No.	Cable Length (mm)	Light Dimensions LxWxD (mm)
JPW6215	150	110 x 98 x 35
JPW6216	150	110 x 98 x 35



Blister Packed

LED Submersible Trailer Light Kit - Model 41



Features two (stop/tail, indicator, reflector) lamps with 9m of tinned cable. Number plate light included. Can be wired back to plug offering additional waterproofing.

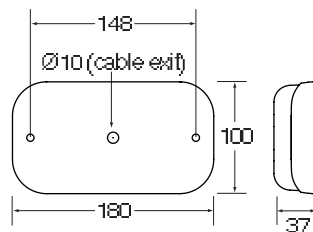
- DIY simple surface mount & snap-in design
- In-built reflector
- Polycarbonate lens
- Vibration & shock-resistant
- Water & dust proof
- Maintenance-free
- Multi-volt 9-33v DC input
- Hard wired tinned copper wiring & stainless steel fittings



- 100,000 hour LED life span
- ADR approved when mounted horizontally
- IP rating: IP66 & IP68
- Low-profile design.



Trailer light kit with 9m harness & separate license plate light

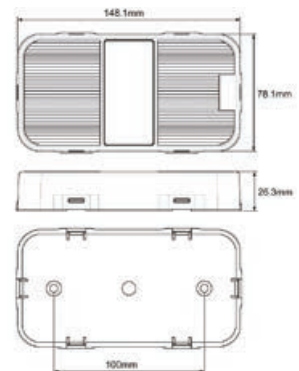


Part No.	Type	Cable Length
N94142TP	Left & Right Light Kit + License Plate Light	9m

LED Slimline Submersible Trailer light Kit

Stop/tail, indicator, in-built reflector with licence plate lamp included on right side.

- 100% submersible
- Polycarbonate lens
- Includes pre-wired cable and mounting screws
- ADR-compliant
- 100,000 hours of operation or 5 year warranty



Part No.	Type
JPW6210	LED Submersible Trailer Lamp Twin Pack
JPW6211	LED Submersible Trailer Lamp Twin Pack with 9m Cable

LED Submersible Trailer Light Board

LED submersible trailer light board comes hard wired with 8m of cable and either 7-pin round or flat plug. Features stop/tail/indicator with in-built licence plate light. Easy to connect and disconnect; suitable for small boat and box trailers.

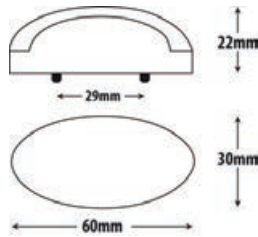


Part No.	Plug Type	Dimensions (mm) (L x W x D)	Cable Length (m)
JPW6218	7-Pin Small Round Plug	1.5 x 140 x 55	8
JPW6219	7-Pin Flat Plug	1.5 x 140 x 55	8

Trailer Light LED Side Marker Red/Amber

Waterproof rating - IP67, vibration and shock-resistant with polycarbonate lens.

- In-built reflex reflector.
- Pre-wired 0.5m tinned copper sheathed.

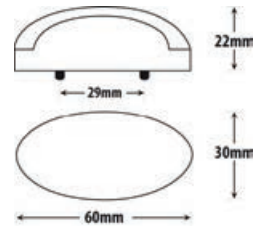


Part No.	Pack
JPW11765	Single
JPW11765-10	10 pack

Trailer Light LED Side Marker White

Waterproof rating - IP67, vibration and shock-resistant with polycarbonate lens.

- In-built reflex reflector.
- Pre-wired 0.5m tinned copper sheathed.

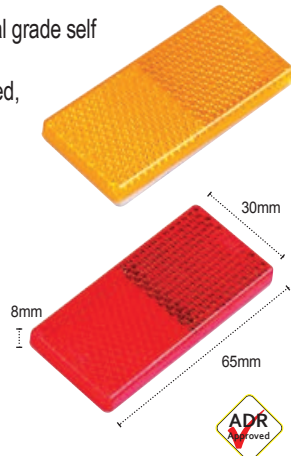


Part No.	Pack
JPW11788	Single
JPW11788-10	10 pack

Reflectors - Self Adhesive

Stylish slimline retro design. Industrial grade self adhesive tape, no tools required! Full ECE approval and a choice of red, amber or clear. Twin blister pack for retail or bulk single sold OEMs.

Part No.	Colour / Pack
JPW11766	Amber / Twin pack
JPW11774	Amber / Each (bulk)
JPW11772	Red / Twin pack
JPW11773	Red / Each (bulk)
JPW11767-B	Clear / Each (bulk)
JPW11767	Clear / Twin pack

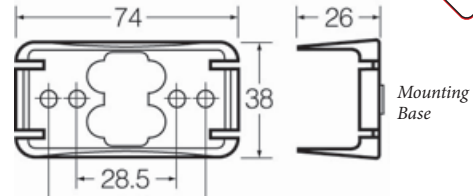


LED Side Markers Model 16



Side markers with virtually unbreakable polycarbonate lenses, hard-wired into the sonically sealed light housing.

- Low-current draw and 100,000 hours of operation.
- IP66- & IP68-rated
- 500mm cable length



Dimensions (mm)



Red/Amber



White

Part No.	Housing
Red / Amber	
N91602BL	Black
White	
N91612W	White
N91612BL	Black
Amber	
N91622W	White
N91622BL	Black
Red	
N91632W	White
N91632BL	Black



Amber



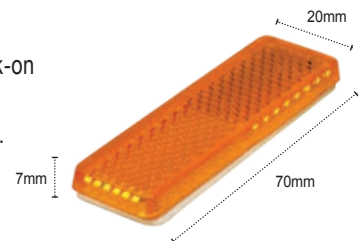
Red

Reflectors Amber - Self Adhesive

Amber reflectors with stick-on adhesive backing.

- Sold each as a bulk product.

Part No.
JPW6214



Plastic Trailer Plug

Features a magnetic strip to hold plug to trailer, allowing for a quick and easy assembly.



Part No.	Type	Pin Type
JPW6300	Small Round	6-Pin
JPW6301	Small Round	7-Pin

Plastic Trailer Socket

Flat-style trailer socket with mounting screws, washers & nuts included.



Part No.	Type	Pin Type
JPW6306	Flat	7-Pin

Metal Trailer Plug

Amp rating per pole - 15A at 12V.



Part No.	Type	Pin Type
N82131BL	Small Round	7-Pin

Nite-Lite 7-Pin Flat LED Trailer Socket

Connecting in the dark just got easy! Automatically activates when headlights are turned on.

- No extra wiring required.



Part No.	Type	Pin Type
JPW6316	Flat	7-Pin

Metal Trailer Plug

Suitable for heavy duty purposes.

- Easy to use and reliable.



Part No.	Type	Pin Type
JPW6312	Small Round	7-Pin

Trailer Adaptors

To connect 6- and 7-pin round/flat socket/plug on vehicles/trailers. Available in various combinations:

- Round - Round
- Round - Flat
- Flat to Flat



Plastic Trailer Plug

Features a magnetic strip to hold plug to trailer, allowing for a quick and easy assembly.



Part No.	Type	Pin Type
JPW6307	Flat	7-Pin

Plastic Trailer Socket

Includes mounting screws, washers & nuts.



Part No.	Type	Pin Type
JPW6304	Small Round	6-Pin
JPW6305	Small Round	7-Pin

Part No.	Car Socket	Trailer Plug
JPW6302	6-Pin - Round	7-Pin - Round
JPW6303	7-Pin - Round	6-Pin - Round
JPW6308	6-Pin - Round	7-Pin - Flat
JPW6309	7-Pin - Round	7-Pin - Flat
JPW6310	7-Pin - Flat	6-Pin - Round
JPW6311	7-Pin - Flat	7-Pin - Round

Trailer Winch - Single Way

Manual trailer winch made from steel with an EDC corrosion-resistant coating.

- Single pawl for single direction.
- Handle bolts onto main shaft.
- Winch cables sold separately.

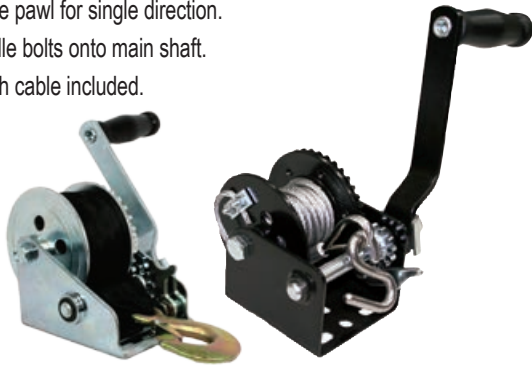


Part No.	Gear Ratio	Load Capacity (kg)	Base Size (mm)
JPW6470	3:1	250	85 x 88
JPW6471	3:1	360	95 x 85
JPW6472	4:1	455	135 x 85

Trailer Winch - Single Way with Cable/ Webbing

Manual winch made from steel with an EDC corrosion-resistant coating.

- Single pawl for single direction.
- Handle bolts onto main shaft.
- Winch cable included.



Part No.	Gear Ratio	Load Capacity (kg)	Base Size (mm)	Cable Size
JPW6479	3:1	250kg	95 x 85	12ft (4.5m)
JPW6480	3:1	360kg	95 x 85	12ft (4.5m)
JPW6480S	3:1	360kg	95 x 85	12ft (4.5m)
JPW6481	4:1	545kg	135 x 85	20ft (6m)

Trailer Winch - Dual-Gear Drive

Manual trailer winch made from steel with an EDC corrosion-resistant coating.

- Dual-gear drive for a greater lifting capacity.
- Handle bolts onto main shaft.
- Includes 6m winch cable and 'S' hook.



Part No.	Gear Ratio	Load Capacity (kg)	Base Size (mm)	Cable Size
JPW6482	4/1:1	900kg	135 x 88	20ft (6m)

Trailer Winch - Dual Way

Manual winch made from steel with an EDC corrosion-resistant coat.

- Triple pawl gear for forward, neutral & reverse operation.
- Handle bolts onto main shaft.
- Winch cables sold separately.



Part No.	Gear Ratio	Load Capacity (kg)	Base Size (mm)
JPW6473	4:1	545	135 x 88

Trailer Winch Stainless Steel - Single Way

Manual trailer winch made from stainless steel for excellent corrosion-resistance.

- Single pawl for single direction.
- Handle bolts onto main shaft.
- Winch cables sold separately.



Part No.	Gear Ratio	Load Capacity (kg)	Base Size (mm)
JPW6483	3/5:1	360	95 x 85
JPW6485	4/1:1	725	135 x 88

Trailer Winch Stainless Steel - Dual-Drive

Manual trailer winch made from stainless steel for excellent corrosion resistance.

- Dual-gear drive for a greater lifting capacity.
- Handle bolts onto main shaft.
- Winch cables sold separately.



Part No.	Gear Ratio	Load Capacity (kg)	Base Size (mm)
JPW6484	3/5:1	545	95 x 85
JPW6486	4/1:1	900	135 x 88

Manual Trailer Winches with Launch Control Breaking

Heavy duty saltwater- & rust-resistant winch. Features soft handle grip, solid plate gears and steel snap or 'S' hook.

- Magnetic snap-on handle.
- 2 & 3 gear options
- UV-coated polyester webbing.
- Launch control brake system.
- Webbing 50mm x 7.5m
- 12-month warranty.



Part No.	Gear Ratio	Load Capacity (kg)	Gear	Base Size
JPW6488	5:1 & 1:1	900kg	Dual	95 x 160mm
JPW6489	12:1, 5:1 & 1:1	1150kg	3-Gear	145 x 190mm

Trailer Winch Handle - Snap-On

Rust-resistant, magnetic handle with soft handle grip; ideal when changing gears.

- Suitable for Ark winch models: JPW6488 & JPW6489



Part No.
JPW6499

Trailer Winch Handle - Black

Winch handle black EDC coated steel handle with moulded plastic handle grip.

- 22mm hex head internal slot suits popular winches.

Part No.
JPW6501



Trailer Winch Handle Pocket

White PVC pocket for winch handles and knives storage. Mounted with screws or a strap.

Part No.
JPW6503



Trailer Winch with Galvanised Cable

Steel cable with 'S' hook suitable for use with manual trailer winches.

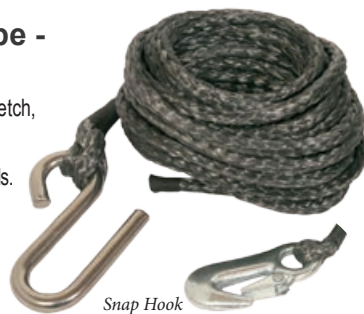


Part No.	Hook Type	Cable Dia. (mm)	Length (m)	Approx Boat Length (m)
JPW6504	'S' Hook	4	4.5	3
JPW6505	'S' Hook	5	6	4.5
JPW6506	'S' Hook	5	7.6	6
JPW6507	'S' Hook	4	5	3.5
JPW6508	'S' Hook	4	6	4.5

Trailer Winch Rope - Spectra

Made from super strong, low stretch, UV-resistant Spectra rope.

- Heat shrink-covered spliced ends.
- Available with stainless steel 'S' hook or corrosion-resistant snap hook.

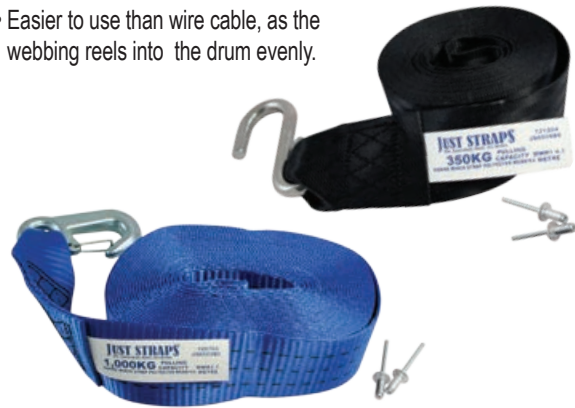


Part No.	Hook Type	Rope Dia. (mm)	Rope Length (m)	Breaking Strain (kg)
JPW6520	'S' Hook	5	5	900
JPW6521	'S' Hook	5	6	900
JPW6522	'S' Hook	7	6	1700
JPW6523	Snap Hook	7	7	1700
JPW6524	Snap Hook	7	8	1700
JPW6525	Snap Hook	7	9	1700
JPW6526	Snap Hook	8	12	2100

Winch Straps

Australian-made polyester webbing with stainless steel 'S' hook.

- Two pop rivets to connect the webbing to the winch drum.
- Easier to use than wire cable, as the webbing reels into the drum evenly.



Part No.	Dimensions (L x W)	Pulling Capacity (kg)
JPW6624	50mm x 4.3m	350
JPW6625	50mm x 6m	550
JPW6626	50mm x 7.5m	550
JPW6627	50mm x 7m	1000

Trailer Winch Webbing Strap

50mm nylon webbing with corrosion-resistant snap hook or stainless steel 'S' hook.

- Supplied with a fastening bolt to connect webbing to winch drum.



Part No.	Hook Type	Webbing Size (W x L)
JPW6531	Snap Hook	50mm x 6mtr
JPW6532	Snap Hook	50mm x 7mtr
JPW6534	Snap Hook	50mm x 4.3mtr
JPW6536	'S' Hook	50mm x 4.3mtr

Dyneema Winch Rope

Available in three sizes to handle loads of up to 3500kg.

- Includes stainless steel 'S' hook or a galvanised snap hook.



Part No.	Hook Type	Rope Dia. (mm)	Rope Length (m)	Breaking Strain (kg)
JPW6512	'S' Hook	4	6	1300
JPW6513	Snap Hook	5	6	2300
JPW6514	Snap Hook	6	7.5	3500

712 Powerwinch Electric Trailer Winch - Power-In / Freewheel-Out

The 712 Trailer Winch offers power-in/freewheel-out action which means the electric motor pulls the boat onto the trailer yet has a clutch release to allow gravity to float it into the water with ease. Additionally, you can also use a pulley or block at the bow eye to double your pulling power.

- Max. boat weight: 7,500 lbs (3400kg)
- Vertical lift capacity of 2400 lb (1088kg) (single line) or double pull/line capacity 4300 lbs (1950kg). (Not to be used as a hoist)

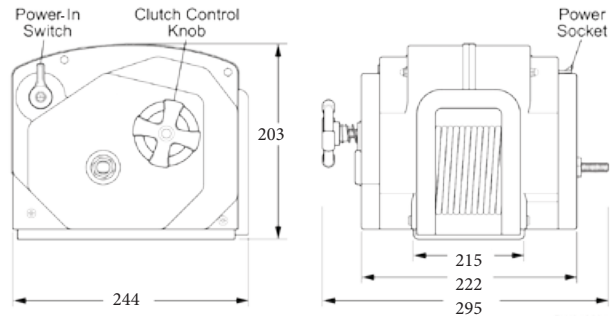
Included with winch:

- Power-in/freewheel-out operation
- Pulley block for double line applications
- Line speed 14 FPM
- 12 volt operating power
- 7/32" x 40' (5.5mm x 12m) cable
- Manual hand crank
- 60 amp standard wiring harness



Part No.	Description	Boat Size "Suggested"
JPW6461	712 Powerwinch Electric Trailer Winch - Power-In / Freewheel Out	5-7mtr (17-23ft) or 3400kg

* Boat size and weight is approximate and varies depending on boat type. When calculating boat weight, use the fully loaded weight that includes boat, motor, fuel, water, gear etc.



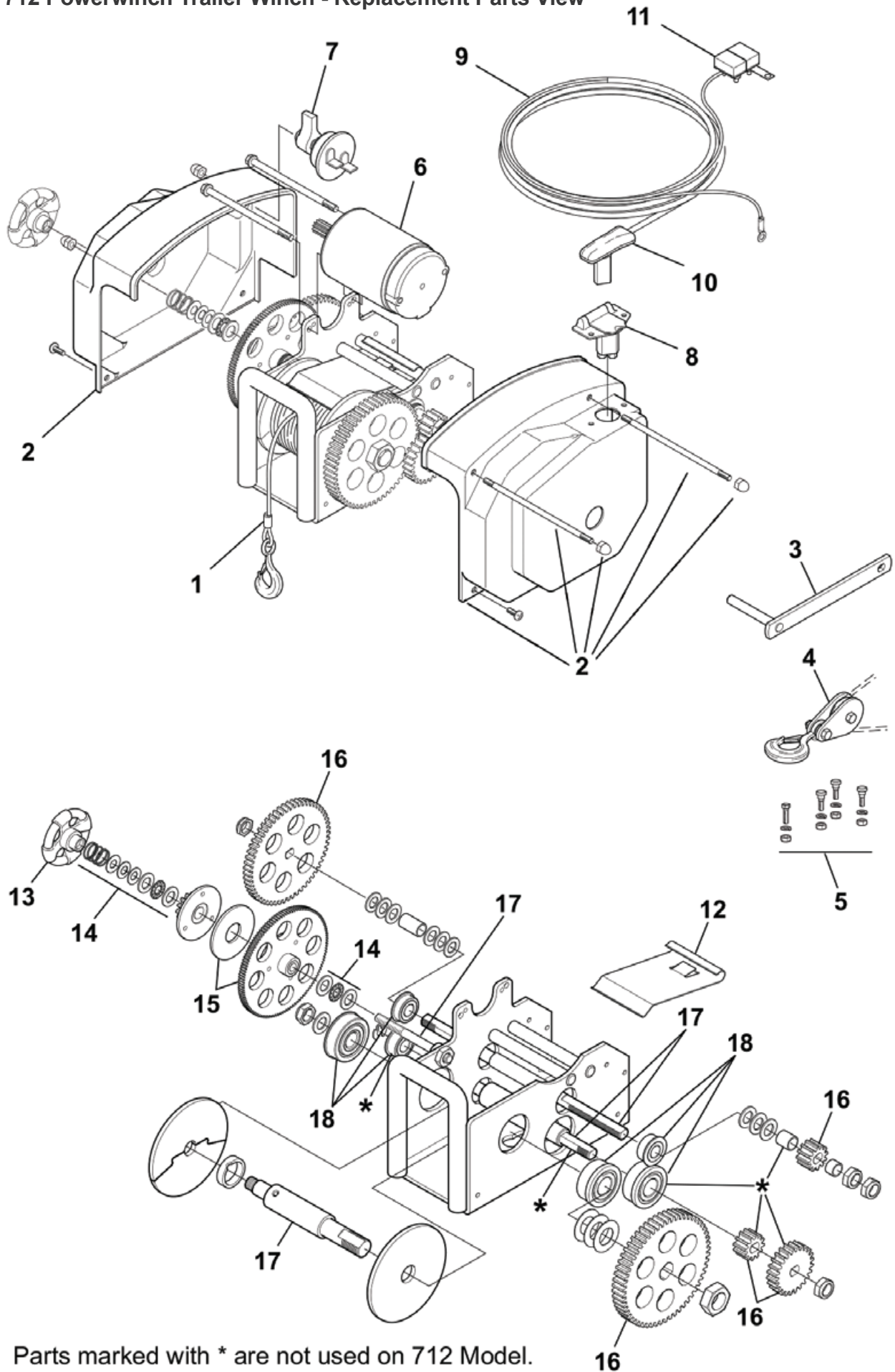
Dimensions are in (mm)

712 Powerwinch Trailer Winch - Replacement Parts

JPW Part No.	Supplier Part No.	Description	Item
PW7188800	P7188800AJ	Cable Assy 7/32" x 40'	1
PW001284	R001284	Cover Kit	2
PW5594700	P5594700AJ	Emergency Crank Handle	3
PW7904300	P7904300AJ	Pulley Block Kit	4
PW7700000	P7700000AJ	Quick Mount Kit	5
PW001287	R001287	Motor Assy	6
PW7811700	P7811700AJ	Switch	7
PW7810300	P7810300AJ	Socket Power	8
PW7830201	P7830201AJ	Wire Harness w/ items 10 & 11	9
PW7810500	P7810500AJ	Plug for Wire Harness	10
PW7837300	P7837300AJ	Circuit Breaker 60 amp	11
PW001275	R001275	Level Wind Plate	12

JPW Part No.	Supplier Part No.	Description	Item
PW001314	R001314	Clutch Knob	13
PW7160901	P7160901AJ	Clutch Spring and Washer Kit	14
PW001283	R001283	120T Gear Kit	15
PW001282	R001282	Gear Kit	16
PW001285	R001285	Shaft Kit	17
PW001281	R001281	Bearing Kit	18
PW001286	R001286	Fastener Kit	19
The following repair kits are also available			
PW91007	P91007	Drum Shaft & Gear Kit	20
PW91010	P91010	Rear Shaft & Gear Kit	22

712 Powerwinch Trailer Winch - Replacement Parts View

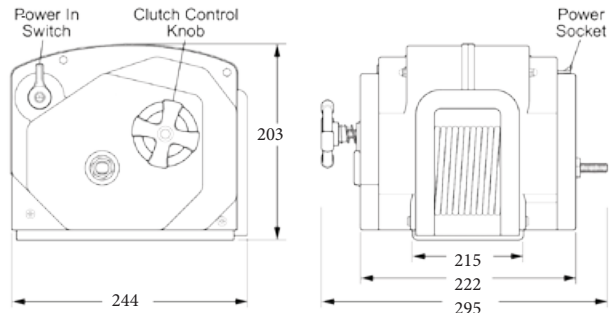


912 Powerwinch Electric Trailer Winch - Power-In / Freewheel-Out

The 912 Trailer Winch offers power-in/freewheel-out action which means the electric motor pulls the boat onto the trailer yet has a clutch release to allow gravity to float it into the water with ease. Additionally, you can also use a pulley or block at the bow eye to double your pulling power.



- Max. boat weight: 11,500 lbs (5216kg)
- Vertical lift capacity of 4000 lb (1815kg) (single line) or double pull/line capacity 7500 lbs (3400kg) (Not to be considered or used as a hoist)
- Power-in/freewheel-out operation
- Pulley block for double line applications
- Line speed 8 FPM
- 12 volt operating power
- 7/32" x 40' (5.5mm x 12m) cable
- Manual hand crank
- 60 amp standard wiring harness



Dimensions are in (mm)

Part No.	Description	Boat Size "Suggested"
JPW6462	912 Powerwinch Electric Trailer Winch - Power-In / Freewheel Out	7-9mtr (23-30ft) or 5200kg

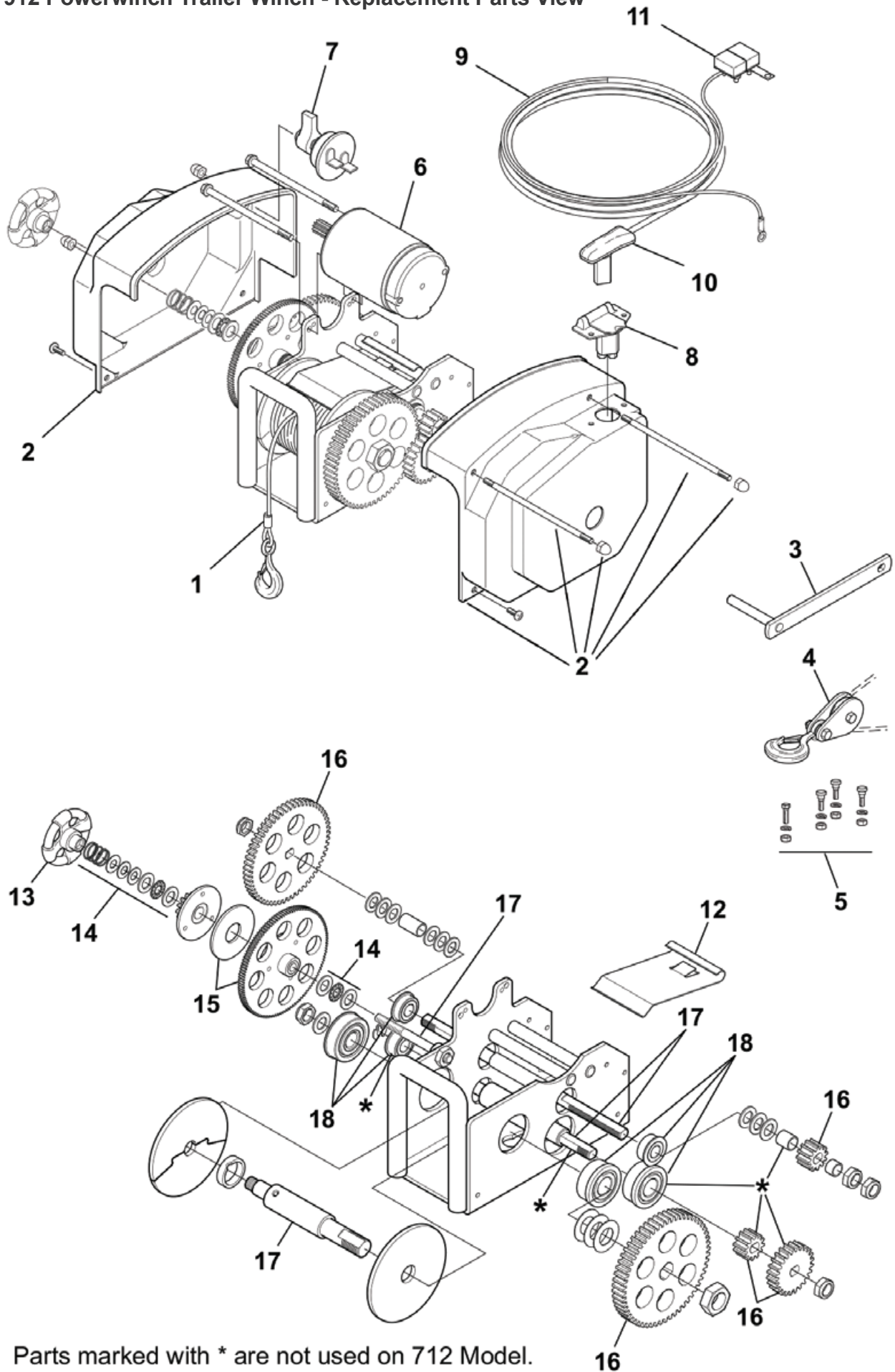
* Boat size and weight is approximate and varies depending on boat type. When calculating boat weight, use the fully loaded weight that includes boat, motor, fuel, water, gear etc.

Powerwinch (912 Model) Replacement Parts

JPW Part No.	Supplier Part No.	Description	Item
PW7188800	P7188800AJ	Cable Assy 7/32" x 40'	1
PW001292	R001292	Cover Kit	2
PW5594700	P5594700AJ	Emergency Hand Crank	3
PW7904300	P7904300AJ	Pulley Block Kit	4
PW7700000	P7700000AJ	Quick Mount Kit	5
PW001295	R001295	Motor Assy	6
PW7811700	P7811700AJ	Switch	7
PW7810300	P7810300AJ	Socket Power	8
PW7830201	P7830201AJ	Wire Harness w/ items 10 & 11	9
PW7810500	P7810500AJ	Plug for Wire Harness	10
PW7837300	P7837300AJ	Circuit Breaker 60amp	11
PW001275	R001275	Level Wind Plate	12

JPW Part No.	Supplier Part No.	Description	Item
PW001314	R001314	Clutch Knob	13
PW7160901	P7160901AJ	Clutch Spring and Washer Kit	14
PW001291	R001291	120T Gear Kit	15
PW001290	R001290	Gear Kit	16
PW001293	R001293	Shaft Kit	17
PW001289	R001289	Bearing Kit	18
PW001294	R001294	Fastener Kit	19
The following repair kits are also available			
PW91007	P91007	Drum Shaft and Gear Kit	20
PW91008	P91008	Intermediate Shaft and Gear Kit	21
PW91009	P91009	Rear Shaft and Gear Kit	22

912 Powerwinch Trailer Winch - Replacement Parts View



Parts marked with * are not used on 712 Model.

915 Powerwinch Electric Trailer Winch - Power-In/Power-Out

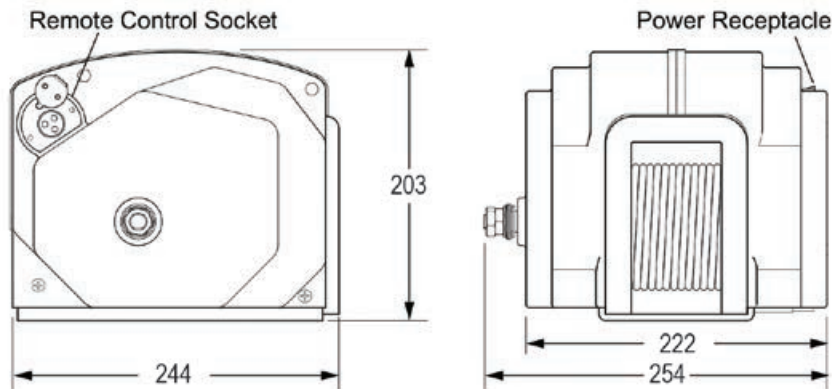
The 915 12V power-in/power-out allows you to both raise or lower your boat with the electric motor, offering a smoother, more controlled feel. This electric winch also comes complete with a 10' remote control cord and switch. Additionally, you can also use a pulley or block at the bow eye to double your pulling power.

- Max. boat weight: 9500 lbs (4309kg)
- Vertical lift capacity of 3200 lbs (1450kg), double line capacity of 7500 lbs (3400kg). (not to be used as a hoist)
- Power-in/power-out control
- Line speed 10 FPM
- 12 volt operating power
- 10' remote control cord and switch
- 7/32" x 40' (5.5mm x 12m) cable
- Manual hand crank
- Pulley block for double-line applications
- 60 amp standard wiring harness



Part No.	Description	Boat Size "Suggested"
JPW6465	915 Powerwinch Electric Trailer Winch - Power-In/Power-Out	6-9mtr (22-29ft) or 9500kg

* Boat size and weight is approximate and varies depending on boat type. When calculating boat weight, use the fully loaded weight that includes boat, motor, fuel, water, gear etc.



Dimensions are in (mm)

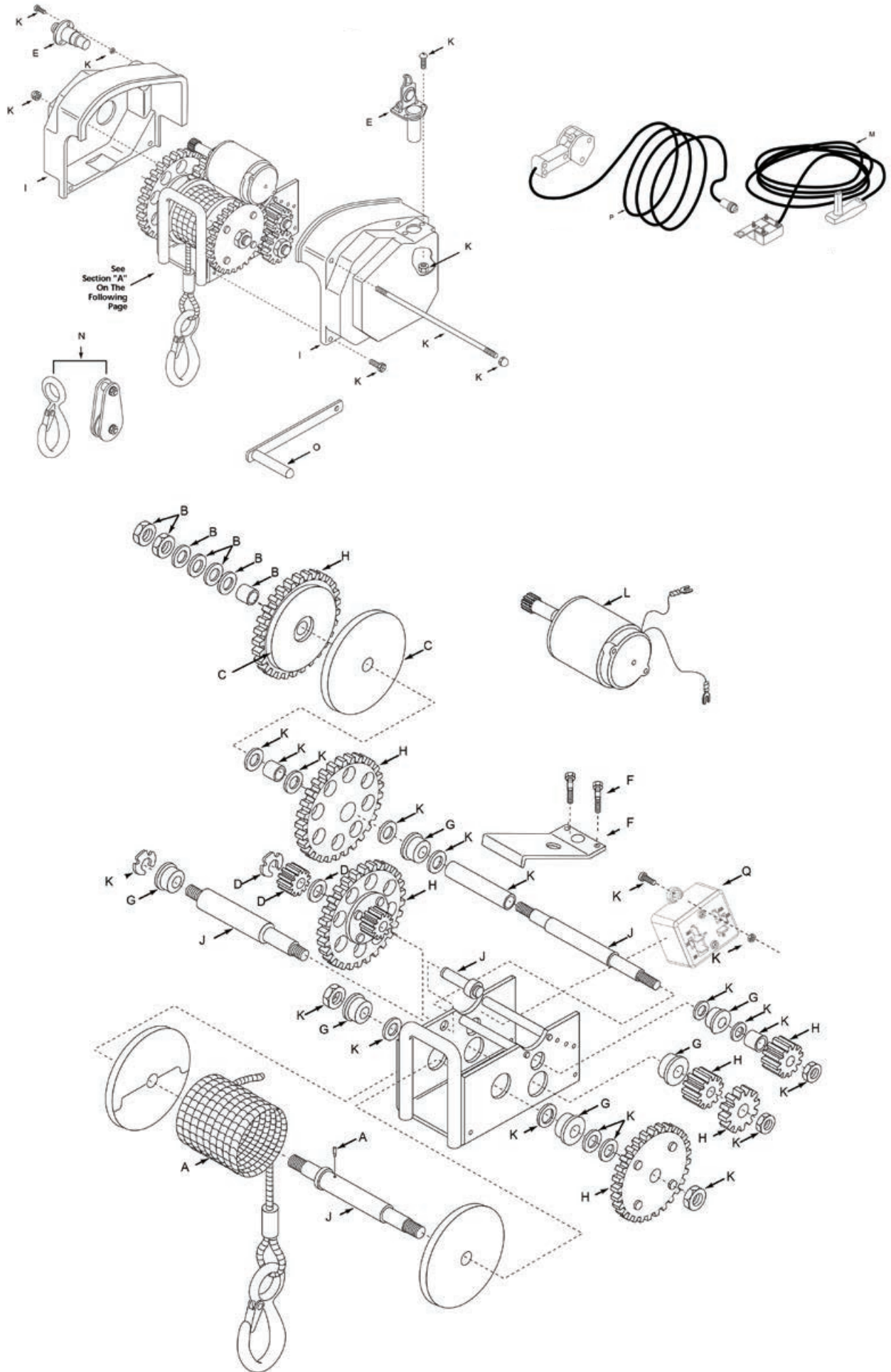
Powerwinch (915 Model) Replacement Parts

JPW Part No.	Supplier Part No.	Description	Item
PW001276	R001276	Replacement Cable	A
PW001298	R001298	Clutch Washer Kit	B
PW001297	R001297	Clutch Kit	C
PW001299	R001299	Locking Bearing Kit	D
PW001309	R001309	Socket Kit (*)	E
PW001288	R001288	Levelwind Plate Kit (*)	F
PW001289	R001289	Bearing Kit	G
PW001303	R001303	Gear Kit	H
PW001304	R001304	Cover Kit (*)	I
PW001306	R001306	Shaft Kit	J

JPW Part No.	Supplier Part No.	Description	Item
PW001486	R001486	Fastener Kit	K
PW001310	R001310	Motor With Gear	L
PW7830201	P7830201AJ	Wiring Harness	M
PW7904300	P7904300AJ	Pulley Block	N
PW7704100	P7704100AJ	Emergency Hand Crank	O
PW001305	R001305	Remote Control Kit	P
PW001487	R001487	Relay Solenoid Kit	Q

* Denotes fasteners are included with kit

915 Powerwinch Trailer Winch - Replacement Parts View



RC23 Powerwinch Trailer Winch - Power-In with Wireless Remote & Light

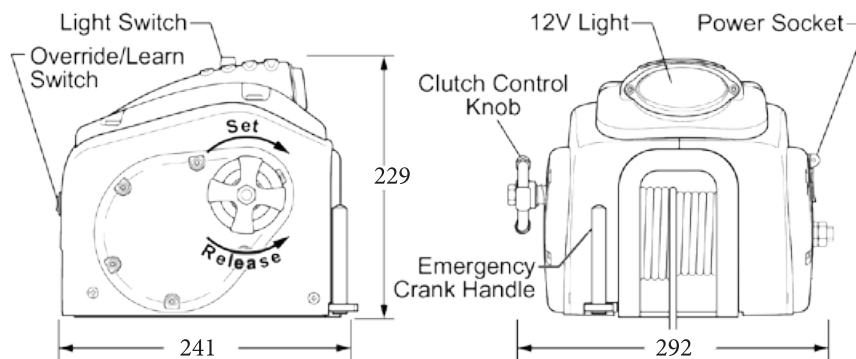
The RC23 Trailer Winch has the added convenience of a light enclosed in the trailer winch casing to assist at night. You can also enjoy the luxury of effortless trailer loading with the use of the wireless remote control. Also includes wiring harnesses and all hardware necessary for installation, plus an emergency crank that stores conveniently in its cover.

- Max. boat weight: 7,500 lbs (3400kg)
- Vertical lift capacity of 2400 lb (1088kg) (single line) or double pull/line capacity 4300 lbs (1950kg) (Not to be considered or used as a hoist)
- Wireless remote operated
- In-built light for low light use
- Remote power-in/freewheel-out operation
- Pulley block for double line applications
- Line speed 14 FPM
- 12 volt operating power
- 7/32" x 40' (5.5mm x 12m) cable
- Manual hand crank
- 60 amp standard wiring harness



Part No.	Description	Boat Size "Suggested"
JPW6463	RC23 Powerwinch Trailer Winch - Power-In with Remote and Light	5-7mtr (17-23ft) or 3400kg

* Boat size and weight is approximate and varies depending on boat type. When calculating boat weight, use the fully loaded weight that includes boat, motor, fuel, water, gear etc.



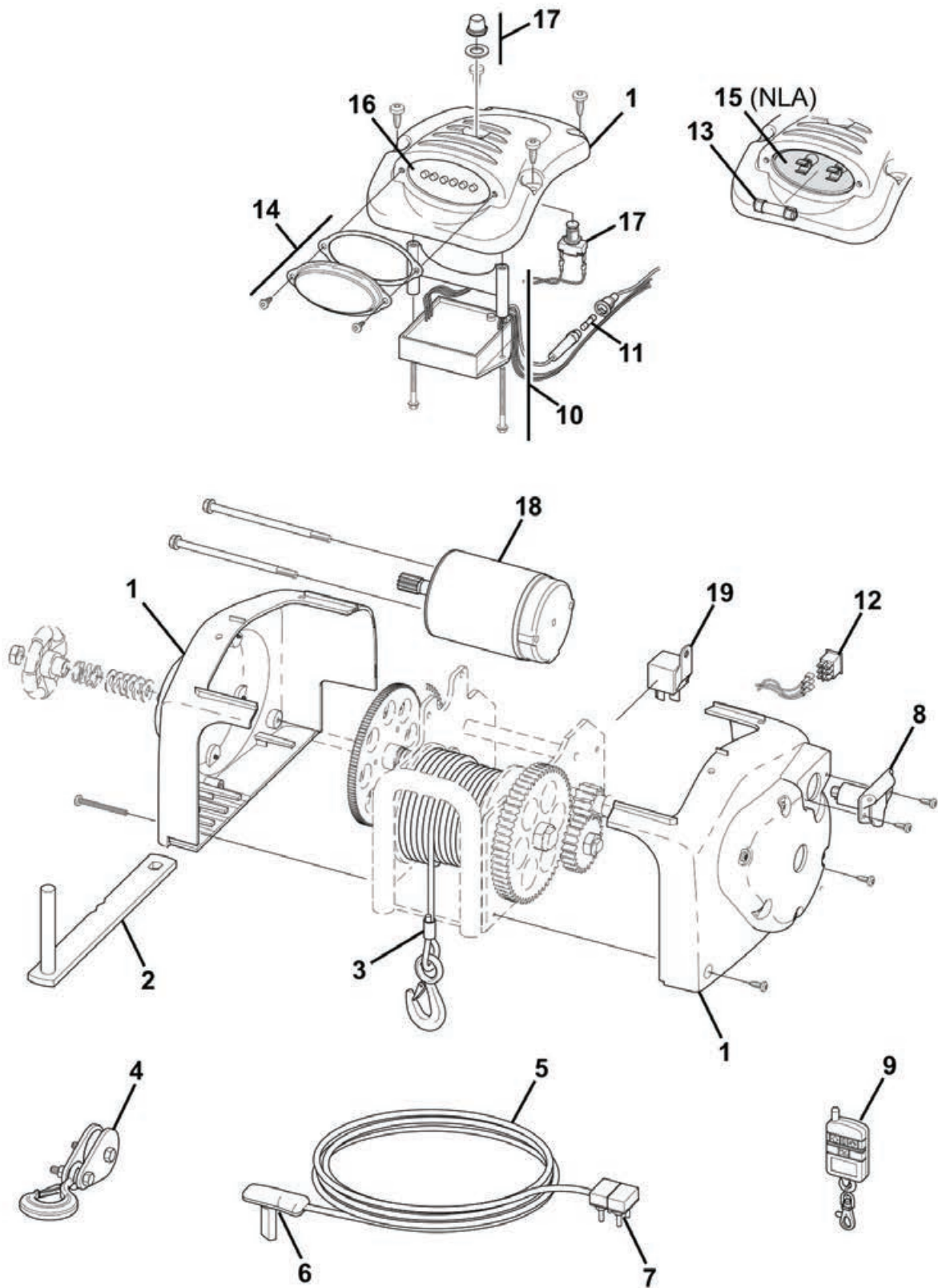
Dimensions are in (mm)

RC23 Powerwinch Replacement Parts List

JPW Part No.	Supplier Part No.	Description	Item
PW001333	R001333	Cover Kit	1
PW5594700	P5594700AJ	Hand Crank Handle	2
PW7188800	P7188800AJ	Replacement Cable	3
PW7904300	P7904300AJ	Pulley Block Kit	4
PW7830201	P7830201AJ	Wire Harness w/ items 6 & 7	5
PW7810500	P7810500AJ	Plug, Wire Harness	6
PW7837300	P7837300AJ	Circuit Breaker, 60amp	7
PW7810300	P7810300AJ	Power Socket	8
PW001501	R001501	Key FOB Remote	9
PW001500	R001500	Receiver Module	10

JPW Part No.	Supplier Part No.	Description	Item
Standard Glass Fuse 5A 250V		Fuse, In-Line, 5A, 250V	11
Included in Item #10		Switch, Learn/Override	12
PW55908	P55908	Bulb	13
PW001312	R001312	Lens Replacement Kit	14
NLA use Item #16		Light Replacement Kit	15
PW001728	R001728	LED Light Kit	16
PW001320	R001320	Switch, Light	17
PW001287	R001287	Motor Assy	18
PW001317	R001317	Solenoid	19

RC23 Powerwinch - Replacement Parts View



RC30 Powerwinch Trailer Winch - Power-In with Wireless Remote & Light

The RC30 Trailer Winch has the added convenience of a light enclosed in the trailer winch casing to assist at night.

You can also enjoy the luxury of effortless trailer loading with the use of wireless remote control.

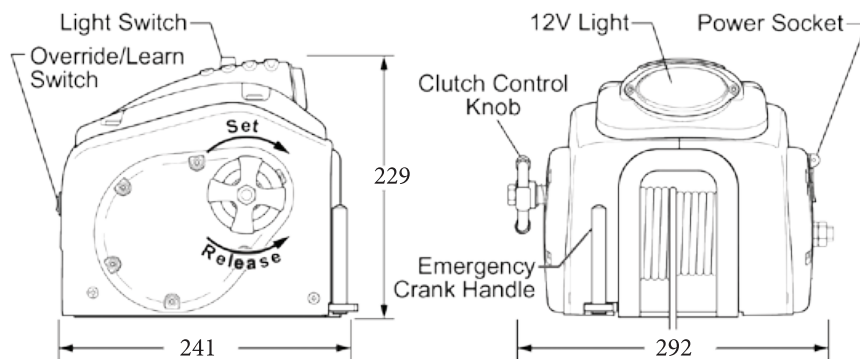
Also includes wiring harnesses and all hardware necessary for installation, and an emergency crank that stores conveniently in the cover.

- Max. boat weight: 11,500 lbs (5216kg)
- Vertical lift capacity of 4000 lb (1815kg) (single line) or double pull/line capacity 7500 lbs (3400kg) (Not to be considered or used as a hoist)
- Wireless remote operated
- Built-in Light for low light use
- Remote power-in/freewheel-out operation
- Pulley block for double line applications
- Line speed 8 FPM
- 12 volt operating power
- 7/32" x 40' (5.5mm x 12m) cable
- Manual hand crank
- 60 amp standard wiring harness



Part No.	Description	Boat Size "Suggested"
JPW6464	RC30 Powerwinch Trailer Winch - Power-In with Remote and Light	7-9mtr (23-30ft) or 5200kg

* Boat size and weight is approximate and varies depending on boat type. When calculating boat weight, use the fully loaded weight that includes boat, motor, fuel, water, gear etc.



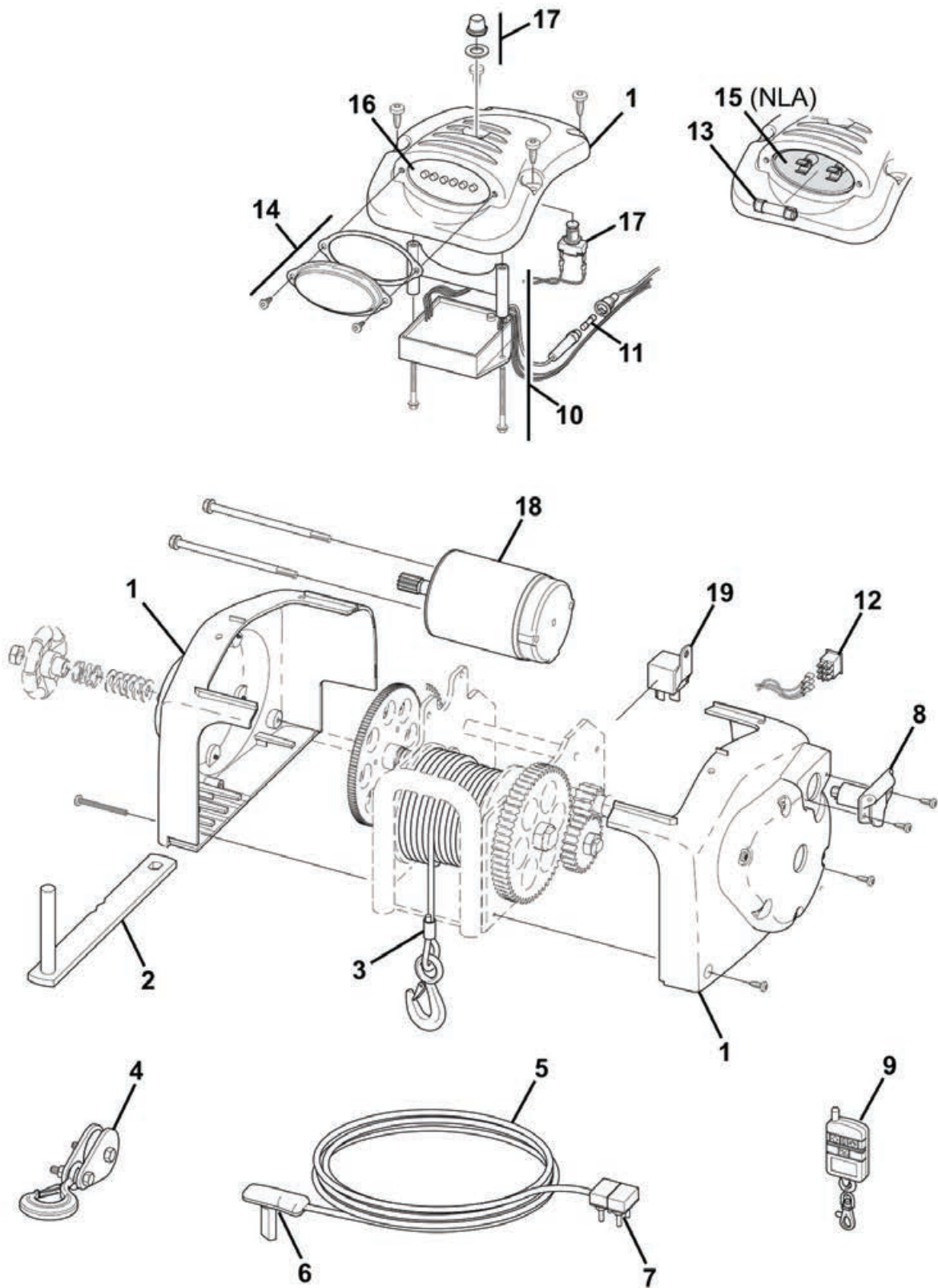
Dimensions are in (mm)

RC30 Powerwinch Trailer Winch Replacement Parts List

JPW Part No.	Supplier Part No.	Description	Item
PW001311	R001311	Cover Kit	1
PW5594700	P5594700AJ	Hand Crank Handle	2
PW7188800	P7188800AJ	Replacement Cable	3
PW7904300	P7904300AJ	Pulley Block Kit	4
PW7830201	P7830201AJ	Wire Harness w/ items 6 & 7	5
PW7810500	P7810500AJ	Plug, Wire Harness	6
PW7837300	P7837300AJ	Circuit Breaker, 60amp	7
PW7810300	P7810300AJ	Power Socket	8
PW001501	R001501	Key FOB Remote	9
PW001500	R001500	Receiver Module	10

JPW Part No.	Supplier Part No.	Description	Item
Standard Glass Fuse 5A 250V		Fuse, In-Line, 5A, 250V	11
Included in Item #10		Switch, Learn/Override	12
PW55908	P55908	Bulb	13
PW001312	R001312	Lens Replacement Kit	14
NLA use Item #16		Light Replacement Kit	15
PW001728	R001728	LED Light Kit	16
PW001320	R001320	Switch, Light	17
PW001295	R001295	Motor Assy	18
PW001317	R001317	Solenoid	19

RC30 Powerwinch Trailer Winch - Replacement Parts View



Tie Down S/S - Light Duty

This light duty ratchet strap with marine-grade stainless steel 'S' hooks is ideal for use with smaller tinnies. The webbing strap is a good thickness for durability, and is recommended for rear of boat use.



Part No.	Dimensions (L x W)	Lashing Capacity (kg)
JPW6580	4.5m x 25mm	200

Tie Down ("S" Hooks) - Light Duty

This ratchet has a rubber handle grip for operator comfort, thick webbing strap for reliable durability - an excellent all-rounder general use tie down.

- Suitable for small tinnies.
- Supplied as a pair.
- Plastic-coated 'S' hooks.



Part No.	Dimensions (L x W)	Lashing Capacity (kg)
JPW6584	1.5m x 25mm	350

Tie Down - Light Duty

This ratchet strap pair with marine-grade stainless steel 'S' hooks is suitable for the smaller tinny.

- Durable polyester webbing strap.
- Rear of boat use.
- Supplied as a pair.



Part No.	Dimensions (L x W)	Lashing Capacity (kg)
JPW6581	1.5m x 25mm	200

Tie Down ("S" Hooks) - Medium Duty

Excellent all-rounder for mid-sized applications (tradies, couriers, etc). Webbing strap offers durability and strength, and the 'S' hooks at both ends provide scratch resistance and hook protection.

- Plastic-coated 'S' hooks.



Part No.	Dimensions (L x W)	Lashing Capacity (kg)
JPW6585	6m x 38mm	500
JPW6586	6m x 50mm	600

Tie Down - Medium Duty

This buckle is excellent for strapping down small tinnies. The webbing strap offers stability over the transom. Easy to operate over lever buckle, and is a great alternative to the ratchet strap.

- Plastic-coated 'S' hooks at both ends for scratch resistance and hook protection.
- Supplied as a pair.



Part No.	Dimensions (L x W)	Lashing Capacity (kg)
JPW6582	1.6m x 50mm	500

Medium Duty Cam Buckle Tie Down

Easy-to-use metal die-cast buckle that's great for any small application as a universal strap.

- Polyester webbing for superior strength and durability.



Part No.	Dimensions (L x W)	Lashing Capacity (kg)
JPW6587	1.2m x 25mm	100
JPW6588	2.5m x 25mm	100
JPW6589	3.5m x 25mm	100

Tie Down - Light Duty 'S' Hooks

Light duty ratchet has a handy rubber grip for extra comfort while operating. The webbing strap is a good thickness for durability, making this an excellent all-rounder general use tie down.

- Plastic-coated 'S' hook.



Part No.	Dimensions (L x W)	Lashing Capacity (kg)
JPW6583	4.5m x 25mm	350

Tie Down Ratchet - L/Duty (MTD5)

General purpose ratchet strap, ideally suited for small tinnies.

- Thicker webbing than MTD25.
- Plastic-coated 'S' hooks on both ends.



Part No.	Dimensions (L x W)	Lashing Capacity (kg)
JPW6613	4.3m x 25mm	250

Tie Down Ratchet - Light Duty (MTD6)

Designed for any mid sized boat with large plastic-coated 'S' hooks on both ends.

- Most popular ratchet strap for its size.



Part No.	Dimensions (L x W)	Lashing Capacity (kg)
JPW6614	5.5m x 50mm	550

Tie Down - Over Boat (MTD6SS)

Popular ratchet strap for over boat tie down similar style to MTD39 but with stainless steel ratchet with unique swivel 'J' hook and stainless steel 'S' hook on the strap end.

- Suits mid-sized boats.



Part No.	Dimensions (L x W)	Lashing Capacity (kg)
JPW6607	5.5m x 50mm	550

Tie Down Ratchet Swivel 'J' Hooks (MTD33)

Heavy duty stainless steel ratchet with swivel 'J' hook. Connect quick and easy from ski hook on the boat straight to the trailer. Ideal for mid size boats and most popular for its size.

- Stainless steel hooks on both ends.
- Supplied as a pair.



Part No.	Dimensions (L x W)	Lashing Capacity (kg)
JPW6615	1.5m x 25mm	350

Tie Down - Over Boat (MTD5SS)

This light duty and good quality strap is suited for small tinnies and inflatable boats only. It is a similar style to the MTD5, but with a stainless steel ratchet and stainless steel 'S' hooks.



Part No.	Dimensions (L x W)	Lashing Capacity (kg)
JPW6609	4.3m x 25mm	250

Transom to Trailer Tie Down (MTD14)

High quality webbing with PVC-covered 'J' hooks each end and over centre buckle tensioner.



Part No.	Dimensions (L x W)	Lashing Capacity (kg)
JPW6621	1.5m x 25mm	150

Tie Down - Over Boat (MTD12)

Heavy duty polyester webbing over boat tie downs with adjustable stainless steel over centre buckle with a spring-loaded lock.

- Sold individually.
- PVC-coated 'S' hooks on each end.



Part No.	Dimensions (L x W)	Lashing Capacity (kg)
JPW6620	5.5m x 45mm	550

Tie Down Strap (MTD1)

For use as a lightweight restraining strap for roof racks with side-release buckle.

- General purpose strap for small articles (surfboards, etc).
- Supplied as a pair.



Part No.	Dimensions (L x W)	Lashing Capacity (kg)
JPW6610	2.5m x 25mm	50

Tie Down Cam Buckle (MTD3)

These medium weight roof rack straps are excellent for just about any use. They are versatile and easy to use.

- Die-cast alloy medium duty buckle.
- Made from polyester webbing for superior durability.
- Supplied as a pair.



Part No.	Dimensions (L x W)	Lashing Capacity (kg)
JPW6612	3.5m x 25mm	75

Heavy Duty Rubber Straps

Black natural rubber straps with high stretch (70-80%) and durability. Supplied complete with zinc-plated hooks and 'warning' stickers.

Part No.	Length (mm)
JPW6381	375
JPW6382	525
JPW6383	775



Trailer Jockey Wheel & Fixed Clamp Kit

Australian-made, zinc-plated nylon jockey wheels. Fixed clamp kit.

- Load capacity 350kg.
- Extension 250mm.
- 150mm (6") dia. rubber and plastic wheel (for basic applications on firm surfaces).



Part No.	Description
JPW6550	Jockey Wheel & Clamp Kit
JPW6565	150mm Nylon Wheel

Trailer Jockey Wheel & Fixed Clamp Kit

Hard wearing, solid rubber wheel makes it easy to manoeuvre the trailer on firm surfaces. Fixed clamp kit, zinc-plated.

- Load capacity 350kg.
- 250mm extension.
- 250mm solid rubber wheel.



Part No.	Description
JPW6553	Jockey Wheel & Clamp Kit
JPW6566	250mm Solid Rubber Steel Rimmed

Trailer Jockey Wheel & Swivel Clamp Kit

Hard wearing, solid rubber wheel makes it easy to manoeuvre the trailer on firm surfaces. Swivel clamp kit, zinc-plated.

- Load capacity 350kg.
- 250mm extension.
- 250mm solid rubber wheel.



Part No.	Description
JPW6554	Jockey Wheel & Swivel Kit
JPW6566	250mm Solid Rubber Steel Rimmed

Trailer Jockey Wheel Swing-Up Swivel Bracket

Zinc-plated, adjustable, swivel-up self-locking bracket allowing rotation to horizontal for towing.

- Solid rubber wheel 150mm (6").
- Load capacity 350kg.
- Extension 250mm.



Part No.	Description
JPW6564	Trailer Jockey Wheel Swing-Up Swivel Bracket

Pneumatic Trailer Jockey Wheel & Swivel Clamp Kit

Hard wearing and suitable on firm or soft surfaces. The pneumatic rubber wheel makes it easy for the trailer to be manoeuvred on soft surfaces such as sand.

- Load capacity 350kg
- Extension 250mm.
- 250mm pneumatic rubber wheel.
- Zinc plated swivel clamp kit.



Part No.	Description
JPW6556	Pneumatic Jockey Wheel & Swivel Kit
JPW6567	250mm Pneumatic Rubber Steel Rimmed
JPW6568	Inner Tube suit 250mm Pneumatic Wheel

Premium 8" Jockey Wheel Swing-Up Bolt/Weld Clamp

Quality zinc-plated bolt/weld, swivel type mount (handle designed to swivel with minimum effort).

- Sunraysia pattern steel rim (powder-coated finish).
- Low-profile solid tyre.
- Sealed ball bearings.
- Max load 350kg.
- Fold away handle.
- Extension 250mm.

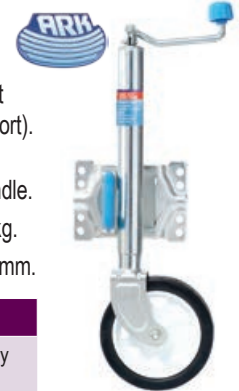


Part No.	Description
JPW6547	Premium 8" Swing-Up Jockey Wheel - Bolt on/Weld On Clamp

Premium 8" Jockey Wheel Swing Up - U Bolt Clamp

Quality zinc-plated U-Bolt, swivel type mount (handle designed to swivel with minimum effort).

- Sunraysia pattern steel rim (powder-coated finish).
- Low profile solid tyre.
- Sealed ball bearings.
- Fold away handle.
- Max load 350kg.
- Extension 250mm.



Part No.	Description
JPW6548	Premium 8" Swing-Up Jockey Wheel - U-Bolt Clamp

Extreme Off-Road Jockey Wheel

Probably the toughest, most advanced / versatile jockey wheel in Australia today. A highly manoeuvrable trailing yoke design with five different yoke locking positions. Rust-resistant.

- Magnetic, removable, side-winding handle.
- Heavy duty body with 750kg rating.
- Four adjustable height positions.
- Heavy duty swivel clamp.
- Easy-pivot trailing yoke design.
- Dual-wheel with sealed bearings & off-road tread.



Part No.	Description
JPW6549	Extreme Off-road Jockey Wheel with 8" Wheel

Replacement Trailer Jockey Wheel Handle

For Ark jockey wheels

- Zinc-plated finish.
- Suits JPW6550, JPW6553, JPW6554 and JPW6556.



Part No.
JPW6551

Trailer Jockey Wheel Clamp Only

Clamp bracket for ARK jockey wheels. Allows for one wheel to be used on multiple trailers.

- Zinc-plated finish.

Part No. • Suits JPW6550, JPW6553, JPW6560 JPW6554 and JPW6556.



Swivel Clamp to suit Jockey Wheels

Zinc-plated finish.

Part No. • Suits JPW6550, JPW6553, JPW6569 JPW6554 and JPW6556.



Trailer Wheel Bearing Mates Protector

Constant lubricating bearing caps with spring-loaded centre mechanism that continually supplies grease to the inner hub and bearings.

Part No.	Type	Dia (mm)	Length (mm)
JPW6570	No Dust Cap	45.2	53
JPW6572	With Dust Cap	45.2	53



JPW6570

JPW6572

Wheel Bearing Protectors / Dust Cover

To protect lubricating bearing caps when engaged with inner hub and bearings.

- Suits all hubs with LM series bearings.
- For 5 1/2-inch and 6-inch disc, 9-inch and 10-inch hubs.
- Black PVC or zinc-plated.

Part No.	Type
JPW6571	Black PVC
JPW6577	Zinc-Plated



JPW6571

JPW6577

Wheel Bearing Kits

The complete kit includes a marine-grade waterproof seal, small and large bearings, split pin to suit trailer axle, and a stainless steel housing.

Part No.	Suits Brand
JPW6573	Holden 39mm Rnd & 40mm Sq Axle
JPW6574	Ford 45mm Square Trailer Axle



Tow Balls - Trailer

Heavy duty solid tow balls made from forged steel to Australian standards.



Part No.	Type	Ball Dia	Shaft Dia.	Shaft Length (mm)	Towing Capacity (kg)
JPW6250	Chrome Plated	50mm (2")	7/8"	51	3500
JPW6251	Black	50mm (2")	1"	51	2270
JPW6252	Zinc	47mm (1 7/8")	7/8"	51	2270

Trailer Coupling Lock

Heavy duty two position locking system. Secures trailer when attached to vehicle and when unattached.

- Zinc-plated steel painted black.
- Supplied with padlock.

Part No.	Dimensions (mm) (L x W x H)
JPW6260	50 x 150 x 205



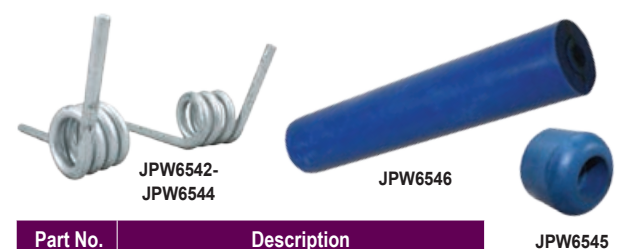
Ezi Guide Boat Loader

The Ezi Guide boat loading system will simply launch and assist boat retrieval by always guiding your boat safely on to the centre of your trailer.



Part No.	Description
JPW6539	Ezi Guide Boat Loader suit 4.2 - 4.8m Boat
JPW6540	Ezi Guide Boat Loader suit 4.8 - 6m Boat
JPW6541	Ezi Guide Boat Loader suit 6 - 8.5m Boat

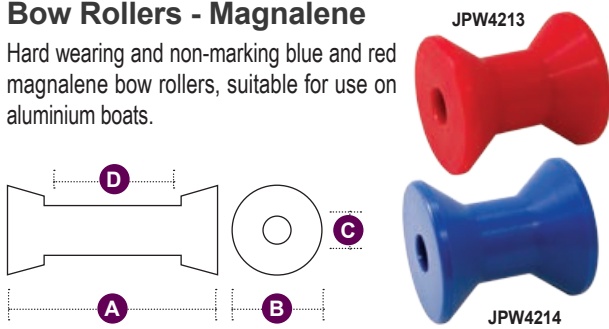
Ezi Guide Boat Loader Spare Parts



Part No.	Description
JPW6542	Springs to suit Ezi Guide 4.2 - 4.8m
JPW6543	Springs to suit Ezi Guide 4.8 - 6m
JPW6544	Springs to suit Ezi Guide 6 - 8.5m
JPW6545	Ezi Guide Top Roller End Cap
JPW6546	Ezi Guide Main Roller

Bow Rollers - Magnalene

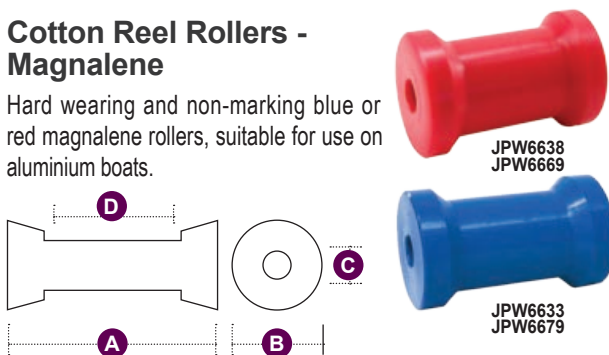
Hard wearing and non-marking blue and red magnalene bow rollers, suitable for use on aluminium boats.



Part No.	Type	Colour	Dimensions (mm)			
			A	B	C	D
JPW4213	3" Bow Roller	Red	76	70	17	28
JPW4214	3" Bow Roller	Blue	78	70	17	28

Cotton Reel Rollers - Magnalene

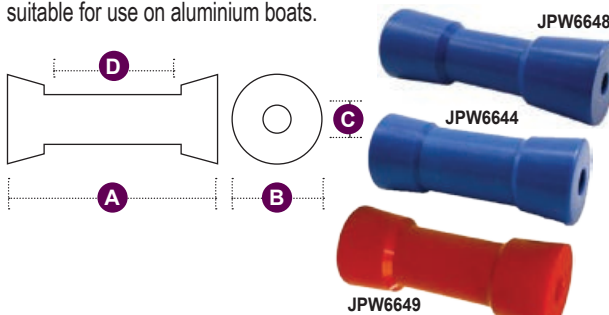
Hard wearing and non-marking blue or red magnalene rollers, suitable for use on aluminium boats.



Part No.	Type	Colour	Dimensions (mm)			
			A	B	C	D
JPW6633	4.5" Cotton Keel	Blue	115	70	17	67
JPW6638	4.5" Cotton Keel	Red	115	70	17	60
JPW6679	6" Cotton Keel	Blue	150	70	17	85
JPW6669	8" Cotton Keel	Red	200	70	17	130

Sydney Keel Rollers - Magnalene

Hard wearing and non-marking blue or red magnalene rollers, suitable for use on aluminium boats.



Part No.	Type	Colour	Dimensions (mm)			
			A	B	C	D
JPW6646	4" Sydney Keel	Blue	100	60	17	35
JPW6647	4" Sydney Keel	Red	100	55	17	40
JPW6644	6" Sydney Keel	Blue	150	60	17	50
JPW6645	6" Sydney Keel	Red	155	60	17	70
JPW6648	8" Sydney Keel	Blue	200	70	17	60
JPW6649	8" Sydney Keel	Red	200	70	17	60

Rubber Rollers

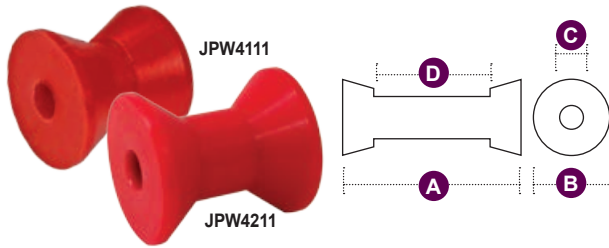
Black rubber rollers are UV-stabilised and suitable for fibreglass boats.



Part No.	Type	A (mm)	B (mm)	C (mm)	D (mm)
JPW6654	4.5" Cotton Keel	110	70	17	50
JPW6656	6" Cotton Keel	150	70	17	90
JPW6664	8" Cotton Keel	200	70	17	140
JPW6657	6" Jumbo Keel	145	120	17	60
JPW6653	6" Sydney Keel	150	60	17	62
JPW6658	7" Jumbo Keel	175	125	17	65
JPW6651	6" Deep V Keel	150	90	17	40
JPW6659	8" Concave	200	70	20	-
JPW6660	12" Concave	305	95	25	-
JPW6661	Tapered Cap	63	77	17	-
JPW6662	Round Cap	63	77	17	-

Bow Roller

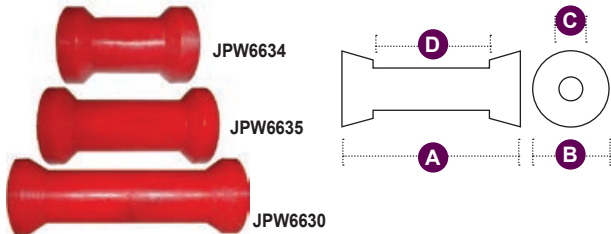
Replacement bow rollers made from hard wearing red polyurethane.



Part No.	Type	Dimensions (mm)			
		A	B	C	D
JPW4111	2" Bow Roller	50	50	13	13
JPW4211	3" Bow Roller	75	70	17	27

Keel Trailer Roller

Poly rollers are made from hard wearing red polyurethane, these rollers outlast conventional rollers, are less abrasive and reduce hull marking. Unbushed. Suitable for fibreglass boats.

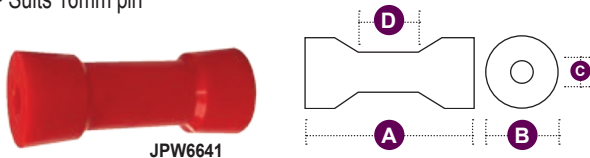


Part No.	Type	Dimensions (mm)			
		A	B	C	D
JPW6634	4 1/2" Cotton Keel	110	75	17	75
JPW6635	6" Cotton Keel	150	75	17	97
JPW6630	8" Cotton Keel	200	75	17	145

Fibreglass Keel Roller - Sydney 6"

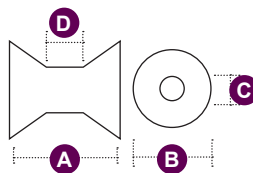
Poly roller suitable for fibreglass boats.

- Suits 16mm pin



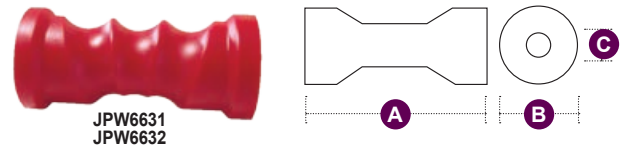
Part No.	Type	Dimensions (mm)			
		A	B	C	D
JPW6641	6" Sydney Keel	150	65	17	55

Super Keel Roller



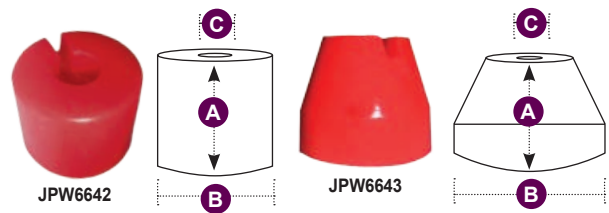
Part No.	Type	Dimensions (mm)			
		A	B	C	D
JPW6636	7" Super Keel	175	120	17	60
JPW6637	6" Super Keel	150	90	17	50

Keel Roller - Self Centering Soft Poly



Part No.	Type	Dimensions (mm)		
		A	B	C
JPW6631	6" Self Centering	150	70	17
JPW6632	8" Self Centering	200	70	17

Fibreglass Transom Roller Soft Poly

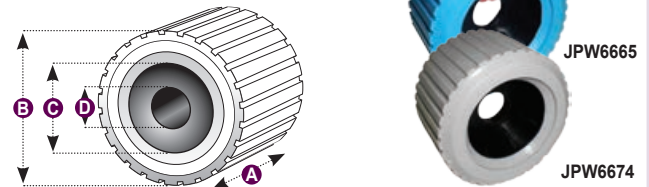


Part No.	Type	Dimensions (mm)		
		A	B	C
JPW6642	Round	65	75	17
JPW6643	Tapered	65	75	17

Wobble Rollers - Poly

Hard wearing, non-marking polyurethane wobble rollers.

- For use on aluminium and fibreglass boats.

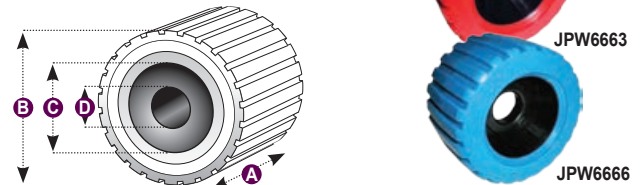


Part No.	Colour	A (mm)	B (mm)	C (mm)	D (mm)
JPW6652	Red / Black	75	100	25	15
JPW6665	Blue / Black	75	100	25	15
JPW6674	Grey / Black	75	100	25	15

Wobble Rollers - Poly Gloss

Hard wearing, non-marking polyurethane wobble rollers.

- Use on aluminium & fibreglass boats.

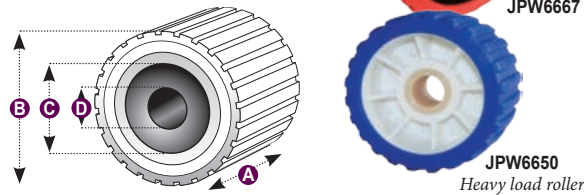


Part No.	Colour	A (mm)	B (mm)	C (mm)	D (mm)
JPW6663	Red / Black	75	110	26	15
JPW6666	Blue / Black	75	110	26	15

Wobble Rollers - Poly

Hard wearing, non-marking polyurethane wobble rollers.

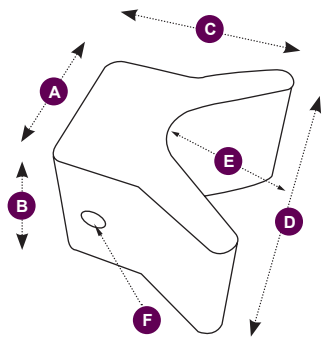
- For use on aluminium and fibreglass boats.



Part No.	Colour	A (mm)	B (mm)	C (mm)	D (mm)
JPW6667	Red / Black	73	110	25	15
JPW6650	Blue / White	73	125	25	38

Bow Wedges

Heavy duty black rubber and polyurethane trailer V-wedges (bow stops).



Part No.	A (mm)	B (mm)	C (mm)	D (mm)	E (mm)	F (mm)
JPW6909	55	52	80	80	40	13
JPW6910	60	50	90	115	40	13
JPW6911	75	75	95	120	50	13
JPW6912	105	100	95	145	48	13
JPW6921	70	55	80	80	48	14
JPW6923	98	55	80	110	45	16
JPW6924	45	45	75	78	32	13
JPW6925	90	60	75	100	40	14
JPW6927	70	35	85	105	53	14

Trailer Strips - Magnalene

Hard durable UV-treated high density polyethylene product with excellent slip properties for use on boat or jet ski trailers.

- An alternative to trailer rollers.
- Long life guarantee.

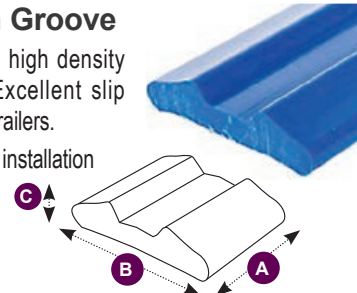


Part No.	Colour	Dimensions (mm) (A x B x C)
JPW6763	Blue	3000 x 50 x 15
JPW6764	Red	3000 x 50 x 15
JPW6765	Blue	1500 x 50 x 15
JPW6766	Red	1500 x 50 x 15

Trailer Strip with Groove

Hard durable UV-treated high density polyethylene product. Excellent slip properties for use on boat trailers.

- Grooved skids allow easy installation without the need to counter sink fixings.
- Long life guarantee

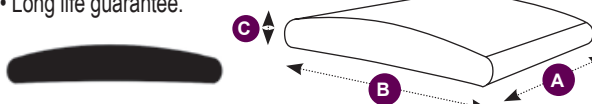


Part No.	Colour	Dimensions (mm) (A x B x C)
JPW6753	Blue	3000 x 50 x 12
JPW6754	Red	3000 x 50 x 12

Heavy Duty Trailer Strips - Magnalene

Hard durable UV-treated high density polyethylene with excellent slip properties for use on boat trailers.

- Can be used as an alternative to trailer rollers.
- Long life guarantee.

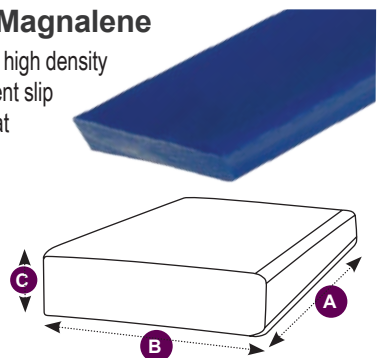


Part No.	Colour	Dimensions (mm) (A x B x C)
JPW6750	Blue	3000 x 57 x 18
JPW6751	Red	3000 x 57 x 18

Trailer Plank - Magnalene

Hard durable UV-treated high density polyethylene with excellent slip properties for use on boat trailers.

- Use as an alternative to trailer rollers.
- Long life guarantee.



Part No.	Colour	Dimensions (mm) (A x B x C)
JPW6758	Blue	3000 x 70 x 40
JPW6759	Red	3000 x 70 x 40

Outboard Motor Trolley

Features a plated steel frame with plastic end caps, soft rubber hand grips, galvanised frame support arms and a large wooden support board.

- Easy to assemble flat-pack kit.
- Suits standard two-stroke motors.
- 6" wheels.

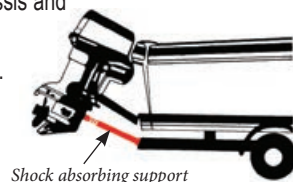


Part No.	Motor Power (HP)	Board Dimensions (mm) (L x W x H)
JPW6434	20	390 x 154 x 36
JPW6435	30	390 x 154 x 36

Outboard Motor Support Bracket

Heavy gauge plated steel tubing with shock absorbing spring coil.

- EDC finish for rust resistance.
- U-end hooks over the trailer chassis and the V-end supports the motor leg.
- Rubber securing strap with hooks.



Part No.	Adjustable Length (mm)	Motor Power (HP)
JPW6438	510 - 770	Up to 150

Jockey Wheel U Bolts

Jockey wheel 'U' bolts.

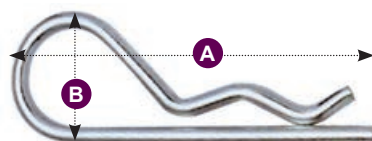
- Galvanised.
- Supplied in pairs / includes nuts.



Part No.	Width (I.D.) (mm)	Length (I.D.) (mm)	Thread Length (mm)	Thread Dia. (mm)	Suit Trailer Drawbar (mm)
JPW6254	50-55	70	45	12	50 x 50
JPW6255	75-80	70	45	12	75 x 50
JPW6256	100-105	70	45	12	100 x 50

R-Clips - Stainless Steel

316 grade stainless steel trailer hair pins.

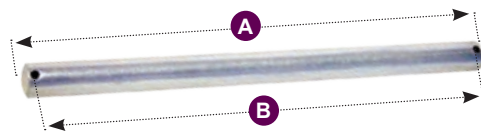


Part No.	Ø (mm)	A (mm)	B (mm)
JPW4680	2.0	48	15
JPW4681	2.5	54	16
JPW4682	3.0	60	21.5

NOTE: Only available in a bag of 10.

Trailer Roller Pins

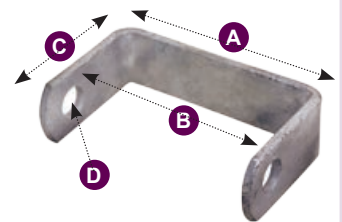
Hot-dipped galvanised trailer roller pins to suit different roller sizes.



Part No.	(A) Overall Length		(B) Hole Centre (mm)	Pin Dia (mm)	Bracket to suit
	mm	Inch			
JPW6701	113	4 1/2"	100	16	-
JPW6704	280	11"	270	16	-
JPW6706	145	6"	135	16	JPW6715 JPW6716
JPW6707	203	8"	193	16	JPW6718
JPW6708	240	9 1/2"	233	16	JPW6718

Trailer Roller Brackets

Hot-dipped galvanised trailer roller brackets to suit different roller sizes.



Part No.	Bracket Size (mm)				Pins to Suit
	A	B	C	Ø D	
JPW6715	120	110	75	17	JPW6706
JPW6716	130	115	75	17	JPW6706
JPW6717	170	160	75	17	JPW6707
JPW6718	220	205	75	17	JPW6708
JPW6719	220	205	75	22	-

Boat Roller Washers & Split Pins

- Pack of six stainless steel washers with split pins.
- Suits 16mm to 18mm spindle.



Part No.
JPW6700

End Cap Rollers - Magnalene

Hard wearing and non-marking blue or red magnalene rollers, suitable for use on aluminium boats.

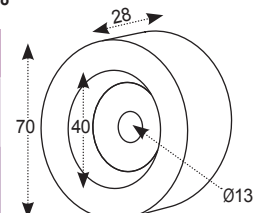


JPW6680



JPW6668

Part No.	Type	Colour
JPW6668	Round End Cap	Red
JPW6680	Round End Cap	Blue



HOW TO ORDER

Select products from the catalogue or through our website using the product categories or search function. Make note of the part numbers to facilitate ordering.

ONLINE



Login to our website
with your customer username & password.

www.jpwmarine.com.au

If you know our product codes, use the
'Quick Order' form for a speedy checkout.

PHONE



Call us during standard
Western Australian business hours on

(08) 6253 3000

to place order by phone.

EMAIL



Email your order to

orders@jpwmarine.com.au



JPW MARINE

AUSTRALIA'S LEADING BOATING AND MARINE WHOLESALER

SAFETY EQUIPMENT 11

SERVICING INFLATABLE JACKETS223

AUSTRALIAN STANDARDS 180

SPARE PARTS CHART FOR INFLATABLE JACKETS 180

LIFE JACKETS - FOAM FILLED

Bambino (PFD Level 100)	181
Coastal (PFD Level 150)	181
Cyclone (PFD Level 50S)	182
Kayak (PFD Level 50)	182
Neoprene Child & Adult (PFD Level 50S)	182
Nylon Child & Adult (PFD Level 50S)	182
Pet/Dog Jacket	184
Replacement Belt Buckles & Webbing	184
Seamaster (PFD Level 100)	181
Standard (PFD Level 100)	181

AXIS INFLATABLE LIFE JACKETS

Commercial 200 Hammar Auto	184
Ocean 150 Auto	183
Offshore Manual 150	183
Offshore Pro 150 Hammar Auto	184
Offshore Pro 150 Mk2 Automatic	184
Offshore Pro 150 Mk2 Manual	183
Offshore Pro 150 with Harness	184
Pacific 150	183
Rebel 100 Junior	183
Waist Belt 100	183

JACKET ACCESSORIES & REPLACEMENT PARTS

Crotch Straps	184
Inflatable PFD Firing Indicators	185
Life Jacket Light	185
Recharge Kits	185
Replacement Auto Cartridge	185
Replacement Inflatable Cylinders	185
Safety Whistle	185

SAFETY EQUIPMENT

Anti-Slip Tapes	186
Bailing Scoops	187
Binoculars	187
Buoyancy Foam	187
Cut Off & Kill Switches	186
Fire Extinguishers	186
Flare Kits	185
Galvanised Buckets	187
Hand Held Air Horn	185
LED Waterproof Floating Torch	185
Lifebuoy Holders	186
Lifebuoys	186
Safety Equipment Bag	185

GME

Antennas	189
Radios	188
Speakers	188 - 189



Australian Standards for personal flotation devices (PFDs)

Standards Australia has introduced Australian Standard 4758.1, for personal flotation devices. From 1 February 2010 personal flotation devices made under this standard will be accepted for use in Western Australia as part of your safety equipment requirement. Australian Standard 4758.1 has a rating system for personal flotation devices.

HOW THE CURRENT STANDARD COMPARES WITH OLDER RATINGS

Old Rating: **COASTAL LIFE JACKET**

Current **Standard AS 4758.1** equivalent:



Level 275



Level 150

Old Rating: **PFD Type 1**

Current **Standard AS 4758.1** equivalent:



Level 275



Level 150



Level 100

Old Rating: **PFD Type 2**

Current **Standard AS 4758.1** equivalent:



Level 50

Old Rating: **PFD Type 3**

Current **Standard AS 4758.1** equivalent:



Level 50 Special Purpose

Spare Parts for Inflatable Jackets

Type	24gm CO ²	33gm CO ²	38gm CO ²	Auto Cartridge	Hammar Cartridge
Rebel 100	JPW7550	-	-	-	-
Rebel 100 Auto	JPW7550	-	-	JPW7556	-
Waist Belt 100	JPW7550	-	-	-	-
Inshore 100	JPW7550	-	-	-	-
Offshore 150	-	JPW7551	-	-	-
Offshore Pro 150 MK2	-	JPW7551	-	-	-
Offshore Pro 150 w/ Harness	-	JPW7551	-	-	-
Offshore Pro 200	-	-	JPW7552	-	-
Ocean 150	-	JPW7551	-	-	-
Ocean 150 Auto	-	JPW7551	-	JPW7556	-
Ocean Pro 150	-	JPW7551	-	JPW7556	-
Ocean Pro 200	-	-	JPW7552	JPW7556	-
Commercial 200	-	-	JPW7552	-	-
Commercial 200 Auto	-	-	JPW7552	JPW7556	-
Offshore Pro 150 Hammar	-	Cylinder included with cartridge	-	-	JPW7558
Ocean Pro 200 Hammar	-	-	Cylinder included with cartridge	-	JPW7559
Commercial 200 Hammar	-	-	Cylinder included with cartridge	-	JPW7560

Servicing Inflatable Jackets

All Axis Jackets can be returned to JPW for service requirements.

- Service charge according to jacket activation type.
- All freight costs will be at jacket owner's expense.

Part No.	Description
JPW7568	Service of Manual Jacket & Parts Required
JPW7569	Service of UML Auto Jackets & Parts Required
JPW7571	Service of Hammar MA1 Hydrostatic Auto Jackets & Parts Required

Standard Block Level 100 Jackets - Adult & Junior



Fully approved AS4758.1 100 Newton jackets in multi-fit adult or junior size. Jacket is split at the front and head hole for easy donning.

- Nylon outer fabric with closed cell foam inner flotation.
- Reflective tape whistle and webbing belt with snap-lock buckle.
- Child range fitted with crotch straps to ensure the child does not fall through.



Adult

Part No.	Size	Weight Range (kg)
JPW7401	Adult Multi-fit	40 - 70+
JPW7402	Junior	15 - 40



BAMBINO Level 100 Foam Child Jackets



For children between 1-4 years. Comfortable and snug fit with a large buoyant collar, reflective patches and a lifting handle plus two 25mm straps to keep the child secure.

- Wide neoprene crutch support prevents the child from falling out of the jacket.
- AS4758.1 (XXS child approved 100S).



Part No.	Size	Weight Range (kg)
JPW7405	XXS Child	5-10 (Level 100S)
JPW7403	XS Child	10-15
JPW7404	S Child	15-25



Coastal Level 150 Life Jackets



Approved for use in coastal waters on commercial vessels. Suitable for adults 40kg and over. Square design for compact storage.

- Closed cell foam encased in a tough nylon rescue orange material for good buoyancy and better visibility.
- Includes pea-less whistle, reflective tape, light attachment point and securing straps.
- Uniform Shipping Law compliant for use nationally / AS4758.1 approved.



Part No.	Size	Weight Range (kg)
JPW7400	Adult Multi-fit	40 - 70+



AQUASPORT Level 50 Foam Jackets



Lightweight nylon over padding for a level 50 rating buoyancy or PFD2 type jacket. For buoyancy without bulk; ideal for sailing, canoeing, flat water sports etc.

- Smallest size features a crutch strap to prevent the child falling through the jacket.
- Meets AS4758.1 Australian Standards.



Part No.	Size	Weight Range (kg)
JPW7435	Child	15-25
JPW7436	Junior	25-40
JPW7437	S Adult	40-60
JPW7438	M Adult	70+
JPW7439	L Adult	70+
JPW7440	XL Adult	70+



SEAMASTER Level 100 Foam Jackets

Meets minimum standards required for all vessels when boating.

- Internal EPA foam and nylon material outer shell for lightweight comfort.
- Child range fitted with crotch straps to ensure the child does not fall through.
- Meets AS4758.1 Australian Standards.

Part No.	Size	Weight Range (kg)	Crotch Strap
JPW7407	XS Child	10-15	Yes
JPW7408	Child	15-25	Yes
JPW7415	S Junior	15-40	No
JPW7409	Junior	25-40	No
JPW7410	S Adult	40-60	No
JPW7411	M Adult	70+	No
JPW7412	L Adult	70+	No
JPW7413	XL Adult	70+	No



Adult



Junior with crotch strap



Nylon Vest Level 50S - Child, Junior & Adult

Attractive nylon outer jackets in bright colour combinations. Ideal jacket for waterskiing, jetskiing, canoeing and any watersports in enclosed sheltered waters.

- Three adjustable belts and multiple thin layers of foam for comfort and fit.
- Approved to AS4758.1 Australian Standards.



Part No.	Size	Weight Range (kg)
JPW7455	Child	15-25
JPW7456	Junior	25-40
JPW7457	S-M Adult	40-60
JPW7458	L Adult	60+
JPW7459	XL Adult	60+
JPW7460	XXL Adult	60+
JPW7461	XXXL Adult	60+

CYCLONE Level 50S Nylon Vest

Basic multi-fit, lightweight nylon vests available in a range of bright colours.

- Approved to AS4758.1.



Part No.	Size	Weight Range (kg)
JPW7450	Child	15-25
JPW7451	Junior	25-40
JPW7452	S Adult	40-60
JPW7453	M-L Adult	60+
JPW7454	XL-XXL Adult	60+

KAYAK Level 50 Vests

Comfortable fit with large arm holes for water sport activities including kayaking, canoeing and sailing. Body wrapping ergonomically shaped torso, and cross-chest cinch harness eliminate ride-up and fit the vest lower on the torso for full mobility, buoyancy and comfort.

- Features two handy zip front pockets.
- Approved to AS4758.1 Australian Standards.



Part No.	Size	Weight Range (kg)
JPW7441	Junior	25-40
JPW7442	S Adult	40-70
JPW7443	M-L Adult	70+
JPW7444	XL-XXL Adult	70+

NEOPRENE Level 50S Vests

Multi-layered inner foam with neoprene exterior for superior comfort. Great for waterskiing, jetskiing, canoeing and most watersports in enclosed sheltered waters. Available in a range of attractive colour combinations.

- Two adjustable waist straps.

Part No.	Size	Weight Range (kg)
JPW7463	S Child	10-15
JPW7464	Child	15-25
JPW7465	Junior	25-40
JPW7466	Junior +	25-50
JPW7472	XS Adult	40-70
JPW7467	S Adult	60-70+
JPW7468	M Adult	70+
JPW7469	L Adult	70+
JPW7470	XL Adult	70+
JPW7471	XXL Adult	70+



REBEL Junior 100 Inflatable Jacket - Manual

For the active young boater giving freedom of movement and comfort when boating. Soft neoprene collar with tough 600-denier cover for long wearing durability.

- Suits body weights of 25-50kg.
- 100 newtons of buoyancy.
- Velcro closure & removable crotch strap.
- UML Mini Manual operating system.
- AS4758.1 approved.



Part No.	Description	Colour
JPW7515	Rebel 100 - Manual	Blue
JPW7516	Rebel 100 - Manual	Red

REBEL Junior 100 Inflatable Jacket - Automatic

Features as above but with UML Mk5 Automatic operating system.

Part No.	Description	Colour
JPW7517	Rebel 100 - Automatic	Red



WAIST BELT 100 Manual Inflatable Jacket

Ultra lightweight compact jacket worn around the waist for maximum movement & comfort whilst boating or fishing. Suits most average sized adults. Only classed as a PFD when worn over the head - not when still in the waist belt pouch.

- UML mini manual pull cord inflation system - gas cylinder with back-up oral inflation tube.
- Reflective tape & whistle with lanyard.
- 100 newtons of buoyancy.
- AS4758.1 approved.



Part No.
JPW7530

PACIFIC 150 Inflatable Jacket - Manual

Very lightweight, basic model for the active boater giving freedom of movement and comfort. Multi-fits all adults.

- UML mini manual pull cord inflation system - gas cylinder with back-up oral inflation tube.
- Tough outer with velcro closure. Ergonomic design and neoprene collar for maximum comfort.
- 150 newtons of buoyancy.
- AS4758.1 approved.



Part No.	Description	Colour
JPW7500	Pacific 150 - Manual	Red

OFFSHORE 150 Inflatable Jacket - Manual

Our most popular inflatable jacket. Full length, generously sized, manually inflated and suitable for all adults. Lightweight with tough 600-denier outer cover with velcro closure and comfortable neoprene collar.

- UML mini manual pull cord inflation system - gas cylinder with back-up oral inflation tube.
- 150 newtons of buoyancy.
- Reflective tape patches.
- AS4758.1 approved.

Part No.	Colour
JPW7475	Red
JPW7476	Grey
JPW7477	Blue
JPW7478	Pink



OCEAN 150 Inflatable Jacket - Automatic

Full length, generously sized and ideal for use on yachts or powerboats.

- Auto-inflation - UML pro-sensor with window for visual status of arming.
- 600 denier outer & velcro closure.
- 150 newtons of buoyancy.
- Neoprene neck lining.
- 38mm wide webbing on waist, shoulder and grab straps.
- Zip-front pocket/reflective tape patches.
- Strong buckle with self-adjusting belts.
- AS4758.1 approved.

Part No.	Colour
JPW7481	Red/Grey

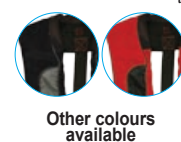


OFFSHORE PRO 150 MK2 Inflatable Jacket - Manual

Upmarket jacket with additional features including a shaped soft neoprene collar for ultimate comfort, a handy utility pocket and visual arming window.

- Manual inflation - UML pro-sensor with arming status window.
- Compact design and ergonomic shape for ease of wear.
- Soft neoprene collar for maximum comfort during active use.
- Reflective piping for night visibility.
- 150 newtons of buoyancy.
- Attachment at back - for fitting optional crotch strap.
- AS4758.1 approved

Part No.	Colour
JPW7522	Blue/Black
JPW7523	Black/Grey
JPW7524	Red/Black



OFFSHORE Pro 150 HAMMAR - Auto

Unique HAMMAR MA1 hydrostatic inflation operating system requires water pressure for activation - suited to extremely wet conditions. Fits all adults with an ergonomic design with a soft neoprene collar for extra neck support / comfort, plus reflective piping for better night time visibility.

- Velcro closure.
- 150 newtons of buoyancy.
- AS4758.1 approved.
- D-buckle fitted at back, for optional crotch strap.



Part No.	Colour
JPW7505	Black/Grey

OFFSHORE PRO 150 MK2 Inflatable Jacket - Automatic

The Offshore Pro 150 MK2 Auto has all the same features as its manual versions with the addition of auto-activation.

- Auto-inflation - UML pro-sensor with arming status window.
- Compact design / ergonomic shape.
- Soft neoprene collar for maximum comfort during active use.
- Reflective piping for night visibility.
- 150 newtons of buoyancy.
- Attachment at back for fitting optional crotch strap.
- AS4758.1 approved.



Part No.	Colour
JPW7528	Red/Blue

COMMERCIAL 200 Inflatable Jacket

Designed for the workplace with a hi-viz, flame retardant, anti-static lightweight outer cover. 3 activation options - manual, auto or HAMMAR system which is suited to extremely wet conditions and requires water pressure for activation.

- 200N of buoyancy.
- 300 Denier - conductive fabric: 98% Polyester, 2% carbon anti-static.
- Simple to open zip closure.
- UML Pro-Sensor operating system, choice of manual or automatic operation.
- HAMMAR MA1 Hydrostatic operating system for the HAMMAR jacket (water pressure activation) with a window for visual of arming status
- AS1906 4:2010 compliant hi-viz material.
- EN 533 Approved - protection against heat and flame.
- Optional crotch strap available.
- AS4758.1 approved.



Part No.	Inflation
JPW7526	Automatic
JPW7527	HAMMAR

OFFSHORE PRO 150 with Harness Inflatable Jacket

All the comfort features of the Offshore Pro 150 standard with an AS2227 approved integrated safety harness for racing or cruising. Compact, ergonomic design for ease of wear.

- Auto or manual-inflation - UML pro-sensor with arming status window.
- Soft neoprene collar for maximum comfort.
- Reflective piping for night visibility.
- 150 newtons of buoyancy.
- Heavy duty buckle with D-ring for safety life-line tether.
- AS4758.1 approved.

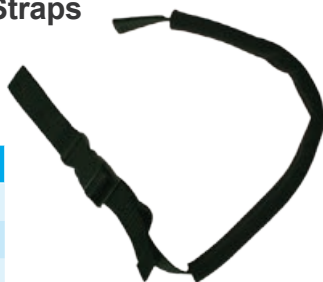


Part No.	Description	Colour
JPW7503	Manual & Harness	Red/Black
JPW7504	Auto & Harness	Red/Black

Life Jacket Crotch Straps

Webbing belt with soft neoprene comfort cover and snap buckles.

Part No.	Type
JPW7487	Junior Foam
JPW7488	Junior - Inflatable
JPW7489	Adult - Inflatable



NYLON DFD Vest - Dog Flotation Jacket

Perfect for your best friend - includes a handle for easy retrieval. Sizes to suit any dog.



Part No.	Size	Weight Range (kg)	Chest Size (cm)
JPW7490	Small	Up to 4.5	22-35
JPW7491	Medium	4.5 - 16	35-60
JPW7492	Large	16 - 34	60-91
JPW7493	Extra Large	34+	91-132

Universal Inflatable PFD Recharge Kit

Suits almost all inflatable jackets on the market - using UML (English) or Halkey Roberts (USA) inflation system.

- Contains 33g CO² cylinder with 1/2" UNF thread and the option of 3 different safety clips.

Part No.

JPW7485



Inflatable Life Jacket CO² Cylinders

Suits most inflatable jackets on the market.

Part No.	Size (g)	Thread Size	Buoyancy
JPW7550	25	1/2" UNF	100
JPW7551	33	1/2" UNF	150
JPW7552	38	1/2" UNF	190



Replacement Auto Inflator Cartridge

For use with UML inflators - replacement gas cylinder purchased separately.

Part No.

JPW7556



Re-Charge Cylinder Kits for HAMMAR Inflatable Life Jackets

Re-arming kits will fit all automatic jackets that use the HAMMAR MA-1 type (hydrostatic) inflator.

Part No.	Description
JPW7558	Recharge Kit with 33g gas cylinder
JPW7559	Recharge Kit with 38g gas cylinder
JPW7560	Recharge Kit with 60g gas cylinder



Life Jacket Light SOLAS

Suitable for all lifejackets - automatically activates when the sensor makes contact with water. SOLAS approved 0474/11.

- Can be activated manually.
- Oral tube mount bracket supplied.

Part No. Dimensions L x W x H (mm)

JPW7486 45 x 19 x 31



Inflatable PFD Firing Indicators

Firing indicator clips to suit inflatable jackets.

Part No. Description

JPW7565 UML MK5 - New Style
JPW7566 UML Mini - Firing Indicator



Safety Whistle

Plastic pea-less whistle in orange safety colour.

Part No.

JPW1117

- Complete with jacket attachment clip and hole for a lanyard.



LED Waterproof Floating Torch

Similar to a mini "Dolphin" style torch with nine powerful LED's and cloverleaf reflector system for maximum focus and intensity.

- Easy grip handle and recessed push button switch.
- Four AA batteries supplied.

Part No. Dimensions L x W x H (mm)

JPW11742 145 x 95 x 110



Safety Gear Bag

Durable heavy duty PVC woven bag with waterproof moulded EVA base. Can be used as a gear bag or safety grab bag.

- Inside mesh pocket and two zippered end pockets.
- Easy grip zipper on three sides of the bag for wide opening.
- Soft grip carry handle with large padded shoulder strap.



Part No. Description

JPW7494 90L Large Yellow Gear Bag 75 x 36 x 36cm
JPW7495 60L Medium Red Gear Bag 61 x 30 x 30cm

Flare Kits - Inshore / Offshore

Selection of flares depending on the distance off shore.



Packaged in watertight clear bag



Part No.	Distance From Shore	Kit
JPW1100	Within 5NM	INSHORE - 2 Red & 2 Orange Flares
JPW1101	More than 5NM	OFFSHORE - 2 Red Parachute & 2 Orange Hand Smoke

Horn Air Hand Held

Hand held operated signal pressure pack air horns. Ideal for marine, or sporting events. Non-CFC propellant.

Part No. Description

JPW5892 Air horn 50g
JPW5893 Air horn 300g
JPW5891 50g Replacement cannister
JPW5895 300g Replacement cannister



SOLAS Round Lifebuoy

Fully approved foam filled orange plastic lifebuoys with reflective tape / poly rope. SOLAS approved for all commercial and pleasure craft in Australian or International waters.



Part No.	Diameter (mm)
JPW1180	720

Horseshoe Lifebuoy

Flexible horseshoe lifebuoy with bright orange PVC zippered cover, closed cell foam inner, webbing straps with snap buckle, reflective tape and whistle.



Part No.	Diameter (mm)
JPW1183	600

Lifebuoy Holder - Rail Mount

316-grade stainless steel to suit round or horseshoe lifebuoys.

- Supplied with retaining cord and rail mount bracket for 22mm and 25mm rails.



Part No.
JPW4726

Lifebuoy Holder - Hook

304-grade stainless steel adjustable retaining hook to suit round lifebuoys. Simply bend to adjust to desired size.



Part No.
JPW4727

Emergency Cut Off Switch with Lanyard

Kills ignition when the coiled lanyard is pulled.

- Provides a normally 'open' or 'closed' circuit.
- For use with conventional or magneto ignitions.



Part No.
JPW12951

Boat Kill Switch - 10 Keys

Emergency cut-off switch is ideal for safety on the water and comes with coiled lanyard and 10 different keys to fit all BRP, Johnson, Evinrude, Mercury, Yamaha, Honda, Tohatsu, Nissan, Suzuki and Kawasaki engines.

- Kills ignition when lanyard is pulled.
- Swivel snap hook prevents tangles.
- Rust-free stainless steel crimps.



Part No.
JPW12952

Fire Extinguishers

Dry powder extinguishers compliant with Australian Standards AS 1841.5.

- Non-toxic and rated suitable for YA regulations.
- Complete with pressure gauge, service record tag & mounting bracket.

Suitable for:

Class A Fires: common combustibles such as wood, cloth, paper, rubber & plastics.

Class B Fires: flammable liquids, oil, solvents, grease, tars, petrol and other oil-based products.

Class E Fires: involve energised electrical equipment such as wiring, machinery equipment and appliances.



Part No.	Contains	Fire Rating
JPW1220	1kg	1A:20B:E
JPW1222	2.5kg	3A:40B:E
JPW1223	4.5kg	4A:80B:E
JPW1224	9kg	6A:80B:E
JPW1225	9L Foam	3A:20B with AFFF
JPW1227	5kg CO ²	5B:E
JPW1226	Bracket to suit 4.5kg Extinguisher	



JPW1226
Cadmium plated steel bracket for mounting to 4.5kg fire extinguisher.

Anti Slip Tape

Avoid slips and falls on board with this non-skid adhesive tape, easily applied to decks, steps, cockpit floors, gunwales etc.



Part No.	Dimensions W x L	Colour
JPW15501	25mm x 5m	Black
JPW15502	25mm x 5m	White
JPW15521	50mm x 5m	Black
JPW15522	50mm x 5m	White

Galvanised Bucket

Galvanised bucket capable of holding 11 litres of liquid.

- Can be used as safety equipment for putting out fires or as a bailer.



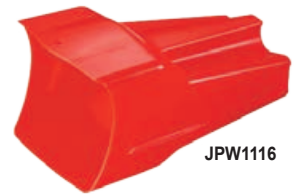
Part No.

JPW1113

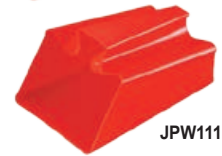
Bailing Scoops

Flexible plastic bailers.

- 2 sizes, red in colour with hand grip.



JPW1116



JPW1115

Part No.	Capacity (L)	Dimension L x W x H (mm)
JPW1115	1.5	185 x 140 x 125
JPW1116	2	240 x 130 x 125

Waterproof Manual Focus Binocular - 7x50 Magnification

Waterproof / fog-proof black and yellow binocular for optimum reliability. Ergonomically designed with non-slip grip.

- 50mm diameter multi-coated green lenses.
- Super quality BAK-4 optics.
- 6.6° / 116m field of view with central eye focus and fold-down eye cups
- Brighter / crisper images with 30% more light entering the binoculars.



Includes binocular carry strap, lens cleaning cloth, eyepiece caps, lens caps and battery.

Part No.	Dimensions L x W (mm)	Eye Relief (mm)	Exit Pupil (mm)	Weight (g)
JPW9711	202 x 198	27.4	7	989

Mariner Pro Binocular With Compass - 7x50 Magnification

Fog-proof, dust-proof and waterproof with a rugged rubber-armoured metallic body.

- BAK-4 prism.
- O-ring sealed 100%.
- An integral internally illuminated compass and internal range finder.
- Right and left dioptre adjustment dial with individual focus.
- 5° resolution / 7.5° field of view.
- Distance scale



Includes storage bag with binocular carry strap, lens cleaning cloth, eyepiece caps, lens caps and battery.

Part No.	Dimensions L x W (mm)	Eye Relief (mm)	Exit Pupil (mm)	Weight (g)
JPW9713	200 x 150	23	6.8	890

Marine Buoyancy Foam (EPE)

Our Marine Buoyancy Foam is certified and approved foam for use in marine construction, boat building and refurbishment.

Its easy to modify, this foam can be cut with a knife, blade, hack saw, band saw and shaped around any hull fittings, designs and requirements.

Each pack comes with all necessary certification for installation in boats.

- Resistant to fuel (petrol & diesel)
- Water absorption - 0.01ml/cm³
- Good thermal & acoustic properties
- Approved for use in commercial survey vessels and recreational vessels across Australia & New Zealand
- Approvals and Certifications:
 - National Standard for Commercial Vessels (NSCV) - LDFM FOAM TYPE A
 - Australian Standard AS1791.1 Small Craft
 - International Maritime Organisation (IMO) MSC 81(70)
 - Australian Builders Plate



Sold as a pack of 10 sheets which equals one cubic metre. Priced per sheet.

Part No.	Description	Each Sheet Dimensions (L x W x H)
JPW10022	Buoyancy Foam - Sold in Packs of 10x Sheets	2m x 1m x 50mm



GME MT600 406MHz Epirb



Compact and lightweight, easy to install on any vessel utilising the specially designed quick release mounting bracket. The antenna will automatically be deployed on release. Certified by COSPAS SARSAT for worldwide usage.

- 10 year battery life and advanced self testing capability for peace of mind.
- MT600 is activated manually and includes 121.5 MHz homing transmitter.
- MT600G is activated manually and boasts a 66 channel GPS receiver reducing the search area to less than 100m radius, and a 121.5MHz homing signal to further aid in location and retrieval in an emergency.



Part No.	Description
JPW88201	GME MT600G Epirb with GPS
JPW88202	GME MT600 Epirb

GME GX700 VHF Marine Radio



Compact with innovative installation options. Waterproof to IPX7, it is ideal whether you're sailing inland waters or heading offshore.

- 25/1 watt switchable power.
- Waterproof speaker microphone and cabin cover included.
- Overall depth only 75mm, flush mount depth only 46mm.
- Ingress protected to IPX7.
- Dual and triple watch with programmable priority channel
- Two working channel memories.

Part No.	Description
JPW88246	GX700W VHF Marine Radio - White
JPW88247	GX700B VHF Marine Radio - Black

- Rear microphone input socket for flexible installation.
- Multiple mounting options, backwards compatible with all GME radio installations.

GME GX750 Black Box VHF Marine Radio



Compact with innovative installation options. Waterproof to IPX7, ideal for sailing inland waters or heading offshore.

- Compact, modular design, perfect to installation when space is limited.
- Ingress protected to IPX7.
- Dual & triple watch with programmable priority channel.
- Two working channel memories.
- Rear microphone input socket for flexible installation.
- Waterproof speaker microphone. • 25/1 watt switchable power



Part No.	Description
JPW88250	GX750W VHF Marine Radio - White
JPW88251	GX750B VHF Marine Radio - Black

GME GX400 27MHz Marine Radio



Features 27MHz Marine Band and 27MHz Citizen Band transceivers. Built to withstand the harshest environments at sea or on land.

- Dual band for both land and marine.
- Channel 88 and priority channel selector keys.
- Large backlit LCD display with dimming function.
- Ingress protection to IPX7 Dual and tri watch.
- Dual speaker (front panel and speaker microphone).
- Remote channel change function on microphone.
- Channel scanning with memory.
- Rotary squelch control.

Part No.	Description
JPW88210	GX400W 27MHz Marine Radio - White
JPW88211	GX400B 27MHz Marine Radio - Black

GME GR300BT AM/FM Bluetooth Marine Radio



This new model is the entertainment unit of choice. Powerful, yet compact AM/FM radio with Bluetooth audio streaming for wireless pairing with any smart phone or compatible device.

- Ingress protection: IPX7.
- Optional flush mount kit.
- High quality Lancen front-facing speaker.
- Large backlit LCD display.
- AUX input. • 2 x 40 watt external speaker outputs.

Part No.	Description
JPW88314	GR300BTW AM/FM Bluetooth Radio - White
JPW88315	GR300BTB AM/FM Bluetooth Radio - Black

GME GR300BTWEP AM/FM Marine Radio with Speakers



As above but also includes a pair of 60W GS300 Marine box speakers.

Part No.	Description
JPW88316	GR300BTWEP AM/FM Marine Radio with GS300 Speakers

GME Marine Speakers

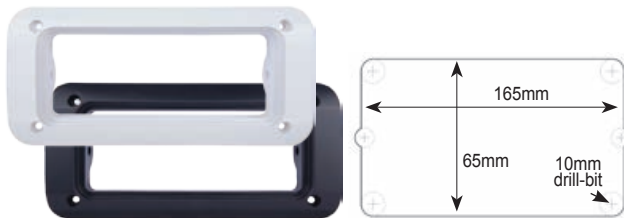


All GME marine speakers are marine grade UV stabilized, salt spray and fog resistant.



Part No.	Description	Size (mm)
JPW88374	GS300 S-3 Speaker Box 60watts (Pair)	109 x 96
JPW88375	GS400 S-4 Speaker Box 80watts (Pair)	135 x 118
JPW88376	GS500 S5 Flush Mount 110watts (Pair)	163
JPW88378	GS600 S6 Flush Mount 140watts (Pair)	188

GME Flush Mount Radio Kits



Part No.	Description
JPW88267	MK008W F/Mount Kit suit GX300, GX400, GX700 radios - White
JPW88268	MK008B F/Mount Kit suit GX300, GX400, GX700 radios - Black

GME Antenna Bases - Single or Double - Round or Rectangle



Suitable for VHF, 27 MHz, AIS and AM/FM antenna whips. Coaxial cable remains connected to the base rather than the antenna whip, allowing removal of the whip in a matter of seconds.

- Splash proof cap provides connector protection when whip is removed.
- Single or double swivel and round or rectangle configuration allowing flexible installation in the most challenging situations.
- Colour code tags included with each base. Green (VHF) Red (27MHz) Yellow (AM/FM).



Part No.	Antenna Base	Swivel Type	Shape	Colour
JPW88231	ABL012	Double	Rectangle	White
JPW88231B	ABL012B	Double	Rectangle	Black
JPW88232	ABL013	Single	Rectangle	White
JPW88232B	ABL013B	Single	Rectangle	Black
JPW88233	ABL014	Double	Round	White
JPW88233B	ABL014B	Double	Round	Black
JPW88234	ABL015	Single	Round	White
JPW88234B	ABL015B	Single	Round	Black

GME Antennas



Detachable, UV-stable white fibreglass whips that are uniquely identified by colour coded tabs - ensuring that only the matching whip is attached to the correct base.

- Colour code - Green (VHF), Red (27MHz), Yellow (AM/FM).



Part No.	Antenna Whip	Size (mm)	Colour Code
27 MHz Detachable Antenna Whips			
JPW88236	AW364H 27MHz	1200	RED
JPW88237	AW366H 27MHz	1800	RED
JPW88238	AW368H 27MHz	2400	RED

Part No.	Antenna Whip	Size (mm)	Colour Code
VHF & AIS Detachable Antenna Whips			
JPW88292	AW364V VHF	1200	GREEN
JPW88293	AW366V VHF	1800	GREEN
JPW88294	AW368V VHF	2400	GREEN

Part No.	Antenna Whip	Size (mm)	Colour Code
AM/FM Detachable Antenna Whips			
JPW88363	AW364B AM/FM	1200	YELLOW
JPW88364	AW366B AM/FM	1800	YELLOW
JPW88365	AW368B AM/FM	2400	YELLOW

GME Antenna Whips & Round Base 1.8m



A pre-tuned antenna with detachable whip for optimum communication range. Ideal for installations where multiple but differing band types are required on the same vessel. Colour match identifiers on the whip and base to ensure whip is returned to correct base.

- Colour code - Green (VHF), Red (27MHz), Yellow (AM/FM).



Part No.	Description	Colour Code
JPW88242	AE346H 27Mhz Antenna Whip & Base 1.8m	RED
JPW88298	AE346V VHF Antenna Whip & Base 1.8m	GREEN
JPW88369	AE346B AM/FM Antenna Whip & Base 1.8m	YELLOW

Auxiliary Band Splitters



Part No.	Description
JPW88229	SPL003 allows an AM/FM antenna to receive both AM/FM and DAB+ signals
JPW88230	SPL002 allows an AM/FM broadcast radio to be connected to either a 27MHz or VHF radio antenna



HOW TO ORDER

Select products from the catalogue or through our website using the product categories or search function. Make note of the part numbers to facilitate ordering.

ONLINE



Login to our website
with your customer username & password.

www.jpwmarine.com.au

If you know our product codes, use the
'Quick Order' form for a speedy checkout.

PHONE

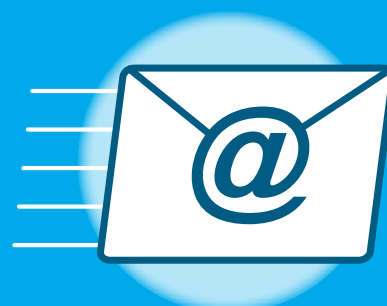


Call us during standard
Western Australian business hours on

(08) 6253 3000

to place order by phone.

EMAIL



Email your order to

orders@jpwmarine.com.au



JPW MARINE

AUSTRALIA'S LEADING BOATING AND MARINE WHOLESALER

LIGHTING, CABIN & NAVIGATION 12

LED INTERIOR & EXTERIOR LIGHTS

Adjustable Reading Lights & Swivel Lights	201 - 202
Courtesy Lights	198 - 200
Entry/Step & Dome Lights	198 - 199
Interior Downlights	192 - 195
Interior Touch Sensitive Lights	194 - 195
Recessed Downlights	200
Strip Lights	196 - 197
Transom/Stern Lights	200
Waterproof Flexible Strip Light	197

DECK & SEARCH LIGHTS

Light Bars	204
Searchlights Remote Controlled	205
Work/Deck Lights	202 - 205

NAVIGATION LIGHTS

All Navigation Lights	205 - 210
-----------------------------	-----------

UNDERWATER LIGHTS

Underwater Light (Surface Mount)	212
Replacement LED Bulbs	211



EuroLED

The EuroLED range of lights are completely sealed, highly impact and shock resistant for an ultra long service life. EuroLED lights can be installed almost anywhere on board, interior or exterior, wet or dry.



- Ultra low power consumption.
- High colour rendering (CRI 85).
- Completely sealed IP67.
- UV, corrosion and impact resistant.
- 316 stainless steel rims.
- Made in New Zealand.
- 5 Year warranty.



EuroLED 75 Downlights

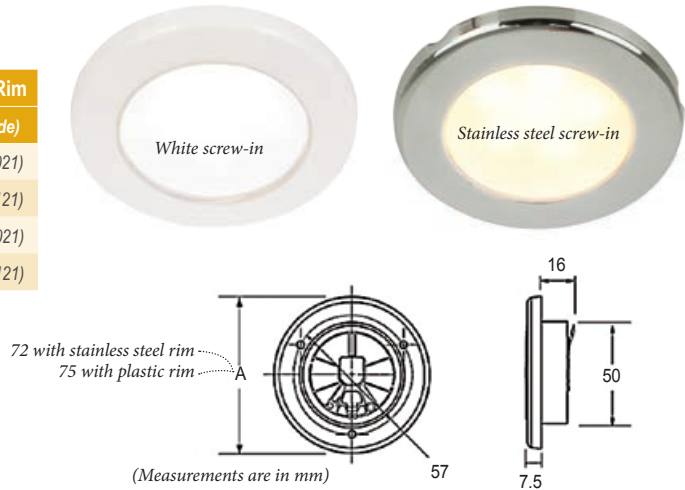
Screw Mount

	White Plastic Rim	Polished Stainless Rim
Light Colour	JPW Code (Hella Code)	JPW Code (Hella Code)
○ White (12v)	H64839 (2JA 958 110-011)	H64840 (2JA 958 110-021)
○ White (24v)	H64841 (2JA 958 110-111)	H64842 (2JA 958 110-121)
○ Warm White (12v)	H64843 (2JA 958 109-011)	H64844 (2JA 958 109-021)
○ Warm White (24v)	H64845 (2JA 958 109-111)	H64846 (2JA 958 109-121)

Note: Spring Clip version also available

SPECIFICATIONS

Power Consumption: 3w
Lux @ 1m: 100 (Warm White)
Beam Angle: 80°

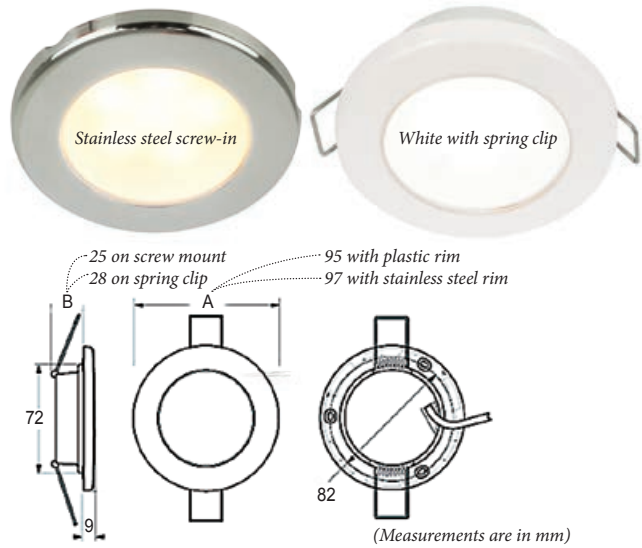


EuroLED 95 Downlights 12/24v

	White Plastic Rim	Polished Stainless Rim
Light Colour	JPW Code (Hella Code)	JPW Code (Hella Code)
○ White (Screw)	H64860 (2JA 980 940-001)	H64861 (2JA 980 940-011)
○ White (Spring Clip)	H64862 (2JA 980 940-201)	H64863 (2JA 980 940-211)
○ Warm White (Screw)	H64864 (2JA 980 940-101)	H64865 (2JA 980 940-111)
○ Warm White (Spring Clip)	H64866 (2JA 980 940-301)	H64867 (2JA 980 940-311)

SPECIFICATIONS

Power Consumption: 4w (White)
Lux @ 1m: 380 (Warm White)
Beam Angle: 30°



EuroLED 115 Downlights 12/24v

Screw Mount

	White Plastic Rim	Polished Stainless Rim
Light Colour	JPW Code (Hella Code)	JPW Code (Hella Code)
○ White	H61252 (2JA 980 820-002)	H61254 (2JA 980 820-012)
○ Warm White	H61256 (2JA 980 820-102)	H61258 (2JA 980 820-112)

Surface Mount with Switch

○ White	H61264 (2JA 980 828-002)	H61266 (2JA 980 828-012)
○ Warm White	H61270 (2JA 980 828-102)	H61271 (2JA 980 828-112)

SPECIFICATIONS

Power Consumption: 4w (White)
Lux @ 1m: 385 (Warm White)
Beam Angle: 36°





Quick LED Downlight Series

All Quick LED downlights are dimmable, have a low 2w power consumption and a 50,000 hour average lifetime.

- Colour rendering (CRI 80).

– TED Series

Completely sealed IP66 316 stainless steel rim or white plastic screw-in or spring clip mount.

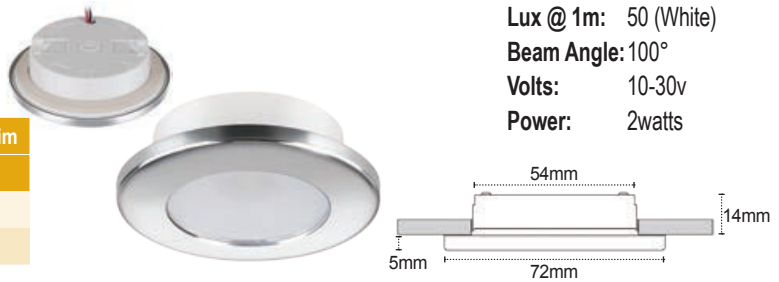
- Ideal for ceiling and wall installation.



Current: 0.17 A @12V
0.09 A @ 24V
Lux @ 1m: 50 (White)
Beam Angle: 100°
Volts: 10-30v
Power: 2watts

Screw Mount

	White Plastic Rim	Polished Stainless Rim
Light Colour	JPW Code	JPW Code
○ White	JPW12001	JPW12003
○ Warm White	JPW12002	JPW12004



Spring Clip Mount

	Polished Stainless Rim
Light Colour	JPW Code
○ Warm White	JPW12005



(Measurements in mm)

– TIM Series

IP40 rated for internal use. 316 stainless steel mirror polished rim.

- Surface mount applications - ideal for ceiling installation.



Surface Mount

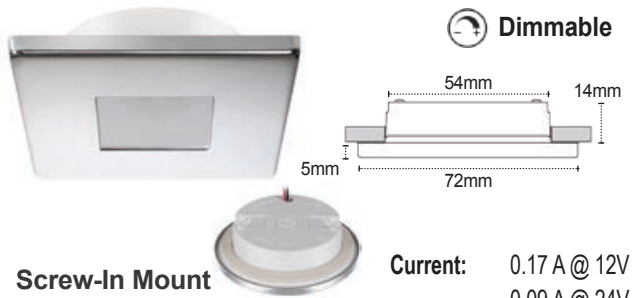
	Polished Stainless Rim
Light Colour	JPW Code
○ Warm White	JPW12006

Current: 0.17 A @ 12V
0.09 A @ 24V
Lux @ 1m: 40 (Warm White)
Beam Angle: 100°
Volts: 10-30v
Power: 2watts

– EDWIN Series

Completely Sealed IP66 water rated 316 stainless steel with mirror polished screw-in mounting option.

- Ideal for ceiling or wall mount installation.



Screw-In Mount

	Polished Stainless Rim
Light Colour	JPW Code
○ White	JPW12010
○ Warm White	JPW12011

Current: 0.17 A @ 12V
0.09 A @ 24V
Lux @ 1m: 44 (White)
Beam Angle: 100°
Volts: 10-30v
Power: 2watts

– MIRIAM Series

IP40 rated for internal use 316 stainless steel with mirror polished spring-clip mount.

- Ideal for ceiling or wall installation.



Spring Clip Mount

	Polished Stainless Rim
Light Colour	JPW Code
○ White	JPW12008
○ Warm White	JPW12007

Current: 0.17 A @ 12V
0.09 A @ 24V
Lux @ 1m: 40 (Warm White)
Beam Angle: 100°
Volts: 10-30v
Power: 2watts

– SELENE Series

IP40 rated for internal use, 316 stainless steel with mirror polished spring-clip mounting options with switch

- Ideal for ceiling installation.



Spring Clip Mount with Switch

	Polished Stainless Rim
Light Colour	JPW Code
○ Warm White	JPW12009

Current: 0.17 A @ 12V
0.09 A @ 24V
Lux @ 1m: 40 (Warm White)
Beam Angle: 100°
Volts: 10-30v
Power: 2watts

EuroLED Touch Series



Lighting control is beautifully simple. Touch the colour pad for red or blue light, the white pad for white light. On the dual colour versions, hold your finger on the pad for more than two seconds and the lamp will cycle through four dimming levels. Release your finger on the light level required.

Dual colour EuroLED Touch lamps can also be remotely operated from multiple points with 'off the shelf' ON/OFF/ON momentary switches. Holding one of the external switches for two seconds will synchronise the lamps to the same dimming level. Light levels are 'remembered' by the lamps circuitry. The lamp will always turn on at the colour intensity previously set, regardless of power interruption.

Single colour White or Warm White EuroLED Touch lamps (without dimming or momentary switch control) are equally as easy to use. Touch the white pad for ON, touch the black pad for OFF.

Completely sealed housing.
Pre-wired with marine cable.



EuroLED Touch 130

Power Consumption: 4w
Lux @ 1m: 475 (White)
Beam Angle: 32°

DIMENSIONS: Ø130 x 29.5mm deep



	White Shroud	Black Shroud
Light Colour	JPW Code (Hella Code)	JPW Code (Hella Code)
White / Red	H61159 (2JA 959 950-121)	H61157 (2JA 959 950-111)
White / Blue	H61165 (2JA 959 951-121)	—
White	H61163 (2JA 959 950-521)	H61161 (2JA 959 950-511)

EuroLED Touch 150

Power Consumption: 4w
Lux @ 1m: 475 (White)
Beam Angle: 32°

DIMENSIONS: Ø150 x 20mm deep



Light Colour	White Shroud	Stainless Steel Shroud
	JPW Code (Hella Code)	JPW Code (Hella Code)
White / Red	H61208 (2JA 980 630-001)	H61209 (2JA 980 360-011)
White	H61212 (2JA 980 630-501)	H61213 (2JA 980 630-511)
Warm White	H61214 (2JA 980 630-601)	H61215 (2JA 980 630-611)

EuroLED 150 - Non-touch

Power Consumption: 4w
Lux @ 1m: 475 (White)
Beam Angle: 32°

DIMENSIONS: Ø150 x 20mm deep



Light Colour	White Shroud	Stainless Steel Shroud
	JPW Code (Hella Code)	JPW Code (Hella Code)
White	H61220 (2JA 980 631-501)	H61221 (2JA 980 631-511)



DuraLED Series

Powerful white light for heavy duty applications and a safe, energy efficient and reliable alternative to incandescent and fluorescent lighting.

- Completely sealed IP67 • UV, corrosion and impact resistant • Ultra low power consumption
- Multivolt 12/24V DC • Pre-wired with marine cable • 5 Year warranty.

DuraLED 12 with Heavy Duty Switch

- White plastic rim. • White light.

Power Consumption: 2.5w
Lux @ 1m: 60
Beam Angle: 120°

DIMENSIONS (H,W,D)
 65 x 140 x 32mm

JPW Code (Hella Code)

H61232 (2JA 980 704-001)



DuraLED 20

- White light. • Spread lens.

Power Consumption: 4w
Lux @ 1m: 390
Beam Angle: 64°

DIMENSIONS (H,W,D)
 100 x 177 x 30mm

JPW Code (Hella Code)

H61206 (2JA 980 608-002)



DuraLED 36

- White light. • Spread lens.

Power Consumption: 7w
Lux @ 1m: 600
Beam Angle: 64°

DIMENSIONS (H,W,D)
 100 x 177 x 30mm

JPW Code (Hella Code)

H61100 (2JA 959 037-522)



DuraLED 50

- White light. • Spread lens.

Power Consumption: 12w
Lux @ 1m: 1650
Beam Angle: 36°

DIMENSIONS (H,W,D)
 96 x 222 x 25mm

JPW Code (Hella Code)

H61203 (2JA 980 629-001)



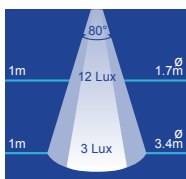
LED Touch Sensitive Saturn Interior Lamp

This elegant, ultra slim design is ideal as down lighting in all marine and R.V applications.

- Inbuilt on/dim/off switch.
- Surface mountable with decorative bezel to hide mounting fixtures.
- Only a 10mm hole is required for the cable exit.
- Memory function recalls last setting when centrally switched on.
- Smooth yet powerful SMD LED lights.
- Made with virtually unbreakable polycarbonate lens.
- 9-33V multi-voltage.
- IP66 rating.
- 5 year LED warranty



• **Current draw:** 0.04A @ 12V
 0.02A @ 24V.



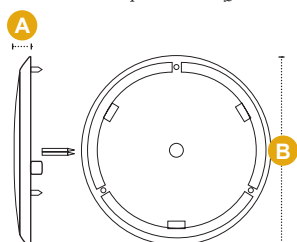
Part No.	A (mm)	B (mm)
N87500	10	75
N87502	11	130
N87504	11	180



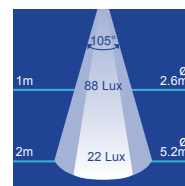
Surface mountable with a decorative bezel to hide mounting fixtures



Touch sensitive switch located in the centre of the lens turns the lamp On/Dim/Off



• **Current draw:** 0.25A @ 12V
 0.13A @ 24V.



Part No.

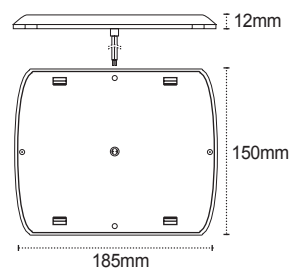
N87508



Surface mountable with a decorative bezel to hide mounting fixtures



Touch sensitive switch located in the centre of the lens turns the lamp On/Dim/Off



LED Strip Light - 12-24V

These low profile LED strip lights will complement marine or RV interiors, and can be surface mounted or corner mounted for added versatility.

- Connect multiple lengths for a continuous customised look.
- Changeable end covers for surface or corner mounting.
- Only a 10mm hole required for mounting.
- SMD LED technology.
- Virtually unbreakable polycarbonate lens.
- IP66 rated.
- 5 year LED warranty.

Changeable end covers included for corner or surface mounting and when connecting multiple lights

Part No.	Dimensions (mm) (A x B x C)	Current Draw 12v 24v
N87524BL	150 x 27 x 11	0.09A 12v 0.05A 24v
N87526BL	300 x 27 x 11	0.15A 12v 0.07A 24v

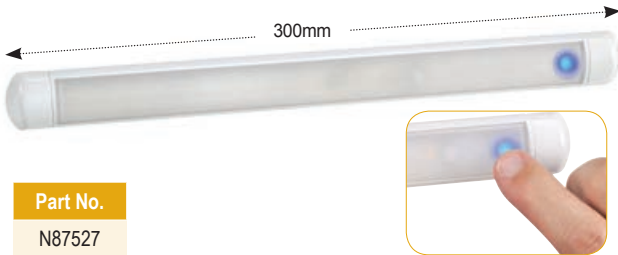


LED Strip Light with Touch Sensor Switch - 12/24v



Low-profile LED strip lamp with touch-sensitive on/off switch and changeable end covers for mounting either on a surface or corner.

- Polycarbonate lens.
- Current draw: 0.17A at 12V, 0.09A at 24V, Switch: 0.01A at 12V.
- 10mm mounting hole.



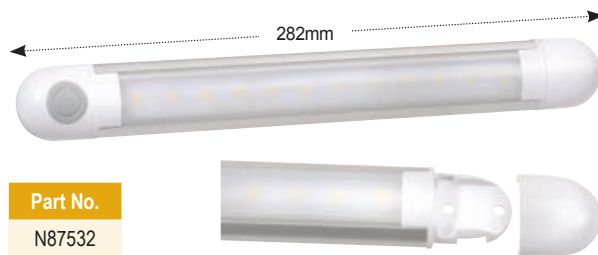
Part No.
N87527

LED Strip Light High Power 282mm - 12/24v



High-powered LED interior strip lamp with in-built on/off switch, robust aluminium housing, and impact-resistant design.

- Polycarbonate lens • 12 Volt
- Current draw: 0.34A at 12V
- 10mm mounting hole.



Part No.
N87532

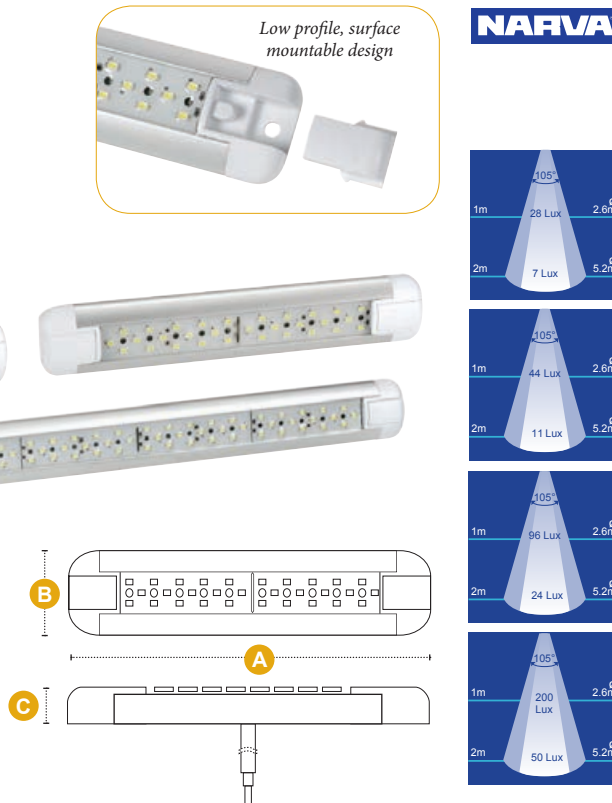
LED High Powered Strip Lights - 12-24V

- Robust aluminium housing, impact resistant design.
- Built to withstand harsh exterior environments.
- SMD LEDs deliver a powerful spread of light.
- Low current draw.
- IP66 rated.
- 5 year LED warranty.

Low profile, surface mountable design



Part No.	Dimensions (mm) (A x B x C)	Current Draw 12v 24v
N87540	114 x 33 x 12	0.09A 12v 0.05A 24v
N87541	178 x 33 x 12	0.16A 12v 0.08A 24v
N87542	306 x 33 x 12	0.33A 12v 0.17A 24v
N87543	500 x 33 x 12	0.60A 12v 0.30A 24v



LED Waterproof Flexible Strip Light - 12V

- Ideal for use in marine, RV, commercial and auto applications.
- Waterproof (IP68), however not for underwater use.
- Supplied with 200mm of wire for connection
- 3M adhesive backing tape.
- 60x LEDs per metre.
- Can be cut to length (cut on the scissors symbol shown on the strip).
- Variety of colours and lengths available.

Part No.	Light Colour	Length
<input type="radio"/> JPW11790	White	600mm
<input type="radio"/> JPW11791	Warm White	600mm
<input type="radio"/> JPW11792	White	1m
<input type="radio"/> JPW11793	Warm White	1m
<input type="radio"/> JPW11795	White	2.5m
<input checked="" type="radio"/> JPW11796	Blue	1m



Surface Mount LED Strip Series

Featuring a completely sealed 10mm profile and class leading efficiency for a wide range of illumination tasks.

- Dual colour options • Integrated sealed switch • High Colour Accuracy (CRI 85) • Low power consumption <3W
- Low profile surface mount design • Completely sealed IP67 • UV and impact resistant • Made in New Zealand • 5 Year warranty



Power Consumption: 3w (White)

Lux @ 1m: 256 (White)

Beam Angle: 40°

DIMENSIONS (H,W,D)

25 x 283 x 11mm



Surface Mount LED Strip with Switch

	12v	24v
Light Colour	JPW Code (Hella Code)	JPW Code (Hella Code)
<input type="radio"/> White	H61280 (2JA 958 123-001)	H61281 (2JA 958 123-401)
<input checked="" type="radio"/> White / Red	H61278 (2JA 958 121-001)	H61279 (2JA 958 121-401)
<input checked="" type="radio"/> White / Blue	H61274 (2JA 958 121-011)	H61275 (2JA 958 121-411)



Surface Mount LED Strip - No Switch

	12v	24v
Light Colour	JPW Code (Hella Code)	JPW Code (Hella Code)
<input type="radio"/> White	H61292 (2JA 958 124-001)	H61293 (2JA 958 124-401)
<input type="radio"/> Warm White	H61294 (2JA 958 124-101)	H61295 (2JA 958 124-501)

Surface Mount LED Strip Courtesy <1.5w

Power Consumption: 1.5w (White)

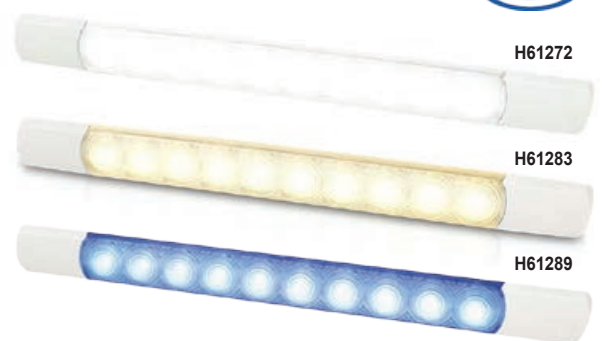
Lux @ 1m: 256 (White)

Beam Angle: 42°

DIMENSIONS (H,W,D)

25 x 283 x 10mm

	12v	24v
Light Colour	JPW Code (Hella Code)	JPW Code (Hella Code)
<input type="radio"/> White	H61272 (2JA 980 881-012)	H61276 (2JA 980 881-112)
<input type="radio"/> Warm White	H61283 (2JA 980 881-212)	H61284 (2JA 980 881-312)
<input checked="" type="radio"/> Blue	H61289 (2JA 980 881-402)	H61291 (2JA 980 881-502)



LED Round Interior / Exterior Courtesy Lights

12V LED's lights ideal for interior or exterior lighting on open boats, or cabin lighting.

- Operating voltage: 12 volts. • Power consumption: 0.5 watts.



Colour options with 2 LEDs

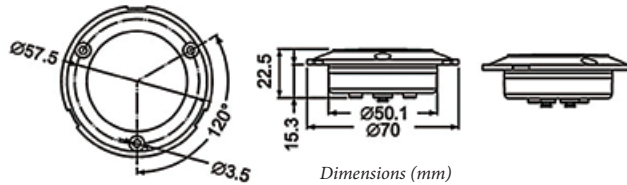
Part No.	Colour	Amps	LEDs
JPW11873	White	0.10A	4
JPW11874	Blue	0.07A	2
JPW11875	Yellow	0.05A	2
JPW11876	Red	0.11A	2



NEW Brighter Model

Chrome trim included

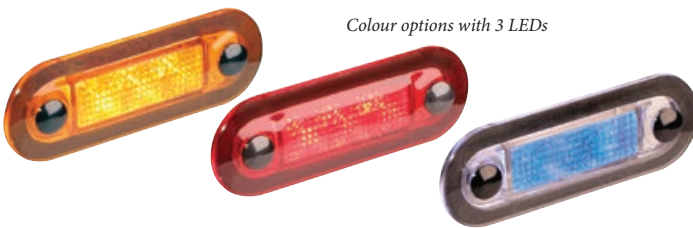
Super White light with 4 LEDs



Dimensions (mm)

LED Oblong Interior / Exterior Courtesy Lights

- 12V LED light, ideal for cockpit or step lighting on open boats.
- Available in 4 colours • Power consumption: 0.4 watts.
- Comes with foam gasket • Amps Draw: 0.03A



Colour options with 3 LEDs

Part No.	Light Colour
JPW11877	Yellow
JPW11878	Red
JPW11879	White
JPW11880	Blue
JPW11884	Oval cap stainless steel



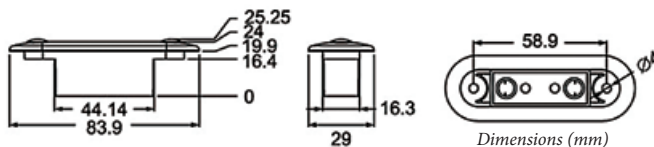
NEW Brighter Model

Super White light with 3 LEDs



JPW11884

Oval cap for coloured or white options

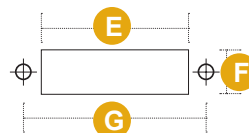
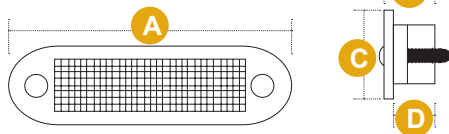


Dimensions (mm)

LED Courtesy Strip Lights

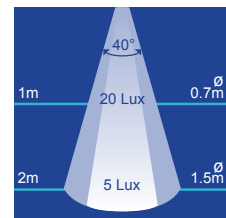
LED courtesy strip light supplied with sealing gasket self tapping screws and screw caps for an attractive finish. Ideal for use in the marine, commercial or RV industry.

- Pre-wired and sealed in epoxy.
- Polycarbonate lens
- Current draw: 0.03A / 0.07A @ 10-30V.
- 5 year LED warranty.

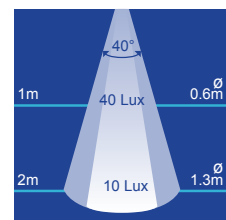


Part No.	Dimensions (mm)							Mounting Holes (mm)
	A	B	C	D	E	F	G	
N87602	90	15	25	11	61	17	72.5	2
N87604	176	21	25	17	144	16	157	2

NARVA



N87602



N87604

Surface Mount Oblong Courtesy Lights

Oblong LED lights featuring a slim and stylish design these lamps are ideal for illuminating on board areas such as steps, stairs, toe kicks, storage areas, companion ways, deck fittings, signs and switches.

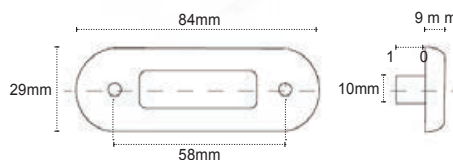


- Easy to install
- Completely sealed IP67
- UV, corrosion and impact resistant
- Ultra low power consumption
- Pre-wired with marine cable
- Made in New Zealand
- 5 Year warranty



	Stainless Steel Cap
Light Colour	JPW Code (Hella Code)
○ White	H64813 (2XT 980 869-301)
○ Warm White	H64812 (2XT 980 869-401)
● Blue	H64811 (2XT 980 869-601)

Power Consumption: 0.5w
Degree of Protection : IP67



Slim Line Round Courtesy Lights

These lights consume a fraction of the energy of traditional bulbs and run very cool due to their low current draw of less than 0.5W (less than 0.04A @ 12V).



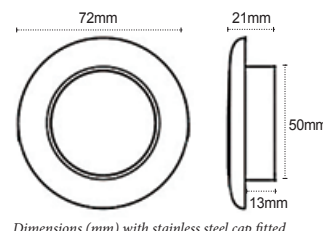
- 316 stainless steel with mirror polished finish.
- UV resistant enhanced impact acrylic lens
- IP 67 - completely sealed

Stainless steel rimmed lights include a white spacer and a surface mounting ring.



Power Consumption: 0.5w
Degree of Protection: IP67

	12v	24v
Light Colour	JPW Code (Hella Code)	JPW Code (Hella Code)
○ White	H61825 (2XT 980 500-521)	H61826 (2XT 980 501-521)
○ Warm White	H61874 (2XT 980 500-721)	H61875 (2XT 980 501-721)
● Blue	H61895 (2XT 980 502-221)	H61925 (2XT 980 503-221)



Dimensions (mm) with stainless steel cap fitted

Note: White Cap options also available, not shown

Quick LED Courtesy Lights

Quick courtesy lights have an ultra-low power consumption Multi 10 - 30volts supply.

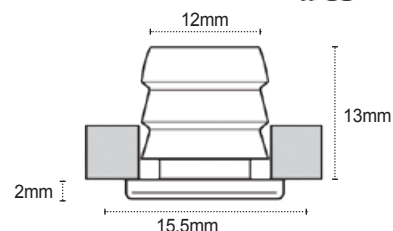


- Colour rendering (CRI 80) IP65 rated for internal or external use.
- 316 stainless steel with mirror polished finish.
- Adhesive mounting ideal for wall mount installation.
- Power Consumption: 0.24 W @ 12 V / 0.48 W @ 24 V
- Current Consumption: 0.02A @ 12 V / 24 V
- Average Lifetime : 50,000 h



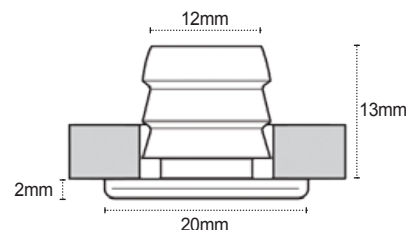
- TESS Series

	Polished Stainless Steel
Light Colour	JPW Code
○ White	JPW12018
○ Warm White	JPW12019



- TINA Series

	Polished Stainless Steel
Light Colour	JPW Code
○ White	JPW12022
○ Warm White	JPW12023



LED Exterior Dome Light - 9-36v

Water resistant, surface mount design for exterior use. Ideal for helm lighting on open boats or cockpit lighting on larger trailer boats, yachts or cruisers. Heavy duty cast aluminium housing.

- Light Source: 8 LED's • Switch not included.



Part No.	Power Consumption	Light Output
JPW11959	9.8w	840 Lumens

LED Traditional Dome Lights - 12v

Polished 304-grade stainless steel housing and diffused glass lens for an even spread of light.

- Surface mount pre-wired light • Low amp / wattage draw (1.2/0.1 Amp).
- Includes toggle switch on the side.



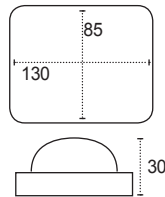
JPW11802

Part No.	Light Colour	Lens Dia (mm)	External Dia (mm)
JPW11800	White	90	140
JPW11801	White	100	170
JPW11802	Red/White	100	170

Rectangle Transom/Courtesy Light

12V 10w traditional compact flush mount transom courtesy light.

- 304-grade stainless steel. • Power Consumption: 12v @ 10w.
- Fully wired for use, no switch supplied. • Festoon bulb



Dimensions (mm)

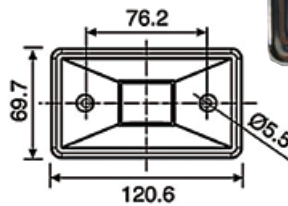
Part No.

JPW1696



LED Rectangular Transom/Stern Light

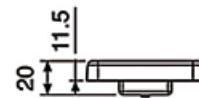
- Stainless steel flush mount housing.
- 12v LED Transom/Stern light.
- Power Consumption: 1.2w.
- IP67 rated.



Dimensions (mm)

Part No.

JPW1697



LED Courtesy Lights - 10-30V

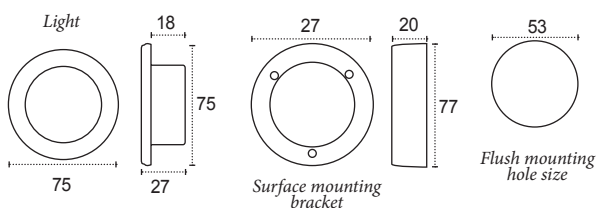
A powerful 1W LED, provides a bright and broad spread of light. Ideal for around the cabin or camper.

- Pre-wired and can be flush or surface mounted with supplied spacer. • Switches on/off by pushing the face of the lamp.
- Current draw: 0.12A @ 12V / 0.06A @ 24V. • 5 year LED warranty.

- White Round



Side profile



Dimensions (mm)

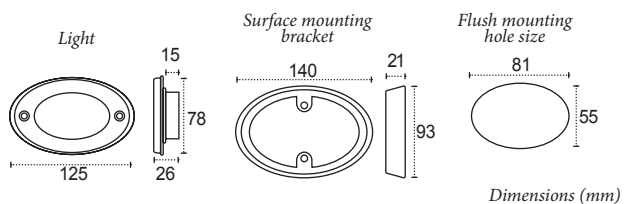
Part No.

N87620

- White Oval



Side Profile

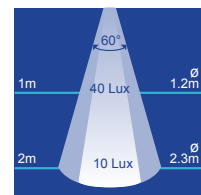


Dimensions (mm)

Part No.

N87640

NARVA



LED Interior Downlight - 9-33V

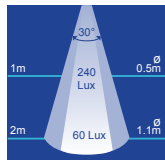


A contemporary design with frosted fascia provides a fresh and clean appearance, which is ideal for boats, caravan and motor home interiors.

- Powerful 3W LED light, offering a broad spread of white light.
- Ultra low current draw: 0.16A @ 12V / 0.08A @ 24V.
- 62mm mounting hole.
- 5 year LED warranty.



Part No.
N87590

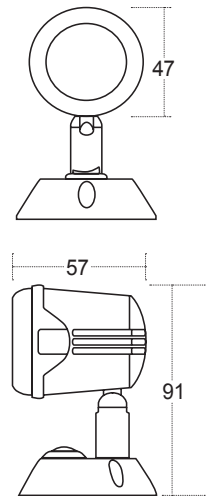


LED Adjustable Reading Light - 9-33V



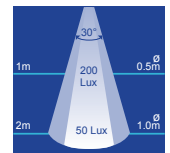
This 1W LED light delivers a bright, powerful spread of light; and is ideal as a bedside or utility cabin light.

- 350° rotation and 45° tilt.
- Modern contemporary design.
- Current Draw: 0.11A @ 12V / 0.06A @ 24V.
- 5 year LED warranty.



Dimensions (mm)

Part No.
N87646BL



Quick LED Reading - OLIVIA Series



Quick reading lights with low 2.5w power consumption.

- Colour rendering (CRI 80)
- IP40 rated for internal use
- Mirror polished aluminium
- On/Off rear switch
- Fitted adjustable head for light direction
- Ideal for wall mount installation.

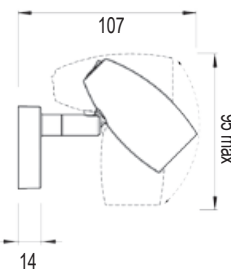


Rear switch



Power Consumption: 2.5w
Current Consumption: 0.21A @ 12 V
 0.11 A @ 24 V
Lumens: 160lm (White)
Average Lifetime: 50,000 h

	Polished Aluminium
Light Colour	JPW Code
○ White	JPW12013
○ Warm White	JPW12014



Dimensions in (mm)

Quick LED Reading - JACOB Series

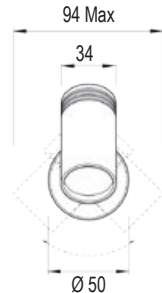


Quick reading lights with low 2.5w power consumption.

- Multi 10 ÷ 30volts supply.
- Colour rendering (CRI 80).
- IP40 rated for internal cabin use.
- Mirror polished aluminium
- On/Off rear switch fitted.
- Adjustable head for light direction.
- Ideal for wall mount installation.

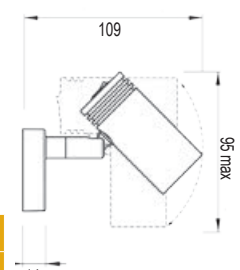


Rear switch



Power Consumption: 2.5w
Current Consumption: 0.21A @ 12 V
 0.11 A @ 24 V
Lumens: 160lm (White)
Average Lifetime: 50,000 h

	Polished Aluminium
Light Colour	JPW Code
○ White	JPW12015
○ Warm White	JPW12016



Dimensions in (mm)

LED Interior Swivel Light - 10-30v



This ultra low current draw of 0.35A makes this lamp perfect for boat, campers, caravans and mobile homes. The powerful 1W LED provides a bright and even spread of light. It also allows for easy light adjustment with 350° rotation and 35° tilt.

- 350° rotation & 35° tilt light adjustment.
- 1W powerful LED
- Current draw: 0.12A @ 12V / 0.06A @ 24V
- 5 year LED warranty.

Part No.	Colour
N87654BL	White

LED Square Flood Beam Work Light - 1800 Lumens



- Features 4x ultra reliable 5W LEDs, delivering a powerful spread of bright, white light.
- Housing: powder coated aluminium.
- Virtually unbreakable polycarbonate lens.
- 316 grade stainless steel hardware and 2m of pre-wired cable.
- Current draw: 1.30A @ 12V, 0.70A @ 24V.
- 5 year LED warranty.
- IP66 sealed.

NEW
Upgraded Model

Part No.
N72449W

LED CE 9-64V MULTIVOLT COMPLETELY SEALED IP 66 5 YR WARRANTY

LED Work Light Flood Beam - 900 Lumens



- Features 2x 3W high powered LEDs ideal for close range illumination.
- Powder coated aluminium housing.
- Virtually unbreakable polycarbonate lens.
- 316 grade stainless steel mounting hardware.
- Current draw: 0.58A @ 12V / 0.3A @ 24V.
- 5 year LED warranty.
- IP66 sealed

NEW
Upgraded Model

Part No.	Dimensions (mm)
N72446W	

LED CE 9-64V MULTIVOLT COMPLETELY SEALED IP 66 5 YR WARRANTY

LED Rectangle Flood Beam Work Light - 2700 Lumens



- Features 6x 5W LEDs to deliver an intense and broad spread of light.
- Housing: Powder coated aluminium.
- Virtually unbreakable polycarbonate lens.
- 316 grade stainless steel hardware and 2m of pre-wired cable.
- Current draw: 1.85A @ 12V, 0.9A @ 24V.
- 5 year LED warranty.
- IP66 sealed.

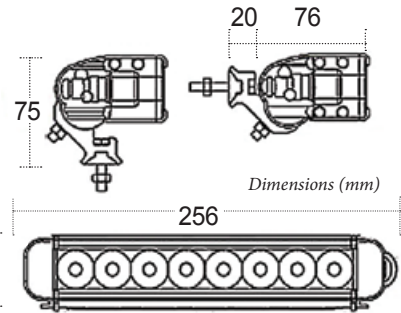
NEW
Upgraded Model

Part No.
N72451W

LED CE 9-64V MULTIVOLT COMPLETELY SEALED IP 66 5 YR WARRANTY

LED Light Bar Flood Beam 9-33v

- Fitted with high powered LEDs to deliver an intense spread of light.
- High performance and reliability with a heavy duty slimline die-cast housing.
- Housing: Powder coated aluminium.
- Virtually unbreakable polycarbonate lens.
- 316 grade stainless steel hardware & 250mm pre-wired lead with Deutsch connector.
- Current draw: 0.6A @12v, 0.3A @ 24v.
- IP68 sealed.
- 5 year LED warranty.



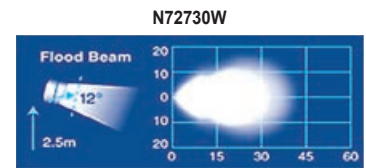
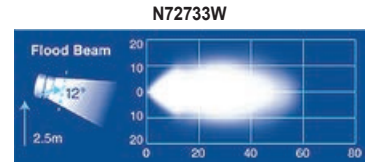
N72730W



N72733W



Hard wired cable with Deutsch® connector fitted & matching connector supplied



Part No.	Number of LEDs	Lumens	Current Draw
N72730W	4	800	0.6A @12v, 0.3A @ 24v.
N72733W	8	1600	1.2A @ 12v, 0.6A @ 24v



LED Spot/Flood Lights

- Rectangular white aluminium heatsink body cover.
- Waterproof cover (not for underwater use).
- 300mm cable length.
- 9-36 volts.
- Stainless steel brackets.
- High powered.



Part No.	Dimensions (mm) (W x H x D)	No. LEDs	Power Consumption (W)	Light Output (L)	Colour Temp. (K)	Light Configuration
JPW11950	110 x 100 x 45	8	11	840	6272	2 Direct x 6 Spread
JPW11954	110 x 100 x 45	12	12.8	1260	6439	12 Flood
JPW11957	89 x 90 x 70	10	13.2	1150	5853	4 Direct x 6 Spread

Handheld Spotlight 'Colt'

A powerful and robust 100W halogen spot beam with an ergonomic moulded handle. Ideal for off-road trucking and camping.

- On/Off rocker switch.
- 3.5mm spiral lead and pistol grip accessories plug, with an LED power on indicator.

Note: To order replacement lens and reflector, use Part No. N74049.

Part No.
N71010



Sea Hawk LED Floodlights Range

Unique Corrosion Proof Housing - Sea Hawk Flood Lights are precision injection moulded from thermally conductive ceramic polymer. This advanced material draws heat from internal electronics for reliable long-term operation and eliminates the need for an aluminium housing, removing corrosion risks in the harsh marine environment.

- Ultra-low power consumption.
- UV, corrosion and impact resistant.
- Completely sealed IP67.
- Pre-wired with marine cable.
- Multivolt 12/24V DC.
- Made in New Zealand.
- 5 Year warranty.



Sea Hawk

Power Consumption: 3w
Lumens: 200

DIMENSIONS (H,W,D)
53 x 136 x 49mm (including bracket)



	Black Housing	White Housing
Lens Type	JPW Code (Hella Code)	JPW Code (Hella Code)
Spread	H61589 (2LT 980 670-301)	H61590 (2LT 980 670-311)

Sea Hawk-R - Bracket Mount

Power Consumption: 7w
Lumens: 550

DIMENSIONS (H,W,D)
53 x 136 x 49mm



	Black Housing	White Housing
Lens Type	JPW Code (Hella Code)	JPW Code (Hella Code)
Spread	H64797 (2LT 980 573-011)	H64798 (2LT 980 573-021)

Sea Hawk-R - Recessed Mount

Power Consumption: 7w
Lumens: 550

DIMENSIONS (H,W,D)
50 x 176 x 43mm



	Black Housing	White Housing
Lens Type	JPW Code (Hella Code)	JPW Code (Hella Code)
Spread	H64800 (2LT 980 577-001)	H64801 (2LT 980 577-011)
Spot	H64802 (2LT 980 577-201)	H64803 (2LT 980 577-211)

Sea Hawk-XLR

Power Consumption: 12w (White); 6w (Warm White);
6w (Blue); 3w (Red)

Lumens: 750

DIMENSIONS (D,H,W): 68 x 170 x 68mm (including bracket)

	Black Housing	White Housing
Lens Type	JPW Code (Hella Code)	JPW Code (Hella Code)
Spread	H64793 (2LT 980 740-001)	H64794 (2LT 980 740-011)
Spot	H64795 (2LT 980 740-201)	H64796 (2LT 980 740-211)

Sea Hawk-XLB

Power Consumption: 25w (High); 5w (Low)
Lumens: 2200 (High)

DIMENSIONS (H,W,D): 110 x 83 x 74mm (including bracket)

	Black Housing	White Housing
Lens Type	JPW Code (Hella Code)	JPW Code (Hella Code)
Spread	H64815 (2LT 958 040-701)	H64816 (2LT 958 040-711)
Spot	H64817 (2LT 958 040-651)	H64818 (2LT 958 040-661)

Sea Hawk-XL - Dual Colour Spread Lens

Power Consumption: 12w (White); 6w (Warm White);
6w (Blue); 3w (Red)

Lumens: 750

DIMENSIONS (H,W,D): 68 x 170 x 85mm (including bracket)



	Black Housing	White Housing
Light Colour	JPW Code (Hella Code)	JPW Code (Hella Code)
White (Only)	H61637 (2LT 980 950-001)	H61639 (2LT 980 950-011)
White / Red	H61641 (2LT 980 950-041)	H61642 (2LT 980 950-051)
White / Blue	H61643 (2LT 980 950-061)	H61644 (2LT 980 950-071)
White / Warm White	H61645 (2LT 980 950-081)	H61646 (2LT 980 950-091)



LED Search Light with Remote Control



Utilises advanced optics to capture and project light in a strong penetrating beam. Compact and strong ASA plastic resin housing ensures total weather, UV and salt resistance.

- Dual speed controls allowing for a fast beam adjustment to sweep an area or a slow speed for more precise search and beam focus.
- 10 x 5W high powered LEDs (6000°K)
- 360° rotation & 120° tilt
- Waterproof wireless remote control (65m range)
- Dual speed (slow/rapid)
- Weatherproof and UV resistant housing
- Fully sealed (IP68) LED module
- Light colour - White (5000 Lumens)
- Available in 12V and 24V



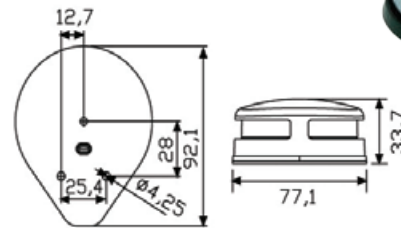
Part No.	Description
N72808	LED Search Light with R/Control 12v
N72809	LED Search Light with R/Control 24v

LED Navigation Side Lights

- 12v LED surface mounted navigation lights.
- Available in bi-colour or separate port and starboard pair.
- Removable stainless steel housing for mounting and a black rubber gasket base.

Power consumption:

Bi-Colour: 2.2w; Red: 1.3w; Green 0.8w.



JPW1638
Port & Starboard Pair

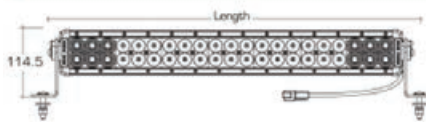


Part No.	Light Type	Dimensions (mm) (L x W x H)
JPW1635	Bi-Color	92 x 77 x 37
JPW1638	Port / Starboard	92 x 77 x 37

LED Light Bar Combo Beam

Big Red LED light bars are dual voltage 12/24v fully sealed (IP67) featuring precise aligned reflectors for optimum performance.

- Durable die-cast aluminium housing
- Stainless steel mounting brackets for vertical or horizontal mounting.

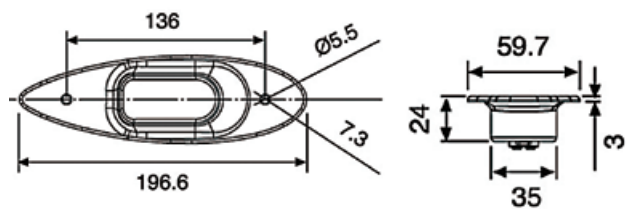


Dimensions are common for each type of bar. See lamp details above for length measurements.

Part No.	Description
NBR9220	LED Light Bar 24" Combo Beam
NBR9230	LED Light Bar 32" Combo Beam
NBR9240	LED Light Bar 42" Combo Beam
NBR9081	Sliding Mount Brackets to suit (x2)

LED Port/Starboard Side Lights

- 12v LED Port & Starboard navigation light.
- Stainless steel flush mounted housing.
- Power Consumption: Red 1.5w | Green 0.9w
- IP67 rated.



Part No.
JPW1622



LED Navigation Lights - Deck Mount

- 12v LED port & starboard side lights.
- Supplied with black rubber mounting gasket.
- Power Consumption: Red 1.2w | Green 0.9w.
- Black, white and stainless steel housing.
- Sold as a pair.



Part No.	Housing Colour	Dimensions (mm) (L x W x H)
JPW1615	White	90 x 55 x 35
JPW1616	Black	90 x 55 x 35
JPW1621	Stainless Steel	90 x 55 x 35

Navigation P&S Lights - Deck Mount

- Traditional festoon bulb port and starboard side lights.
- Supplied with black rubber mounting gasket.
- Black or White housing.
- Power Consumption: 5W.
- Voltage: 12V.
- Sold as a pair.



Part No.	Housing Colour	Dimensions (mm) (L x W x H)
JPW1600	White	135 x 60 x 47
JPW1601	Black	135 x 60 x 47
JPW1603		Spare 5W globes

Navigation P&S Lights - Deck Mount

- Traditional festoon bulb port and starboard side lights.
- Supplied with black rubber mounting gasket.
- Black or White housing.
- Power Consumption: 5W.
- Voltage: 12V.
- Sold as a pair.



Part No.	Housing Colour	Dimensions (mm) (L x W x H)
JPW1604	Black	90 x 57 x 34
JPW1605	White	90 x 57 x 34

Navigation P&S Lights - Deck Mount

- Traditional festoon bulb port and starboard side lights.
- Supplied with black rubber mounting gasket.
- Black or White housing option.
- Power Consumption: 5W.
- Voltage: 12V.
- Sold as a pair.



Part No.	Housing Colour	Dimensions (mm) (L x W x H)
JPW1618	White	90 x 55 x 35
JPW1619	Black	90 x 55 x 35

LED Navigation Lights - Deck Mount

- 12v LED port & starboard side lights.
- Supplied with black rubber mounting gasket.
- Power Consumption: 0.6W.
- Black or White housing.
- Sold as a pair.

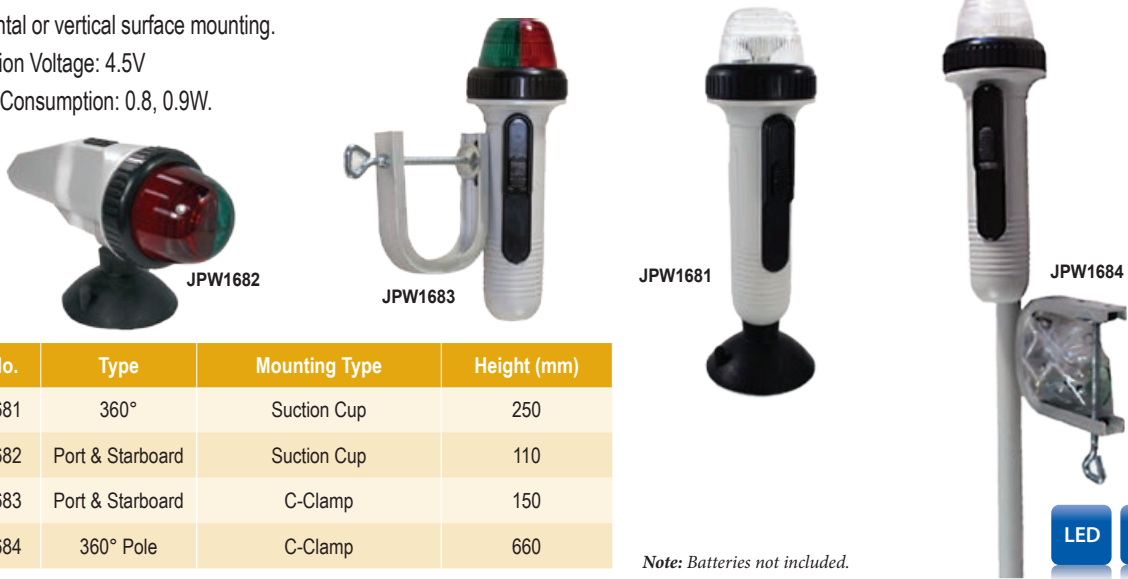


Part No.	Housing Colour	Dimensions (mm) (L x W x H)
JPW1606	Black	135 x 60 x 47
JPW1607	White	135 x 60 x 47

LED Portable Emergency Navigation Lights

Portable suction cup navigation lights can be removed with ease. Made from hi-impact ABS plastic and require 3 x C cell batteries for operation (not supplied). Bi-colour for Port and Starboard and 360° all round white.

- Ideal for inflatable boats
- Horizontal or vertical surface mounting.
- Operation Voltage: 4.5V
- Power Consumption: 0.8, 0.9W.



Part No.	Type	Mounting Type	Height (mm)
JPW1681	360°	Suction Cup	250
JPW1682	Port & Starboard	Suction Cup	110
JPW1683	Port & Starboard	C-Clamp	150
JPW1684	360° Pole	C-Clamp	660

Note: Batteries not included.



LED Compact Portable Emergency Navigation Lights

Portable suction cup navigation lights can be removed with ease. Made from hi-impact ABS plastic and require 3x AAA cell batteries for operation (not supplied). Bi-colour for Port and Starboard and 360° all round white.

- Ideal for inflatable boats.
- Horizontal or vertical surface mounting.
- IP65 rated protection.
- Operation Voltage: 4.5V.
- Power Consumption
- Port & Starboard: 0.18W.
- 360° Light: 0.8W.



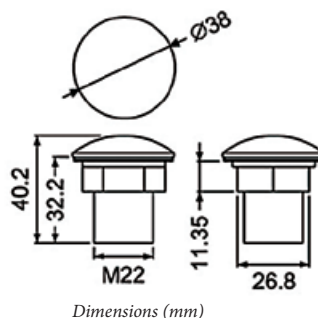
Part No.	Type	Mounting Type	Height (mm)
JPW1650	360°	C-Clamp	650mm
JPW1651	360°	Super Suction Cup	203mm
JPW1652	360°	Super Suction Cup	380mm
JPW1660	Port & Starboard	Super Suction Cup	110mm



LED Livebait Water Resistant Light - 12v

Water resistant LED light making it ideal for low level exterior, courtesy or stairway lighting, live bait tanks or thru-hull mounting, fish attracting light.

- 2x gaskets and nylon backing nut to secure it.
- 180mm of wired length
- Operation Voltage: 12v.
- Power Consumption: 0.3W.
- IP67 rated.



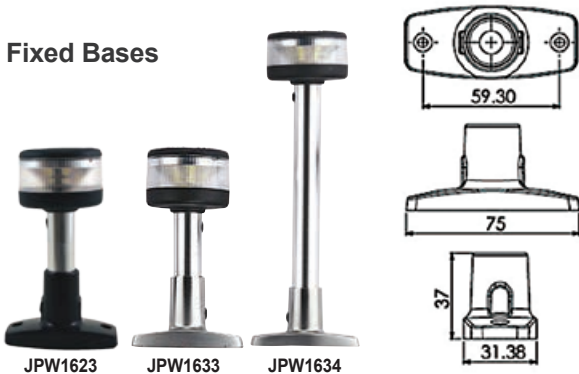
Part No.
JPW1693

LED Navigation Light - 360°

- 12V 360° LED navigational light.
- Anodised aluminium shaft.
- Black Nylon on stainless steel base.
- Power Consumption: 1 watt.
- Recommended for use on boats up to 12 metres.
- IP67 rated

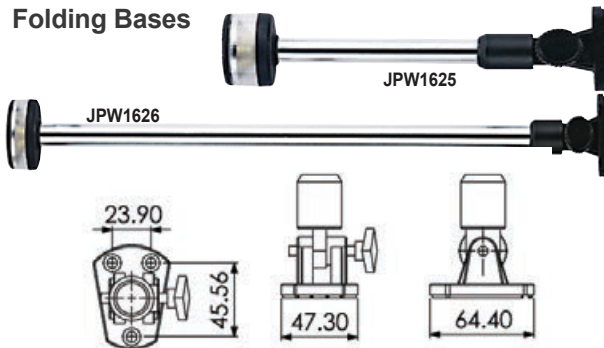


Fixed Bases



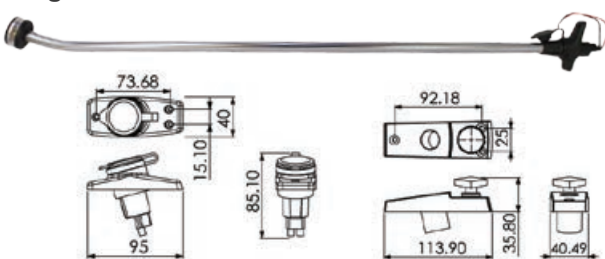
Part No.	Base Mounting Type	Height	
		mm	Inches
JPW1623	Fixed Black Nylon	100	4
JPW1633	Fixed Cast Stainless Steel	100	4
JPW1634	Fixed Cast Stainless Steel	190	7 ½

Folding Bases



Part No.	Base Mounting Type	Height	
		mm	Inches
JPW1625	Fold Down Black Nylon	225	9
JPW1626	Fold Down Black Nylon	600	24

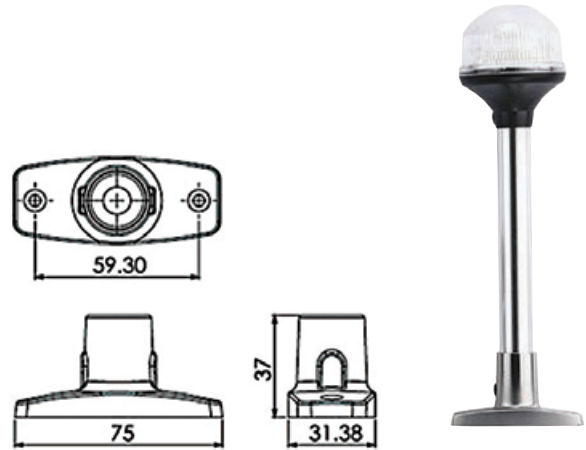
Plug-In Base



Part No.	Base Mounting Type	Height	
		mm	Inches
JPW1627	Plug-In Black Nylon	1065	42

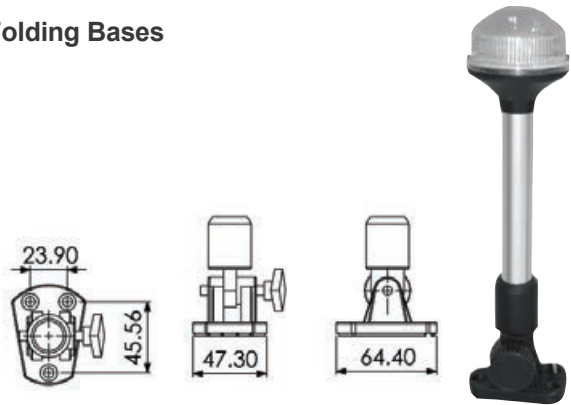
LED Navigation Light - 360°

- 12V 360° LED navigational light.
- Anodised aluminium shaft.
- Black Nylon on 304-grade stainless steel base.
- Power Consumption: 1.7 - 3.4 watt
- Recommended for use on boats up to 12 metres.
- IP65 rated.



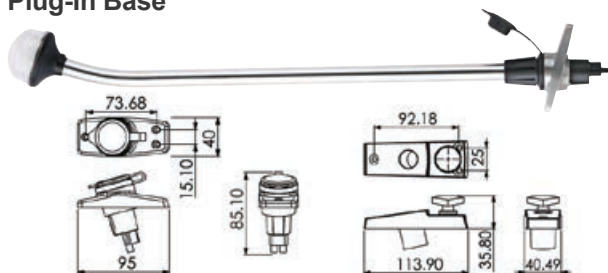
Part No.	Base Mounting Type	Height	
		mm	Inches
JPW1632	Fold Down Black Nylon	265	9

Folding Bases



Part No.	Base Mounting Type	Height	
		mm	Inches
JPW1602	Fixed Cast Stainless Steel	200	8

Plug-In Base



Part No.	Base Mounting Type	Height	
		mm	Inches
JPW1630	Plug-In Cast Stainless Steel	600	24

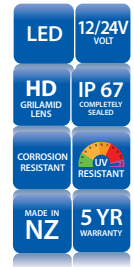


2NM All Round Anchor Lights

Ultra-compact and robust surface mount design with no visible fastenings once installed.

- 2NM Internationally approved.
- Ultra long service life.
- Variety of mounting options.
- Range of pole lengths.
- Made in New Zealand.
- 5 Year warranty.

- Lamp Type:** NaviLED 360 Anchor Lamps - 2NM All Round White
- Housing Material:** Corrosion, UV and impact resistant ASA plastic
- Lens Material:** Heavy duty Grilamid®
- Minimum Visible Distance:** 2 Nautical Mile
- Cable:** Pre-wired with marine cable
- Operating Voltage:** Multivolt 12 / 24V DC
- Power Consumption:** < 1W
- Degree of Protection:** Completely sealed IP67
- Approvals:** IMO Col Reg 72, USCG, Wheelmark, ABYC A-16, RCD



Surface Mount

Lens Type	Visibility	Black Base	White Base
		JPW Code (Hella Code)	JPW Code (Hella Code)
White	2NM	H64805 (2LT 980 960-001)	H64806 (2LT 980 960-011)



(Dimensions in mm)

Fixed Pole

Robust fixed pole mount with two counter-sunk holes.

Overall Length	Visibility	Black Base	White Base
		JPW Code (Hella Code)	JPW Code (Hella Code)
167mm (6")	2NM	H61380 (2LT 980 960-201)	H61381 (2LT 980 960-211)



(Dimensions in mm)

Fold Down

Light pole can be adjusted through 180 degrees and secured with locking collar.

Overall Length	Visibility	Black Base	White Base
		JPW Code (Hella Code)	JPW Code (Hella Code)
315mm (12")	2NM	H61384 (2LT 980 960-301)	H61385 (2LT 980 960-311)
510mm (20")	2NM	H61386 (2LT 980 960-321)	H61387 (2LT 980 960-331)
605mm (24")	2NM	H61388 (2LT 980 960-341)	H61389 (2LT 980 960-351)
865mm (34")	2NM	H61390 (2LT 980 960-361)	H61391 (2LT 980 960-371)



(Dimensions in mm)

Plug-In

Pole plugs into light base and is fixed into position with locking collar. Rubber cap covers hole when pole is removed.

Overall Length	Visibility	Black Base	White Base
		JPW Code (Hella Code)	JPW Code (Hella Code)
610mm (24")	2NM	H61392 (2LT 980 960-401)	H61393 (2LT 980 960-411)
1080mm (42")	2NM	H61394 (2LT 980 960-421)	H61395 (2LT 980 960-431)
1380mm (54")	2NM	H61396 (2LT 980 960-441)	H61397 (2LT 980 960-451)
865mm (34")	2NM	H61390 (2LT 980 960-361)	H61391 (2LT 980 960-371)



(Dimensions in mm)

NAViLED Navigation Lights

Ultra durable, power saving LED navigation lamps for enhanced safety. Proven worldwide on commercial, military and recreational vessels.

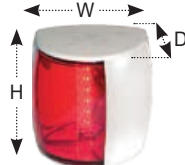
- Ultra low current draw. • No bulbs, no maintenance, ultra long service life
- Multivolt 9-33V DC • Reliable under severe voltage fluctuations and low battery voltages.
- IP67 certified • Pre-wired with 2.5m of twin core marine cable



NavILED PRO

Power Consumption: <2.5w

Dimensions (H,W,D): 90 x 87 x 57mm



Lamp	Black Housing	White Housing
	JPW Code (Hella Code)	JPW Code (Hella Code)
Port (2 NM)	H61406 (2LT 959 900-001)	H61408 (2LT 959 900-011)
Starboard (2 NM)	H61430 (2LT 959 908-001)	H61432 (2LT 959 908-011)
Stern (2 NM)	H61454 (2LT 959 909-001)	H61456 (2LT 959 909-011)
Masthead (3 NM)	H61502 (2LT 959 940-201)	H61504 (2LT 959 940-211)
Masthead (5 NM)	H61506 (2LT 959 940-401)	H61508 (2LT 959 940-411)
Bi-Colour (2 NM)	H61434 (2LT 959 941-001)	H61436 (2LT 959 941-011)



NavILED Port and Starboard Pair

Power Consumption: <2w

Pre wired with 120mm cable

Dimensions (L,W,H): 71 x 33 x 53mm

Lamp	Black Housing	White Housing
	JPW Code (Hella Code)	JPW Code (Hella Code)
Port & Starboard (2 NM)	H61570 (2LT 980 520-801)	H61571 (2LT 980 520-811)
Stern (2 NM)	H61554 (2LT 980 520-501)	H61556 (2LT 980 520-511)
Towing (2 NM)	H61558 (2LT 980 520-601)	H61559 (2LT 980 520-611)



NavILED Deck Mount Port and Starboard Pair

Power Consumption: <2w

Pre wired with 500mm cable

Dimensions (L,H,W): 90 x 50 x 38mm

Lamp	Black Housing	White Housing
	JPW Code (Hella Code)	JPW Code (Hella Code)
Port & Starboard (2 NM)	H61574 (2LT 980 620-801)	H61575 (2LT 980 620-811)



NavILED 360 All Round Nav Lights

Power Consumption: <2w

Pre wired with 1.5m cable

Dimensions (Base x H): 90^Ø x 83mm

Lamp	Black Housing	White Housing
	JPW Code (Hella Code)	JPW Code (Hella Code)
White (2 NM)	H61613 (2LT 980 910-001)	H61615 (2LT 980 910-011)
Red (2 NM)	H61629 (2LT 980 910-401)	H61631 (2LT 980 910-411)
Green (2 NM)	H61621 (2LT 980 910-201)	H61623 (2LT 980 910-211)



NavILED TRIO Tri Colour

LED Tri Colour with Anchor navigation lamp. Advanced materials and state of the art technology for reliability, efficiency and safety at sea.

Lamp	Black Housing
	JPW Code (Hella Code)
Tri-Colour (2 NM)	H61586 (2LT 980 650-001)

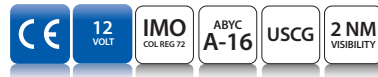
Power Consumption: Port, Starboard and Stern - Less than 3.5W combined All Round White / Anchor - Less than 1.5W
 Pre wired with 400mm cable
Dimensions (Base x H): 85^Ø x 95mm



Telescopic Navigation Light - 360°

Telescopic 360° navigation pole light with adjustable telescopic base, so that the light can be adjusted to any length.

- 12V 10watt globe.
- Power Consumption: 12W.
- Recommended for use on boats up to 12m.



Part No.	Base Mounting Type	Height (mm)
JPW1610	Chrome Plated	600mm
JPW1614	Replacement Lens only	

360° Bayonet LED Replacement

- LED replacement bulb with bayonet fitting.
- 12V 1.5W
- Light Source: 10 LED's.



Part No.

JPW11881

LED Festoon Replacement Bulb

LED replacement bulb for incandescent navigation and interior lights with festoon bulbs. A short festoon LED bulb designed as a direct replacement for many combination masthead and anchor lights.

- 12VDC (1W)
- 2nm visibility.
- 45 Lumens
- Contains 3x LED lights.

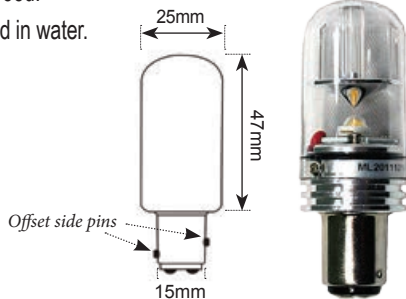


Part No.	Replaces Bulb Size (mm)
JPW11883	31

Polar Star40™ LED Navigation Replacement Bulb - 12/24v

The Polar Star 40 is specially designed as a direct replacement of many popular incandescent navigation lights such as Aqua Signal, Hella, Perko and Attwood.

- Floats when dropped in water.
- Offset pins
- 2nm visibility
- Power Draw, ~1W



Part No.

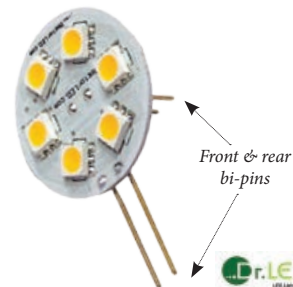
JPW11933



LED G4 Replacement

G4 MR11 LED disks are ideal for replacing your existing incandescent or halogen bi-pin bulbs. Ideal for use in marine, automotive, caravan, motor home and camper trailer applications.

- 9x super bright SMD chips (comparable to a 15-20W halogen).
- 120° lightning angle.
- 30mm chip diameter.
- 12V (1.5W) or 25V (3W).
- 120 Lumens (warm white).



Part No.	Type
JPW11905	12v
JPW11909	24v





Bluefin Surface Mounted LED Underwater Boat Lights

The Piranha Series surface mount LED underwater lights are a compact low profile design & perfect for all types of boats, suitable for transom and side mounting on all hull types. Incredibly simple to install with just one small cable entry hole & 3 mounting screws.

- Reverse polarity protection with in built driver technology and active thermal roll-back.
- Suitable for use in and out of water.
- Typical LED life expectancy 50,000 + hours.
- Over voltage, current, reverse polarity, active thermal protection.
- Hydro Block Technology.
- 2 years warranty.



Piranha P3 - Suits up to 7m/25ft

Part No.	Base	Colour	Lumens	Current
JPW12295	Aluminium	Diamond White	1400Lm	12v 1.2A
JPW12296	Aluminium	Cobalt Blue		
JPW12301	Brass	Diamond White		
JPW12302	Brass	Cobalt Blue		

Piranha P6 NITRO - Suits up to 14m/45ft

Part No.	Base	Colour	Lumens	Current
JPW12298	Aluminium	Diamond White	3150Lm	12v 3.5A
JPW12299	Aluminium	Cobalt Blue		
JPW12305	Brass	Diamond White		
JPW12306	Brass	Cobalt Blue		
JPW12309	Brass	Diamond White	24v 1.8A	
JPW12310	Brass	Cobalt Blue		

Piranha P12 Dual - Suits up to 20m/65ft

Part No.	Colour	Lumens	Current
JPW12315	Diamond White	5500Lm	12v 4.6A / 24v 2.35A
JPW12316	Cobalt Blue		
JPW12319	Dual White/Blue		

Piranha P6 Colour Change - Suits up to 14m/45ft

Controlled via a simple on/off toggle switch, and allows continuous synchronisation without costly external controllers.

Part No.	Base	Colour	Lumens	Current
JPW12313	Brass	Colour Change	2700Lm	12v 4.0A / 24v 2.0A

Options and Accessories

LED On/Off Rocker Switch



Part No.
JPW12409

Wireless Remote Kit

Compatible with all Bluefin LED lights and any on/off functions already on-board. Standard range of 61m (300m with a long range antenna).



Part No.	Description
JPW12403	12v Receiver
JPW12404	24v Receiver

WIFI DMX Colour Change LED Controller

For use with the underwater Colour Change LEDs. Control 90 lights and music via touch-pad wheel and WIFI to smart-phone/tablet.



Part No.
JPW12405

Complete Range

For larger vessels enquire about the complete range of Underwater lights from Bluefin LED.



Barracuda
Surface mounted
Suits up to 25m/80ft

Viper
Surface mounted
Suits up to 20m/65ft

Great White
Through hull
interchangeable
Suits up to 30m/105ft

Hammerhead
Surface mounted
Suits up to 30m/105ft

Mako
Through hull
interchangeable
Suits up to 20m/65ft

Stingray
Through hull
Suits up to 30m/105ft

ELECTRICAL 13

CHARGERS & SWITCH PANELS

Battery Chargers	214 - 217
Switch Panels	218 - 219

SWITCHES, SOCKETS

Battery Switches & Master Switches	220 - 221
Ignition Switches	219
Power Sockets & Adaptors	226 - 227
Rocker Switches	223 - 225
Toggle Switches	222

HORNS & BLOWERS

Bilge Blower	227
Horns & Horn Kits	227

TERMINALS & BATTERY HOLDERS

Battery Cable Lugs & Battery Connectors	236 - 237
Cable Connectors	232
Cable Ties, Clamps, Mounts & Clips	237
Circuit Breakers	229 - 230
Corrugated Split Sleeve Tubing & Fittings	238
Crimping Tools & Kit	234
Fuse Boxes	231
Fuse Holders	231
Fuses	228 - 229
Heat Gun	234
Heatshrink	238
Insulation Tapes	238
Junction Boxes	235
Solenoids & Reversing Solenoids	229
Spiral Wrap	237
Waterproof Connectors	235

MARINE CABLES

Battery & Starter Cables	239
Multi Core Cables	240

BATTERY

Battery Boxes	242
Battery Terminals	240
Battery Trays & Tie Down Straps	241

GAUGES & SENDERS

Gauges	242 - 243
Senders	243 - 244



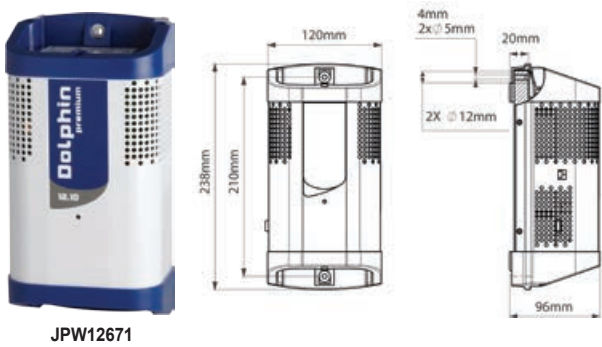
Dolphin Premium Battery Chargers

The third generation Dolphin range includes the new Premium model, a selection of high quality, value-for-money chargers up to 60 Amps in 12V and 20 Amps in 24V.

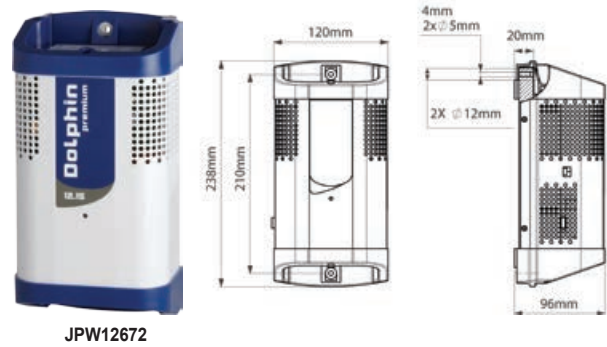
- Compact and robust aluminium and plastic housing.
- A total of three independent and isolated charging outputs.
- Easy connectivity utilising wireable plug and socket connectors.
- Four user-selectable charging programs for common battery types.
- Rated for full current output at 50° ambient before de-rating.
- Automatic weekly equalisation over all charging programs.
- Fan cooling models feature silent mode for quiet night time operation.
- Automatic changeover from 115VAC to 230VAC input (except 12V 10A and 15A model).
- All PCBAs are conformally coated to provide corrosion resistance.
- Automatic protection against output overload, excessive operating temperature and high voltage on output.
- Fuse protected against reverse polarity connection on output.

Dolphin
charger

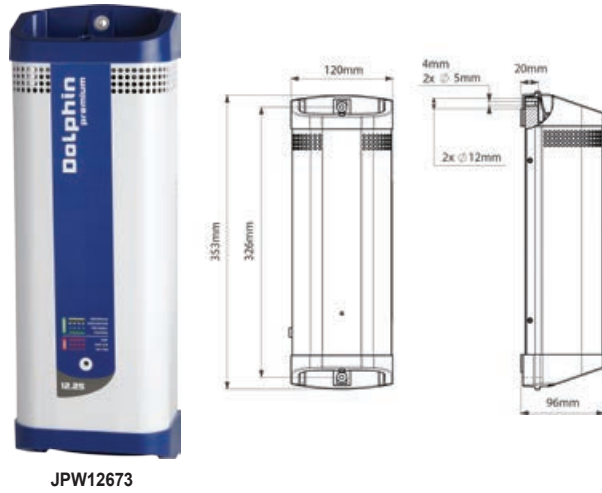
*Plug and Play
Charger*



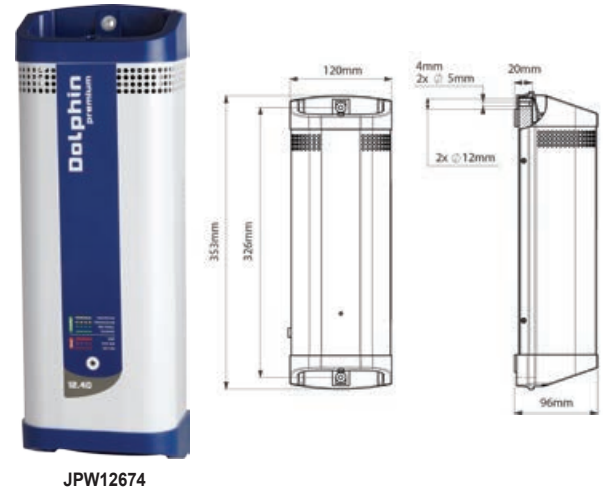
JPW12671



JPW12672



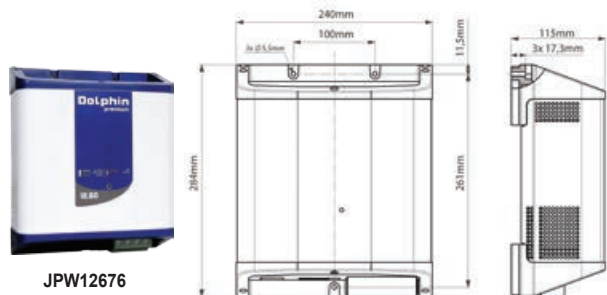
JPW12673



JPW12674



JPW12675



JPW12676

	Part No.	Part No.	Part No.	Part No.	Part No.	Part No.
	JPW12671	JPW12672	JPW12673	JPW12674	JPW12675	JPW12676
Model	12V 10A	12V 15A	12V 25A	12V 40A	24V 20A	12V 60A
Input Voltage	230V (+/- 15%) (115V available on request)		115V / 230V (+/- 15%) Automatic Switchover			
Frequency	50Hz / 60Hz (+/-10%)					
Cos	0.6 type		0.9 type			
Efficiency	80% type					
Max. Current 230V	1,3A	1,9A	4A / 2A	7A / 3.5A	7A / 3.5A	12A / 6A
Input Fuse (5x20mm)	T2A 250V	T3, 15A 250A	T6A 250V	T10A 250V	T10A 250V	T16A 250V
Outputs	3 isolated outputs					
Charging curves	4 programs, position selected by dip switch - one of which is for LiFeSO4 batteries with an integrated BMS					
Charging curve	IUUo + weekly automatic equalisation					
Weekly equalisation	Automatic					
Voltage share	+/-2%					
Ripple	< 1% pp (BW < 20MHz)					
Output Fuse (auto. mini)	F15A 32V	F20A 32V	2 x F15A 32V	2 x F25A 32V	2 x F15A 32V	3 x F25A 32V
Display	Tricolour LED					
Night/Silent Mode	Manual switch					
Operating Temperature	-10°C to +50°C					
Operating Humidity	10% to 90% (without condensation)					
Ventilation	Natural		Forced fan cooling			
Security	EN60335-2-29 (2002)					
Housing	Powder coated aluminium					
Mounting	2 screws 4mm					
Input terminals	20A 230V, 4mm ² max WINSTA - WAGO 770.813 / G11-000					
Battery terminal	4 Poles 35mm ² , 125amp max clamp terminals					
CAN BUS	No					Yes
Dimensions (mm) D x H x W	96 x 120 x 236		96 x 120 x 353			264 x 240 x 115
Weight	1.3kg		1.9kg			3kg

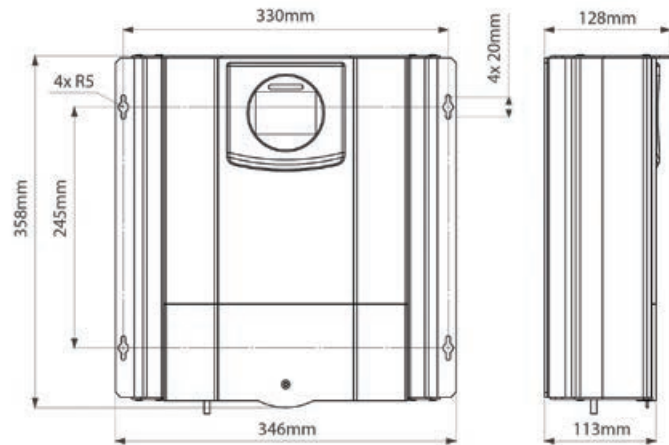
Dolphin Pro Battery Chargers

The third generation Dolphin range includes the powerful new Pro version for both professional and leisure applications.

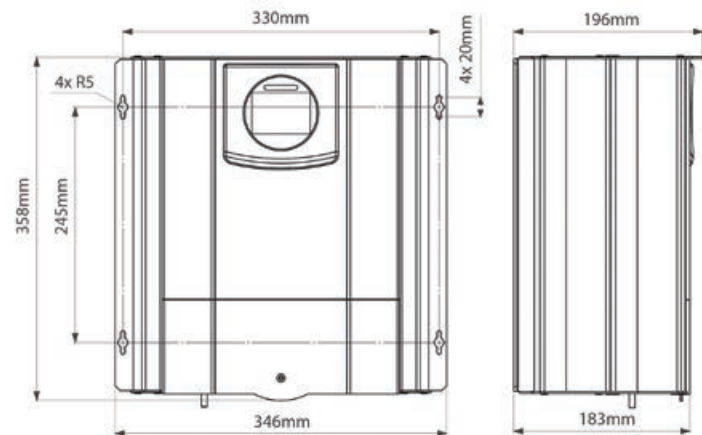


- Heavy duty construction in powder coated aluminium and stainless steel.
- User-friendly design for ease of installation, set-up and operation.
- Integrated control panel features LED indication of charging stages and errors.
- A total of three diode isolated charging outputs without voltage drop.
- Nine, user-selectable charging programs for complete flexibility in battery type.
- Will operate in high ambient environments up to 65° before de-rating.
- All PCBAs are conformally coated to provide corrosion resistance.
- Automatic protection against output overload, excessive operating temperature and high voltage on output.
- Fuse protected against reverse polarity connection on output.
- Incorporates open CAN BUS interface for connection to standard J1939 monitored systems.
- Touchview remote control and monitoring panel readily available as an option.

*Robust and
Powerful Marine
Battery Charger*



JPW12681, JPW12682, JPW12683, JPW12684, JPW12685



JPW12686

	Part No.	Part No.	Part No.	Part No.	Part No.	Part No.
	JPW12681	JPW12682	JPW12683	JPW12684	JPW12685	JPW12686
Model	12V 70A	12V 90A	12V 40A	24V 60A	24V 80A	24V 100A
Input Voltage	115V / 230V (+/- 15%) Auto Switch					230V (+/- 15%)
Frequency	50Hz / 60Hz (+/-10%)					
Cos	> 0.9 typ					
Efficiency	0.83		0.87			
Max. Current 230V	13A / 6A	16A / 7A	14A / 6A	15A / 9A	15A	17A
Input Fuse (6.3x32mm)	T20A					2x T20A
Outputs	3 isolated outputs					
Charging curves	9 programs, position selected by dip switch					
Charging curve	IUUo 3 modes					
Voltage share	+/-2%					
Ripple	< 1% (BW < 20MHz)					
Output Fuse (auto. mini)	4 x F30A		3 x F25A		5 x F25A	
Display	LED display or optional touch multi-colour Touchview					
Operating Temperature	-10°C to +55°C					
Operating Humidity	10% to 95% (without condensation)					
IP	IP22					
Ventilation	Forced fan adjustable speed cooling					
Safety	EN 60335-1					
EMC	EN 55016, IEC 61000					
Housing	Powder coated aluminium					
Mounting	Wall mounted 4 x M4 screws					
Dimensions (mm) D x H x W	346 x 358 x 128mm					346 x 358 x 128mm
Weight	6kg					11.5kg
AC Connection	3-point cage terminal 10mm ² max					
DC Terminal	4 M8 terminals					
Output alarm contact	1A 30V NO					
Battery Temp. sensor	2-point 1,5 mm ² cage terminal					
CAN BUS connection	2 Micro-Fit & RJ11					

4-Way LED Switch Panels



Fuse Protection panel includes:

- 4 Off/On switches with red 'On' illumination.
- 46 piece symbol set for RV and marine applications.

Circuit Breaker panel includes:

- 3 Off/On switches and 1 Momentary (On) switch.
- Symbol and switch illuminate green when 'On' and symbol illuminates red when 'Off'.
- 60 piece symbol set for RV and marine applications.
- Fuse and circuit breaker concealed under face cover.



N63190
Fuse protection



N63191
Circuit breaker protection

Part No.	Description	Amperage Rating	Mounting Openings (mm)	Dimensions (mm)
N63190	Fuse Protection	20A at 12V 10A at 24V	105 x 93	130 x 120
N63191	Circuit Breaker Protection		108 x 83	130 x 100

6-Way LED Switch Panels

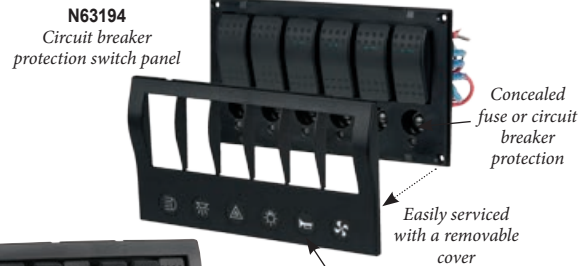


Fuse Protection panel includes:

- 6 Off/On switches with red 'On' illumination.
- 46 piece symbol set for RV and marine applications.

Circuit Breaker panel includes:

- 5 Off/On switches and 1 Momentary (On) switch.
- Symbol and switch illuminate green when 'On' and symbol illuminates red when 'Off'.
- 60 piece symbol set for RV and marine applications.



N63194
Circuit breaker protection switch panel



N63193
Fuse protection switch panel

Concealed fuse or circuit breaker protection

Easily serviced with a removable cover

Illuminated symbols glow red and turn green when switched on (circuit breaker model only)

Part No.	Description	Amperage Rating	Mounting Openings (mm)	Dimensions (mm)
N63193	Fuse Protection Switch Panel	20A at 12V 10A at 24V	157 x 93	183 x 120
N63194	C/Breaker Protection Switch Panel		160 x 83	183 x 100

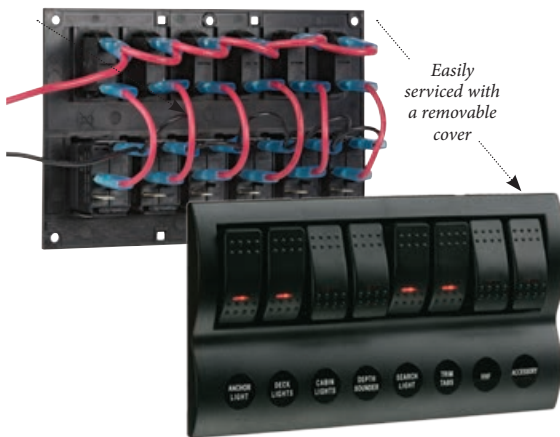
8-Way LED Switch Panels



Fuse protection panel includes:

- 8 Off/On switches with red 'On' illumination.
- 46 piece symbol set for RV and marine applications included.
- SPST, 'On' illumination.

Pre-wired for easy installation



Easily serviced with a removable cover

Part No.	Description	Amperage Rating	Mounting Openings (mm)	Dimensions (mm)
N63196	Fuse Protection Switch Panel	20A at 12V 10A at 24V	209 x 93	235 x 120

Spare Parts To Suit LED Switch Panels



Replacement switches to suit 4-Way, 6-Way and 8-Way Switch Panels (Fuse Protection and Circuit Breaker Protection).

- Replacement Marine & RV Sticker set includes symbols for anchor lights, bilge pump, bilge blower, flood lights, courtesy lights, search lights, deck lights, spot lights, cabin lights, trim tabs, GPS, Aux 1, 2 & 3, Acc, UHF, VHF, fridge, fresh water, wiper, reverse camera, fan, wiper washer, 12V, anchor, radio, depth sounder, hazard warning, horn.



N63113BL

N63114BL

N55310/15

N63178BL

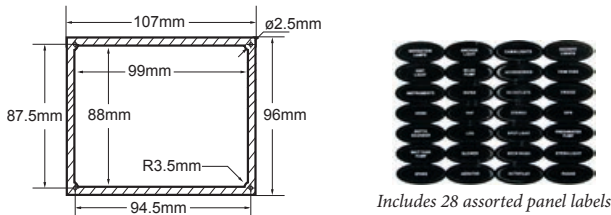
Part No.	Replacement Description
N63113BL	Off/On Green Switch
N63114BL	Off/On Red Switch
N63118BL	Off/Momentary (On) Green Switch
N63119BL	Off/Momentary (On) Red Switch
N63178BL	Replacement Marine & RV Sticker Set
N55310	Manual Reset Circuit Beakers 10Amp
N55315	Manual Reset Circuit Beakers 15Amp

Switch Panels with Fuse

Moulded black panel with fuses & labels, can be aligned to create a large bank of switches. Weatherproof with reinforced corners to prevent cracks. Pre-wired for use (12V) with in-line fuse holders containing a spare 15Amp fuse for each switch.

Mounting gasket for watertight seal (includes mounting template).

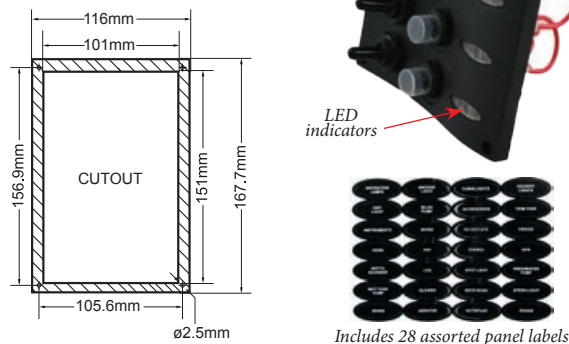
- Rubber water resistant boots on switches.
- 20Amp rated toggle switches
- 15Amp waterproof in-line fuse holders & fuses.



6-Way Switch Panel with Circuit Breaker

Sealed waterproof switch panel with LED illuminated lights and manual reset circuit breakers. Ideal for marine applications or caravan.

- Pre-wired for DIY installation.
- Mounting gasket for watertight seal (includes mounting template).
- Rubber water resistant boots on switches.
- 15 amp manual reset circuit breakers.
- Fully wired for use (12V).



Part No.	Panel Type	Protection
JPW12969	6 Gang Switch Panel	6 x 15Amp Circuit Breaker

Marine Ignition Switch - 3 Position



Corrosion proof plastic construction with brass screw terminals.

- Suitable for marine applications.
- Push for choke function.
- Spring return action for start.
- Supplied with two encapsulated keys.
- Amperage ratings at 12V, 10A ignition, 5A start, 1A choke.



Part No.
N64008

Marine Ignition Switch - 4 Position



- H/duty brass construction with screw terminals.
- Suitable for marine applications.
- Supplied with two encapsulated keys.
- Spring return action for start.
- Amperage ratings at 12V, 10A accessories, 5A ignition, 5A start.



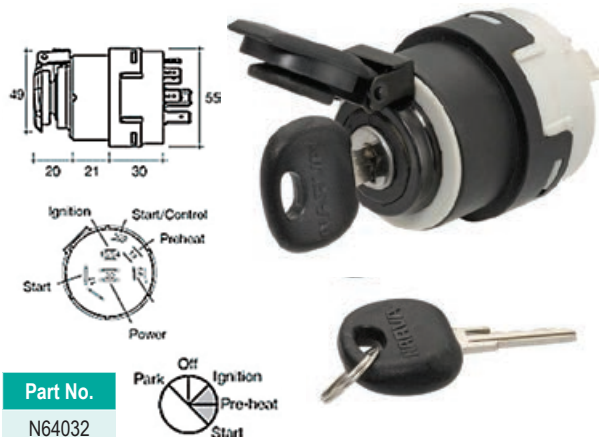
Part No.
N64012

Diesel Ignition Switch - 5 Position



A versatile five-position diesel ignition switch features spring return action for pre-heat and start. The corrosion proof plastic body will withstand the harsh marine environment.

- Push-on terminals
- Spring return action for pre-heat and start
- Supplied with two encapsulated keys
- Mounting opening diameter - 26.5mm
- Amperage ratings - 12V, 8A Park Lamp, 35A Ignition, 60A Pre-heat, 60A Start



Part No.
N64032

Battery Switch with Removable Key

- Turn and remove key to isolate electrical system.
- Suitable 12V & 24V applications.
- Rated at 500A @ 12V.



Part No.	Description
JPW6129	Battery Isolator Switch with key
JPW6130	Battery Isolator Switch with Rubber Cap & Key



Battery Master Switch Single Pole 350A

A heavy duty device for switching high current in many boat and yacht applications. Featuring sealed IP65 construction, robust die cast housing, thermoplastic T-handle, all in a compact housing.

- Rating Volts: 48VDC.
- Current: 350/3500 Amps Sustained 5/sec.
- Configuration: Normally Open.



Part No.
JPW12795

Heavy Duty Battery Master Switch

Heavy duty battery selector switch: 1, 2, both or off positions.

- Suitable for 12V or 24V
- 300A @ 12V for 5 seconds
- 175A @ 12V continuous load maximum.
- Base diameter: 135 x 135mm
- Height: 700mm



Part No.
JPW6131



Battery Master Switch Double Pole 250A

"A heavy duty device for switching super high current in many boat and yacht applications. Featuring sealed IP65 construction, robust die cast housing, die cast T handle, all in a compact housing.

- Rating Volts: 48VDC.
- Current: 250/2500 Amps Sustained 5/sec.
- Configuration: Normally Open.

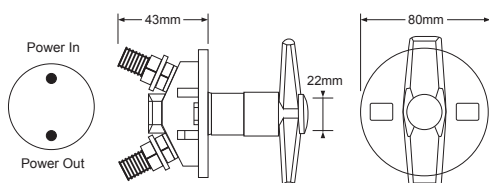


Part No.
JPW12796

Marine Battery Master Switch **NARVA**

Nickel plated with solid copper terminals for superior corrosion resistance. This product is ideal for automotive and marine applications exposed to salt water and other harsh environmental conditions.(IP67)

- 1000A @ 12V for 5 seconds
- 500A @ 24V for 5 seconds
- 300A @ 12V continuous load maximum.
- 150A @ 12V continuous load maximum.



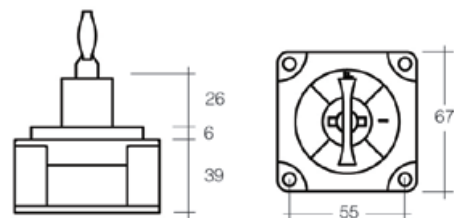
Part No.
N61044BL



Battery Master Switch **NARVA**

This product, which comes with a removable key, features brass terminals and heavy duty plastic construction making it ideal for marine applications or automotive requirements where the switch is exposed to the weather.

- Suitable for applications up to 48VDC.
- 1500A @ 12V for 10 seconds
- 750A @ 24V for 10 seconds
- 300A @ 12V continuous load maximum
- 150A @ 24V continuous load maximum



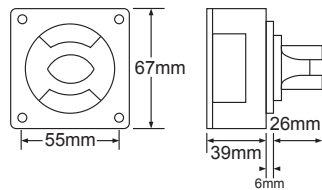
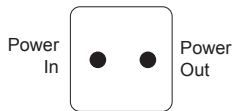
Part No.
N61078BL

Rotary Style Battery Master Switch



This battery master switch features brass terminals and heavy duty plastic construction, making it ideal for marine applications or automotive requirements where the switch is exposed to the weather.

- Suitable for applications up to 48VDC.
- 1500A @ 12V for 10 seconds
- 750A @ 24V for 10 seconds
- 300A @ 12V continuous load maximum
- 150A @ 24V continuous load maximum



Part No.
N61082BL

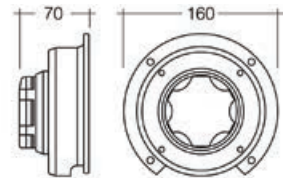
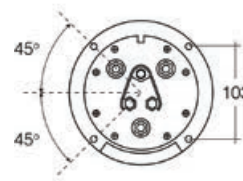
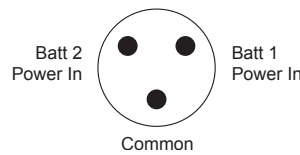
Heavy Duty Battery Master Switch



This rotary-style battery master switch is ideal for heavy duty automotive and marine applications, and includes a four position feature.

4 Position Feature - Battery 1 and 2; Battery 1; Battery 2; Off.

- 500A @ 12V for 5 minutes
- 250A @ 24V for 5 minutes
- 310A @ 12V continuous load maximum
- 155A @ 24V continuous load maximum



Part No.
N61090

(Mounting dimensions are in mm)

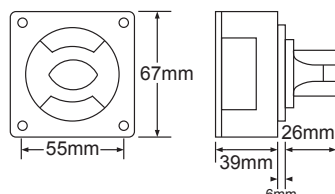
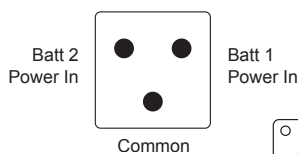
4-Position Battery Master Switch



This rotary-style battery master switch features brass terminals and heavy-duty plastic construction making it ideal for marine applications.

4 Position Feature - Battery 1 and 2; Battery 1; Battery 2; Off.

- Suitable for applications up to 48V.
- 1500A @ 12V for 10 seconds.
- 750A @ 24V for 10 seconds.
- 300A @ 12V continuous load maximum.
- 150A @ 24V continuous load maximum.



Part No.
N61084BL

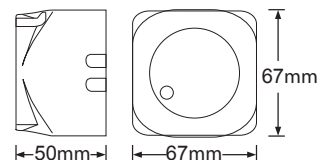
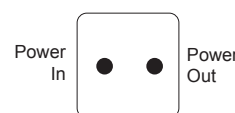
Voltage Sensitive Relays 12V



Automatically connects and disconnects an appliance or circuit at the preset input voltage. Ideal for dual battery systems or to switch high current appliances.

Features surge protection, L.E.D indicator, silver tipped contacts for durability and efficiency, with a weatherproof body (IP65).

- 12V Cut-in: 13.3V
- 12V Cut-out: 12.7V (5 second delay)
- 12V @ 160A for 60 seconds
- 12V @ 140A continuous load max



Part No.	Description
N61092BL	12V Relay 140Amp

On/Off Toggle Switch

SPST, solid brass body with chrome-plated toggle switch.

- Screw terminals.
- Amperage rating 20A @ 12V / 10A @ 24V.



Part No.	Switch Configuration
N60062BL	Off/On

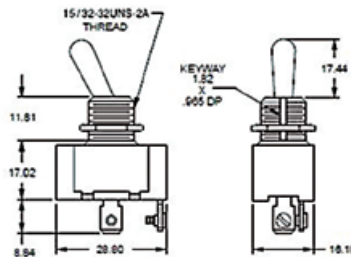
JPW12931
Rubber Boot to suit Toggle Switch (sold separately)



Toggle Switch Single Pole

A general single-pole all-purpose workhorse tailored to meet any need. This versatile switch to easily integrate into a variety of different applications.

- Rating: 21Amp @12VDC / 9Amps @24VDC
- Suitable for low voltage 12/24V DC
- Push On Termination is 6.25mm blade.
- Nickel plated brass toggles.



Part No.	Switch Configuration
JPW12701	Off/On
JPW12702	On/Off/On

JPW12931
Rubber Boot to suit Toggle Switch (sold separately)

Off/On/Sealed Toggle Switch with Off/On Tab

SPST pre-wired with 200mm leads.

- Amperage rating 20A @ 12V, 10A @ 24V.



Part No.	Switch Configuration
N60070BL	Off/On

JPW12931
Rubber Boot to suit Toggle Switch (sold separately)

Switch with Waterproof Neoprene Boot

Momentary (On) Heavy-duty push button switch with waterproof neoprene Boot SPST.

- Die-cast housing
- Silver contacts
- Brass screw terminals
- Amperage rating 60A at 12V, 30A at 24V

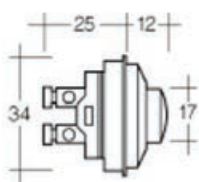


Part No.	Switch Configuration
N60033BL	Mom (On)

Momentary (On) Push Button Switch

Waterproof rubber boot included.

- SPST, screw terminals.
- Amperage rating 16A at 12V, 8A at 24V.



Part No.
N60039BL

Toggle Switch with Rubber Boot - Black

- Waterproof rubber boot to suit toggle switches.
- Thread size M12 x 0.75mm



Part No.
JPW12931

Carling Contura II V-Series Rocker Switches



The V-Series Contura II rocker switches are the switch of choice for the marine industry. Feature snap-in panel mounting, an interchangeable actuator, quick-connect terminals with barriers and are available in single or double pole with or without indicators.

Part No. (Carling Code)	Switch Config.	Current Rating	Voltage	Indication	Fig.	Switch Circuit	No. Poles
JPW12601 (V1BAB80BAMC)	Off/On	15 Amps	24v	Yes	2	1	1-Pole
JPW12602 (V1DAB60BAMC)	Off/On	20 Amps	12v	Yes	2	1	1-Pole
JPW12604 (V1DAS00BAZC)	Off/On	20 Amps	12v	No	1	1	1-Pole
JPW12605 (V2DAS00BAZC)	Off/(On)	20 Amps	12v	No	1	2	1-Pole
JPW12606 (V4DAD66BANC)	On/On	20 Amps	12v	Yes	3	4	1-Pole
JPW12607 (V4DAS00BAZC)	On/On	20 Amps	12v	No	1	4	1-Pole
JPW12608 (V6BAD88BANC)	On/Off/On	15 Amps	24v	Yes	3	6	1-Pole
JPW12609 (V6DAD66BANC)	On/Off/On	20 Amps	12v	Yes	3	6	1-Pole
JPW12610 (V6DAS00BAZC)	On/Off/On	20 Amps	12v	No	1	6	1-Pole
JPW12611 (V7DAB60BAMC)	On/Off/(On)	20 Amps	12v	Yes*	2	7	1-Pole
JPW12612 (V7DAS00BAZC)	On/Off/(On)	20 Amps	12v	No	1	7	1-Pole
JPW12613 (V8DAS00BAZC)	(On)/Off/(On)	20 Amps	12v	No	1	8	1-Pole
JPW12614 (VADAB60BAMC)	Off/On	20 Amps	12v	Yes	2	1	2-Pole
JPW12615 (VADAS00BAZC)	Off/On	20 Amps	12v	No	1	1	2-Pole
JPW12616 (VDDAS00BAZC)	On/On	20 Amps	12v	No	2	4	2-Pole
JPW12617 (VJDAS00BAZC)	On/Off/On	20 Amps	12v	No	1	6	2-Pole
JPW12618 (VLDAS00BAZC)	(On)/Off/(On)	20 Amps	12v	No	1	8	2-Pole
JPW12619 (V1BAS00BAZC)	On/Off	15 Amps	24v	No	1	1	1-Pole
JPW12620 (V6BAS00BAZC)	On/Off/On	15 Amps	24v	No	1	6	1-Pole
JPW12621 (V7BAS00BAZC)	On/Off/(On)	15 Amps	24v	No	1	7	1-Pole
JPW12622 (VJBAD88BANC)	On/Off/On	15 Amps	24v	Yes	3	6	2-Pole
JPW12624 (VLBAS00BAZC)	(On)/Off/(On)	15 Amps	24v	No	1	8	2-Pole

Position shown inside brackets are momentary action only (not latching)



1 x indicator



2 x indicators

Mounting Panels



JPW12654

JPW12655

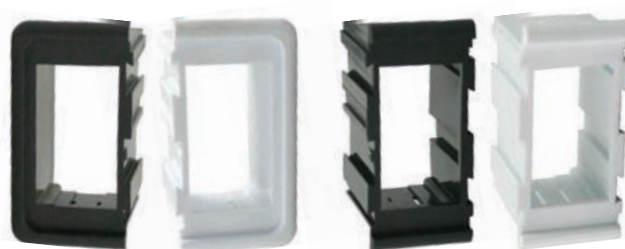
1 Gang Module Cluster



JPW12656
3 Gang Module Cluster

JPW12657
6 Gang Module Cluster

Modular Mounting Panels



JPW12650

JPW12651

JPW12652

JPW12653

End Section

Middle Section

V-Series Rocker Switch - Trim Tab



JPW12625
Starboard Side Rocker Switch



JPW12626
Port Side Rocker Switch

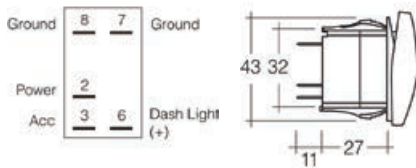


L.E.D Illuminated Sealed Rocker Switch

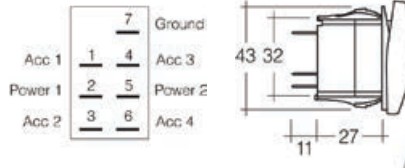
Rocker switch to suit wide range of Narva switch actuators, SPDT, push-fit design with push on terminals, 'Dash Light' & 'On' illumination

- Amperage rating 20A at 12V, 10A at 24V.
- Mounting opening: 37.5 x 21mm.

Off/On



Momentary (On)/Off/ Momentary (On)



Actuator Sets 'Pick & Mix'

After selecting your switch choose from the choice of actuator sets below



N63262BL
Roof Lights/LED Light Bar/Aux Lights



N63270BL
Fridge/Work Light/Accessory



N63290BL
Anchor Power/Anchor Up-Down/Trim Tabs



N63274BL
Reverse Camera/Radio/Power



N63276BL
Wiper/Wiper Washer/Fan



N63288BL
Interior Lights/Courtesy Lights/Flood Lights



N63280BL
Deck Lights/Search Lights/Cabin Lights



N63282BL
Anchor Lights/Depth Sounder/Nav Lights



N63286BL
Bilge Pump/Bilge Blower/Fresh Water



N63268BL
Beacon/Hazard/Horn



N63272BL
AUX 1/AUX 2/AUX 3



N63278BL
GPS/UHF/VHF



N63284BL
12V/24V/Ignition

Sealed Rocker Switches



Sealed rocker switches with fully sealed fascia preventing the ingress of dust, water and debris. Idea switch for marine conditions. Available in single and dual pole functions, 12 and 24volt applications.



Part No.	Switch	Current Rating	Voltage	No. Poles
N63100BL	Off/On	20A @12v / 10A @24v	12/24v	1-Pole
N63102BL	Off/(On)	20A @12v / 10A @24v	12/24v	1-Pole
N63104BL	On/On	20A @12v / 10A @24v	12/24v	1-Pole
N63106BL	On/Off/On	20A @12v / 10A @24v	12/24v	2-Pole
N63108BL	Off/On/On	20A @12v / 10A @24v	12/24v	2-Pole
N63110BL	(On)/Off/(On)	20A @12v / 10A @24v	12/24v	2-Pole

Positions shown in brackets are momentary action only (not latching)

Spare Parts to Suit Rocker Switches

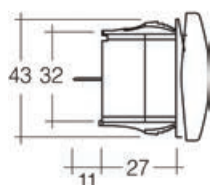


Dual USB L.E.D Illuminated Socket (Blue) - 12/24v



A powerful dual USB socket capable of charging/powering multiple devices simultaneously. Designed to match the 'Laser Etched Rocker Switches' for a uniform look when banked together, or can be installed independently for a factory fit and finish. Features dustproof cover and laser etched text and symbol which illuminates blue for ease of identification.

- Output 5V, 3.1A.
- Mounting Opening: 37.5 x 21mm.



Part No.
N63218BL

Sealed LED Rocker Switches



These top-end switches feature backlit opal panels with red or blue L.E.D illumination and dual voltage circuitry to suit both 12 and 24 volt applications.

Available in single and dual pole functions, the switch's actuator has a soft rubberised, non-slip texture.

Select from sticker sets that cover a range of marine applications. Interconnecting switch panels allow the switches to be banked together in any combination.



Switches can be banked together using interconnecting mounting panels

Part No.	LED Colour	Switch	Current Rating	No. Poles
N63158BL	Red	Off/On	20A @12v / 10A @24v	1-Pole
N63159BL	Blue	Off/On	20A @12v / 10A @24v	1-Pole
N63164BL	Red	Off/ Mom (On)	20A @12v / 10A @24v	1-Pole
N63165BL	Blue	Off/ Mom (On)	20A @12v / 10A @24v	1-Pole
N63166BL	Red	On/On	20A @12v / 10A @24v	2-Pole
N63167BL	Blue	On/On	20A @12v / 10A @24v	2-Pole
N63168BL	Red	On/Off/On	20A @12v / 10A @24v	2-Pole
N63169BL	Blue	On/Off/On	20A @12v / 10A @24v	2-Pole
N63170BL	Red	Off/On/On	20A @12v / 10A @24v	2-Pole
N63171BL	Blue	Off/On/On	20A @12v / 10A @24v	2-Pole
N63172BL	Red	Mom (On)/Off/ Mom (On)	20A @12v / 10A @24v	2-Pole
N63173BL	Blue	Mom (On)/Off/ Mom (On)	20A @12v / 10A @24v	2-Pole

Positions shown in brackets are momentary action only (not latching)



Select from 50 popular RV & Marine symbols (black) to customise your L.E.D illuminated switch actuator.

Includes symbols (pictured) & descriptions: anchor lights, bilge pump, bilge blower, flood lights, courtesy lights, search lights, deck lights, spot lights, cabin lights, trim tabs, GPS, Aux 1, 2 & 3, Acc, UHF, VHF, fridge, fresh water, reverse camera, wiper, fan, wiper washer, 12V, anchor, radio, depth sounder, hazard warning, horn



Power Accessory Sockets & Meters

These products features a dustproof cover and heavy duty construction. The fitting mechanism allows installation into interior or exterior panels including steel and aluminium. They can also be installed with or without the mounting panel.

- Mounting opening: 29mm diameter.

Cigarette Lighter Socket - Heavy Duty

- Amperage rating: 20A @ 12V, 10A @ 24V.



N81026BL

Engel Type Socket - Heavy Duty

- Amperage rating: 15A @ 12V, 7.5A @ 24V.



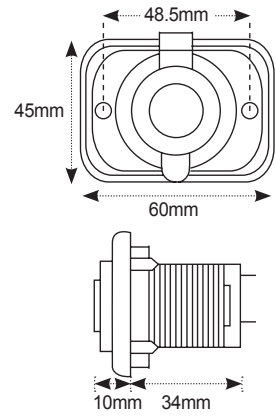
N81132BL

Dual USB Socket - Heavy Duty

- USB Output: 5V, 2.5A.



N81134BL



Socket Volt Meter LED

Easy to read LED volt meter displays accurate battery voltage level for quick reference.

- Volt meter range 6-33V



N81135BL

Socket Amp Meter LED

Easy to read LED amp meter displays accurate battery voltage level for quick reference.

- Amp meter range 0.5-20 Amp



N81136BL

Flush Mounted Faceplates

Custom create your own power socket combination with the following face plate housings. Use any of the single power sockets to create a twin or triple combination.



N81149BL
Twin Housing Black



N81149SBL
Twin Housing Silver



N81189BL
Triple Housing Black



N81189SBL
Triple Housing Silver

Accessory / Engel Socket / Dual USB

Heavy-duty dual flush mount power sockets with rubber dustproof and splashproof protected covers. Suitable for interior or exterior fitment.

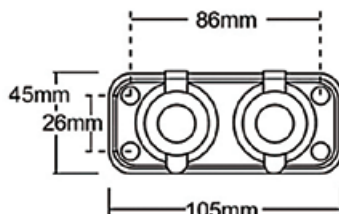
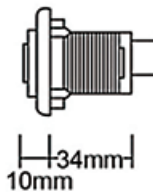


Cigarette Lighter/ Engel Type Socket - Heavy Duty

- Cig Accessory Amp rating: 20A @ 12v | 10A @ 24v
- Engel Amp rating: 20A @ 12v | 10A @ 24v

Part No.

N81141BL



Cigarette Lighter/ Dual USB Socket - Heavy Duty

- Cig Accessory Amp rating: 20A @ 12v | 10A @ 24v
- Dual USB output 5V, 2.5A

Part No.

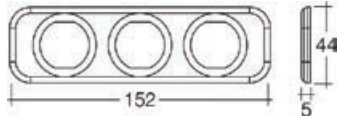
N81144BL

Socket Accessory/USB/Volt Flush Mount

- Accessory Amp rating: 20A @ 12v | 10A @ 24v
- Dual USB output 5V, 2.5A • Volt meter range 6-33V



Part No.
N81181BL



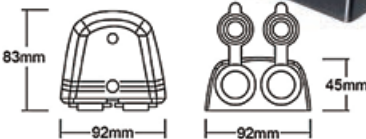
Socket Dual Acc/USB Twin Surface Mount

Includes dustproof covers and stylish surface mount plastic housing. The moulded housing allows easy installation to interior or exterior panels.

- Accessory Amp rating: 20A @ 12v | 10A @ 24v
- Dual USB output 5V, 2.5A



Part No.
N81168BL



Twin USB Power Adaptor

Ideal for running multiple electronic items, this compact USB adaptor offers a flush factory finish when fitted.

- Illuminated LED fascia to indicate the sockets are active (and provides easy night time use).
- Suitable for use with 12V or 24V vehicles and power supplies.
- 5V, 2.5A output.



Part No.
N81039BL

Power Plug & Cigarette Socket

Cigarette lighter plug and socket is suited for exterior or interior use.

- Socket is fitted with a waterproof rubber cap to seal off when not in use.
- A green light indication on plug.
- Includes a fuse for increased safety.



Part No.	Dimensions (mm)	
	Base	Cut Out Dia
JPW12960	60 x 62	28

Stainless Steel Compact Electric Horn

A compact marine horn with a stainless steel cover & mounting base, with a non-corrosive black ABS plastic horn base and rubber mounting gasket.

- Draw : 3Amps @ 12 volts
- Sound rating : 100 db
- Horn Size : L 90 x W 80 x H 50mm

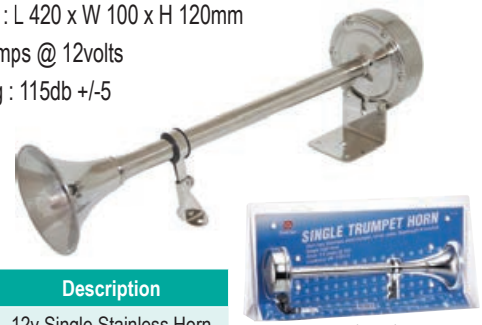


Part No.	Description
JPW5894	12v Single Compact Horn

Stainless Steel Electric Horn

Marine quality trumpet horns with 100% stainless steel exterior. Supplied complete with integral stainless steel mounting bracket on rear and shaft of horn.

- Horns Sizes : L 420 x W 100 x H 120mm
- Draw : 2.5Amps @ 12volts
- Sound rating : 115db +/-5



Part No.	Description
JPW5896	12v Single Stainless Horn

Packaged

In-Line Bilge Blower

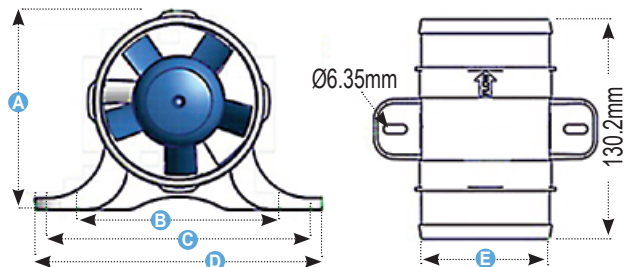
Easy to install, in-line 12v bilge blowers with 3" or 4" hose intake.

- High volume ventilation with low amp draw.
- Sealed motor shaft and wires for moisture protection.
- Meets ABYC U.S. Coast Guard, CE Standards.



JPW12980
3" Blower

JPW12981
4" Blower



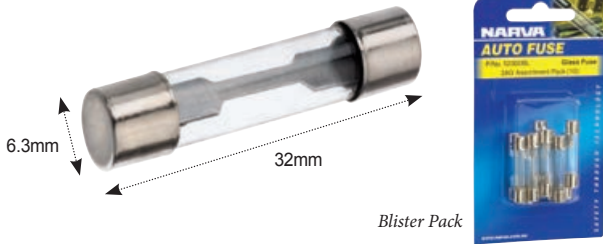
Part No.	A	B	C	D	E
JPW12980	90mm	92mm	120mm	130mm	76mm
JPW12981	115mm	118mm	146mm	157mm	101mm

Part No.	Suit Hose Size	Amps	Flow Rate
JPW12980	3" (75mm)	1.5A	120 CFM Open Flow
JPW12981	4" (100mm)	2.5A	130 CFM Open Flow

Glass Fuses - 3AG

Available in for retail sales in blister packs or bulk 10 packs for trade.

- Internal soldered cap: 6.3mm in diameter x 32mm long.



Part No. Blister Pk	Qty. (per pack)	Part No. Box Pk	Qty. (per Box)	Amps
N52301BL	5	N52301	50	1
N52302BL	5	N52302	50	2
N52303BL	5	N52303	50	3
N52305BL	5	N52305	50	5
N52307BL	5	N52307	50	7.5
N52310BL	5	N52310	50	10
N52315BL	5	N52315	50	15
N52320BL	5	N52320	50	20
N52325BL	5	N52325	50	25

ANL Fuses



Copper alloy construction ANL fuses for excellent conductivity, mated with a convenient inspection window and gold plated finish. Ideally suited to high current applications such as anchor winches.

Part No.	Amps
N53908	80A
N53910	100A
N53912	125A
N53915	150A
N53918	175A
N53920	200A
N53925	250A



Quick CNL Fuses



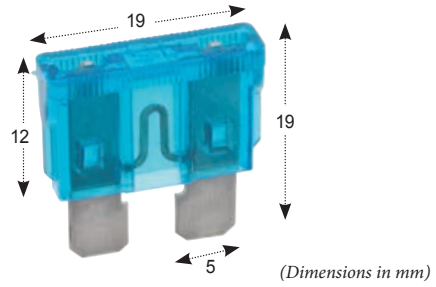
CNL DIN replacement fuses to suit the range of Quick BTQ, BTQR and BTQH bow thrusters.

Part No.	Amps
QFVEFF125CNLDA00	125A
QFVEFF150CNLDA00	150A
QFVEFF175CNLDA00	175A
QFVEFF225CNLDA00	225A
QFVEFF250CNLDA00	250A
QFVEFF275CNLDA00	275A
QFVEFF325CNLDA00	325A
QFVEFF350CNLDA00	350A
QFVEFF400CNLDA00	400A
QFVEFF500CNLDA00	500A



Standard ATS Blade Fuses

Standard blade fuses are the most common of the blade fuse type. Available in packs of 50 or convenient blister pack of 5, these fuses come in a range of amperage ratings from 3 through to 40 Amps.

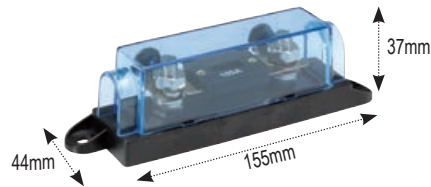


Part No. Blister Pk	Qty. (per pack)	Part No. Box Pk	Qty. (per Box)	Amps
N52803BL	5	N52803	50	3
N52805BL	5	N52805	50	5
N52807BL	5	N52807	50	7.5
N52810BL	5	N52810	50	10
N52815BL	5	N52815	50	15
N52820BL	5	N52820	50	20
N52825BL	5	N52825	50	25
N52830BL	5	N52830	50	30
N52840BL	5	N52840	50	40

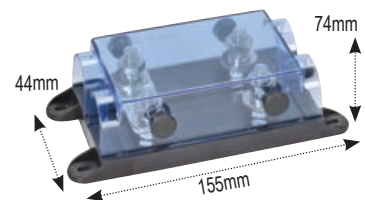
In-Line ANL Fuse Holders



Transparent cover and rubber grommets to securely retain square fuses.



Twin In-Line Fuse Holder



Part No.	Fuse Included
N54416	100Amp
N54417	150Amp
N54418	250Amp
N54419	No Fuse

Part No.	Fuse Included
N54436	No Fuse

Quick CNL Fuse Holder



Quick's CNL fuses holder for use with installation of thrusters.



Part No.	Holder
QFVEPTFH3000A00	Fuse Holder - TFH3

Fuse Assortment Case



This transparent plastic case with 18 sections contains 360 popular glass, mini blade and standard ATS blade fuses. A base label identifies the fuse with a graphic image, Part No. and description to make re-ordering easy.



Comprises (units):

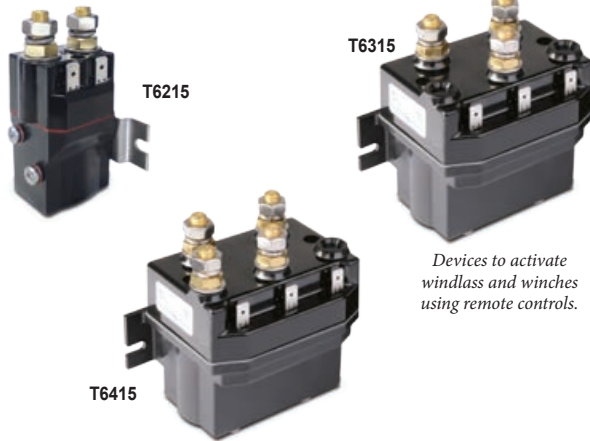
- 52305 x 20 52715 x 20 52815 x 40 52310 x 20
- 52720 x 20 52820 x 20 52315 x 20 52725 x 20
- 52825 x 20 52320 x 20 52730 x 20 52830 x 20
- 52707 x 20 52805 x 20 52710 x 20 52810 x 40

Part No.
N52020

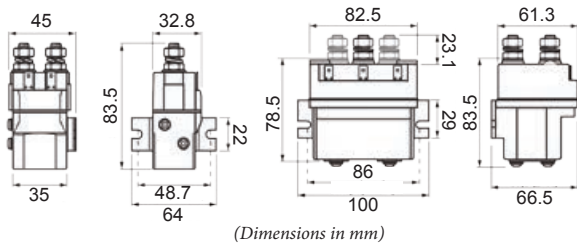
Solenoids and Reversing Solenoids

These replacement contactor and reversing contactor units suit the Quick range of windlass products but are capable of operating electric motors for all permanent and series motors. Their external connections are very easy to install.

All solenoids rated to 150amps and IP66 water protection.



Devices to activate windlass and winches using remote controls.

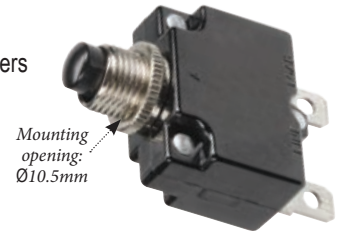


Part No.	Model	Motor Type	Volts
QFTT621512000B00	T6215-12	Series	12
QFTT621524000B00	T6215-24	Series	24
QFTT631512000B00	T6315-12	Series	12
QFTT631524000B00	T6315-24	Series	24
QFTT641512000B00	T6415-12	Permanent	12
QFTT641524000B00	T6415-24	Permanent	24

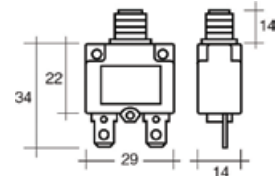
Circuit Breaker - Manual Reset



Panel mount circuit breakers with manual reset 12-24v.



Part No.	Amps
N55305	5A
N55310	10A
N55315	15A
N55320	20A
N55330	30A



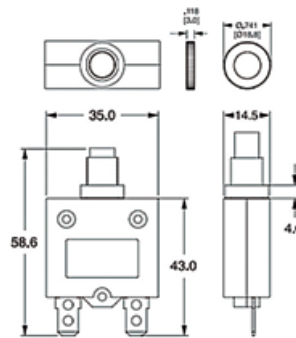
(Dimensions in mm)

Thermal Circuit Breakers



The Carling CLB-Series is a compact, single pole, push-to-reset thermal circuit breakers.

• Voltage: 48VDC / 250VAC



(Dimensions in mm)



JPW12780
Clear silicon boot to suit CLB breakers

Part No.	Rating (Amps)	Part No.	Rating (Amps)
JPW12770	3	JPW12775	25
JPW12771	5	JPW12776	30
JPW12772	10	JPW12777	35
JPW12773	15	JPW12778	40
JPW12774	20		

Circuit Breakers - High Amp Manual Reset

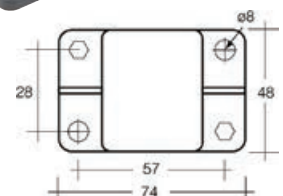
Sealed for engine compartment or marine applications, with unique reset mechanism providing visible indication of tripped circuit.

- Operating Temperature: -32°C to 82°C
- Voltage: 12-42V.



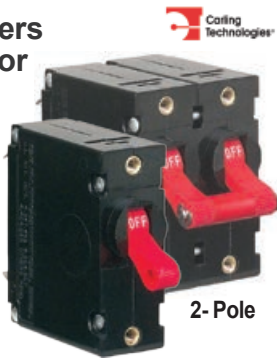
(Dimensions in mm)

Part No.	Amps
N55960	60A
N55962	80A
N55964	100A
N55966	120A
N55968	150A

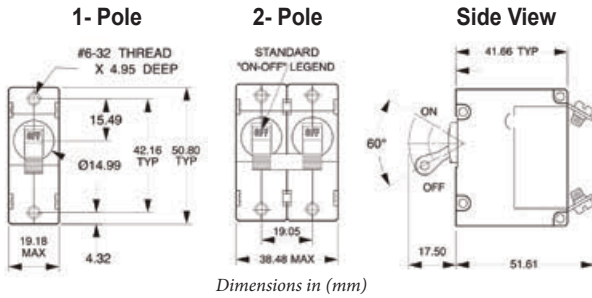


Magnetic Circuit Breakers 'A-Series' Lever Actuator

Carling A-Series circuit breakers have long been recognised as the industry standard in marine circles. Used extensively in switchboards and panels by boat and ship builders worldwide.



1- Pole 2- Pole



Dimensions in (mm)

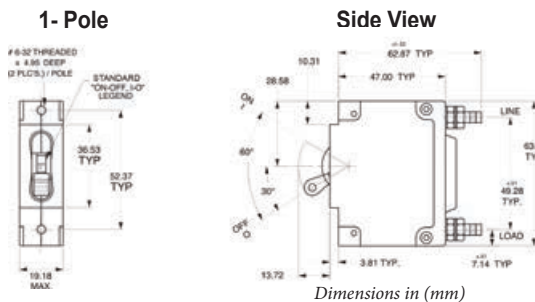
Part No. Single Pole	Part No. Double Pole	Rating (Amps)	Voltage
JPW12711	JPW12719	5	80VDC / 277VAC
JPW12712	JPW12720	10	80VDC / 277VAC
JPW12713	JPW12721	15	80VDC / 277VAC
JPW12714	JPW12722	20	80VDC / 277VAC
JPW12715	JPW12723	25	80VDC / 277VAC
JPW12716	JPW12724	30	80VDC / 277VAC
JPW12717	JPW12725	40	1 Pole: 65VDC / 125VDC 2 Pole: 65VDC / 250VAC
JPW12718	JPW12726	50	65VDC / 125VDC

Magnetic Circuit Breakers 'C-Series' Lever Actuator

Carling C-Series circuit breakers are a heavy duty version of the renown A-Series. Ideal for both switchboard applications and individual branch protection.



1- Pole

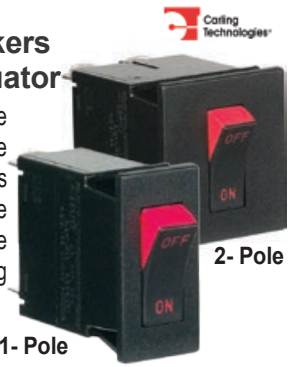


Dimensions in (mm)

Part No. Single Pole	Rating (Amps)	Poles	Voltage
JPW12727	60A	1	80VDC / 250VAC
JPW12728	80A	1	60VDC / 240VAC
JPW12729	100A	1	60VDC / 240VAC

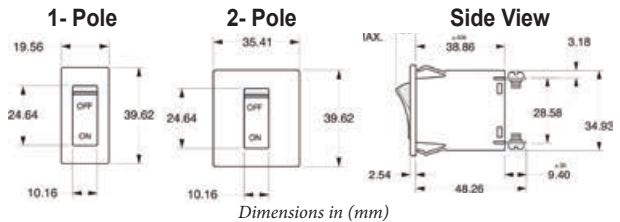
Magnetic Circuit Breakers 'M-Series' Rocker Actuator

M-Series is widely used throughout the marine and transport industry because of their compact design. The M-Series features a unique dual colour scheme to provide quick recognition when the circuit is 'ON'. Snap-in panel mounting requires no fasteners.



1- Pole

2- Pole



Dimensions in (mm)

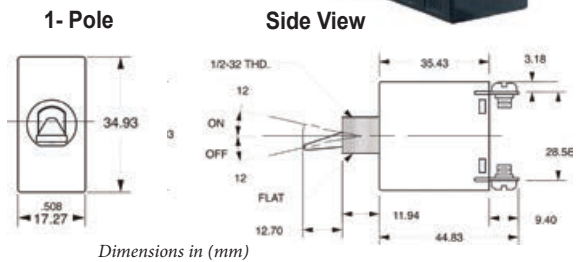
Part No.	Voltage	Rating (Amps)	Part No.	Voltage	Rating (Amps)
JPW12731	1 Pole: 32VDC / 250VAC	5	JPW12734	1 Pole: 32VDC / 125VAC	20
JPW12737	2 Pole: 65VDC / 250VAC		JPW12740	2 Pole: 65VDC / 250VAC	
JPW12732	1 Pole: 32VDC / 250VAC	10	JPW12735	1 Pole: 32VDC / 125VAC	25
JPW12738	2 Pole: 65VDC / 250VAC		JPW12741	2 Pole: 65VDC / 250VAC	
JPW12733	1 Pole: 32VDC / 125VAC	15	JPW12739	2 Pole: 65VDC / 250VAC	

Magnetic Circuit Breakers 'M-Series' Paddle Actuator

M-Series 'duck bill' style paddle actuator. Single hole panel mounting for quick assembly. Fundamental design is simplistic but practical.



1- Pole



Dimensions in (mm)

Part No. Single Pole	Rating (Amps)	Voltage
JPW12742	5	32VDC / 250VAC
JPW12743	10	32VDC / 250VAC
JPW12744	15	32VDC / 125VAC
JPW12745	20	32VDC / 125VAC
JPW12746	25	32VDC / 125VAC

Weatherproof ATS Blade Fuse Holder

Standard in-line fuse holder, features a weatherproof cap.
 • Amperage rating 30A.

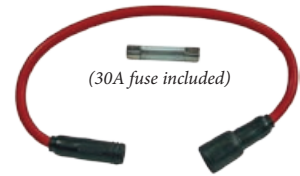


(Fuse not included)

Part No.	Type	Fuse included
N54406	Bag Pack 1	No
N54406/10	Bulk Pack of 10	No

In-Line Watertight Glass Fuse Holder

Amperage rating 30A.
 • Watertight seal.



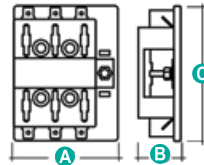
(30A fuse included)

Part No.
JPW12944

Fuse Block & Transparent Cover - 6 or 8-Way

Standard ATS blade fuse block with transparent cover & single power-in terminal.

• Amperage rating 25A per circuit at 12V, 150A max per block.



Includes circuit identification stickers for commonly fused accessories.

Part No.	Description	Dimensions (mm)		
		A	B	C
N54431	6-Way Fuse Block	67	40	93
N54433	8-Way Fuse Block	83	40	93

Pre-Wired ATS Blade Fuse Holder

• Waterproof standard In-Line fuse holder.
 • Amperage rating 30A.



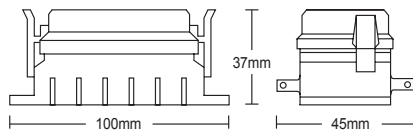
(Fuse not included)

Part No.	Type	Fuse included
N54405/10	Bulk Pack of 10	No
N54405BL	Blister Pack	No

ATS Blade Fuse Box

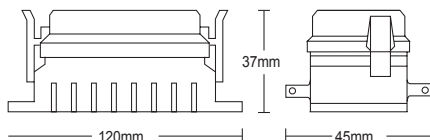
• Standard ATS blade fuse box with transparent cover and gasket.
 • Suitable for lateral connection with female 6.3mm blade terminals.
 • Amperage rating 30A per circuit at 12V.

'6-Way' (12 terminals)



Part No.
N54422BL

'8-Way' (16 terminals)



Part No.
N54424BL

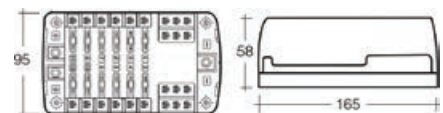
ATS Blade Fuse (Plug-In Type Circuit Breaker Block) '12-Way' Standard

A professional fuse box eliminates extensive and messy wiring in applications with limited earth connections such as caravans, motor homes and marine applications.

- Max Amps per circuit: 30A at 12V.
- Max Amps per block: 120A at 12V.
- Max voltage: 32V DC.
- Multiple earth returns.
- Single grounding terminal.
- Dual power input terminals.
- Suitable for use with ATS blade fuses and plug-in circuit breakers.
- Lockable transparent cover.
- Includes 84 labels to suit commonly used accessories.



Part No.
N54450BL



Terminals & Connectors

Flared vinyl insulated and conveniently colour-coded.

• Tab Size: 6.3 x 0.8mm

	Blister Pack Part No.	Qty / Pack	Boxed Part No.	Qty. / Pack	Description	Wire Size (mm)	Tab or Dia. Size	
							(mm)	(inch)
	N56020BL	14	N56120	100	Male blade terminal, flared vinyl insulated	2.5 - 3mm	6.3 x 0.8	1/4
	N56022BL	14	N56122			4mm		
	N56024BL	14	N56124			5 - 6mm		
	N56034BL	18	N56134	100	Female blade terminal, flared vinyl insulated	2.5 - 3mm	6.3 x 0.8	1/4
	N56036BL	14	N56136			4mm		
	N56038BL	12	N56138			5 - 6mm		
	N56042BL	10	N56142	100	Female blade terminal, flared vinyl fully insulated	4mm	6.3 x 0.8	1/4
	N56044BL	10	N56143		Female blade terminal, transparent polycarbonate, fully insulated	4mm		
	N56044BL	10	N56144		Female blade terminal, flared vinyl fully insulated	5 - 6mm		
	N56046BL	14	N56146	100	Male bullet terminal, flared vinyl insulated	2.5 - 3mm	4	5/32"
	N56048BL	14	N56148			4mm	5	3/16
	N56050BL	12	N56150	100	Female bullet terminal, flared vinyl insulated	2.5 - 3mm	4	5/32"
	N56052BL	11	N56152			4mm	5	3/16
	N56055BL	8	N56155	50	Male bullet terminal, flared vinyl insulated	5 - 6mm	5.0	3/16
	N56057BL	8	N56157		Female bullet terminal, flared vinyl insulated			
	N56054BL	15	N56154	100	Cable joiner flared vinyl, fully insulated (butt splice)	2.5 - 3mm	-	-
	N56056BL	14	N56156			4mm	-	-
	N56058BL	8	N56158			5 - 6mm	-	-
	N56062BL	21	N56162	100	Spade terminal flared vinyl, insulated	2.5 - 3mm	4.3	5/32
	N56064BL	21	N56164			2.5 - 3mm	5.0	3/16
	N56066BL	20	N56166			4mm	4.3	5/32
	N56068BL	21	N56168			4mm	5.0	3/16'
	N56069BL	25	N56169	100	Ring terminal flared vinyl, insulated (eye terminal)	2.5 - 3mm	3.0	1/8
	N56070BL	25	N56170				4.3	5/32
	N56072BL	25	N56172				5.0	3/16
	N56074BL	16	N56174				6.3	1/4
	N56075BL	16	N56175				8.4	5/8
	N56076BL	25	N56176	100	Ring terminal flared vinyl, insulated (eye terminal)	4mm	4.3	5/32
	N56078BL	25	N56178				5.0	3/16
	N56080BL	20	N56180				6.3	1/4
	N56082BL	14	N56182				8.4	5/16
	N56083BL	12	N56183				9.5	3/8
	N56084BL	14	N56184	100	Ring terminal flared vinyl, insulated (eye terminal)	5 - 6mm	4.3	5/32
	N56086BL	14	N56186				5.0	3/16
	N56088BL	12	N56188				6.3	1/4
	N56090BL	10	N56190				8.4	5/16
	N56092BL	10	N56192				9.5	3/8
	N56093BL	12	N56193				13	1/2

Solder Splice Terminators

Our solder splice terminators combine all the advantages of heatshrink, low-melt solder and waterproofing protection glands - creating a fast, waterproof, electrically reliable and fully insulated connection without the use of a soldering iron, crimping tool or solder.



Step 1: Position wires into solder splice



Step 2: Heat solder splice with heating tool or a butane gas heating tool. Tubing will shrink plus solder will melt and flow through the stripped wires.

Part No.	Qty (per pack)	Wire Size (mm)
N56380	25	1.5 - 2.5
N56380BL	5	1.5 - 2.5
N56382	25	2.5 - 4.5
N56382BL	5	2.5 - 4.5
N56384	25	4.5 - 7
N56384BL	5	4.5 - 7



Heatshrink Blade Terminals

Transparent, heat shrinkable.

- High density poly-olefin.
- Adhesive lined.
- Tab size: 6.3 x 0.8mm

Male - 50 pack

Part No.	Wire Size (mm)	Colour
N56320	2.5 - 3	Red
N56322	4	Blue
N56324	5 - 6	Yellow



Heatshrink Ring Terminal (Red - 50 pack)

Transparent, heat shrinkable, high density poly-olefin.

- Conveniently colour-coded.
- Adhesive lined.

Part No.	Wire Size (mm)	Tab Dia. Size (mm)
N56358	2.5 - 3	4.3
N56360	2.5 - 3	5.0
N56362	2.5 - 3	6.3



Female - 50 pack

Part No.	Wire Size (mm)	Colour
N56328	2.5 - 3	Red
N56330	4	Blue
N56332	5 - 6	Yellow



Heatshrink Ring Terminal (Blue - 50 pack)

Transparent, heat shrinkable, high density poly-olefin.

- Conveniently colour-coded.
- Adhesive lined.

Part No.	Wire Size (mm)	Tab Dia. Size (mm)
N56364	4	5.0
N56366	4	6.3
N56368	4	8.4



Heatshrink Cable Joiners - 50 pack

- Transparent, heat shrinkable, high density poly-olefin.
- Conveniently colour-coded.
- Adhesive lined.

Part No.	Wire Size (mm)	Colour
N56350	2.5 - 3	Red
N56352	4	Blue
N56354	5 - 6	Yellow



Heatshrink Ring Terminal (Yellow - 50 pack)

Transparent, heat shrinkable, high density poly-olefin.

- Conveniently colour-coded.
- Adhesive lined.

Part No.	Wire Size (mm)	Tab Dia. Size (mm)
N56370	5 - 6	6.3
N56372	5 - 6	8.4
N56374	5 - 6	9.5



Professional Terminal & Connector Assortment

NARVA

Designed for the tradesman, auto electrician or motor mechanic. This durable plastic case includes 20 separate sections containing 910 pieces of the most popular insulated terminal and connector types. Each section is identified for re-ordering by a colour chart inside the lid of the case.

- 'Tradesman' plier type crimping tool is supplied as standard.

Comprises (units):

56120 x 50 56146 x 50 56172 x 50 56160 x 15 56122 x 50
 56148 x 50 56174 x 50 56160 x 15 56134 x 50 56150 x 50
 56178 x 50 56504BL x 1 56136 x 50 56152 x 50 56180 x 50
 56141 x 50 56154 x 50 56188 x 40 56143 x 50 56156 x 50
 56190 x 40.



Part No.

N56530

Flameless Heat Gun

This convenient heat gun is ideal for automotive, household and hobby applications. Features an easy-to-use trigger action with locking option.

- Comes supplied with refillable cigarette lighter (gas not included) and heat shield.
- Lighter can be refilled using butane filler gas or easily replaced with a standard cigarette lighter.



Part No.

N56392BL

Description

Flameless Heat Gun

N56393

Replacement Heat Shield

N56393
Heat shield

'Tradesman' Crimping Tool

A quality yet competitively priced plier style crimping tool with cushioned handles, suitable for red, blue and yellow insulated and non-insulated terminals. Strips and cuts wire from 2.5mm – 6mm and cuts bolts M2.5 – M5.



Part No.

N56504BL

'Professional' Crimping Tool

Quality heavy duty plier style crimping tool with excellent wire cutting and stripping facility, suitable for red, blue and yellow insulated and non-insulated terminals.



Part No.

N56508

Strips & Cuts Wire (mm)

2.5 - 6

Cuts Bolts

M2.5 - M5

Deutsch® Crimping Tool

A high quality tool created a precise (4 indents) crimp for 14 AWG solid pin Deutsch® terminals.



Part No.

N56507

Crimped terminal

Cable Stripping Tool

Efficient design makes wire stripping quick and easy. Strips and cuts wire from 1.13mm² – 6.0mm². Can also be used to crimp insulated and non-insulated terminals.



Part No.

N56511

Heavy Duty Cable Cutting Tool

This quality tool is manufactured for cutting cable up to 60mm.



Part No.

N56515

Professional Ratchet Crimping Kit

NARVA

Ideal for the tradesman, auto electrician, motor mechanic or handyman. This crimping kit features 4 interchangeable heads, allowing one tool to service all your crimping needs - from insulated and non-insulated terminals, through to cable lugs.

The easy-to-use heavy-duty ratchet action and spring release provides a high quality crimp.

Interchangeable Heads



Head A: Suitable for blue, red and yellow insulated terminals.



Head B: Suitable for cable lugs sizes 2.5mm - 16mm.



Head C: Double crimp, suits non-insulated terminals.



Head 12: Single crimp, suits non-insulated terminals.



Part No.

N56513

8-Way Weatherproof Junction Box

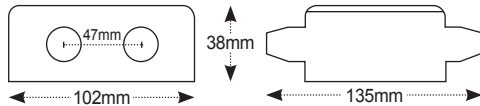
Constructed of electrically insulated rubber with transparent cover for easy inspection. Four cable entry points can be cut to size to suit various cable diameters.

- Suits cables up to 6mm.
- Amperage rating: 30A per circuit.



Part No.

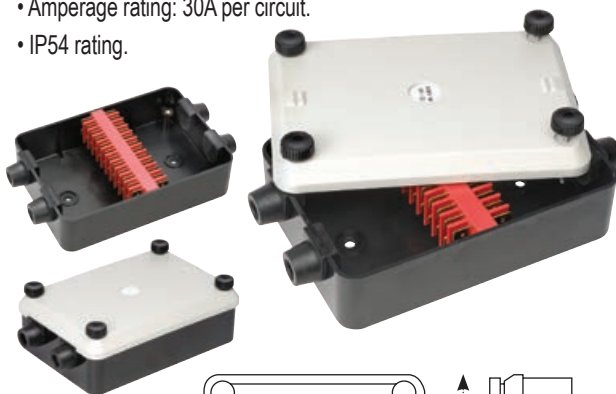
N57810



12-Way Junction Box

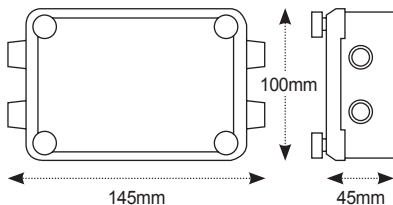
Constructed from heavy-duty plastic with four cable entry points and convenient removable blade terminal block. Access to the internals is easy via four knurled screws that don't require tools and a silicone gasket embedded within the lid ensures a tight and weatherproof seal.

- Suits cables up to 6mm.
- Amperage rating: 30A per circuit.
- IP54 rating.



Part No.

N57820

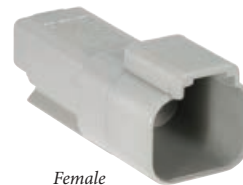


Deutsch® Connectors

This high end connector ensures unparalleled reliability and performance in harsh environments. Suited to the marine, mining and transport sectors where the slightest degradation in connection is critical. Thermoplastic (-55°C to +125°C rated) housings and silicone seals ensure protection from extreme temperatures and excessive moisture.

- Weatherproof connectors with terminals, wedge & seals.
- Amp rating: 13A
- Use **N56507** Deutsch® Crimping Tool for a professional finish.

2-way Female/Male



Female



Male

Part No.	Description
N57402	Pack of 10, Female only
N57412	Pack of 10, Male only
N57422BL	2-Way Blister pack - 1 Female and 1 Male only

3-way Female/Male



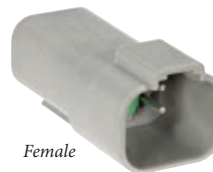
Female



Male

Part No.	Description
N57423BL	3-Way Blister pack - 1 Female and 1 Male only

4-way Female/Male



Female



Male

Part No.	Description
N57424BL	4-Way Blister pack - 1 Female and 1 Male only

Battery Cable Lugs



Electro tin-plated copper for high conductivity.

- Long shank for secure crimping (double crimping is also possible).
- Split fold for a better finish on soldered terminals.
- Bell ends for easy insertion.
- Sold in packs of 10.

	Part No.	Qty / Pack	Internal Dia (mm)	Cable Size (mm ²)	Suits B&S Ref (mm)	Suits Stud Size (mm)	Ref. Number
	N57124	10	5.5	16mm ²	6 B&S	6	16-6
	N57125					8	16-8
	N57126					10	16-10
	N57128	10	6.9	25mm ²	3 B&S	6	25-6
	N57129					8	25-8
	N57130					10	25-10
	N57132	10	8.3	35mm ²	2 B&S	6	35-6
	N57133					8	35-8
	N57134					10	35-10
	N57137	10	9.5	50mm ²	0 B&S	8	50-8
	N57138					10	50-10
	N57139					13	50-12
	N57140	10	11.2	70mm ²	00 B&S	8	70-8
	N57141					10	70-10
	N57142					13	70-12

Cable Lug Assortment



Contains 165 Narva cable lugs ranging from 10mm² – 70mm². Packed in a quality plastic case with an identification chart for easy re-ordering.



Part No.
N57110

Comprises: (units)

57120 x 10 57128 x 10 57137 x 10 57121 x 10 57129 x 10
 57138 x 10 57122 x 10 57130 x 10 57139 x 10 57124 x 10
 57132 x 10 57140 x 5 57125 x 10 57133 x 10 57141 x 5
 57126 x 10 57134 x 10 57142 x 5.

Watertight Cable Gland

Black plastic electrical cable gland used when running cables throughout your boat. Protects against corrosion and humidity & keeps a watertight seal where cables run from wet into dry areas.

- Includes cable base, cap, rubber gasket to seal & 3x stainless steel fixing screws.
- Watertight IP67



Part No.	Suits Cable Size (mm)
QFC8111000000A00	5 - 10
QFC8113000000A00	7 - 12
QFC8116000000A00	10 - 14



Watertight Electrical Connectors

Black plastic deck mounted plug and socket connectors from Quick are fully waterproof. Contacts are gold plated to produce a high current rating and low resistance.

- Comes complete with plug & socket, choice of 3 different size cable gaskets, screw tight cap and rubber gasket connects to the base for watertight seal when removing the plug plus 4 fixing screws to secure in place.
- Watertight IP67

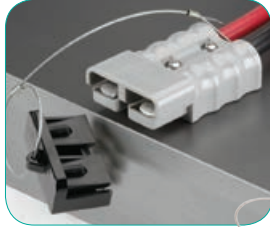


Part No.	Voltage	Model	Poles	Amps
QFC7103000000A00	48	7103	3	12A
QFC7105000000A00	48	7105	5	7A
QFC7106000000A00	48	7106	6	6A
QFC7107000000A00	48	7107	7	5A
QFC7108000000A00	48	7108	8	4A
QFC7109000000A00	48	7109	9	4A
QFC7110000000A00	48	7110	10	3A
QFC7112000000A00	48	7112	12	3A

Heavy Duty Battery Connectors - (Anderson Plugs)

Hard plastic cover suits surface mounted connectors for protection and a secure fit.

- Impact resistant polycarbonate housing.
- Comprises of 2 silver-plated solid copper terminals.



Part No.	Amperage Rating	Suits Cable Size	Dimensions (mm) (L x W x H)
N57200	50A	8mm ² (8 B&S)	48 x 36 x 16
N57215	175A	32mm ² (2 B&S)	79 x 52 x 25

Pipe/Cable Support Clamps

Manufactured from high quality U.V. resistant EPDM rubber moulded to galvanised steel for superb clamp strength.

- Sold in packs of 10

Part No.	Inside Dia (mm)	Ref No.
N56483	19	PS4
N56484	22	PS5
N56485	27	PS6
N56486	32	PS7
N56487	35	PS8
N56488	40	PS9
N56489	45	PS10
N56490	50	PS11
N56491	55	PS12
N56492	60	PS13



Cable Ties

Quick fastening and simple locking mechanism - flexible & strong with bell-mouthed head for easier threading.

- Strongest possible locking power without damaging the serrations of the tie.
- Sold in packs of 100.



Part No.	Inside Dia (mm)
JPW2100	100
JPW2110	200
JPW2120	300

Cable Tie Bulk Pack

A selection of popular black cable ties in a convenient bulk pack (10 packs of 100).

Contains 1000 cable ties in total:

- 200x **N56400** (100mm x 2.5mm).
- 200x **N56402** (140mm x 3.6mm).
- 400x **N56404** (200mm x 4.8mm).
- 200x **N56406** (300mm x 4.8mm).

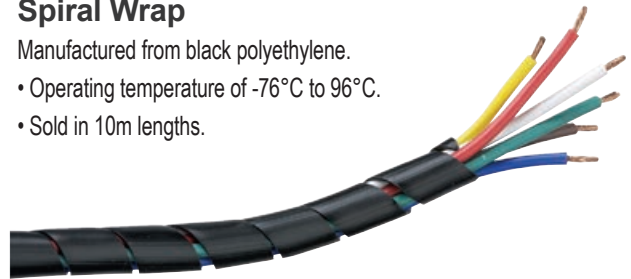
Part No.	Description
N56430	Mixed 1000 Pack



Spiral Wrap

Manufactured from black polyethylene.

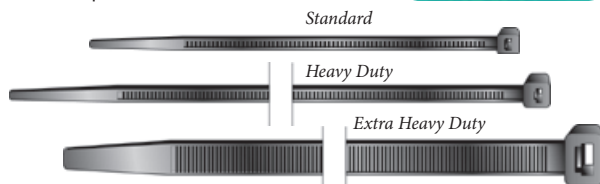
- Operating temperature of -76°C to 96°C.
- Sold in 10m lengths.



Part No.	Internal Dia (mm)	Wrapping Range Dia. (mm)
N56700	6	6-18 dia
N56702	12	12-35 dia

Cable Ties - UV & Weather Resistant

- Standard to extra heavy duty.
- Features bent tips for easy entry.
- Sold in packs of 100.



Part No.	Description	Dimensions (mm) (L x W)
N56400	Standard	100 x 2.5
N56402	Standard	140 x 3.6
N56404	Standard	200 x 4.8
N56406	Standard	300 x 4.8
N56410	Heavy Duty	370 x 7.6
N56414	Extra H/Duty	530 x 9.0

Nylon Cable Clips (P-Clips)

Manufactured from UV-resistant nylon.

- Ideal for all applications including marine.
- Sold in packs of 100

Part No.	Internal Dia (mm)
N56581	4.3
N56582	6.4
N56583	7.9
N56584	9.5
N56585	12.7
N56586	15.9
N56587	19.0



Insulation Tape

Flame retardant with gloss finish.

- 19mm wide / 20m length.

Part No.	Colour
N56830BK	Black
N56830RD	Red



Harness Tape

PVC harness tape with matte finish.

- 25mm wide / 20m length.

Part No.	Colour
N56840BK	Black



Heatshrink Tubing

Made from flame-retardant/self-extinguishing poly-olefin. The adhesive used also creates a waterproof seal making it suitable for most auto/marine applications.

- Sold as a single 1.2m length



Part No.		Pre-Shrunk Dia (mm)	Shrunk Dia (mm)
Black	Red		
N56612	N56632	3.2	1.6
N56614	N56634	4.8	2.4
N56616	N56636	6.4	3.2
N56618	N56638	9.5	4.8
N56620	N56640	12.7	6.4
N56622	N56642	19	9.5
N56624	N56644	25.4	12.7

Assortment Packs of 12

Heatshrink tubing, all 150mm long.

Part No.	Dia (mm)
N56600	3.2 - 6.4
N56602	9.5 - 19



Assortment Box - 216 Piece

Heatshrink tubing selection - various sizes.

45mm Lengths - Black: 50x 2.5mm; 20x 4.5mm; 10x 10mm; 30x 3.5mm; 10x 6mm; 10x 13mm

- Red: 20x 2.5mm; 10x 4.5mm; 10x 10mm; 15x 3.5mm; 5x 6mm; 10x 13mm

75mm Lengths:

- Black: 8x 20mm;
- Red: 8x 20mm

Part No.
N56604



Dual Wall Heatshrink Tubing - Assortment Pack of 6

Lined with an inner adhesive, providing excellent weather resistance and adhesion to cable.

- Pack of 6 (various diameters, all 300mm long).

Part No.	Dia (mm)
N56650	3 - 6



Assortment Box - 105 Piece

Dual wall heatshrink tubing selection - various sizes.

45mm Lengths

Black: 28x 3.2mm; 6x 9.5mm; 7x 6.4mm; 16x 4.8mm

Red: 8x 4.8mm; 12x 3.2mm; 3x 9.5mm; 4x 6.4mm

75mm Lengths

Black: 5x 12.7mm;

3x 19.1mm; 4x 25.4mm;

Red: 3x 12.7mm;

2x 19.1mm; 4x 25.4mm;

Part No.
N56654



Corrugated Split Sleeve Tubing

Black UV-resistant, fire-retardant polypropylene for general applications.

- No tools required, just snap together.
- Operating temperature -20°C to 90°C

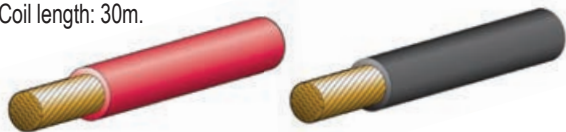


Part No.	Length Per Bag/ Spool (m)	Tube Size (mm)	Internal Dia (mm)
N56707	10	7	7.0
N56710	10	10	9.7
N56713	10	13	12.6
N56716	10	16	16.3
N56720	10	20	21.1
N56723	5	23	23.0
N56729	3	29	29.0
N56736	5	36	36.0
N56748	5	48	48.0

Battery & Starter Cables

For battery and starter cable applications

- Meets AS/NZS 3808 standards.
- Voltage Rating: 60V DC or 25V AC
- Coil length: 30m.

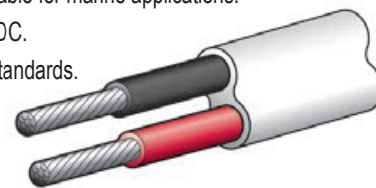


Part No.		Nearest B&S Size	Normal Area (mm ²)	Stand No/Dia	Amps Rating
Black	Red				
JPW88100	JPW88102	8	7.71	96/0.32	74
JPW88104	JPW88106	6	13.5	168/0.32	103
JPW88108	JPW88110	4	20.26	252/0.32	135
JPW88112	JPW88114	3	26.45	329/0.32	168
JPW88116	JPW88118	2	32.07	399/0.32	188
JPW88120	JPW88122	0	49	608/0.32	246
JPW88124	JPW88126	00	64.15	798/0.32	292

Tinned Twin Core Cable

For marine trailer wiring, general purpose wiring, lights, instrumentation.

- Red and black with white sheath.
- Tin coated copper suitable for marine applications.
- Voltage Rating: 120V DC.
- Meets AS/NZS 3808 standards.



Part No.	Cable Size Dia (mm)	Stand No/Dia	Normal Area (mm ²)	Amps Rating	Coil Length (m)
JPW88168	3	14/0.32	1.13	16	50
JPW88169					100
JPW88170	4	23/0.32	1.84	22	50
JPW88171					100
JPW88172	6	57/0.32	4.5	38	50
JPW88173					100

Tinned Single Core Cables - Extra Low Voltage

For general pleasure craft marine wiring

- Tin coated copper suitable for the marine applications
- Voltage Rating: 120V DC
- Meets AS/NZS3808 standards.
- Coil length: 50m.

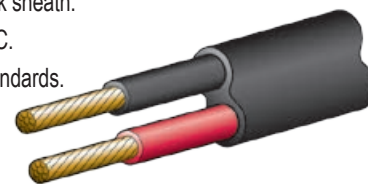


Part No.		Nearest B&S Size	Normal Area (mm ²)	Stand No/Dia	Amps Rating
Black	Red				
JPW88140	JPW88142	4	1.84	23/0.32	28
JPW88144	JPW88146	6	4.59	57/0.32	48

Twin Sheath 2 Core Cable

For trailer wiring, general purpose wiring, lights, instrumentation.

- Red and black with black sheath.
- Voltage Rating: 120V DC.
- Meets AS/NZS 3808 standards.

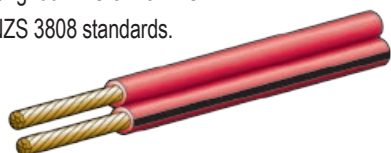


Part No.	Cable Size Dia (mm)	Stand No/Dia	Normal Area (mm ²)	Amps Rating	Coil Length (m)
JPW88133	3	14/0.32	1.13	16	30
JPW88134					100
JPW88135	4	23/0.32	1.84	22	30
JPW88136					100
JPW88137	6	57/0.32	4.59	38	30
JPW88138					100

Twin Core Figure 8 Cables

For speaker connection hook-up.

- Colours: Red with a black strip
- Voltage Rating: 60V DC or 25V AC
- Meets AS/NZS 3808 standards.



Part No.	Nearest B&S Size	Normal Area (mm ²)	Stand No/ Dia (mm)	Amps Rating	Coil Length (m)
JPW88156	3	1.13	14/032	10	100
JPW88158	3	1.13	14/032	10	30
JPW88160	4	1.84	23/0.32	15	100
JPW88162	4	1.84	23/0.32	15	30

Tinned 3 Core Cable

Marine trailer wiring, general purpose marine wiring applications.

- 3 core colours: (White, Yellow, Brown) White Sheath.
- Tin coated copper suitable for marine applications.
- Voltage Rating: 120V DC.
- Meets AS/NZS 3808 standards.
- 100mtr - coils available on request.

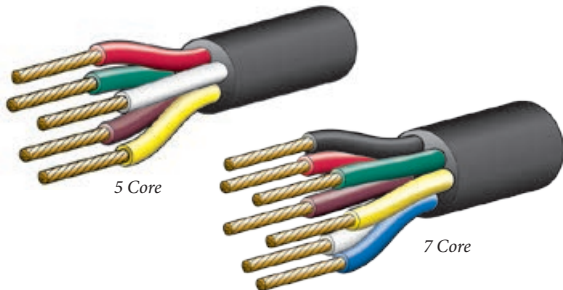


Part No.	Cable Size Dia (mm)	No. Of Cores	Stand No/ Dia	Conductor X Section (mm ²)	Amps Rating	Coil Length (m)
JPW88186	4	3	23/0.32	1.84	19	50
JPW88187	100m roll					

Multi Core Trailer Cable

For caravan & trailer wiring applications.

- 5 Core Colours: (White, Yellow, Brown, Red, Green) Black Sheath.
- 7 Core Colours: (White, Yellow, Brown, Red, Green, Black, Blue) Black Sheath.
- Voltage Rating: 60V DC or 25V AC
- Meets AS/NZS 3808 standards.



Part No.	Cable Size Dia (mm)	No. Of Cores	Stand No/ Dia	Conductor X Section (mm ²)	Amps Rating	Coil Length (m)
JPW88182	3	5	14/0.32	1.13	11	30
JPW88194	3	7	14/0.32	1.13	10	30

Lead Battery Terminals

Lead battery terminals.

- Features tapered post.
- Holes marked with + and -.
- Hang packed in pairs.



Part No.	Description
JPW6121	Lead Battery Terminals - Pair

Brass Battery Terminals

Economically priced battery terminals.

- Features tapered post.
- Holes marked with + and -.
- Hang packed in pairs.



Part No.	Description
JPW6120	Brass Battery Terminals - Pair

Quality Brass Battery Terminals

Australian-made marine battery terminals.

- Precision moulded from powdered brass.
- Coloured wing nuts on each terminal to avoid connecting the incorrect battery lead.
- Sold in pairs.

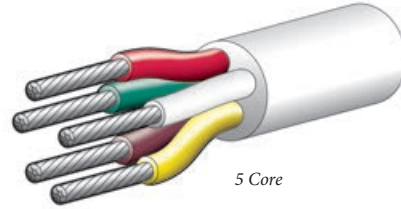


Part No.	Description
JPW6122	Brass Battery Terminals - Pair

Tinned 5 Core Cable

Marine trailer wiring, general purpose marine wiring applications.

- 5 core colours: (White, Yellow, Brown, Red, Green) White Sheath.
- Tin coated copper suitable for marine applications.
- Voltage Rating: 120V DC.
- Meets AS/NZS 3808 standards.



Part No.	Cable Size Dia (mm)	No. Of Cores	Stand No/ Dia	Conductor X Section (mm ²)	Amps Rating	Coil Length (m)
JPW88183	3	3	23/0.32	1.84	19	30

Battery (Master) Terminal

Brass battery terminal with a quick release knob.

This product is simple to use: simply turn the knob to disconnect battery power, and separate the terminal.



Part No.
JPW6119

Unilug Dual Battery Terminals

Two Up battery terminal lugs are purpose designed for dual battery installations. The concept allows factory strap type battery terminals to be fitted to a special tapered adaptor at the same time providing an additional terminating post to connect auxiliary batteries and/or ancillary equipment.

Kit Includes:

Lug assembly, adaptor post and protective cover.



Part No.	Description
JPW6117	Positive Dual Terminal Kit
JPW6118	Negative Dual Terminal Kit



Heavy Duty Battery Trays

Protects the hull and secures the battery in place.

- Made from heavy duty non-corrosive black injection moulded plastic.
- Includes an adjustable height top frame.
- Stainless steel retaining bolts secured tight with nylon thumb screws.
- Battery height (min-max): 165-210mm.



Part No.	Overall Size L x W x H (mm)	Max. Battery Base L x W x H (mm)
JPW6099	325 x 190 x 225	260 x 170 x 200
JPW6100	365 x 190 x 225	300 x 170 x 200

Battery Holder Trays

All parts of this product are made of non-corrosive black polyethylene which is impervious to battery acid. These battery trays protect the hull and secure the battery in place.

- Available to suit most marine size batteries.



Part No.	Inside - Dimensions Max Batt Size (mm) (L x W x H)
JPW6101	280 x 180 x 245
JPW6102	320 x 180 x 245

Battery Tray with Straps

All parts are made of non-corrosive black polyethylene, which is impervious to battery acid. The battery tray protects the hull and secures the battery in place.



Part No.	Dimensions (mm) (L x W)
JPW6103	315 x 180

Battery Boxes

Quality, vented, marine battery boxes manufactured from high density reinforced polyethylene, which is impervious to battery acids.

- This product includes sturdy carrying handles, two vents and the lid has 4 recesses to allow for cable entry.
- Also supplied complete with strap, mounting cleats and stainless steel fastenings.



* Includes lid and handles

Part No.	Outside Dimensions* (mm) (L x W x H)	Base Size (mm) (L x W)	Inside Dimensions (mm) (L x W x H)
JPW6124	330 x 230 x 260	285 x 195	275 x 190 x 195
JPW6125	417 x 230 x 285	340 x 195	335 x 190 x 220
JPW6126	455 x 235 x 260	400 x 195	390 x 185 x 200

Tie Down Straps

Replacement straps with mount hardware.



Part No.	Suits Battery Boxes	Strap Length
JPW6127	JPW6124	1m
JPW6128	JPW6123 JPW6125 JPW6126	1.3m

Battery Box with Power Fittings

Portable battery box with power accessories & battery tester.



Part No.	Outside Dimensions (mm) (L x W x H)	Base Size (mm) (L x W)	Inside Dimensions (mm) (L x W x H)
JPW6123	410 x 230 x 300	345 x 198	340 x 190 x 225

Battery Box with Power Sockets, USB Ports & Battery Tester

Larger size boat battery box with in-built dual USB or conventional cigarette lighter socket for quick and handy charging of your electronic devices anytime, anywhere.

Also includes battery condition indication on the lid to avoid being running your battery flat while fishing your favourite spot.

- Adjustable strap with mounting bracket to secure
- External terminals for a no tools required hook up and disconnect



Carry Handle

Dual USB charging with rubber cap



Pre-wired positive and negative battery terminals.

Fitted with 10A fuse for Accessory Sockets

1x Cig Accessory Power Sockets with rubber cap



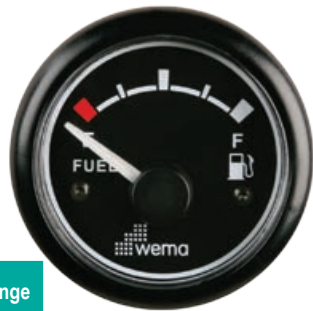
Fitted with 30A fuse for Battery Overload

Part No.	O.D. (mm) (L x W x H)	Base Size (mm) (L x W)	I.D (mm) (L x W x H)
JPW6133	410 x 230 x 300	345 x 198	340 x 190 x 225

Fuel Level Gauge

12V - dropping resistor included for 24V applications.

- Black dial and plastic bezel.
- 52mm diameter.



Part No.	Resistance (Ohm)	Range
JPW2580	240 - 30	E-F
JPW2582	0 - 190	E-F

Voltmeter Gauge

- Black dial and black plastic bezel.
- 52mm diameter.
- Range: 12VDC 8-16V DC.
24VDC 18-32V DC



Part No.	Volts
JPW2585	12
JPW2586	24

Water Level Gauge

• 12V - dropping resistor included for 24V applications.

- Black dial.
- Black plastic bezel.
- 52mm diameter.



Part No.	Resistance (Ohm)	Range
JPW2583	0 - 190	E-F
JPW2579	240-30	E-F

Digital Voltmeter

- Black dial.
- Black plastic bezel.
- 52mm diameter.
- Range 8 - 32VDC.



Part No.	Range	Colour
JPW2587	8 - 32VDC	Blk/BLK

Waste Level Gauge

• 12V - dropping resistor included for 24V applications.

- Black dial.
- Black plastic bezel.
- 52mm diameter.
- Range: Low - Full.



Part No.	Resistance (Ohm)	Range
JPW2584	240 - 30	Low-Full

Digital Ammeter

- Black dial.
- Black plastic bezel.
- 52mm diameter.
- Range -150 to +150 Amps.
- 12 & 24VDC
- Supplied with a 150amp shunt to suit



Part No.	Range	Colour
JPW2588	-150 to +150 Amps	Blk/Bk

Digital Hourmeter Gauge



- Suitable for 12/24VDC systems
- Black dial.
- Black plastic bezel.
- 52mm diameter.
- Maximum count: 99999.9 hours before returning to 0.



Part No.

JPW2589

Rudder Angle - Gauge



- Suitable for 12/24VDC systems
- Black dial.
- Black plastic bezel.
- 52mm diameter.



Part No. **Resistance (Ohm)**

JPW2593 0 - 190

Oil Pressure Gauge



- Black dial.
- Black plastic bezel.
- 52mm diameter.
- Voltage: 12VDC (24VDC with resistors).



Part No. **Resistance (Ohm)** **Range**

JPW2590 10 - 185 0 - 5 bar

60kn GPS Speedo Gauge



- GPS Speedo / Analogue indication.
- Black dial.
- Black plastic bezel.
- 82mm diameter.
- Proprietary GPS Antenna.
- Voltage: 12VDC or 24VDC.



Part No. **Range**

JPW2594 0 - 60 Knots

Oil Temperature Gauge



- Black dial.
- Black plastic bezel.
- 52mm diameter.
- Voltage: 12VDC (24VDC with resistors)"



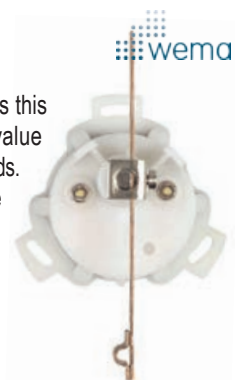
Part No. **Resistance (Ohm)** **Range**

JPW2591 260 - 23 40 - 120°C

Rudder Angle Indication Sender



For use with Wema's rudder angle gauges this sender features a standard resistance value compatible with other popular European brands. The latest version is suitable for both single and dual station indicator installations.



Part No. **Angle Range** **Resistance (Ohm)**

JPW2535 40° - 0 - 40° 0 - 190

Coolant Temperature Gauge



- Black dial.
- Black plastic bezel.
- 52mm diameter.
- Voltage: 12VDC (24VDC with resistors).



Part No. **Resistance (Ohm)** **Range**

JPW2592 260 - 23 40 - 120°C

Waste Tank Level Sender Threaded

Stainless steel and available in a range of lengths to suit common tank depths. Features a removable screen to reduce the ingress of solids.

- Grey and black water - not suitable for fuel.
- Operating voltage: 12/24 VDC.
- Output value 240 Ohms empty - 30 Ohms full linear.
- Mounting thread: Threaded 1 1/4" BSP.
- Optional mounting kit: SAE 6 hole flange (internally threaded).
- Operating temp: -40° to +85°C.
- Termination: 2x flying leads (tinned) 290mm long (sheathed).



Part No.	Resistance 240-30 Ohms	
	Model	Tank Depth
JPW2462	S3H-1	100mm
JPW2463	S3H-2	205mm
JPW2464	S3H-3	305mm
JPW2465	S3H-4	410mm

Tank Level Sender - Flanged

Magnetic read switch senders are suitable for use in both fuel and water applications.

- 5 hole flange mounted type.
- Available in both (US 240-30 Ohms) and (Euro 0-190 Ohms) standard.

Part No.	Resistance 240-30 Ohms	
	Model	Tank Depth
JPW2542	S5-A150	150mm
JPW2543	S5-A175	175mm
JPW2544	S5-A200	200mm
JPW2545	S5-A225	225mm
JPW2546	S5-A250	250mm
JPW2547	S5-A275	275mm
JPW2548	S5-A300	300mm
JPW2549	S5-A350	350mm
JPW2550	S5-A400	400mm
JPW2551	S5-A450	450mm
JPW2552	S5-A500	500mm
JPW2553	S5-A550	550mm
JPW2560	S5-A600	600mm
JPW2567	S5-A650	650mm
JPW2568	S5-A700	700mm

Part No.	Resistance 0-190 Ohms	
	Model	Tank Depth
JPW2619	S5-E150	150mm
JPW2620	S5-E175	175mm
JPW2621	S5-E200	200mm
JPW2622	S5-E225	225mm
JPW2623	S5-E250	250mm
JPW2624	S5-E275	275mm
JPW2625	S5-E300	300mm
JPW2626	S5-E350	350mm
JPW2627	S5-E400	400mm
JPW2633	S5-E450	450mm
JPW2634	S5-E500	500mm

Longer Senders available in both ohms rating on request.



Tank Level Sender - Threaded

Wema magnetic read switch senders are suitable for use in both fuel and water applications.

- Thread mounted.
- Available in both (US 240-30 Ohms) and (Euro 0-190 Ohms) standard.

Part No.	Resistance 240-30 Ohms	
	Model	Tank Depth
JPW2606	S3-A150	150mm
JPW2607	S3-A175	175mm
JPW2608	S3-A200	200mm
JPW2609	S3-A225	225mm
JPW2610	S3-A250	250mm
JPW2611	S3-A275	275mm
JPW2612	S3-A300	300mm
JPW2613	S3-A350	350mm
JPW2614	S3-A400	400mm
JPW2615	S3-A450	450mm
JPW2616	S3-A500	500mm

Part No.	Resistance 0-190 Ohms	
	Model	Tank Depth
JPW2637	S3-E150	150mm
JPW2638	S3-E175	175mm
JPW2639	S3-E200	200mm
JPW2640	S3-E225	225mm
JPW2641	S3-E250	250mm
JPW2642	S3-E275	275mm
JPW2643	S3-E300	300mm
JPW2644	S3-E350	350mm
JPW2645	S3-E400	400mm
JPW2646	S3-E450	450mm
JPW2647	S3-E500	500mm

Longer Senders available on request.



Tank Level Senders - Adaptors



JPW2468

FL-2: Topside Flange to adapt S3 1 1/4" BSP to SAE 5 Hole



JPW2467

FLS-U: Underside Flange to mount FL-2 or S5 SAE 5 Hole Senders



JPW2466

HFL: Topside/underside kit to suit S3H 1 1/4" BSP waste senders

PLUMBING 14

HOSES

Bilge Hoses.....	248 - 249
Drinking Hose.....	248
Fuel Hose.....	249
Hose Coil Kit.....	249
Multi-Purpose Clear Hose.....	248
Sanitation Hose.....	248

TOILET & TANK

Flexible Water Tanks.....	309
Portable Toilet.....	309

SINKS

Hose Clamps & Connectors.....	250
Non-Return Valves.....	250
Nylon Skin Fittings.....	251
Stainless Steel Sinks.....	252
Thru-Hull Nylon Pickup.....	251
Wastes & Plugs.....	252

WATER HEATERS

B3 Nautic Boilers.....	246 - 247
------------------------	-----------



Nautic Boiler B3 - Water Heaters

All of our water heaters have the following advantages and high-quality characteristics:

- High quality materials.
- Heat exchanger with wide exchange surface.
- Produces hot water from the electric element, that is fitted with an adjustable safety bi-thermostat.
- Relief / non-return valve that allows discharging of the water heater in case of disuse.



Casing in composite material.
Tank in stainless steel AISI 316.

The features

- The heat exchanger used for Quick Nautic Boiler B3 is in stainless steel AISI 316. The heat exchange capacity is notably higher than that achieved from other manufacturers.
- The tank is made in stainless steel 316 AISI welded with Argon shielding gas and hence highly resistant to corrosive agents, and the electrical heating element is made of Incoloy, a nickel-based superalloy designed for excellent corrosion-resistance and withstanding high temperatures.
- The thermal insulation is high-density polyurethane foam injected between the cover and tank to give excellent heat-retention properties.

Optional Accessories

- Anti-flare protection: The heating element can be provided with an anodised aluminium case to protect the water heater in potentially explosive environments (ISO 8846) - part no. "QFVSLCSANT000A00"
- Thermostatic mixing valve kit - part no. "QLKMT0000000A00"



Anti-flare protection

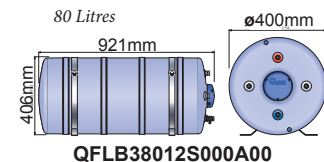
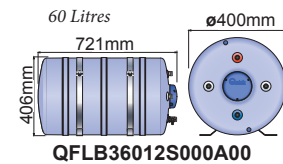
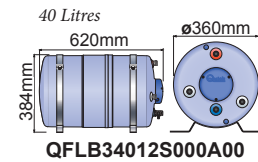
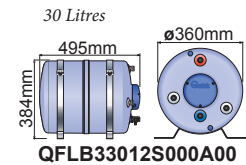
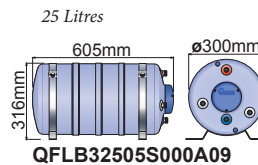
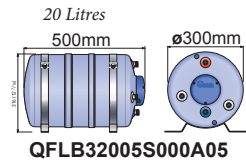
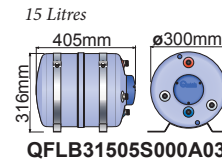


Thermostatic Mixing Valve Kit



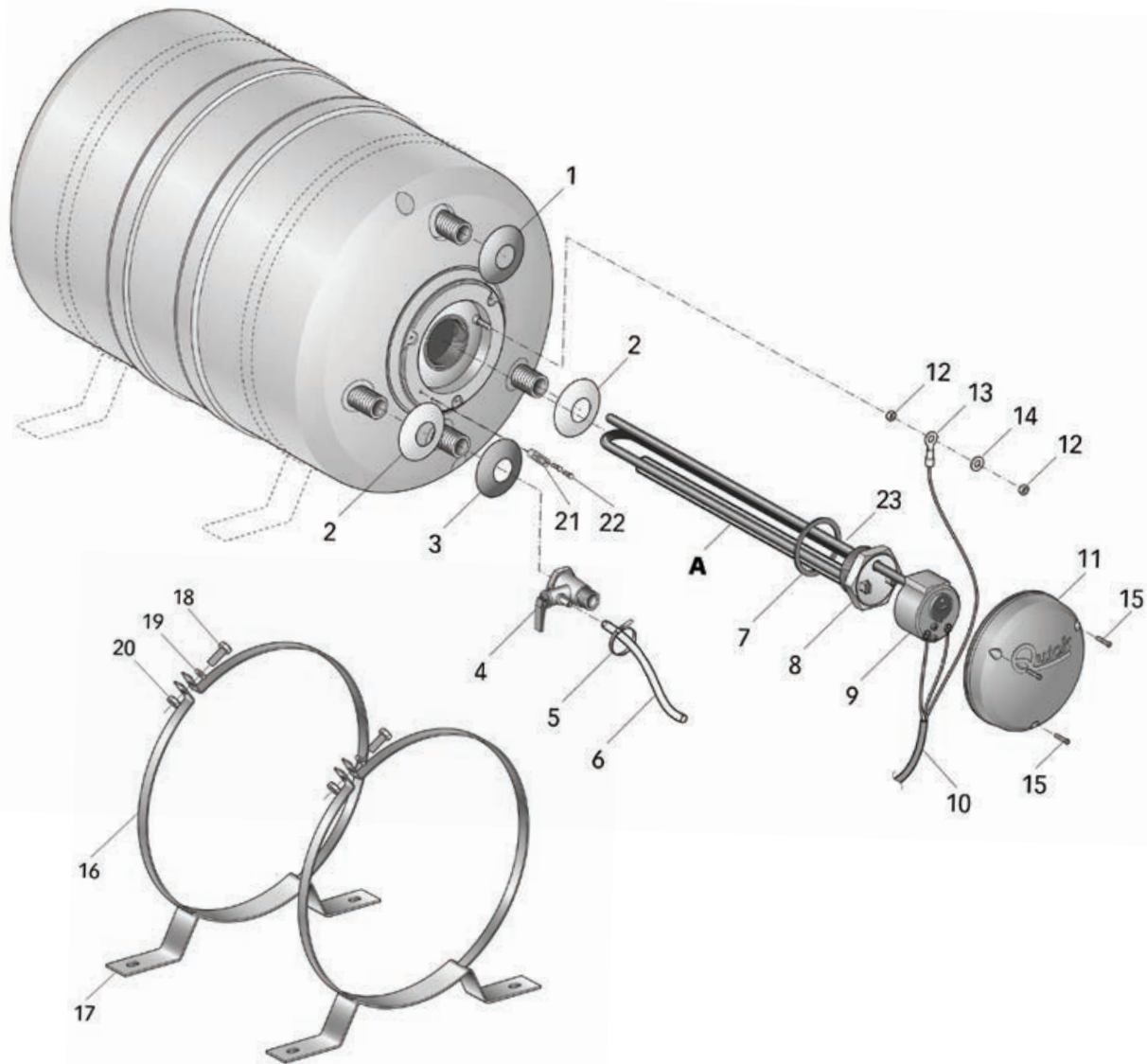
SPECIFICATIONS

- Tank Pressure (running test): 800kPa (1)
- Maximum working pressure: 600kPa(1)
- Electric element voltage rating (2): 220 Vac ± 10% [-]
- Electric element power (2): 1200W
- Outputs diameter: 1/2"
- (1) 1 Bar = 100 kPa / 1 Bar = 100 kPa / (2)
- 500W, 600W, 110 VAC± 10% (L) Available on request



Part No.	Capacity (L)	Dimensions (Dia x L) (mm)	Weight (kg)	Heating Element (W)
QFLB31505S000A03	15	300 x 405	7.0	1200
QFLB32005S000A05	20	300 x 500	8.1	1200
QFLB32505S000A09	25	300 x 605	8.5	1200
QFLB33012S000A00	30	360 x 495	10.5	1200
QFLB34012S000A00	40	360 x 620	11.7	1200
QFLB36012S000A00	60	400 x 721	14.6	1200
QFLB38012S000A00	80	400 x 921	17.8	1200

Nautic Boiler B3 - Water Heaters - Spare Parts



Item No.	Part No.	Description	Item No.	Part No.	Description
1	PECRBLRS0000	Red plastic washer	14	MBR04X000000	Washer
2	PECRBLBNC000	White plastic washer	15	MBV02919AXCC	Screw 2,9 x 19
3	PECRBLBL0000	Blue plastic washer	16A	MBFPNXB3300	Tank mounting B3 300
4A	QFVSLVS126B00A00	Relief/non-return valve	16B	MBFPNXB3360	Tank mounting B3 360
4B	-	Relief/non-return valve Aust. Std	16C	MBFPNXB3400	Tank mounting B3 400
5	PBF25100W000	Hose clamp	17A	MMSTXB3000000	Metal bracket B3 300
6	PVTBGM10NT00	Discharge pipe	17B	MMSTBL400DR1	Metal bracket B3 400
7A	PGGRES000000	Element gasket	18	MBV0830MXE00	Screw M8 stainless steel
7B	PGRM43500000	Element gasket	19	MBR08X000000	Washer Ø 8 stainless steel
8A	QFVSLRSB05220A00	Spare Element 500W 220V	20	MBD08MXEN000	Nut M8 stainless steel
8B	QFVSLRSB0822SA00	Spare Element 800W 220V	21	PPBLB3000000	Cable clamp
8C	QFVSLRSB12220A00	Spare Element 1200W 220V	22	MBV02916AXCC	Screw 2,9 x 16
9	QFVSLTB152700A00	Bi-Thermostat	23	QFVSLANMG1820A00	Boiler Magnesium Anode 200mm
10	ECC30150G000	Power supply cable	24	QFVSLCSANT000A00	Anti-Flare Protection
11	PECRB220B300	B3 resistor cover 220V	25	QLFKMT0000000A00	Thermostat Mixing Valve Kit
12	MBD04MXEN000	Nut M4 stainless steel			
13	EJCY04000000	Ground cable terminal			

Cuffed Bilge Pump Hose

Black plastic bilge pump discharge hose that has hose clamp cuffs every foot for easy hose clamping.

- Available in 20mm (3/4") or 28mm (1 1/8") hose.
- Sold in lengths of 15m.



Part No.	Dia (mm)	Suits Rule Pumps
JPW1730	20	360, 500, 800
JPW1731	28	1000, 1100, 1500, 2000

Cuffed Bilge Pump Hose Kit

Submersible bilge pump plumbing installation kits.

- Includes cuffed hose, nylon skin fitting and two stainless steel hose clamps.



Part No.	Hose Dia (mm)	Length (m)
JPW2696	20	1.5
JPW2697	28	1.8

High Pressure Drinking Hose

High pressure drinking hose designed for use in the marine and RV caravan market.

- 160 PSI working pressure.
- 12mm (1/2") diameter hose x 7.5m (25ft).
- Australian-type threaded brass hose connections.



Part No.	Size (Dia x L)
JPW1740	12mm x 7.5m

MarineFlex Bilge Hose

A smooth bore lightweight hose with excellent flexibility. Particularly well suited for suction lines on bilge pumps, toilet installations and other applications requiring tight bends.

- Excellent UV stability and conforms to AS2070 (plastics for food contact).
- Not suitable for use with fuels or drinking water
- Operating temperature from -5°C to +60°C

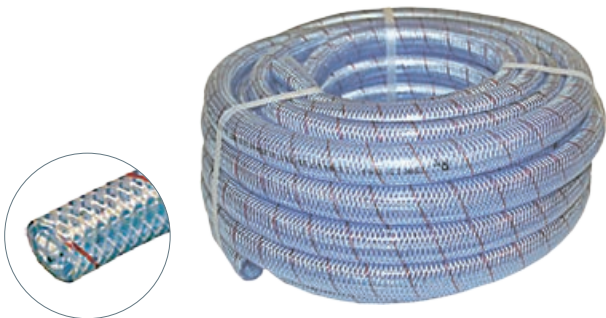


Part No.	I.D.	O.D.	Length
JPW1720	20mm (3/4")	24.5mm	20m
JPW1721	25mm (1")	31.9mm	20m
JPW1722	28mm (1/8")	34mm	20m
JPW1723	32mm (1 1/4")	39.4mm	20m
JPW1724	38mm (1 1/2")	46.1mm	20m

Multi-Purpose Clear Hose

Premium quality clear multi-purpose hose suitable for air, water and mild chemical applications.

- Conforms to AS2070 (plastics for food contact) making it suitable for general food applications.
- Conforms to AS2554 and has moderate level of UV protection.
- Not suitable for permanent fuel lines.
- 12mm, 20mm and 25mm diameter coils are sold in 20m rolls.
- Coils 32mm and higher in diameter can be cut to metre lengths.



Part No.	Coil Dia (mm)	Part Number (Cut Length)	Coil Dia (mm)
JPW1741	12	JPW1744C	32
JPW1742	20	JPW1745C	38
JPW1743	25	JPW1747C	50

Sanitation Hose

Heavy duty white suction hose specifically made for marine toilet installations. A smooth bore lightweight hose with excellent flexibility for waste applications. Its nitrile content (greater than 15%) provides excellent resistance against odour permeation in toilet applications.



Part No.	I.D. (mm)	O.D. (mm)	Length (m)
JPW1760	19	25.8	20
JPW1761	25	31.9	20
JPW1762	38	46.1	20

Premium Bilge Hose

A premium version of the MarineFlex manufactured with a smooth outer, to assist in the placement of hose clamps. Its thicker wall means greater strength and in service life.



Part No.	I.D.	O.D.	Length
JPW1732	20mm (3/4")	24mm	20m
JPW1733	28mm (1 1/8")	34.9mm	20m

Outboard Fuel Hose

Reinforced fuel hose suitable for outboard fuel lines and portable or above deck mounted tanks.

- Do not use for below deck or permanent fuel line.



Part No.	I.D.	Length
JPW2501	8mm (5/16")	20m
JPW2502	10mm (3/8")	20m

Marine Fuel Line Hose

Recommended for fuel feed and vent applications on marine pleasure craft. This hose exceeds U.S. Coast Guard requirements for type A1 service as outlined in SAE J1527.

- Suitable for below deck / permanent applications.



Part No.	I.D.	O.D.	Length
JPW1774	8mm (5/16")	18mm	30m
JPW1776	10mm (3/8")	19.8mm	30m
JPW1778	12mm (1/2")	22.8mm	30m
JPW1780	16mm (5/8")	25.8mm	30m

Marine Fuel Filler Hose

Type A1 fuel fill hose constructed with high-grade chemigum tube for superior fuel resistance for type A1 fuel fill applications. This is the connection from the boats fuel tanks to the filler cap. USCG/SAE J1527 type A1 unleaded resistant.

- Flame retardant cover.
- Two-ply synthetic braid with wire helix.
- Black nitrile tube.
- Temperature range: -30° to 90° C.
- Sold in a 15m coil or per metre.



Part No. 1m Length	Part No. 15m Length	I.D.	O.D.
JPW1782	JPW1784	38mm (1 1/2")	47.1mm
JPW1785	JPW1787	51mm (2")	61.5mm

Marine Exhaust Hose

Lightweight corrugated hose with excellent flexibility for conveying wet exhaust fumes.

- Lloyds approved. Lloyds No. 08/1006 (E2).
- Cover: Corrugated cover. Black with blue stripe. Synthetic (corrugated finish). Ozone and oil resistant and flame resistant.
- Reinforcement: high tensile textile cords with embedded steel helix wires.
- Tube: NBR blend handles 40% aromatics.
- Temperature Range: -20° C to 121° C
- Working Pressure: 5 Bar 3:1 safety factor
- Sold in a 20m coil or per metre.



Part No. 1m Length	Part No. 20m Length	I.D.	Bend Radius
JPW1788	JPW1789	38mm (1 1/2")	229mm
JPW1790	JPW1791	45mm (1 3/4")	261mm
JPW1792	JPW1793	50mm (2")	406mm
JPW1794	JPW1795	63mm (2 1/2")	508mm
JPW1796	JPW1797	76mm (3")	610mm
JPW1798	JPW1799	90mm (3 1/2")	711mm

Hose Coil and Hose Gun

25ft (7.6m) blue polyurethane spring coiled hose ideal for deck wash-down use.



Part No.	Type
JPW1750	25ft Hose Coil Only
JPW1752	25ft Hose Coil and Gun
JPW1755	Spray Gun Replacement

Wash Down Hose Kit & Mounting

Complete horizontal mount hose storage and deck wash system. Includes white moulded storage housing, 7.6m (25ft) coiled hose with hose gun, deck wash connection hose and required fittings and hose clamps.



Part No.	Type
JPW1751	25ft Hose Coil & Mounting Kit

Standard Stainless Steel Hose Clamps

Australian-made 316-grade stainless steel perforated band worm drive hose clamps

- Sold per box quantity 10x clamps.



Part No.	Clamp No.	Min-Max (mm)	Band Width (mm)
JPW2000	MAH004P	6-16	8
JPW2001	MAH006P	11-22	8
JPW2002	HAS008P	13-25	12.7
JPW2003	HAS010P	14-27	12.7
JPW2008	HAS012P	18-32	12.7
JPW2009	HAS016P	21-38	12.7
JPW2004	HAS020P	21-44	12.7
JPW2005	HAS024P	27-51	12.7
JPW2006	HAS028P	33-57	12.7
JPW2014	MAH028P	40-57	8
JPW2007	HAS032P	40-64	12.7
JPW2013	HAS052P	71-95	12.7

Hose Clamps with Safety Collar

Australian-made 304-grade stainless steel solid band hose clamps in sizes to suit all applications.

- These worm drive hose clamps feature a removeable blue safety collar to prevent screwdriver slip.
- Sold per box quantity 10x clamps.



Part No.	Clamp No.	Min-Max (mm)	Band Width (mm)
JPW2020	SMPC000P	9-12	9
JPW2021	SMPCM00P	11-16	9
JPW2022	SMPC00P	13-20	9
JPW2023	SMPC0AP	16-24	12.7
JPW2024	SMPC0P	16-27	12.7
JPW2025	SMPC1AP	22-32	12.7
JPW2026	SMPC1P	22-38	12.7
JPW2027	SMPC1XP	30-42	12.7
JPW2028	SMPC2AP	35-48	12.7
JPW2029	SMPC2P	35-53	12.7
JPW2030	SMPC2XP	40-57	12.7
JPW2031	SMPC3P	52-70	12.7
JPW2032	SMPC4P	65-90	12.7
JPW2034	SMPC5P	85-110	12.7
JPW2035	SMPC6P	105-130	12.7
JPW2036	SMPC7P	130-155	12.7
JPW2037	SMPC8P	155-180	12.7
JPW2038	SMPC9	180-205	12.7

T-Bolt Stainless Hose Clamps

Australian-made 304-grade stainless steel T-bolt hose clamps for extra heavy duty applications where large tightening forces are required.

- Solid band with a rolled edge to prevent hose damage and tightened via a high-tensile 316-grade stainless hex head bolt.
- Extra solid construction with easy installation and tightening.
- Sold per box quantity 10x clamps.



Part No.	Clamp No.	Min-Max (mm)	Band Width (mm)
JPW2050	TTBS40-43P	40-43	20
JPW2051	TTBS44-47P	44-47	20
JPW2052	TTBS48-51P	48-51	20
JPW2053	TTBS52-55P	52-55	20
JPW2054	TTBS56-59P	56-59	20
JPW2055	TTBS60-63P	60-63	20
JPW2056	TTBS64-67P	64-67	24
JPW2057	TTBS71-76P	71-76	24
JPW2058	TTBS77-82P	77-82	24
JPW2059	TTBS83-88P	83-88	24
JPW2060	TTBS89-94P	89-94	24
JPW2061	TTBS95-100P	95-100	24
JPW2062	TTBS101-107P	101-107	24
JPW2063	TTBS108-116P	108-116	24
JPW2064	TTBS117-125P	117-125	24
JPW2065	TTBS126-134P	126-134	24
JPW2066	TTBS140-148P	140-148	26
JPW2067	TTBS149-161P	149-161	26
JPW2068	TTBS162-174P	162-174	26

Non-Return Valve - Dual Size

Dual size to suit two different hose sizes.

- Made from reinforced nylon with neoprene valves and stainless steel fasteners.

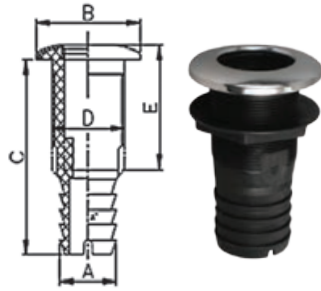


Part No.	Hose Size
JPW1817	Dual 25 & 38mm

Skin Fitting Nylon Body S/S Cap Straight

Nylon skin fitting with stainless steel cap made from high-strength nylon plastic bodies. Includes non-corrosive, highly polished 316-grade stainless steel caps.

- Suitable for installation above water line only.

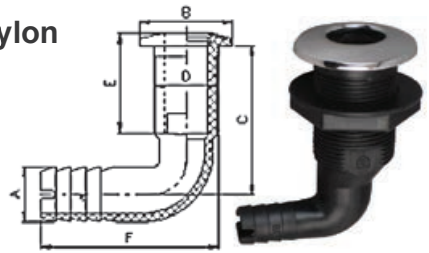


Part No.	A (mm)	A (in)	B (mm)	C (mm)	D (mm)	E (mm)
JPW1830	19	3/4	48	80	85	50
JPW1831	25	1	48	80	85	50
JPW1832	28	1 1/8	48	80	85	50
JPW1834	38	1 1/2	60	95	100	50

Skin Fitting Nylon Body S/S Cap 90 degree

Nylon skin fitting with stainless steel cap made from high-strength nylon plastic bodies. Includes non-corrosive highly polished 316-grade stainless steel caps.

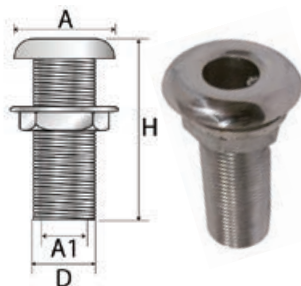
- Suitable for installation above water line only.



Part No.	A (mm)	A (in)	B (mm)	C (mm)	D (mm)	E (mm)	F (mm)
JPW1837	19	3/4"	48	73.4	85	50	64.3
JPW1838	25	1"	48	75	85	50	64.3
JPW1839	28	1 1/8"	48	75	85	50	91.2
JPW1841	38	1 1/2"	60	88	100	50	91.2

Skin Fitting 316 Stainless BSP Thread

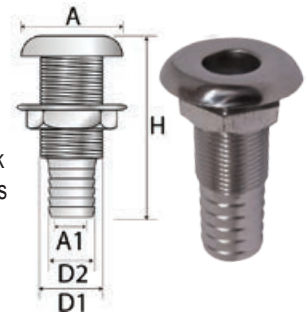
Skin fitting with BSP thread to screw directly into a valve. Cast 316-grade stainless steel with lock nut washer included. Size shown is the hose ID size that it suits.



Part No	Thread BSP (in)	A (mm)	A1 (mm)	H (mm)	D (mm)
JPW1843	1/2	39	15	61	21
JPW1844	3/4	49	19	70	26.5
JPW1845	1	54	25	72	33.3
JPW1846	1-1/4	63	34	78	42
JPW1847	1-1/2	70	38	79	47.5
JPW1848	2	84	51	95	59.5

Skin Fitting 316 Stainless Hose Tail

Skin fitting with hose tail end to connect directly to hose. Cast 316-grade stainless steel with lock nut washer included. Sizes shown is the hose ID size that it suits.



Part No	Thread BSP (in)	A (mm)	A1 (mm)	H (mm)	D1 (mm)	D2 (mm)
JPW1850	1/2	39	15	60	21	18.3
JPW1851	3/4	49	19	69	26.5	22.5
JPW1852	1	54	25	71	33.3	30
JPW1853	1-1/4	63	34	76	42	38.5
JPW1854	1-1/2	70	38	79	47.5	43.5
JPW1855	2	84	51	95	59.5	55.8

Thru-Hull Nylon Pickup

- Nylon thru-hull pickup.
- BSP male thread.
- Thread length: 65mm.

Part No.	Hole Cut-Out Size (mm)
JPW1807	25



Nylon Hose Connector (Hose Tail)

Made from extra strong chemically resistant acetal resin offering superior performance in many applications from fuel lines to water outlets.

Part No.	Hose Size		Thread BSP (in)	Length (mm)
	(in)	(mm)		
JPW1810	1/2	13	1/2	67
JPW1811	5/8	16	5/8	67
JPW1812	3/4	19	3/4	80
JPW1813	1	25	1	80
JPW1814	1 1/4	32	1 1/4	80
JPW1815	1 1/2	38	1 1/2	83



Non-Return Valve - Dual Size

- One-way valve suitable for galley pumps.
- Stepped ports suit 12 and 20mm hose size.
- Australian-made premium valves.

Part No.	Hose Size (mm)
JPW1816	12 & 20



Transom Well Drain

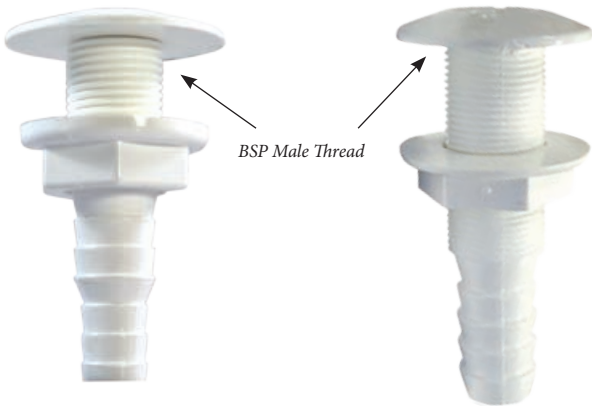
White nylon fine threaded drain with push-on grip flanged end fitting. Can be used for draining motor or anchor wells.

Part No.	Total Length (mm)	Cut Out Hole (mm)
JPW5420	55	25



Nylon Skin Fittings

High quality Australian made white nylon skin fittings. They have a tapered outer head to lower drag and a dual connection - barbed tail for hose and a BSP male thread. Barbed tail can be cut off if threaded male connection is to screw into valve.



JPW1801
Dual Size

Part No.	Hose Size		Mount Hole (mm)	Length (mm)
	(in)	(mm)		
JPW1801	1/2" & 5/8"	12 & 16	20	68
JPW1802	3/4"	19	25	81
JPW1803	1"	25	32	81
JPW1804	1 1/4"	32	40	81
JPW1805	1 1/2"	38	46	82
JPW1806	1 1/8"	28	32	95

Sink Waste & Plugs - 1" (25mm)

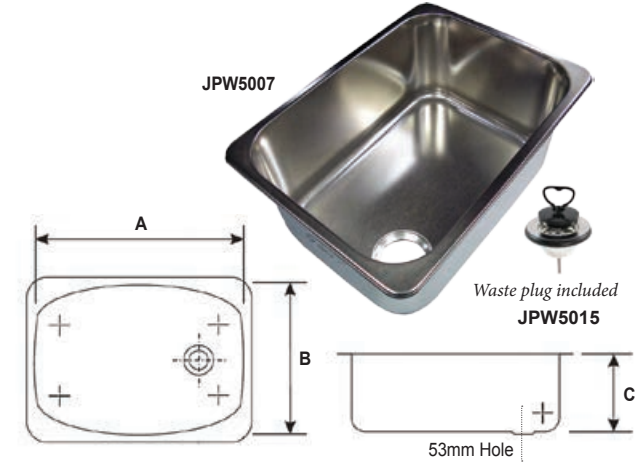
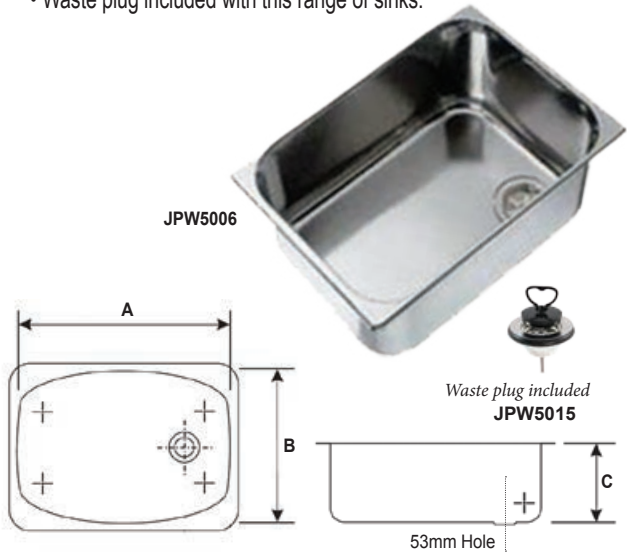
Suit sinks JPW5001 - 5002



Part No.	Type	Hose Tail (mm)	Plug Size (mm)	Hole Cut-Out Size (mm)
JPW5016	Straight	28	25	32
JPW5017	90°	28	25	32
JPW5012	Straight Waste & 25mm Plug Set			
JPW5018	Plug Only 25mm (1") Ø			

Stainless Steel Sinks

• Waste plug included with this range of sinks.



Part No.	Sink Shape	Cut Out (mm)*			Rim Size (mm)	Overall Dimensions L x W x H (mm)
		A	B	C		
JPW5006	Rectangle	298	238	150	11	320 x 260 x 150
JPW5007	Rectangle	330	235	150	12.5	355 x 260 x 150

Sink Waste & Plugs

Suit sinks JPW5006 - 5007

Part No.	Hole Cut-Out Size (mm)	Suits Sinks
JPW5015	53	JPW5006 - 5007



Part No.	Type	Hose Tail (mm)
JPW5013	90°	25
JPW5014	Straight	25

FISHING ACCESSORIES 15

BAIT BOARDS

Bait Boards Range 254 – 256

STORAGE

Anchor Wells 257

Bait Box & Storage Bins 257

Burley Buckets 256

Fish Box 257

Live Bait Tank 257

Rod Holders 57 - 60



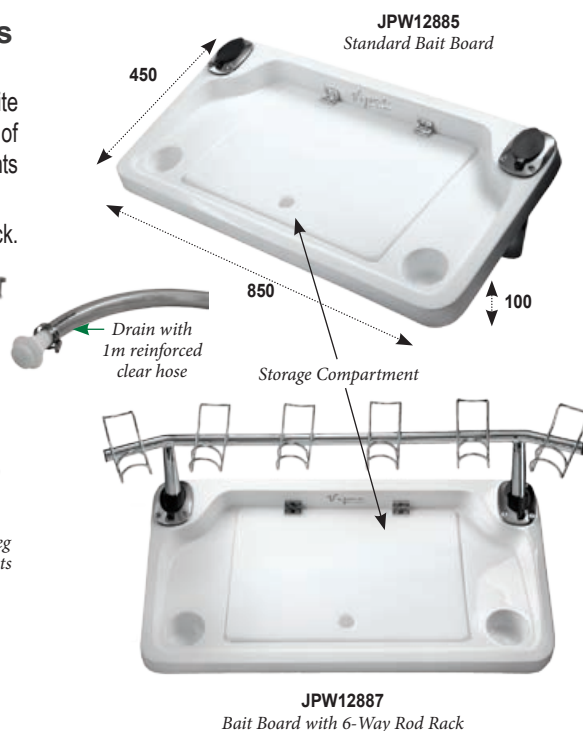
VIPER Pro Series Deluxe Fibreglass Bait Boards - 850 x 450mm

The Viper Pro premium removable fibreglass bait board featuring a gloss white gelcoat finish top and bottom to compliment your boat. The cutting board is made of high density plastic that is both abrasion resistant and UV stabilised (replacements available).

Two options available: standard bait board or with a six-way stainless steel rod rack.

Kit includes:

- 2x S/S Legs and Mounts: 38mm x 420mm length
- 2x 30deg intergrated rod holders with rubber sleeves & caps
- Drain & plug with 1m of reinforced clear hose
- Bait storage compartment - W 440 x L 300mm x D 90mm
- Cutting Board size - W 490mm x L 340mm
- Overall dimensions - W 850mm x D 450mm x H 100mm



Part No.	Description
JPW12885	Removable Fibreglass Bait Board
JPW12887	Removable Fibreglass Bait Board with 6 Way S/S Rod Rack

VIPER Pro Series Deluxe Fibreglass Bait Board - 635 x 380mm

This Viper Pro features a convenient drop-in and lift-out removable deluxe stainless steel bait board and large bait/storage compartment made from 316 marine-grade stainless steel to complement your boat's other stainless steel fittings.

Kit includes:

- 2x S/S Legs and Mounts: 38mm x 420mm length
- 2x 51mm rod holders with rubber caps
- Marine grade stainless steel fully welded & hand polished
- Cutting Board size - W 470mm x L 330mm
- Overall dimensions - W 635mm x D 380mm x H 300mm

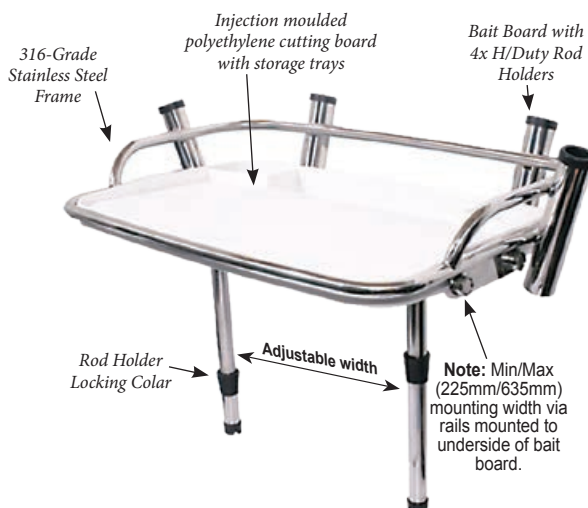


Part No.	Description
JPW12889	Removable Fibreglass Bait Board with Storage Compartment

AXIS Stainless Steel Bait Board with 4x Rod Holders 960 x 600mm

Stainless steel, heavy duty welds and removable legs that fit into standard vertical rod holders.

- Injection moulded polyethylene with two tackle/bait holders and draining tray.
- Cutting board - 720mm wide x 475mm deep
- Cutting area - 705 x 370mm
- Overall dimensions - W 960 x D 600 x H 640mm inc legs



Part No.	Description
JPW5045	AXIS Bait Board with S/S Frame & 4x Rod Holders

AXIS Bait Boards - 500 x 350mm

UV-stabilised injection moulded polyethylene bait board.

- Cutting area 500 x 275mm.
- 2 tackle storage keepers.
- 1 knife keeper.
- Fish measurement rule 0 - 15cm.
- Rail mount bracket or rod holder mount.



Part No.	Mount	Dimensions (mm) (L x W)
JPW5040	Rail	500 x 350
JPW5041	Rod holder	500 x 350

AXIS Bait Board - Spare Parts



Part No.	Description
JPW5046	Replacement Rod Holder
JPW5047	Replacement Tri-Head Tightening Knob
JPW5048	Replacement Tapered Collar
JPW5049	Replacement Complete Leg
JPW5050	Replacement Rail Mount Bracket suit 25mm Rails
JPW5051	Replacement Bottom Bracket

AXIS Bait Boards - 720 x 470mm

UV-stabilised injection moulded polyethylene bait board.

- Cutting area 720 x 380mm.
- Two tackle storage keepers.
- One knife keeper.
- Fish measurement rule 0 - 60cm.
- Designed for two rod holders.
- 2x rail mount brackets to suit 25mm rails.
- Rod holder mount.



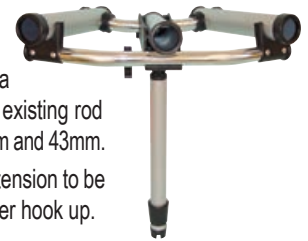
Part No.	Mount	Dimensions (mm) (L x W)
JPW5042	Rail	720 x 470
JPW5043	Rod holder	720 x 470

Note: Min/Max (225mm/635mm) mounting width via rails mounted to underside of bait board.

Removable Leg 3 x Rod Holder

Triple rod holder configuration with a centre leg position to fit a standard existing rod holder. Inside diameter between 36mm and 43mm.

- Quick release holders enable line tension to be kept on while removing the rod after hook up.
- Removable / fold away for storage.
- Designed to fit 26 - 43mm diameter flush mount rod holder.



Part No.	Dimensions (mm) (H x W)
JPW5103	540 x 460

Bait Board - Single Leg

Super tough UV-stabilised rota moulded polyethylene.

- Surface resists cuts / abrasions without dulling knife edge.



Part No.	Dimensions (mm) (L x W)
JPW5052	520 x 340

Leg fits most standard rod holders with a 40mm internal diameter

AXIS Bait Board - 2 x Rod Holders

UV-stabilised injection moulded polyethylene

- Cutting area 720 x 380mm.
- Two tackle storage keepers.
- 1 knife keeper.
- Fish measurement rule 0 - 60cm.
- Mounting brackets provided.



Part No.	Dimensions (mm) (L x W)
JPW5044	925 x 475

Note: Min/Max (225mm/635mm) mounting width via rails mounted to underside of bait board.

Bait Board - Twin Legs

Super tough UV-stabilised rota moulded polyethylene.

- Surface resists cuts / abrasions without dulling knife edge.
- Moulded bait tray running full length
- Legs can be manually set.
- Leg spacing approximately 400mm.



Part No.	Dimensions (mm) (L x W)
JPW5053	520 x 340

Legs fit most standard rod holders with a 40mm internal diameter

Bait Board - Twin Legs Medium

Fixed leg position with adjustable board angle.
Super tough UV-stabilised roto moulded polyethylene.

- Surface resists cuts / abrasions without dulling knife edge.
- Leg spacing: 570mm, and can be manually set.



Part No.	Dimensions (mm) (H x W)
JPW5061	650 x 440

Twin Leg Bait Board - 2 x Rod Holders

Super tough UV-stabilised roto moulded polyethylene.

- Surface resists cuts / abrasions without dulling knife edge.
- Twin plastic rod holders.
- Adjustable leg position and adjustable board angle.
- In-built knife keeper, drink holders and tackle storage bin.



Part No.	Dimensions (mm) (H x W)
JPW5063	850 x 440

Bait Board Twin Leg Deluxe - Medium

Made for tough fishing with A-grade aluminium and UV-stabilised polyethylene to resist sun & salt water.

- Surface resists cuts / abrasions without dulling knife edge.
- Recesses for holding lures, sinkers, knives etc.
- Won't brittle with age.
- Adjustable leg position with adjustable angle.



Part No.	Dimensions (mm) (L x W)
JPW5062	650 x 440

Deluxe Bait Boards - 2 x Rod Holders

Adjustable board angle, super tough UV-stabilised roto moulded polyethylene.

- Surface resists cuts / abrasions without dulling knife edge.
- **JPW5054:** Fixed leg spacing is 445mm, and can be manually set.
- **JPW5064 & JPW5074:** Legs are adjustable.



Part No.	Size	Dimensions (mm) (L x W)	Leg Type
JPW5054	S	665 x 340	Fixed 445mm
JPW5064	M	815 x 440	Adjustable
JPW5074	L	1020 x 500	Adjustable

Reef Runner Bait Board Rail Mount Adapter

Suits all Reef Runner bait boards with a 32mm leg that fits into the rail mount once the bottom 'crown' is removed. Rail mount is then attached to any 25mm rail.



Part No.
JPW5111

Spare Pivot for Bait Board Leg

Suits JPW5062 and 5054.



Part No.
JPW5110

Burley Buckets

Super tough UV-stabilised polyethylene. The simple D-shape bucket can be fitted to the transom

- Resistant to sun and salt water.
- 100% Australian-made for our harsh marine conditions.



Part No.	Type	Dimensions (mm) (H x W x D)
JPW5081	Small Compact	410 x 140 x 340
JPW5082	Fitted D-Shape	440 x 190 x 200
JPW5085	Burley Muncher - 700mm	

Anchor Wells

Super tough UV-stabilised polyethylene. Tidy away the anchor and chain ensuring they're ready for use.

- Made in Australia.

Part No.	Dimensions (mm)		
	Rear (L x D)	Width	Front (L x D)
JPW5098	490 x 190	320	300 x 125
JPW5099	665 x 240	410	400 x 170

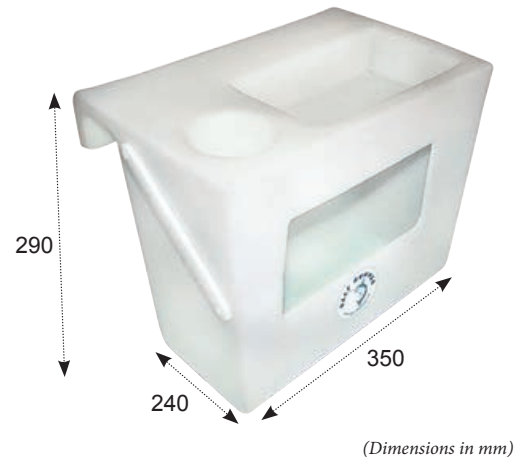


Tinnie Storage Bin Deluxe

Bait box deluxe, white UV-stabilised polyethylene construction with curved bracket to fit securely over the gunwale of most tinnies. Smart storage solution for fishing gear, bait or general items.

- Features a top pocket and drink holder.
- Use the flat surface to cut bait / line without dulling knife edge.

Part No.	Dimensions (mm) (L x W x H)
JPW5091	350 x 240 x 290

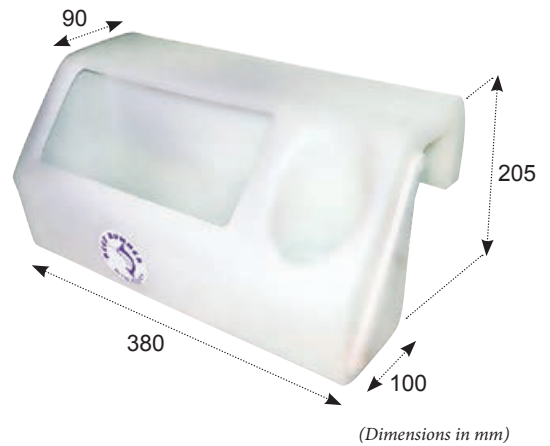


Tinnie Bait Box / Cockle Bin

White UV-stabilised polyethylene construction with curved bracket to fit securely over the gunwale of most tinnies.

- Perfect for fishing gear/bait.
- Includes recessed storage area and drink holder.

Part No.	Dimensions (mm) (L x W x H)
JPW5090	390 x 200 x 200

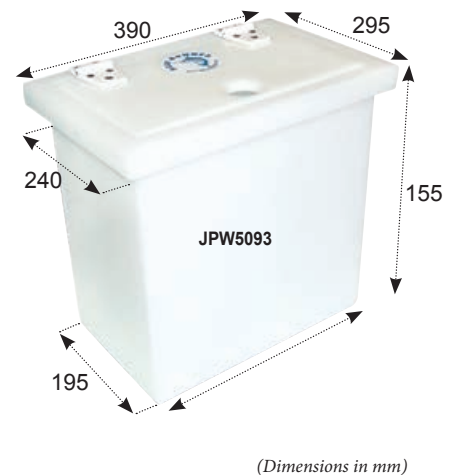
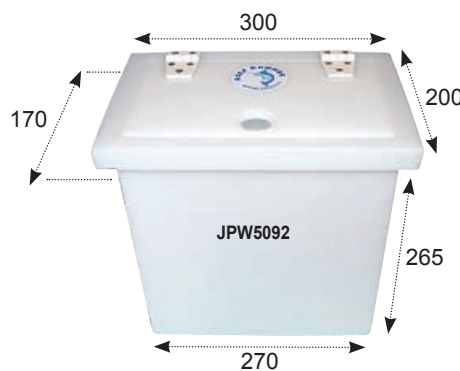


Fish Storage Box

White UV-stabilised polyethylene construction. Ideal as a bait box, fish box, live well tank or general storage.

- The lid doubles as a cutting board.

Part No.	Dimensions (mm) (L x W x H)
JPW5092	395 x 290 x 180
JPW5093	305 x 200 x 290



HOW TO ORDER

Select products from the catalogue or through our website using the product categories or search function. Make note of the part numbers to facilitate ordering.

ONLINE



Login to our website
with your customer username & password.

www.jpwmarine.com.au

If you know our product codes, use the
'Quick Order' form for a speedy checkout.

PHONE



Call us during standard
Western Australian business hours on

(08) 6253 3000

to place order by phone.

EMAIL



Email your order to

orders@jpwmarine.com.au



JPW MARINE

AUSTRALIA'S LEADING BOATING AND MARINE WHOLESALER

STEERING WHEELS 16

Alpha - 3 Spoke	261
Corsica Soft Grips - 3 Spoke.....	260
Delta - 3 Spoke	261
Epsilon - 3 Spoke	261
Kappa - 3 Spoke	261
Lambda - 3 Spoke.....	261
Spare Parts - Centre Ring / Hub & Button.....	262
Stainless Steel - 5 Spoke	262
Stainless Steel Soft Grip - 5 Spoke.....	262
Stainless Steel with Steering Knob - 3 Spoke.....	262
Stainless Steel with Steering Knob - 5 Spoke.....	262
Theta - 3 Spoke	261
V32 - 3 Spoke.....	260
V33N - 4 Spoke.....	260
V38 Thermoplastic Anti-shock / Soft Grips - 3 Spoke	260
V45 - 3 Spoke.....	260
V52B - 5 Spoke.....	260
V57B - 5 Spoke.....	260
V70B - 5 Spoke.....	260
Zeta - 3 Spoke.....	261



V32 Ø 335mm Steering Wheel

Hard grip anti-shock wheel, suits smaller boats with mechanical or hydraulic steering.

- Thermoplastic anti-shock with hard grip.
- Fits a standard 3/4" tapered shaft.
- Supplied with a centre cap.

Part No.	Description
JPW18860	V32B Ø 335mm Black

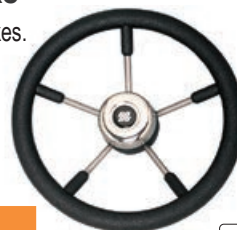


V57B Ø 350mm Steering Wheel - 5 Spoke

Polyurethane grip & stainless steel spokes.

- Non-magnetic, eliminates compass interference.
- Fits a standard 3/4" tapered shaft.
- Includes hub & stainless steel cap.

Part No.	Description
JPW18875	Ø 350mm Stainless Steel / Black



V33N Ø 342mm Steering Wheels - 4 spoke

Ideal for smaller boats with mechanical or hydraulic steering.

- Thermoplastic anti-shock with hard grip.
- Fits a standard 3/4" tapered shaft.
- Supplied with a centre cap.
- Available in two colours.

Part No.	Description
JPW18862	V33N Ø 342mm Black
JPW18897	V33N Ø 342mm Grey



V70B Ø 350mm Steering Wheel - 5 Spoke

Polyurethane grip & stainless steel spokes.

- Non-magnetic, eliminates compass interference.
- Fits a standard 3/4" tapered shaft.
- Supplied with centre hub & black cap.

Part No.	Description
JPW18878	Ø 350mm Stainless Steel / Black



V38 Ø 350mm Steering Wheel

Thermoplastic anti-shock wheel featuring a soft-touch grip for smoother control.

- Fits a standard 3/4" tapered shaft.
- Supplied with a centre cap.

Part No.	Description
JPW18863	V38 Ø 350mm Black



Corsica Ø 335mm Steering Wheel Carbon Grip

Hard carbon grip. Patented hub allows wheel to be aligned when installed.

- Fits a standard 3/4" tapered shaft.
- x63 hub with button ordered separately (JPW18882).

Part No.	Description
JPW18868	Ø 335mm Black / Carbon



Requires X63 Hub



V45 Ø 280mm Steering Wheel

Thermoplastic anti-shock wheel featuring a soft-touch grip for smoother control.

- Fits a standard 3/4" tapered shaft.
- Supplied with a centre cap.

Part No.	Description
JPW18872	V45 Ø 280mm Black



Corsica Ø 350mm Steering Wheel

Soft-touch grip. Patented hub allows wheel to be aligned when installed.

- Fits a standard 3/4" tapered shaft.
- x63 hub with button ordered separately (JPW18882).

Part No.	Description
JPW18867	Ø 350mm Black / Silver



Requires X63 Hub



V52B Ø 320mm Steering Wheel - 5 Spoke

Stainless steel five-spoke steering wheel featuring a strong polyurethane grip.

- Non-magnetic, eliminates compass interference.
- Fits a standard 3/4" tapered shaft.
- Includes hub & stainless steel cap.

Part No.	Description
JPW18877	Ø 320mm Stainless Steel / Black



Corsica Ø 350mm Steering Wheel

Soft-touch grip. Patented hub allows wheel to be aligned when installed.

- Fits a standard 3/4" tapered shaft.
- x63 hub with button ordered separately (JPW18882).

Part No.	Description
JPW18869	Ø 350mm Black / Black



Requires X63 Hub



Alpha Ø 335mm Steering Wheel - 3 Spoke



Three-spoke steering wheel made using tough polypropylene co-polymer plastic and featuring an in-built hub.

- Polypropylene co-polymer plastic structure.
- Suits smaller boats with mechanical or hydraulic steering.
- In-built hub fits a standard 3/4" tapered shaft.



Part No.	Description
JPW17860	Ø 350mm Black with Black Center

Theta Ø 350mm Steering Wheel - 3 Spoke



Three-spoke steering wheel made using tough polypropylene co-polymer plastic.

This wheel features an in-built hub for connections to a standard 3/4" tapered shaft.

- Polypropylene co-polymer plastic structure.
- Suits smaller boats with mechanical or hydraulic steering.
- Non-magnetic, eliminates compass interference.
- Includes black centre cap.



Part No.	Description
JPW17864	Ø 350mm Black with Black Center



Delta Ø 350mm Steering Wheel - 3 Spoke



Three-spoke steering wheel made using soft polyurethane plastic and strong aluminium reinforcement.

- Polyurethane grip with aluminium reinforcement.
- Carbon detailing on grip.
- Suits smaller boats with mechanical or hydraulic steering.
- In-built hub fits a standard 3/4" tapered shaft.



Part No.	Description
JPW17861	Ø 350mm Black with Black Center & Carbon Detail



Kappa Ø 350mm Steering Wheel - 3 Spoke



Three-spoke steering wheel made using soft polyurethane plastic and featuring a strong aluminium reinforcement.

This wheel features an in-built hub for connections to a standard 3/4" tapered shaft.

- Polyurethane grip with aluminium reinforcement.
- Suits smaller boats with mechanical or hydraulic steering.
- Non-magnetic, eliminates compass interference.
- Includes black centre cap.



Part No.	Description
JPW17865	Ø 350mm Black with Black Center



Epsilon Ø 350mm Steering Wheel - 3 Spoke



Three-spoke steering wheel made using soft polyurethane plastic and strong aluminium reinforcement.

- Polyurethane grip with aluminium reinforcement.
- Suits smaller boats with mechanical or hydraulic steering.
- In-built hub fits a standard 3/4" tapered shaft.



Part No.	Description
JPW17862	Ø 350mm Black with Black Center



Lambda Ø 370mm Steering Wheel - 3 Spoke



Three-spoke steering wheel made using tough polypropylene co-polymer plastic.

This wheel features an in-built hub for connections to a standard 3/4" tapered shaft.

- Polypropylene co-polymer plastic structure.
- Curved three-spoke design makes grip and turning easier.
- Suits smaller boats with mechanical or hydraulic steering.
- Non-magnetic, eliminates compass interference.
- Includes black centre cap.



Part No.	Description
JPW17866	Ø 370mm Black with Black Center



Zeta Ø 300mm Steering Wheel - 3 Spoke



Three-spoke steering wheel made using soft polyurethane plastic and strong aluminium reinforcement.

- Polyurethane grip with aluminium reinforcement.
- Carbon detailing on grip.
- Suits smaller boats with mechanical or hydraulic steering.
- In-built hub fits a standard 3/4" tapered shaft.



Part No.	Description
JPW17863	Ø 300mm Black with Black Center & Carbon Grips



Steering Wheel with Speed Knob - 5 Spoke

Highly polished 316-grade stainless steel five-spoke steering wheel with speed knob.

- Finger indents around rim for a comfortable grip.
- Speed knob assists in quick rotations of the wheel.
- Supplied with black centre cap.
- In-built hub fits a standard 3/4" tapered shaft.



Part No.	Diameter (mm)
JPW19306	340
JPW19307	390



Steering Wheels - 5 Spoke

Highly polished 316-grade stainless steel five-spoke steering wheel.

- Finger indents around rim for a comfortable grip.
- Supplied with black centre cap.
- In-built hub fits standard 3/4" tapered shaft.



Part No.	Diameter (mm)
JPW19308	340
JPW19309	390



Steering Wheel Ø 343mm with Speed Knob - 3 Spoke

Highly polished 316-grade stainless steel three-spoke steering wheel.

- Finger indents around rim for a comfortable grip.
- Speed knob assists in quick rotations of the wheel.
- Supplied with highly polished stainless steel cap.
- In-built hub fits standard 3/4" tapered shaft.



Part No.	Diameter (mm)
JPW19310	343



Steering Wheel with Speed Knob - 3 Spoke

Highly polished 316-grade stainless steel three-spoke steering wheel with speed knob.

- Finger indents around rim for a comfortable grip.
- Speed knob assists in quick rotations of the wheel.
- Flat 4mm thick center spokes connect to the outer rim.
- Supplied with stainless steel cap.
- In-built hub fits a standard 3/4" tapered shaft.



Part No.	Diameter (mm)
JPW19300	340
JPW19301	390



Steering Wheels - 3 Spoke

Highly polished 316-grade stainless steel.

- Finger indents around rim for a comfortable grip.
- Flat 4mm thick center spokes connect to the outer rim.
- Supplied with highly polished stainless steel cap.
- In-built hub fits a standard 3/4" tapered shaft.



Part No.	Diameter (mm)
JPW19302	340
JPW19303	390

Ø 343mm Steering Wheel Soft Grip - 5 Spokes

Stainless steel steering wheel with soft grip spokes.

- In-built hub fits a standard 3/4" tapered shaft.
- Supplied with a centre cap.



Part No.	Description
JPW19305	Ø 343mm Stainless Steel / Black

Ø 343mm Steering Wheel with Speed Knob

Stainless steel steering wheel with soft grip spokes and speed knob.

- Speed knob assists in quick rotations of the wheel.
- Supplied with a centre cap.



Part No.	Description
JPW19312	Ø 343mm Stainless Steel / Black

Steering Wheel Control Knobs

316-grade stainless steel control knobs for faster and easier steering.

- Fit rim sizes: 20-25mm
- For hydraulic, non-feedback and non-reversible systems only.



JPW19320



JPW19321



Part No.	Model	Fits Rim Size
JPW19320	S2	20 - 25mm 3/4" - 1"
JPW19321	S3	20 - 25mm 3/4" - 1"

Steering Wheel Spares

Hub & Button (X63) is made to suit Ultraflex steering wheels for connection to a 3/4" tapered shaft.



Part No.	Description
JPW18881	Black Centre Ring
JPW18882	Hub & Button X63
U60697	Screw Silver Set for Steering Wheel
U60698	Screw Black Set for Steering Wheel



JPW18881

JPW18882

U60697

U60698

MECHANICAL STEERING 17

STEERING SYSTEM SELECTION GUIDE.....264

MECHANICAL STEERING SYSTEM KITS

- T71FC Planetary Gear System Kit.....266
- T73NRFC Planetary Gear System Kit.....267
- T85 Rotary System Kit.....265

MECHANICAL STEERING HELMS

- Mechanical Steering Cable Selection Guide ..264
- Non-Reversible Planetary Gear Fast Connect Helms.....268
- Planetary Gear Fast Connect Helms.....268
- Rotary Steering Helm & Bezel Kit.....267
- Tilt Planetary Gear Helm & Tilt Mechanism269

STEERING CABLES & ADAPTORS

- Bezels.....269
- Engine Connection Kit Guide.....270
- M66 Steering Cables.....265
- Steering Cable Adaptors.....269

STEERING SUPPORT ACCESSORIES

- Adjustable Tie Bars for Dual Engines.....271
- Clamp Block Transom Mount Kit.....270
- Engine Connection Kits.....271
- Mechanical Pulley Steering System.....272
- Rudder Support.....270
- Slop Stoppers & Trim Rings.....272
- Steering Cable Supports.....270
- Steering Grommets.....272
- Transom Mounting Kit.....270



STEERING SYSTEM SELECTION GUIDE

Speed, hull, horsepower, engine type, displacement and size are major factors in boat performance and handling characteristics. The selection guide should be used as a general reference only. Although mechanical helms are rated to high hp ratings, we highly recommend hydraulic steering to be fitted to all motors above 115kW (150hp) for optimum performance and maximum customer satisfaction.

*** Note:** Twin cable systems are recommended for boats that exceed 50mph. Always follow engine manufacturer's instructions.

Stemdrive engines not equipped with power steering can create very high steering loads. Our hydraulic steering systems are recommended for these types of boats.

OUTBOARD			INBOARD	STERNDRIVE*
Steering Helm Systems	Engine Power (HP)	Speed (m/ph)	Boat Length	Power Assisted
T85	25HP - Min. 75HP - Optimal. 115HP - Max.	50	Up to 9m (30ft)	Yes
T81FC	25HP - Min. 150HP - Optimal. 225HP - Max.	50	Up to 10m (35ft)	Yes
T71FC	25HP - Min. 150HP - Optimal. 225HP - Max.	50	Up to 10m (35ft)	Yes
T72FC	200HP - Optimal. 275HP - Max. (Twin Cable)	>50	Up to 10m (35ft)	Yes
T73NRFC	25HP - Min. 150HP - Optimal. 225HP - Max.	50	Up to 10m (35ft)	No
T74NRFC	25HP - Min. 200HP - Optimal. (Twin Cable)	>50	Up to 10m (35ft)	No

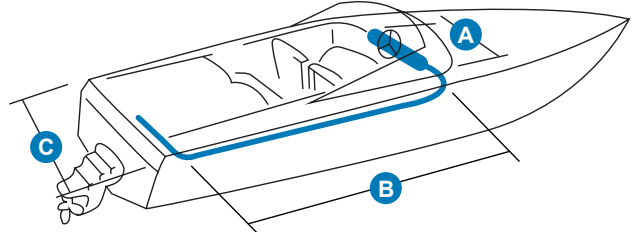
MECHANICAL STEERING CABLE REPLACEMENT SELECTION GUIDE®

Brand	Helm Model	Cable Marking Model	Replacement Cable Part No.
UltraFlex®	T85	M66	JPW18706 - JPW18725
	T81FC	M66	
	T71FC	M66	
	T72FC	M66	
	T73NRFC	M66	
	T74NRFC	M66	
Morse®	D290	D345, 190845, SSC290	JPW18706 - JPW18725
Teleflex®	Quick Connect 3 Turn	SSC62 or SSC92	Depending on cable length required
	Quick Connect 3 Turn Twin	SSC62 or SSC92	
	Quick Connect 4 Turn	SSC62 or SSC92	
	NFB 4.2	SSC62 or SSC92	
	NFB 4.2 Twin	SSC62 or SSC92	
	NFB Safe TII	SSC62 or SSC92	
	Safe TQC	SSC62 or SSC92	

HOW TO MEASURE FOR NEW STEERING CABLE INSTALLATION

One of the major factors in selecting a steering system is proper cable length. Due to specific routing in each boat, these approximate lengths will vary. Final selection should be made with the assistance of a qualified technician.

Add **A** + **B** + **C** and subtract 10cm (4") for each 90° bend in the cable. For installation through the engine tilt tube, add 30.5cm (1ft) to the measure calculated above. To order in foot length, divide by 30.5 and round off to the next whole foot.



Tilt Tube Mounting - Fig. 1

Example (dimensions in cm):

$$\text{A} (50) + \text{B} (250) + \text{C} (80) = 380$$

$$- 20 \text{ for two } 90^\circ \text{ bends} = 360 + 30.5$$

For a thru-tube installation 390.5cm :

$$30.5 = 12.8\text{ft}; \text{ round off to } 13\text{ft}.$$

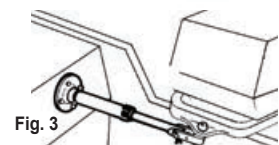
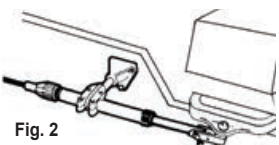
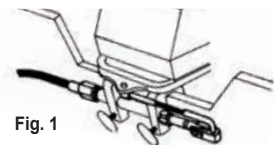
Transom Support or Splashwell Mounting - Fig. 2-3

Example (dimensions in cm):

$$\text{A} (50) + \text{B} (250) + \text{C} (80) = 380$$

$$- 20 \text{ for two } 90^\circ \text{ bends} = 360 : 30.5 =$$

$$11.8\text{ft}; \text{ round off to } 12\text{ft}.$$



MEASURING FOR REPLACEMENT STEERING CABLES

Order Length: **D** dimension + 56cm. To order in foot length, divide for 30.5 and round up to the next whole foot.

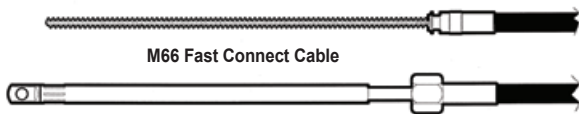
Example: **D** = 305cm + 56cm = 361cm : 30.5 = 11'8ft. Round up to 12ft.



Ultraflex® M66 Fast Connect Steering Cables

Fast connect and simple installation.

- All stainless steel cable output ends as per safety standards.
- Attaches directly to the tilt tube on all popular brands.
- Stroke length 228mm.
- Minimum steering cable bend radius 200mm.
- The M66 steering cable is also compatible with the Seastar® Helms which use the SSC62 style of cable.
- Exceeds both EN 28848 and ABYC P17 safety standards.



Part No.	Length		Part No.	Length	
	(ft)	(m)		(ft)	(m)
JPW18706	6	1.85	JPW18716	16	4.88
JPW18707	7	2.15	JPW18717	17	5.18
JPW18708	8	2.46	JPW18718	18	5.49
JPW18709	9	2.77	JPW18719	19	5.79
JPW18710	10	3.05	JPW18720	20	6.10
JPW18711	11	3.35	JPW18721	21	6.40
JPW18712	12	3.66	JPW18722	22	6.71
JPW18713	13	3.96	JPW18723	23	7.01
JPW18714	14	4.27	JPW18724	24	7.32
JPW18715	15	4.57	JPW18725	25	7.62

Ultraflex® Rotech-V T85 Steering Kit

- Fast connect and simple installation.
- All stainless steel cable output ends as per safety standards.
- Corrosion resistant materials.
- Particularly suitable where clearance is limited.
- Steering wheel turns approximately 3x lock to lock.
- Stroke length of 228mm.
- Minimal feedback.
- Compact for mounting.
- Standard 3/4" tapered shaft.
- T85 steering system is not to be used on boats equipped with engines that exceed the maximum horsepower rating of the boat.
- Exceeds EN28848 safety standards.
- Exceeds ABYC P17 safety standards.



This steering system kit consists of:

- M66 steering cable
- T85 helm (102.5mm diameter / 90° bezel)

Part No.	M66 Cable Length		Max. Allowable Steering Wheel Dia (mm)	Suitable for Engines (HP)	Min. Steering Cable Bend Radius (mm)
	(ft)	(m)			
JPW18709K	9	2.74	406	25 - 115	200
JPW18710K	10	3.05	406	25 - 115	200
JPW18711K	11	3.35	406	25 - 115	200
JPW18712K	12	3.65	406	25 - 115	200
JPW18713K	13	3.96	406	25 - 115	200
JPW18714K	14	4.27	406	25 - 115	200
JPW18715K	15	4.57	406	25 - 115	200
JPW18716K	16	4.88	406	25 - 115	200
JPW18717K	17	5.18	406	25 - 115	200
JPW18718K	18	5.49	406	25 - 115	200



Ultraflex® Rotech-I T71FC Steering Kit

- Fast connect and simple installation.
- All stainless steel cable output ends as per safety standards.
- Stroke length 228mm.
- Made with corrosion resistant materials.
- Particularly suitable where clearance is limited.
- Standard 3/4" tapered shaft, and optional 20° bezel kit.
- Steering wheel turns approximately 3.8x lock to lock.
- Minimal feedback.
- Compact for mounting.
- T71FC steering system is not to be used on boats equipped with engines that exceed the maximum horsepower rating of the boat.
- For boats exceeding 50mph, the twin cable steering system is recommended.
- Exceeds EN28848 safety standards.
- Exceeds ABYC P17 safety standards.



This steering system kit consists of:

- M66 steering cable
- T71FC helm (130mm diameter / 90° bezel)



Part No.	M66 Cable Length		Max. Allowable Steering Wheel Dia (mm)	Suitable for Engines (HP)	Min. Steering Cable Bend Radius (mm)
	(ft)	(m)			
JPW18730	12	3.65	406	25 - 225	200
JPW18731	13	3.96	406	25 - 225	200
JPW18732	14	4.27	406	25 - 225	200
JPW18733	15	4.57	406	25 - 225	200
JPW18734	16	4.88	406	25 - 225	200
JPW18735	17	5.18	406	25 - 225	200
JPW18736	18	5.5	406	25 - 225	200

Ultraflex® Rotech-III T73NRFC Steering Kit

- Easy and safe steering (a patented anti-feedback mechanism eliminates the continuous load on the operator caused by the propeller torque.
- Fast connect and simple installation.
- Stroke length 228mm.
- Made with corrosion resistant materials.
- Ideal for outboards and surfacing propellers.
- Particularly suitable where clearance is limited.
- Steering wheel system is approximately 3.8x lock to lock.
- T73NRFC steering systems are not to be used on boats equipped with engines that exceed the boat's maximum horsepower rating.
- For boats faster than 50m/ph, the twin cable steering system is recommended.
- Compact rotary helm unit (the central location of the steering shaft makes these systems the most compact in their class).
- Compact for mounting, with minimal feedback.
- Exceeds EN28848 and ABYC P17 safety standards.



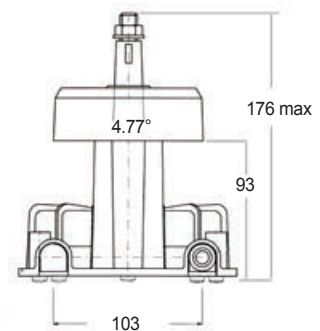
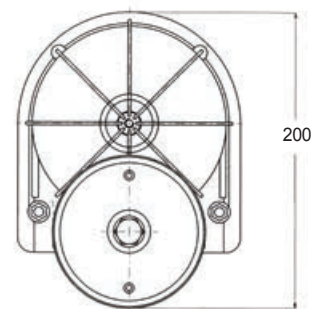
This steering system kit consists of:

- M66 steering cable
- T73NRFC helm (130mm diameter /90° bezel)
- Standard 3/4" tapered shaft
- Optional 20° Bezel kit

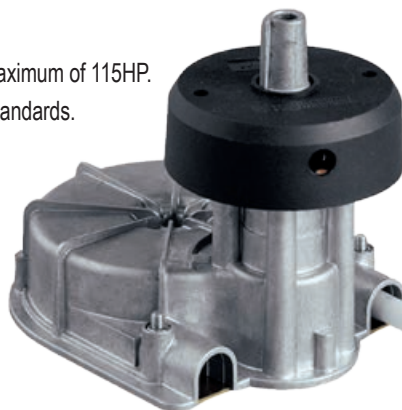
Part No.	M66 Cable Length		Max. Allowable Steering Wheel Dia (mm)	Suitable For Engines (HP)
	(ft)	(m)		
JPW18740	12	3.65	406	25 - 225
JPW18741	13	3.96	406	25 - 225
JPW18742	14	4.27	406	25 - 225
JPW18743	15	4.57	406	25 - 225
JPW18744	16	4.88	406	25 - 225
JPW18745	17	5.18	406	25 - 225
JPW18746	18	5.50	406	25 - 225

Ultraflex® T85 Rotary Steering Helm & Bezel

- Fast connect and simple installation, and made from corrosion resistant materials.
- Steering wheel turns approximately 3x lock to lock.
- Includes black 90° Bezel mounting kit (102.5mm diameter).
- Compact for mounting with minimum feedback.
- Uses M66 cable or SSC62 style cable.
- Particularly suitable where clearance is limited.
- Standard 3/4" tapered shaft.
- For use with outboard engines from 25HP to a maximum of 115HP.
- Exceeds both EN 28848 and ABYC P17 safety standards.



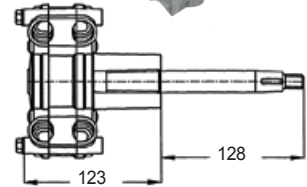
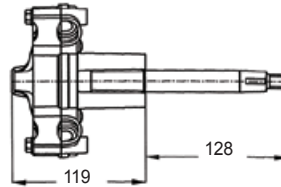
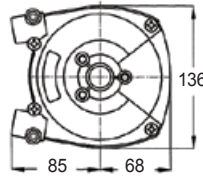
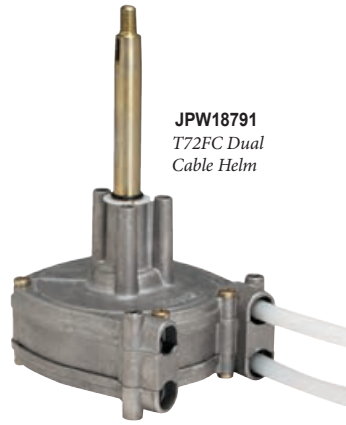
(Dimensions in mm)



Part No.	Max. Allowable Steering Wheel Dia (mm)
JPW18801	406

Ultraflex® T71FC & T72FC Steering Helms

- Fast connect and simple installation.
- Made from corrosion resistant materials.
- Particularly suitable where clearance is limited.
- Optional 90° or 20° mounting bezel.
- Features a standard 3/4" tapered shaft.
- Steering wheel turns approximately 3.8x from lock to lock.
- Compact for mounting with minimum feedback.
- For boats exceeding 50m/ph, the twin cable steering system T72FC is recommended.
- Uses M66 cable or SSC62 cable (the T72FC helm requires two cables).
- Exceeds both EN 28848 and ABYC P17 safety standards.

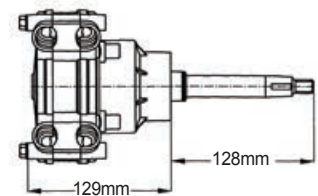
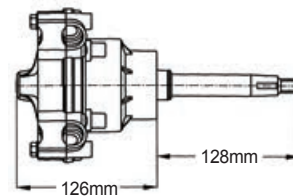
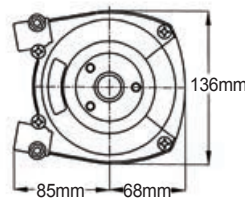


(Dimensions in mm)

Part No.	Type	Max. Allowable Steering Wheel Dia (mm)	Suitable For Engines (HP)
JPW18790	T71FC Single Cable Steering Helm	406	25 - 225
JPW18791	T72FC Dual Cable Steering Helm	406	25 - 225

Ultraflex® T73NRFC & T74NRFC Anti-Feedback Steering Helms

- Easy and safe steering, fast connect and simple installation.
- Compact rotary helm unit, particularly suitable where clearance is limited.
- Ideal for outboards and surfacing propellers.
- Optional 90° or 20° mounting bezel, with a standard 3/4" tapered shaft.
- Made exclusively with corrosion resistant materials.
- Steering wheel turns approximately 3.8x lock to lock.
- Compact for mounting with minimum feedback.
- For boats exceeding 50mph, the twin cable steering system is recommended.
- Uses M66 cable or SSC62 style cable.
- Exceeds both EN 28848 and ABYC P17 safety standards.



Note: Not suitable for power assisted steering, stern drives.

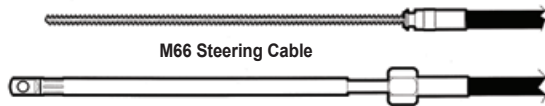
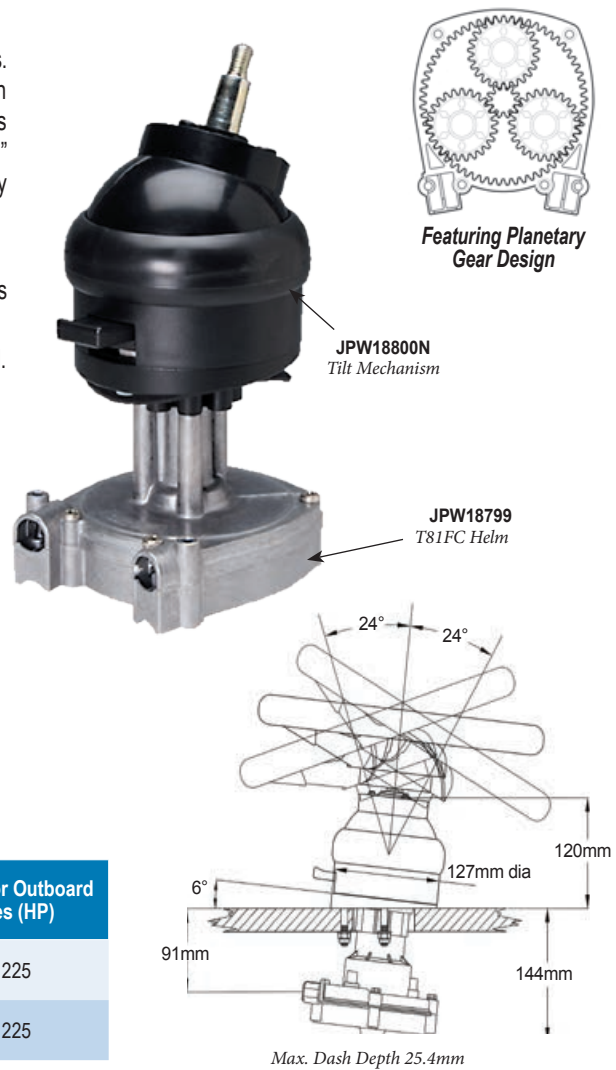
Part No.	Type	Max. Allowable Steering Wheel Dia (mm)	Suitable For Engines (HP)
JPW18802	T73NRFC Single Cable Steering Helm	406	25 - 225
JPW18793	T74NRFC Dual Cable Steering Helm	406	25 - 225

Ultraflex® T81FC Tilt Mechanism & Helm

The tilt range of this product goes up to 48° and features five locking positions. The device eliminates underdash movement, and boasts a simple installation and can be connected quickly. It is made from corrosion resistant materials with stainless steel cable output ends, and also features a standard 3/4" tapered stainless steel shaft. The steering wheel system turns approximately 3.8x from lock to lock.

- Stroke length 228mm.
- T81FC steering systems are not to be used on boats equipped with engines that exceed the maximum horsepower rating of the boat.
- For boats faster than 50mph hydraulic steering systems are recommended.
- Exceeds EN28848 safety standards.
- Exceeds ABYC P17 safety standards.

Note: Helm and Tilt Mechanism sold separately.



Part No.	Type	Max. Allowable Steering Wheel Dia (mm)	Suitable For Outboard Engines (HP)
JPW18799	T81FC Single Cable Steering Helm	406	25 - 225
JPW18800N	Tilt Mechanism 5-Position	406	25 - 225

Ultraflex® Mounting Helm Bezels

These mounting bezels are suitable to use with T71FC, T72FC, T73, T74, G86 and G88NR helms.

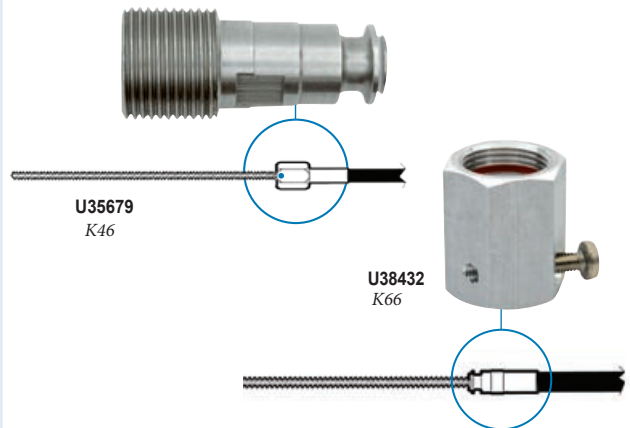
- 130mm diameter x 45mm high.



Part No.	Type
JPW18804	X35 20° Mounting Kit
JPW18805	X34 90° Mounting Kit

Steering Cable Adaptors

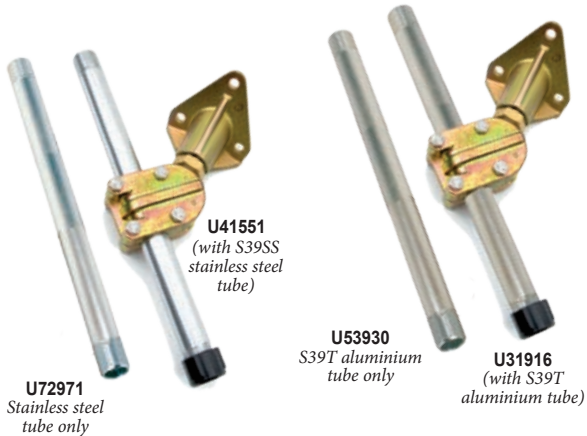
- K66 Steering Cable Adaptor converts the M66 fast connect cable into a M47 nut to nut cable which accepts the old T71, T72, T73NR, T74NR and T81.
- The K46 converts the old M47 nut to nut cable into an M66 fast connect which accepts the T85, T71FC, T72FC, T73NRFC, T74NRFC and T81FC.



Part No.	Type
U35679	K46 Steering Cable Adaptor
U38432	K66 Steering Cable Adaptor

Transom Clamp Block Mounting Kit

- S39 swivel clamp block, with a aluminium tube.
- S39SS swivel clamp block, with a stainless steel tube.
- S39T aluminium tube to suit clamp block.



Part No.	Type
U31916	S39 Swivel Clamp Block & Aluminium Tube
U53930	S39T (Aluminium Tube Only)
U41551	S39SS Swivel Clamp Block & S/S Tube
U72971	S39SS (Stainless Steel Tube Only)

Steering Cable Supports

- S40 marine aluminium tube and 79mm stainless steel splashwell mounting.
- The S40 also includes 6mm mounting bolts.



Part No.	Type
U41552	S40 Splashwell Mounting
U53935	S40T (Tube Only)

Rudder Support

Corrosion-resistant 90° rudder support, with aluminium tube.



Part No.	Type
U41553	S55 90° Rudder Support
U34744	S55 90° Aluminium Rudder Support

Transom Mount Kit - Clamp Block

- Corrosion resistant painted steel clamp block.
- S61 supplied with a stainless steel tube.
- S62 supplied with a marine aluminium tube.
- Tubes are available in stainless steel and aluminium.

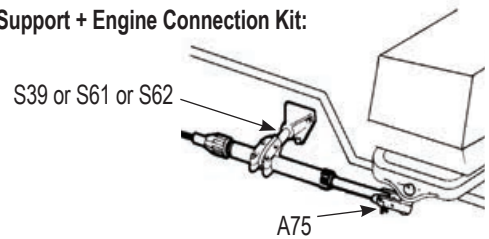


Part No.	Type	Tube (mm)	Height (mm)
U41554	S61 Mount	283	117
U38830	S62 Mount	283	55

TYPICAL ENGINE CONNECTION GUIDE

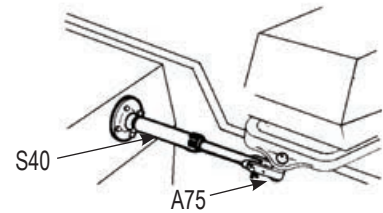
A: With Clamp Block

Cable Support + Engine Connection Kit:



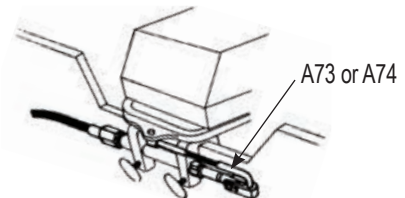
B: With Splashwell

Cable Support + Engine Connection Kit:



C: With Tiller Arm

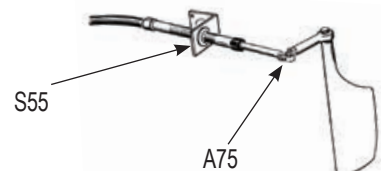
Cable Support + Engine Connection Kit:



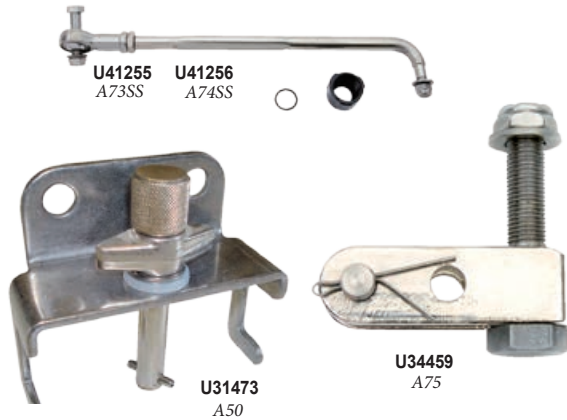
D: With 90° Rudder Support

Cable Support + Engine Connection Kit:

S55 + A75



Engine Connection Kits



Part No.	Type
U31473	A50 Yamaha Connection Kit
U41255	A73SS Tiller Drag Link Arm - Mercury, Yamaha, Suzuki
U41256	A74SS Tiller Drag Link Arm - OMC/BRP
U34459	A75 Clevis Engine Connect

Mechanical Pulley Steering Spares

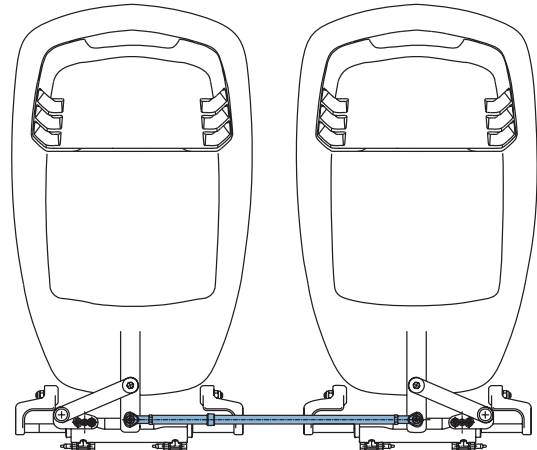


Part No.	Type	Description
JPW5250	Blue PVC Coated Steering Cable	Galvanised cable, 3mm wire, 5mm outer. Available in 100m rolls
JPW5251	Tiller Cable Clamp	B22 brass. U bolt type.
JPW5254	Single Steering Pulley - Swivel Top	65mm diameter pulley, 13mm inside diameter ring. 300kg max working load.
RM212	Cable Tension Spring	Stainless steel. Used with pulley steering systems.

Adjustable Tie Bars for Dual Engines

Universal tie bars suitable for all outboard applications.

- A88 tie bar adjustable from 650 - 950mm engine centres.
- A92 tie bar adjustable from 550 - 700mm engine centres.
- Applicable to twin outboard engines using mechanical/hydraulic steering.



Note: When the clearance between engine tiller arms and cowling is not sufficient for the use of A88, the A92 tie bar is recommended.

Part No.	Type	Adjustable Length (mm)
JPW18050	A88	650 - 950 engine centres
JPW18052	A92/700	550 - 700 engine centres



Steering Grommets - Ultraflex®



Part No.: **U38060**
 Type: R1 Large
 Colour: Black
 Outer Ø (mm): 152
 Hole Ø (mm): 12
 Height (mm): 110



Part No.: **U38061**
 Type: R2 Small
 Colour: Black
 Outer Ø (mm): 105
 Hole Ø (mm): 9
 Height (mm): 65



Part No.: **U38062**
 Type: R3 2 Hole
 Colour: Black
 Outer Ø (mm): 105
 Hole Ø (mm): 5
 Height (mm): 52



Part No.: **U38827**
 Type: R4 Adjustable
 Colour: Black
 Outer Ø (mm): 105
 Hole Ø (mm): 55
 Height (mm): 68



Part No.: **U38956**
 Type: R4 Adjustable
 Colour: White
 Outer Ø (mm): 105
 Hole Ø (mm): 55
 Height (mm): 68



Part No.: **JPW17880**
 Type: -
 Colour: Black
 Outer Ø (mm): 105
 Hole Ø (mm): 12
 Height (mm): 65



Part No.: **JPW17881**
 Type: -
 Colour: Black
 Outer Ø (mm): 150
 Hole Ø (mm): 12
 Height (mm): 115



Part No.: **JPW17882**
 Type: -
 Colour: Black
 Outer Ø (mm): 90
 Hole Ø (mm): N/A
 Height (mm): 100



Part No.: **JPW17883**
 Type: Small Adjustable
 Colour: Black
 Outer Ø (mm): 117
 Hole Ø (mm): 55
 Height (mm): 70



Part No.: **JPW17884**
 Type: Large Adjustable
 Colour: Black
 Outer Ø (mm): 152
 Hole Ø (mm): 85
 Height (mm): 92

High Quality Slop Stoppers & Trim Rings

Trim rings protect wiring and plumbing from chaffing by neatly finishing holes in bulkheads, engine wells, etc.

- Made from soft PVC plastic for excellent weather & chemical resistance.
- Splash-proof round slop stopper boots prevent damage to cables and hoses in engine wells etc.



Part No.: **JPW5293**
 Type: Oval Trim Ring
 Colour: Black
 Hole Ø (mm): 115 x 60
 Total Dimensions: 135 x 82
 Cut-out (mm): 120 x 62
 Max. panel thickness (mm): 5
 Intrusion (mm): -



Part No.: **JPW5291**
 Type: Round Trim Ring
 Colour: White
 Hole Ø (mm): 65
 Total Dimensions: 90
 Cut-out (mm): 65
 Max. panel thickness (mm): 6
 Intrusion (mm): -



Part No.: **JPW5292**
 Type: Round Trim Ring
 Colour: Black
 Hole Ø (mm): 65
 Total Dimensions: 90
 Cut-out (mm): 65
 Max. panel thickness (mm): 6
 Intrusion (mm): -



Part No.: **JPW5294**
 Type: Round Slop Stopper
 Colour: White
 Hole Ø (mm): 50
 Total Dimensions: 90
 Cut-out (mm): 62
 Max. panel thickness (mm): 6
 Intrusion (mm): 45



Part No.: **JPW5300**
 Type: Round Slop Stopper
 Colour: Black
 Hole Ø (mm): 50
 Total Dimensions: 90
 Cut-out (mm): 62
 Max. panel thickness (mm): 6
 Intrusion (mm): 45



Part No.: **JPW5301**
 Type: Oval Slop Stopper
 Colour: Black
 Hole Ø (mm): 115 x 60
 Total Dimensions: 135 x 80
 Cut-out (mm): 120 x 62
 Max. panel thickness (mm): 5
 Intrusion (mm): 45

HYDRAULIC STEERING 18

HYDRAULIC STEERING INTRODUCTION & CROSS REFERENCE274 - 275

HYDRAULIC STEERING KITS

Gotech Steering Kit - 115hp	276
HYCO Side Mount Steering Kit - 150hp	279
HYCO Steering Kit - 150hp.....	277
HYCO-1 Inboard Steering Kit - 300hp	279
Nautech 1 Steering Kit - 300hp	279
SilverSteer Steering Kits - 350hp	280

TUBES & HOSES

High Flex Hoses & Fittings	289
Hydraulic Nylon Tubing	289

OUTBOARD CYLINDERS & TIE BARS

Front Mount Cylinders (UC94-OBF & UC128-OBF)	284
Side Mount Cylinders (UC68-OBS & UC132-OBS)	285
Tie Bars (A88, A90, A92, A94) & Rod Ends	290

HYDRAULIC CYLINDERS

Cylinder Application & Order Guide.....	286
Outboard Cylinders	284
Inboard Cylinders	285
Sterndrive Cylinders	285

HYDRAULIC HELM PUMPS

Front Mounts Helm Pumps	287-288
Rear Mounts Helm Pumps	288
Tilt Mounts Helm Pumps	288

MASTERDRIVE POWER ASSIST STEERING

Masterdrive Single & Dual Station Kits.....	281 - 282
Masterdrive Accessories	
Cylinders SilverSteer (UC128-SVS)	284
UH/UHD Helm Pumps.....	288
UPMD Power Unit	283
UCMD Switch Panel	283
Masterdrive Hose Kits	283

HYDRAULIC STEERING ACCESSORIES

Bleed T	291
Brass Hydraulic Fittings	292
Bulkhead Fitting Kit	289 - 291
Hose Connectors.....	292
Hose Kits Accessories (R8, R9 & Strain Relief)	289
Hydraulic Fluid Link Valve	292
Nut & Olive Assembly.....	292
Portable Purging Kit	291



HYDRAULIC STEERING INTRODUCTION & CROSS REFERENCE

Hydraulic Steering Systems

All the components of Ultraflex® hydraulic steering systems are made specifically for the marine environment, using materials and working process which offer long life and safety for the most extreme conditions.

How The System Works

A hydraulic steering system consists of a steering pump, a cylinder tied to the rudder or to the outboard or sterndrive engine and the connecting nylon or copper tubing.

Under normal operating conditions, a turn of the steering wheel will send the oil from the helm into one of the two connecting hydraulic lines. The oil will be pumped into one of the chambers and either extend or retract the cylinder rod, depending on the steering wheel rotation. The fluid going out from the other chamber of the cylinder is returned to the helm via the other hydraulic line.

There are two basic components in all the hydraulic steering systems: the helm unit and the cylinder, by flexible nylon hose or copper tubing. The helm unit consists of both a hydraulic pump and a valve assembly. The valve assembly prevents outgoing fluid from returning along the same line, isolates each steering station, locks the rudder and eliminates rudder "feedback" to the helm. The cylinders are double acting and may be balanced or unbalanced (in which case the rod extends through only one end of the cylinder).

Cross Reference

This Cross Reference chart has been drawn to facilitate a functional comparison among brands and should be used as general reference only. For further information, please contact our Technical Service Department.

Cylinders

Ultraflex	Teleflex
UC94-OBF	Seastar HC4645
UC128-OBF	Seastar HC5345
UC128-SVS	Seastar HC6345
UC68-OBS	-
UC132-OBS	Seastar HC5370
UC69-I	Seastar HC4461-3
UC116-1	Seastar HC5312
UC168-I	Seastar HC5314
UC215-I	Seastar HC5319
UC293-I	-
UC378-I	K-3/HC5802

Helm Pumps

Ultraflex	Teleflex
UP20 F	BayStar HH4314
UP20 T	BayStar HH4315
UP25 F	Seastar 1.7 HH5269
UP25NV F	Seastar 1.7 HH5761
UP25 T	Seastar 1.7 HH5744
UP28 F	Seastar 1.7 HH5271
UP28 T	Seastar 1.7 HH6541
UP28R	Seastar 1.7 HH5261
UP33 F	Seastar 2.0 HH5273
UP33NV F	Seastar 2.0 HH5760
UP33 T	Seastar 2.0 HH6543
UP33 R	-
UP39 F	Seastar 2.4 HH5272
UP39 T	Seastar 2.4 HH6542
UP39 R	Seastar 2.4 HH5262
UP45 F	Seastar 3.0 HH5285
UP45 T	-
UP45 R	Seastar 3.0 HH5265
UP28 F-SVS	Seastar PRO - HH5779
UP28 T-SVS	Seastar PRO - HH6573
UP33 F-SVS	Seastar PRO - HH5770
UP33 T-SVS	Seastar PRO - HH6574
UP39 F-SVS	Seastar PRO - HH5772
UP39 T-SVS	Seastar PRO - HH6188

Suggestions And Warnings When Selecting A Hydraulic Steering System

The strength required to drive a boat equipped with a hydraulic steering system is inversely proportional to the number of turns of the wheel lock-to-lock. The wheel turns are determined by the ratio between cylinder volume, pump displacement. With the same type of cylinder installed on the engine, the less are the turns, the faster is the response but higher is the effort; more wheel turns, slower is the response and lower is the effort.

Other factors that can influence steering effort are:

- Vessel speed. • Rudder dimension, or engine power.
- Propeller selection. • Hull type (displacement, planing, etc).
- Sea conditions. • Oil viscosity.

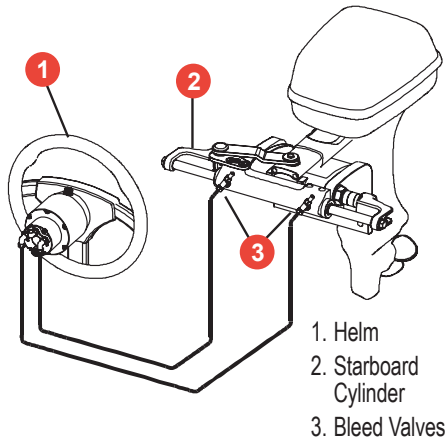
How To Measure Steering Wheel Turns

Divide the volume of the cylinder in cubic centimetres (cc) by the volume of the helm pump in cubic centimetres equals the number of turns lock to lock.

EXAMPLE: Cylinder Volume = 132cc $132 \div 25 = 5.28$ turn
Helm Pump Volume = 25cc Round off to 5.3 turns

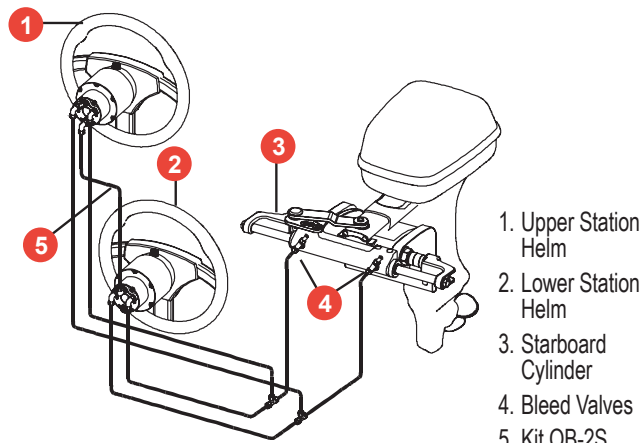
Note: When selecting the right helm pump for cylinder, please consult our technical service department.

Single Station / Single Cylinder



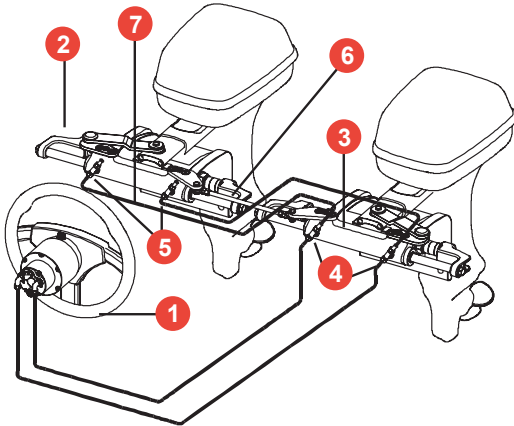
- 1. Helm
- 2. Starboard Cylinder
- 3. Bleed Valves

Dual Station / Single Cylinder:



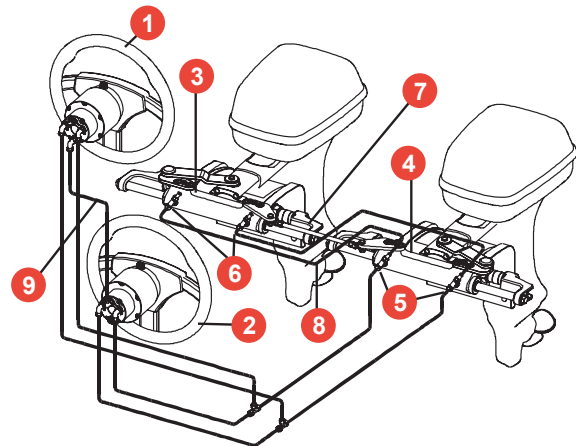
- 1. Upper Station Helm
- 2. Lower Station Helm
- 3. Starboard Cylinder
- 4. Bleed Valves
- 5. Kit OB-2S

Single Station / Dual Cylinder:



- 1. Helm
- 2. Starboard Cylinder
- 3. Port Cylinder
- 4. 'T' Fittings
- 5. Bleed Valves
- 6. Tie Bar
- 7. Kit OB-2C (Kit OB-2C-SVS for Silversteer)

Dual Station / Dual Cylinder:



- 1. Upper Station Helm
- 2. Lower Station Helm
- 3. Starboard Cylinder
- 4. Port Cylinder
- 5. 'T' Fittings
- 6. Bleed Valves
- 7. Tie Bar
- 8. Kit OB-2C (Kit OB-2C-SVS for Silversteer)
- 9. Kit OB-2S



Ultraflex® Gotech 115HP Front Mount Hydraulic Steering Kit

Ultraflex Gotech Steering Kits are designed for outboard engines rated up to 115HP (refer to chart below for engine application guide).

All Gotech Steering Kits come complete with a Helm Pump, Front Mount Cylinder, hydraulic oil and premium Hi-flex hoses.

KIT CONTAINS:

- 1x UP18 Helm Pump 18cc.
- 1x UC81-OBF Front mount outboard Cylinder
- 2x 1L Hydraulic Oil - (U70704).
- 2x Hose kit with pre-assemble fitting at one end & 2x brass connectors
- 1/4" dia x 6m (19.7") length - KIT OB-GT/M

NOTE: Steering wheel not included in these kits, see (pages S16 259-262).

Up to 115hp - 4.5 wheel turns

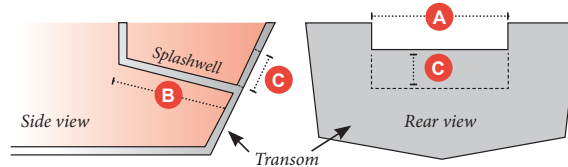


Select Your Kit

	Part No.	Type
KIT 1	JPW18934	Gotech Hydraulic Steering Kit with UC81-OBF/1 Cylinder

Splashwell Requirements

A (mm)	B (mm)	C (mm)
590	152	152



Engine Application Guide

Power	Year	Cylinder	Kit
EVINRUDE®			
E40-E50-E55-E60 2T E75-E90 2T E115 2T V4	2004 - today 2004 - today 1995 - today	UC81-OBF/1	1
HONDA®			
BF40-50-60-75-90 4T BF115D BF115A BF90 V-TEC 4T	1995 - today 1998 - 2009 2009 - today 2008 - today	UC81-OBF/1	1
JOHNSON®			
BJ60-70 4T BJ90-115 4T J90-115 V4 2T	2001 - 2007 2001 - 2007 1995 - 2007	UC81-OBF/1	1
MERCURY® MARINER®			
50-75-90 2T 115 EFI 2T 75-90-115 Optimax 2T 40-50-60 EFI 4T 75-80-90 EFI 4T 100-115 EFI 4T	1990 - 2008 1990 - 2007 2004 - today 2004 - today 2000 - today 2007 - today	UC81-OBF/1	1
SUZUKI®			
DF40-50-60-70-80-90 4T DF100-115 4T * DF100-115 4T New Model	1998 - today 1998 - 2008 2008 - today	UC81-OBF/1	1
TOHATSU® NISSAN®			
40-50-60-70-90 2T 75-115 2T 40-50TLDI 4T 70-90-115 TLDI 4T	2004 - today	UC81-OBF/1	1

Power	Year	Cylinder	Kit
SELVA®			
40XS-50 Madeira 2T 40XS-50 Bull Shark 2T 40XS-60 Grey Shark 2T 40XS-70 Mako Shark 2T 40XS-60 St. Tropez 2T 80 Portofino/Tigershark 2T 25 Kingfish 4T 40 Aruana 4T 40XS-40XSR-50-60 Dorado EFI 4T 40XSR EFI Murena 4T 80XS-100-100XSR EFI Marlin 4T 115-115XSR EFI Tarpon 4T 115 EFI Narwhal 4T	1995 - today 2000 - today	UC81-OBF/1	1
YAMAHA®			
60-70 2T 75C-90 2T 115C 2T F40G-F70 4T F30-F40 -F60-F75-F80 EFI 4T F90-F100-F115 EFI 4T F80-F100 4T F115 F40D-F50F-F60C EFI 4T	1984 - 2008 1998 - 2008 1990 - 2008 2010 - today 1999 - 2007 1999 - 2007 2000 - today 2004 - today	UC81-OBF/1	1

*NOTE: Suzuki engines built from 1998-2008 installing UC81-OBF cylinder requires optional KIT-SU (41954W).

Ultraflex® HYCO 150HP Front Mount Hydraulic Steering Kits

Ultraflex HYCO Steering Kits are designed for outboard engines rated up to 150HP (refer to chart below for engine application guide).

- All HYCO steering kits come complete with a Helm Pump, Front Mount Cylinder and hydraulic oil.

KIT CONTAINS:

- 1x UP20F Helm Pump.
- 1x UC68-OBF Front Mount Outboard Cylinder
- 2x 1L Hydraulic Oil - (U70704).

NOTE: Hose kits not included due to size variations
See hose kit options on (pages 289).

Steering wheel not included in these kits,
see (pages S16 259-262).

**Up to 150hp -
4.7 wheel turns
(balanced)**



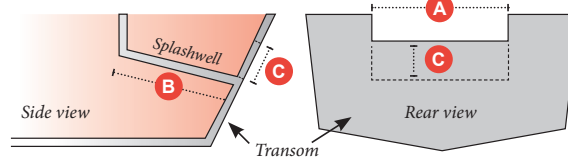
Select Your Kit

	Part No.	Type
KIT 1	JPW18935	UC94-OBF/1 Cylinder *
KIT 2	JPW18936	UC94-OBF/3 Cylinder *

* **Note:** Hose not included.

Splashwell Requirements

No. of Engines	A (mm)	B (mm)	C (mm)
1	540	152	152
2*	1110	152	152



***Note:** For twin engine applications, the minimum distance between the two engine centres is 550mm.

Engine Application Guide

Power	Year	Cylinder	Kit
EVINRUDE®			
E40-E50-E55-E60 2 Stroke	2004 - today	UC94-OBF/1	1
E75-E90 2 Stroke	2004 - today		
E115-E130-E135 2 Stroke	1995 - today		
V4 E150 2 Stroke V6	1995 - today		
HONDA®			
BF75-BF90 4 Stroke	1995 - today	UC94-OBF/1	1
BF115D	1998 - 2009	UC94-OBF/3	2
BF115A	2009 - today	UC94-OBF/1	1
BF130A	1998 - 2005	UC94-OBF/3	2
BF135-BF150 4 Stroke	2005 - today	UC94-OBF/1	1
BF90-BF150 V-TEC 4 Stroke	2008 - today	UC94-OBF/1	1
JOHNSON®			
BJ60-70 4 Stroke	2001 - 2007	UC94-OBF/1	1
BJ90-115-140 4 Stroke	2001 - 2007		
J90-115 V4 2 Stroke	1995 - 2007		
MERCURY® MARINER®			
50-75-90 2 Stroke	1990 - 2008	UC94-OBF/1	1
115-125-150 EFI 2 Stroke	1990 - 2007	UC94-OBF/1	1
75-90-115-125	2004 - today	UC94-OBF/3	2
Optimax 2 Stroke	1999 - today	UC94-OBF/1	1
135-150 Optimax 2 Stroke			
40-50-60 EFI 4 Stroke			
75-80-90 EFI 4 Stroke			
100-115 EFI 4 Stroke	2007 - today	UC94-OBF/1	1
150 4 Stroke	2011 - today	UC94-OBF/1	1
SUZUKI®			
DF70-80-90 4 Stroke	1998 - today	UC94-OBF/1	1
DF100-115-140 4 Stroke *	1998 - 2008		
DF100-115-140 4 Stroke <small>New Model</small>	2008 - today		
DF150 4 Stroke	2006 - today		

Power	Year	Cylinder	Kit
TOHATSU® NISSAN®			
50-60-70-90 2 Stroke	2004 - today	UC94-OBF/1	1
115-120-140 2 Stroke	2004 - today		
40-50TLDI 4 Stroke	2004 - 2011		
70-90-115 TLDI 4 Stroke	2004 - 2011		
SELVA®			
50 Madeira / Bull Shark	-	-	-
- 60 Grey	-	UC94-OBF/1	-
Shark / St. Tropez	-		
- 70 Mako Shark 2 Stroke	-	UC94-OBF/1	1
80 Portofino / Tigershark 2 Stroke	1995 - 2008	UC94-OBF/1	1
150 White Shark 2 Stroke	2001 - 2007	UC94-OBF/1	1
50-60 Dorado EFI 4 Stroke	-	UC94-OBF/1	1
100 EFI Marlin - 115	2000 - today	UC94-OBF/1	1
EFI Narwhal - 150 EFI Killer		UC94-OBF/1	1
Whale 4 Stroke	-	-	-
YAMAHA®			
60-70 2 Stroke	1984 - 2008	UC94-OBF/1	1
75C-90 2 Stroke	1998 - 2008		
115C-130B 2 Stroke	1990 - 2008		
150F	1996 - 2007		
150 HPDI VMAX 2 Stroke	2000 - 2008		
F60-F75-F80 EFI 4 Stroke	1999 - 2007		
F90-F100-F115-F150 EFI 4 Stroke	1999 - 2007		
F80-F100 4 Stroke	2000 - today		
F115-F150	2004 - today		

***NOTE:** Suzuki engines built from 1998-2008 installing UC94-OBF cylinder requires optional KIT-SU (41954W).

Ultraflex® NAUTECH-1 300HP Front Mount Hydraulic Steering Kits

Ultraflex NAUTECH-1 Steering Kits are designed for outboard engines rated up to 300HP (refer to chart below for engine application guide).

All NAUTECH Steering Kits come complete with a Helm Pump, Front Mount Cylinder and hydraulic oil.

KIT CONTAINS:

- 1x UP28F Front Mount Helm Pump
- 1x UC128-OBF Front Mount Outboard Cylinder
- 2x 1L Hydraulic Oil - (U70704).

For SECOND STATION add:

- 1x UP28F Helm Pump (JPW18900).
- 1x OB-2S Fitting kit (U38539).
- 1x 1L hydraulic oil (U70704).

NOTE: Hose kits not included due to size variations
See hose kit options on (pages 289).

Steering wheel not included in these kits,
see (pages S16 259-262).



**Up to 300hp -
4.3 wheel turns
(balanced)**

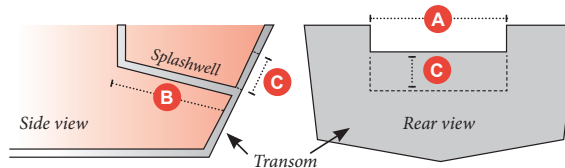
Select Your Kit

	Part No.	Type
KIT 1	JPW18940	UC128-OBF/1 Cylinder *
KIT 2	JPW18941	UC128-OBF/2 Cylinder *
KIT 3	JPW18942	UC128-OBF/3 Cylinder *

* **Note:** Hose not included.

Splashwell Requirements

No. of Engines	A (mm)	B (mm)	C (mm)
1	560	152	152
2*	1110	152	152



***Note:** For twin engine applications, the minimum distance between the two engine centres is 550mm.

Engine Application Guide

Power	Year	Cylinder	Kit
EVINRUDE®			
E75-E90 2 Stroke	2004 - today	UC128-OBF/2	2
E115-E130-E135 2 Stroke V4	1995 - today		
E150-E175-E200 2 Stroke V6	1995 - today		
E200 HO - E225-E250 2 Stroke V6	1995 - today		
E250 HO - E300 2 Stroke V6	1995 - today		
HONDA®			
BF75-90 4 Stroke	1995 - today	UC128-OBF/1	1
BF115D	1998 - 2009	UC128-OBF/3	3
BF115A	2009 - today	UC128-OBF/1	1
BF130A	1998 - 2005	UC128-OBF/3	3
BF135-150 4 Stroke	2005 - today	UC128-OBF/1	1
BF90-BF150 V-TEC 4 Stroke	2008 - today	UC128-OBF/1	1
BF175-200-250 4 Stroke	2001 - today	UC128-OBF/1	1
JOHNSON®			
BJ90-115-140 4 Stroke	2001 - 2007	UC128-OBF/1	1
J90-115 V4 2 Stroke	1995 - 2007	UC128-OBF/2	2
J150-175 V6 2 Stroke	1995 - 2007	UC128-OBF/2	2
J200-225 V6 4 Stroke	2004 - 2007	UC128-OBF/2	2
MERCURY® MARINER®			
75-90-115-125 Optimax 2 Stroke	2004 - today	UC128-OBF/3	3
135-150-175 Optimax 2 Stroke	1999 - today	UC128-OBF/1	1
200-225-250 Optimax 2 Stroke	1999 - today	UC128-OBF/1	1
RACING 300 Optimax 2 Stroke	1999 - 2011	UC128-OBF/1	1
100-115 EFI 4 Stroke	2007 - today	UC128-OBF/1	1
115-125-150 EFI 2 Stroke	1990 - 2007	UC128-OBF/1	1
225-250 EFI 2 Stroke	2000 - 2007	UC128-OBF/1	1
250 Saltwater EFI 4 Stroke	2007 - 2011	UC128-OBF/1	1
135-150-175-200 Verado L4 4 Stroke	2004 - 2006	UC128-OBF/1	1

Power	Year	Cylinder	Kit
SUZUKI®			
DF70-80-90 4 Stroke	1998 - today	UC128-OBF/2	2
DF100-115-140 4 Stroke	1998 - 2008	UC128-OBF/1	1
DF100-115-140 4 Stroke New Model	2008 - today	UC128-OBF/1	1
DF150-175 4 Stroke	2006 - today	UC128-OBF/1	1
DF200-DF225-DF250-DF300		UC128-OBF/2	2
TOHATSU® NISSAN®			
115-120-140 2 Stroke	2004 - today	UC128-OBF/2	2
70-90-115 TLDI 4 Stroke	2004 - 2011	UC128-OBF/1	1
SELVA®			
80 Portofino / Tigershark 2 Stroke	1995 - today	UC128-OBF/1	1
150 White Shark 2 Stroke	-	-	-
100EFI Marlin - 115 EFI Narwhal	2001 - 2007	UC128-OBF/2	2
150EFI Killer Whale 4 Stroke	2000 - today	UC128-OBF/1	1
YAMAHA®			
75C-90 2 Stroke	1998 - 2008	UC128-OBF/2	2
115C-130B 2 Stroke	1990 - 2008	UC128-OBF/2	2
150F-200F-250G 2 Stroke	1996 - 2007	UC128-OBF/2	2
150 HPDI VMAX 2 Stroke	2000 - 2008	UC128-OBF/2	2
175-200-225-250-300 HPDI VMAX 2St	2000 - 2008	UC128-OBF/2	2
F70 4 Stroke	2010 - today	-	-
F90-F100-F115-F150 EFI 4 Stroke	1999 - 2007	UC128P-OBF/1	1
F200-F225-F250 4 Stroke	2002 - 2007	UC128-OBF/2	2
F115-F150	2004 - today	UC128-OBF/1	1
F200-F225-F250-F300 4 Stroke	2006 - today	UC128-OBF/2	2
F350 4 Stroke	2008 - today	See UC128-SVS	-

***NOTE:** Suzuki engines built from 1998-2008 installing UC128-OBF/1 cylinder requires optional KIT-SU (41954W).

Ultraflex® HYCO 150HP Side Mount Hydraulic Steering Kit

Ultraflex HYCO Side Mount Steering Kits are designed for outboard engines rated up to 150HP (refer to engine application guide on page 277).

All HYCO Side Mount Steering Kits come complete with a Helm Pump, Front Mount Cylinder and hydraulic oil.

- UC68-OBS side mount cylinder features a Patented turning nut for a fast and easy installation to the engine tube.
- Clearance required at the engine tube side is 340mm.
- Recommended for use where maximum boat speed do not exceed 40 knots.

KIT CONTAINS:

- 1x UP20F Front Mount Helm Pump 20cc. (JPW18898)
- 1x UC68-OBS Side Mount Cylinder (JPW18919)
- 2 x 1L Hydraulic Oil (U70704)

NOTE: Hose kits not included due to size variations
See hose kit options on (pages 289).

*Up to 150hp -
3.4 or 5 wheel turns
(Unbalanced)*



Refer to page 285 for further cylinder specifications

Select Your Kit

Part No.	Type
JPW18937	Side-Mount Cylinder Kit*

* Note: Hose not included.

Ultraflex® HYCO-1 150HP Inboard Hydraulic Steering Kit

Ultraflex HYCO-1 Steering Kits are designed for inboard engines rated up to 150HP.

- 3.5 turns lock to lock, balanced lock-to-lock is equal
- HYCO-I steering system is suitable for inboard boats up to 8m length and 25mph maximum speed.

KIT CONTAINS:

- 1x UP20F Front Mount Helm Pump 20cc. (JPW18898)
- 1x UC69-I Side Mount Cylinder (JPW18917)
- 2 x 1L Hydraulic Oil (U70704)

NOTE: Hose kits not included due to size variations
See hose kit options on (pages 289).

*Up to 150hp -
3.5 wheel turns
(Balanced)*



Refer to page 285 for further cylinder specifications

Select Your Kit

Part No.	Type
JPW18938	Inboard Hydraulic Kit *

* Note: Hose not included.

Ultraflex® SilverSteer™ 350HP Front Mount Hydraulic Steering Kits

Ultraflex SilverSteer™ Steering Kits are designed for outboard engines rated up to 350HP (refer to chart below for engine application guide). All SilverSteer™ Steering Kits come complete with a Helm Pump, Front Mount Cylinder and hydraulic oil.

KIT CONTAINS:

- 1x UC128-SVS Front Mount Outboard Cylinder.
- 1x UP28F SVS Front Mount Helm Pump 28cc. (optional UP33F & UP39 SVS if required)
- 2x 1L Hydraulic Oil - (U70704).

For SECOND STATION add:

- 1x UC128-SVS Helm Pump (JPW18947)
- 1x OB-2S Fitting Kit (U38539)
- 1x 1L Hydraulic Oil (U70704)

NOTE: Hose kits not included due to size variations See OB-SVS hose kit options on (pages 283).

Steering wheel not included in these kits, see (pages S16 259-262).



**Up to 350hp -
4.3 wheel turns
(balanced)**

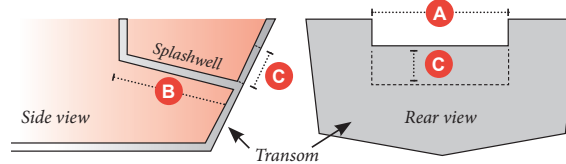
Select Your Kit

	Order Code	Type
KIT 1	JPW15715	UC128-SVS/1 Cylinder *
KIT 2	JPW15716	UC128-SVS/2 Cylinder *
KIT 3	JPW15717	UC128-SVS/3 Cylinder *

* **Note:** Hose not included.

Splashwell Requirements

No. of Engines	A (mm)	B (mm)	C (mm)
1	560	152	152
2*	1110	152	152



***Note:** For twin engine applications, the minimum distance between the two engine centres is 550mm.

Engine Application Guide

Power	Year	Cylinder	Kit	Power	Year	Cylinder	Kit
EVINRUDE®				SUZUKI®			
E115-E130-E135 2 Stroke V4	1995-to date	UC128/2-SVS	2	DF100-115-140 4 Stroke*	1998-2008	UC128/1-SVS*	1
E150-E175-E200 2 Stroke V6	1995-to date	UC128/2-SVS		DF100-115-140 4 Stroke	2008-to date	UC128/1-SVS	1
E200 HO- E225-E250 2 Stroke V6	1995-to date	UC128/2-SVS		DF150-175 4 Stroke	2006-to date	UC128/1-SVS	1
E250HO- E300 2 Stroke V6		UC128/2-SVS		DF200-DF225-DF250-DF300		UC128/2-SVS	2
HONDA®				TOHATSU® NISSAN®			
BF115D	1998-2009	UC128/3-SVS	3	115-120-140 2 Stroke	2004-to date	UC128/2-SVS	2
BF115A	2009-to date	UC128/1-SVS	1	70-90-115 TLDI 4 Stroke	2004-to date	UC128/1-SVS	1
BF130A	1998-2005	UC128/3-SVS	3	SELVA®			
BF135-150 4 Stroke	2005-to date	UC128/1-SVS	1	80 Portofino/Tigershark 2 Stroke	1995-2008	UC128/2-SVS	2
BF150 V-TEC 4 Stroke	2008-to date	UC128/1-SVS	1	150 White Shark 2 Stroke	2001-2007	UC128/1-SVS	1
BF175-BF200-BF225-BF250 4 Stroke	2001-to date	UC128/1-SVS	1	100EFI Marlin -115 EFI	2000-to date	UC128/2-SVS	2
JOHNSON®				YAMAHA®			
BJ90-115-140 4 Stroke	2001-2007	UC128/1-SVS	1	115C-130B 2 Stroke	1998-2008	UC128/2-SVS	2
J90-115 V4 2 Stroke	1995-2007	UC128/2-SVS	2	150F-200F-250G 2 Stroke	1996-2007	UC128/2-SVS	2
J150-175 V6 2 Stroke	1995-2007	UC128/2-SVS	2	150 HPDI VMAX 2 Stroke	2000-2008	UC128/2-SVS	2
J200-225 V6 4 Stroke	2004-2007	UC128/2-SVS	2	175-200-225-250-300 HPDI VMAX 2St	2000-2008	UC128/2-SVS	2
MERCURY® MARINER®							
115-125-150 EFI 2 Stroke	1990-2007	UC128/1-SVS	1	F115-F150 EFI 4 Stroke	1999-2007	UC128/1-SVS	1
225-250 EFI 2 Stroke	2000-2007	UC128/1-SVS		F200-F225-F250 4 Stroke	2002-2007	UC128/2-SVS	2
135-150-175 Optimax	1999-to date	UC128/1-SVS		F115-F150	2004-to date	UC128/1-SVS	1
200-225-250 Optimax	1999-to date	UC128/1-SVS		F200-F225-F250-F300-F350 4Stroke	2006-to date	UC128/1-SVS	1
RACING 300 Optimax	1999-2011	UC128/1-SVS					
250 Saltwater EFI 4 Stroke	2007-2011	UC128/1-SVS					
135 Verado L4 4 Stroke	2004-2006	UC128/1-SVS					
150-175-200 Verado L4 4 Stroke	2004-to date	UC128/1-SVS					

***NOTE:** Suzuki engines built from 1998-2008 installing UC128/1-SVS cylinder requires optional KIT-SU (41954W).

Ultraflex® Masterdrive™ Power Assist Steering Kits



Effortless steering for the most demanding applications! The MasterDrive™ power assisted outboard steering system delivers fingertip control regardless of speed or torque conditions.

MasterDrive™ System Features:

- Eliminates Torque at the steering wheel
- Three different selectable levels of power give the boater the desired feeling on the wheel (Patented).
- Automatically reverts to manual mode in case of power loss.
- High efficiency, low Amp draw.
- Immediate control in any sea conditions through the system always running.
- Equipped with safety switch ON/OFF (Smart Button).
- Can be used on dual station installations.
- Suitable for use with autopilot.
- Low noise.
- Voltage: 12VDC.
- CE marked in conformity with ABYC P21, ISO 10592 safety standards.
- Ignition protected (SAE J-1171 and UNI EN 28846).



MasterDrive™ kit contains:

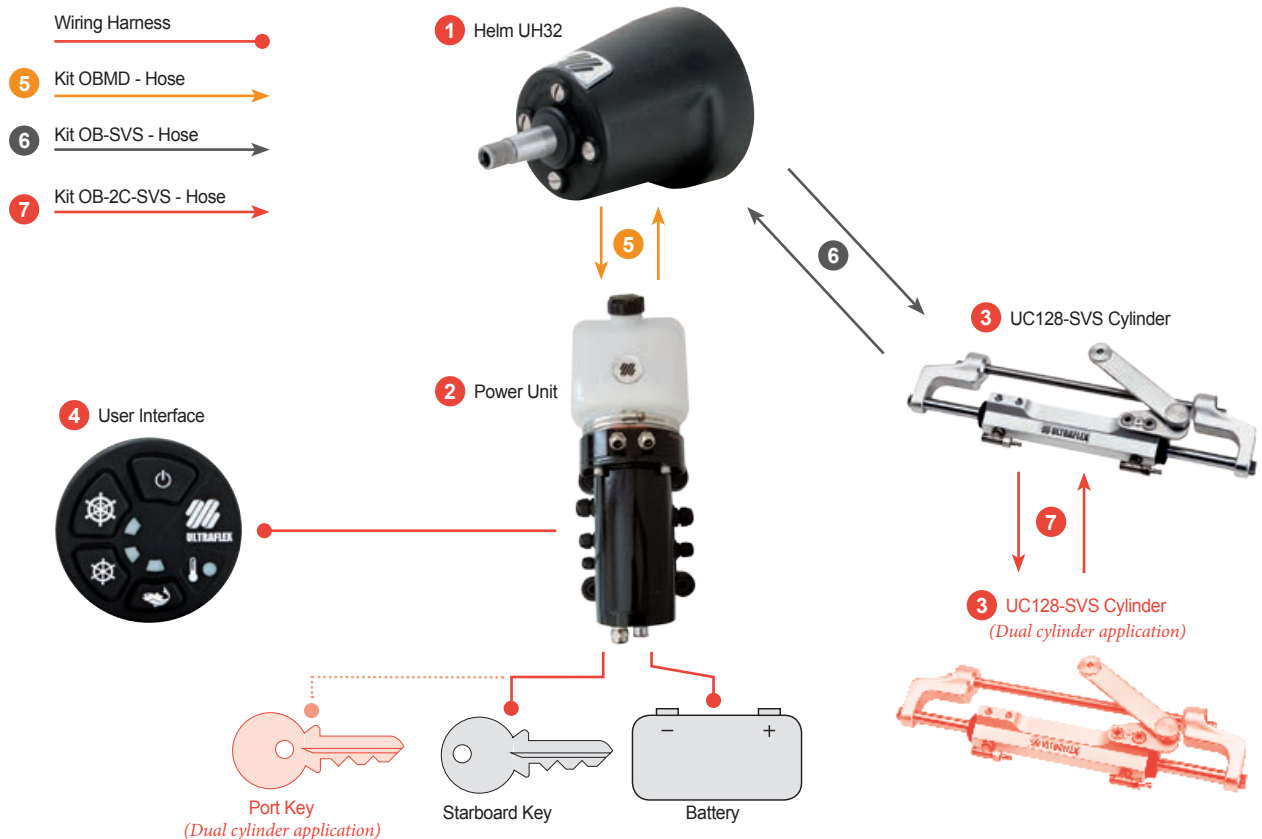
- 1x UH Front or tilt mount Master Helm
- 1x UPMD Power Unit, 15' (4,5 m) wiring harness included
- 1x UCMD User Interface
- 4x OL 150 bottles of hydraulic oil

Select Your Kit

Part No.	Description
JPW15710	MD UC32-F Masterdrive Front Mount Kit
JPW15712	MD UC40-F Masterdrive Front Mount Kit

The SilverSteer™ UC128-SVS cylinder Pg 284, the hydraulic hose kits Pg 283, the X66-40613 M tilt mechanism Pg 288, the tie bar Pg 290 and the steering wheels Pg 259 are to be ordered separately

Masterdrive™ Single and Dual Cylinder Application



Ultraflex® Masterdrive™ Dual Station Kits



Master Drive™ MD2 kit for dual station contains:

- 1x UHD Slave Helm Pump
- 1x UCMD User interface
- 1x U74162 - 23 ft (7 m) electric cable for the second station communications
- 1x 1L of Hydraulic Oil
- 1x U70957 - 3/8" straight fitting
- 2x U70831 - 3/8" T fittings
- Installation Manual

To order separately:

- 1 OBMD Hose Kit with length equal to the distance between the master helm pump and the slave helm pump
- 2 OB-SVS Hose Kit: select the desired length

For dual cylinder applications, order:

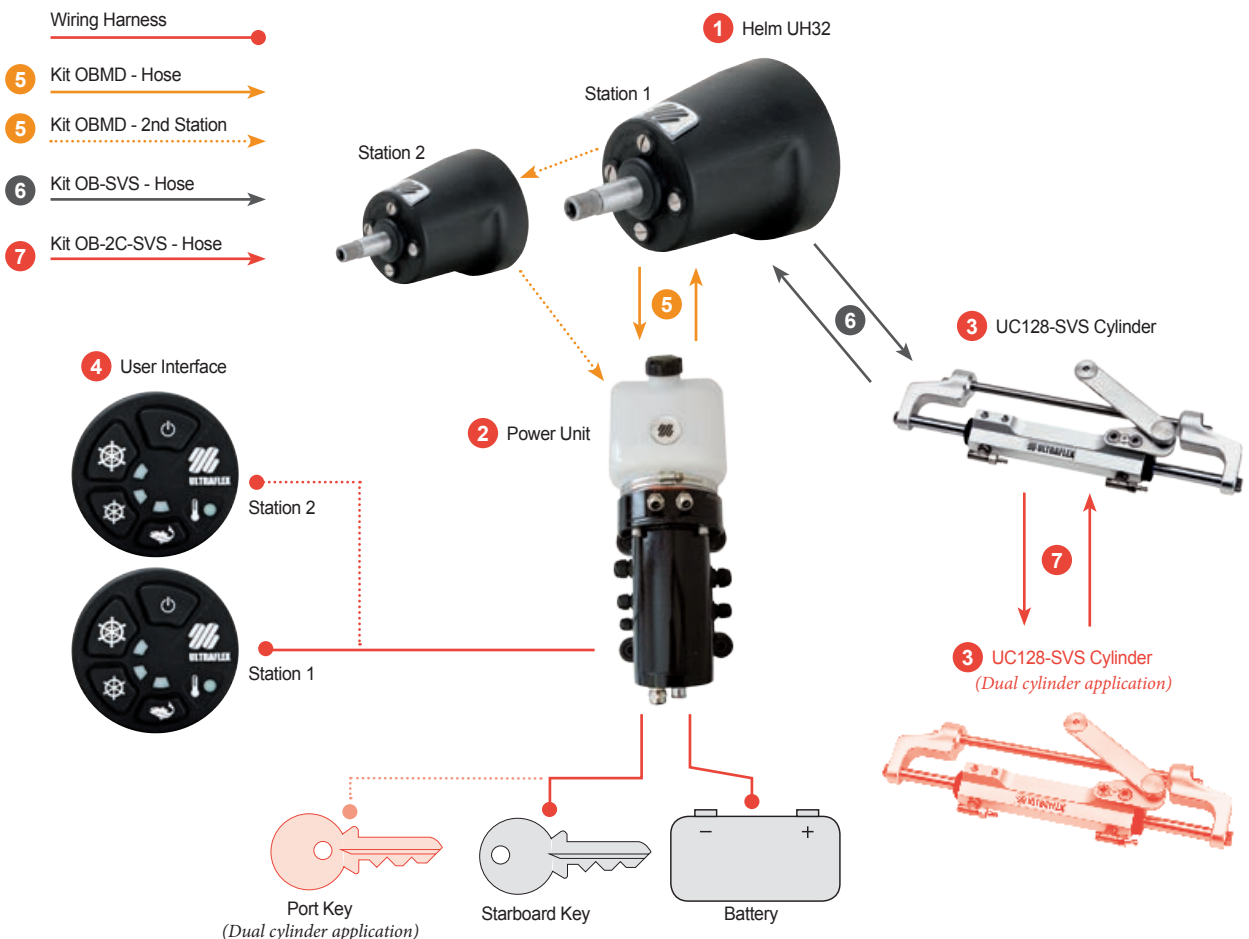
- 1 OB-2C-SVS Hose Kit: select the desired length.



Select Your Kit

Part No.	Description
JPW15719	MD2 UC32-F Masterdrive Second Station Kit
JPW15720	MD2 UC40-F Masterdrive Second Station Kit

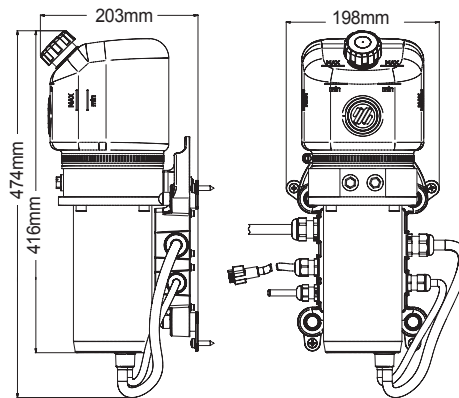
MasterDrive™ Single / Dual Cylinder and Single / Dual Station Application



MasterDrive™ UPMD - Power Unit

- Bulkhead or floor mount. 12VDC motor.
- 45° swiveling fittings for easy installation.
- Semi-transparent 0.5L tank gives easy oil level vision.
- Vented filler plug.
- Black galvanised motor case, which is salt water resistant and IP67 waterproof.
- 4.5m wiring harness included.
- Suitable for applications with auto-pilot.
- Ignition protected (SAE J-1171 and UNI EN 28846).

Part No.	Description
JPW18981	UPMD Masterdrive™ Helm Pump



MasterDrive™ UCMD - User Interface

- Three different power levels with light indicator and safety ON/OFF switch.
- Motor temperature visual indicator.
- Twin engine key selection included.
- Lighted panel for stand-by position.
- Plug-in wiring harness.
- Suitable for a second station installation.

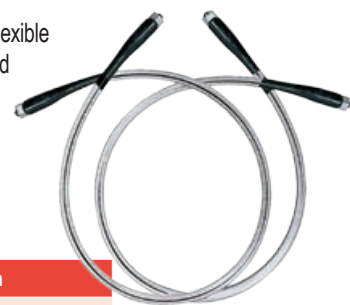


Part No.	Description
JPW18982	UCMD Masterdrive™ User Interface

Ultraflex® SilverSteer™ OB-2C-SVS Dual Cylinder Hose Kit

Two high pressure Kevlar™ stranded flexible hoses with pre-cripped fittings and bend restrictors on both ends.

- Recommended for use with all SilverSteer™ SVS cylinders.



Part No.	Description
JPW15701	OB-2C-SVS 0.7m (2.3ft) Hose Kit
JPW15702	OB-2C-SVS 0.9m (2.95ft) Hose Kit
JPW15703	OB-2C-SVS 1.2m (3.95ft) Hose Kit

Hose Kits sold in pairs.

Ultraflex® OBMD Hose Kit for Masterdrive™ Systems

Two high pressure flexible hoses complete with preassembled fittings and bend restrictors on one end.

- Recommended for use with all Ultraflex® Masterdrive Helm to Power Unit connection.

Part No.	Description	Part No.	Description
JPW15721	OBMD 1m (3.3ft) Hose Kit	JPW15727	OBMD 4m (13.2ft) Hose Kit
JPW15722	OBMD 1.5m (4.9ft) Hose Kit	JPW15728	OBMD 4.5m (14.8ft) Hose Kit
JPW15723	OBMD 2m (6.5ft) Hose Kit	JPW15729	OBMD 5m (16.4ft) Hose Kit
JPW15724	OBMD 2.5m (8.2ft) Hose Kit	JPW15730	OBMD 5.5m (18ft) Hose Kit
JPW15725	OBMD 3m (9.8ft) Hose Kit	JPW15731	OBMD 6m (19.7ft) Hose Kit
JPW15726	OBMD 3.5m (11.5ft) Hose Kit		

Hose Kits sold in pairs.



Ultraflex® OB-SVS Hose Kit for SilverSteer™ & Masterdrive™ Systems

Two high pressure Kevlar™ stranded flexible hoses with pre-cripped fittings and bend restrictors on one end.

- Recommended for use with all SilverSteer™ SVS cylinders to Masterdrive Helms with 1500psi relief valves.

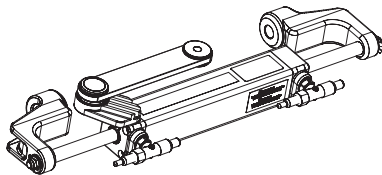
Part No.	Description	Part No.	Description
JPW15679	OB-SVS 1m (3.3ft) Hose Kit	JPW15687	OB-SVS 5m (16.4ft) Hose Kit
JPW15680	OB-SVS 1.5m (4.9ft) Hose Kit	JPW15688	OB-SVS 5.5m (18.3ft) Hose Kit
JPW15681	OB-SVS 2m (6.5ft) Hose Kit	JPW15689	OB-SVS 6m (19.7ft) Hose Kit
JPW15682	OB-SVS 2.5m (8.2ft) Hose Kit	JPW15690	OB-SVS 6.5m (21.3ft) Hose Kit
JPW15683	OB-SVS 3m (9.8ft) Hose Kit	JPW15691	OB-SVS 7m (22.9ft) Hose Kit
JPW15684	OB-SVS 3.5m (11.5ft) Hose Kit	JPW15692	OB-SVS 7.5m (24.6ft) Hose Kit
JPW15685	OB-SVS 4m (13.2ft) Hose Kit	JPW15693	OB-SVS 8m (26.2ft) Hose Kit
JPW15686	OB-SVS 4.5m (14.8ft) Hose Kit	JPW15694	OB-SVS 8.5m (27.9ft) Hose Kit

Hose Kits sold in pairs.

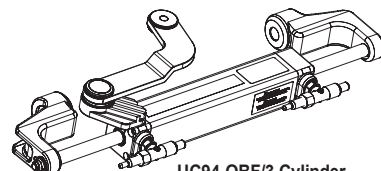


Ultraflex® UC94-OBF Front Mount Cylinder - Up to 150hp

UC94-OBF for use with outboard engines up to 150 hp. Balanced cylinder the number of turns lock-to-lock is equal port to starboard or vice versa. This cylinder is simple to install and fits almost every 2 and 4 stroke outboard engine in the market. Overall length cylinder length is 551mm. Not intended for racing applications. See the application guide (on page 277).



UC94-OBF/1 Cylinder



UC94-OBF/3 Cylinder

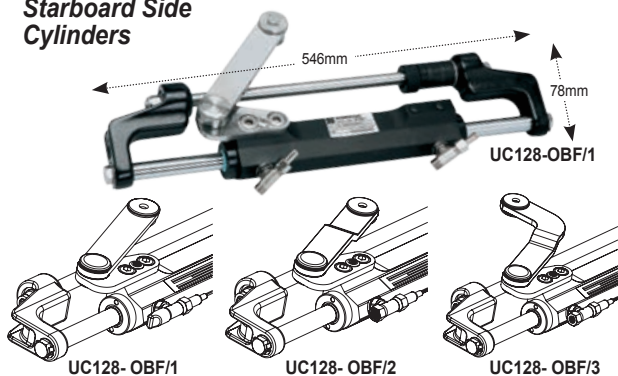
Part No.	Description
JPW18847/1	UC94-OBF/1 Cylinder
JPW18847/3	UC94-OBF/3 Cylinder

Ultraflex® UC128-OBF Front Mount Cylinder - Up to 300hp

UC128-OBF for use with outboard engines up to 300 hp. This cylinder is simple to install and fits almost every 2 and 4 stroke outboard engine in the market.

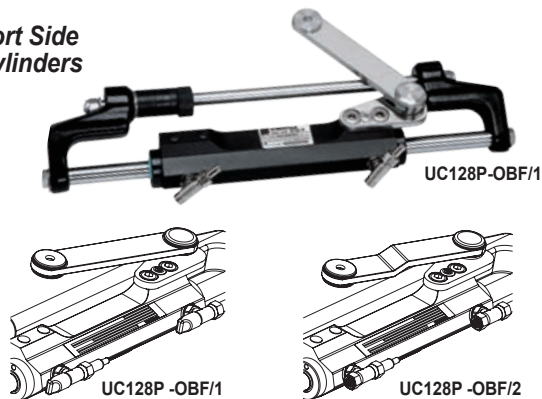
If the applications is dual engines, it is necessary to order a standard UC128-OBF cylinder (link arm attached to the starboard side of the cylinder) and a port UC128-OBF cylinder (link arm attached to the port side of the cylinder). Depending on the applications on the outboard engines, the UC128-OBF port cylinder is available in 2 versions. See the application guide on page (on page 278).

Starboard Side Cylinders



Part No.	Description
JPW18853	UC128-OBF/1 Starboard Side
JPW18854	UC128-OBF/2 Starboard Side
JPW18855	UC128-OBF/3 Starboard Side

Port Side Cylinders



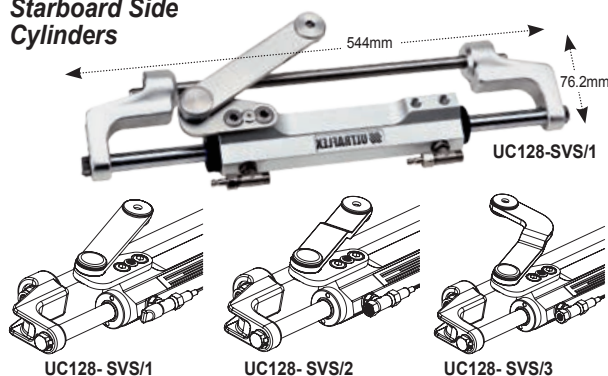
Part No.	Description
JPW18853/P	UC128P-OBF/1 Port Side
JPW18854/P	UC128P-OBF/2 Port Side

Ultraflex® UC128-SVS SilverSteer Front Mount Cylinder - Up to 350hp

UC128-SVS for use with outboard engines up to 350 hp This cylinder is simple to install and fits almost every 2 and 4 stroke outboard engine in the market.

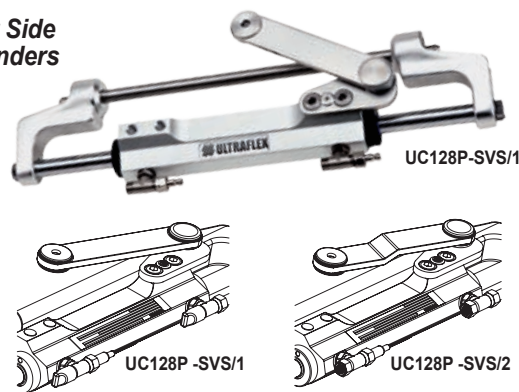
In the applications with dual engine it is necessary to order a standard UC128-SVS cylinder (link arm attached to the starboard side of the cylinder) and a port UC128-SVS cylinder (link arm attached to the port side of the cylinder). Depending on the applications on the outboard engines, the UC128-SVS port cylinder is available in 2 versions. See the application guide on page (on page 280).

Starboard Side Cylinders



Part No.	Description
JPW18976	UC128-SVS/1 Starboard Side
JPW18978	UC128-SVS/2 Starboard Side
JPW18980	UC128-SVS/3 Starboard Side

Port Side Cylinders



Part No.	Description
JPW18977	UC128P-SVS/1 Port Side
JPW18979	UC128P-SVS/2 Port Side

Ultraflex® UC68-OBS Side Mount Cylinder - Up to 150hp

- For outboard engines up to 150HP.
- Unbalanced: The number of turns lock-to-lock is not equal port to starboard and vice versa.
- UC68-OBS side mount cylinder features a patented turning nut for a fast and easy installation to the engine tube.
- Clearance required at the engine tube side is 340mm.
- Recommended for use where maximum boat speed does not exceed 40 knots.
- Suggested helm pumps UP20, (on page 287).



Part No.	Description	Volume	Output Force	Stroke
JPW18919	UC68-OBS Side Mount Cylinder	68 / 100cc - 4.1 / 6.1cu. in	185 / 270kg	203mm

Ultraflex® UC132-OBS Side Mount Cylinder - Up to 300hp

- For outboard and stern drive engines up to 300HP.
- Unbalanced: the number of turns lock-to-lock is not equal port to starboard and vice versa.
- UC132-OBS side mount cylinder features a patented turning nut for a fast and easy installation to the engine tube.
- Clearance required at the engine tube side is 375mm.
- Recommended use for where maximum boat speed do not exceed 45 knots.
- Suggested helm pumps UP25, UP28, UP33, UP39 & UP45 (on page 287).



Part No.	Description	Volume	Output Force	Stroke
JPW18918	UC132-OBS Side Mount Cylinder	132 / 163cc - 8 / 9.95cu. in	467 / 574kg	203mm

Ultraflex® UC133-IOB Sterndrive Cylinder

- For sterndrive engines only.
- Balanced: the number of turns lock-to-lock is equal port to starboard and vice versa.
- Maximum rudder torque 66kgm.
- Suggested helm pumps UP28 or UP33, (on page 287).



Part No.	Description	Volume	Torque	Output Force	Stroke
JPW18914	UC133-IOB Sterndrive Cylinder	132cc - 8cu. in	66kgm	464kg	203mm

Ultraflex® UC69-I | UC116-I | UC168-I | UC215-I - Inboard Cylinders

All these inboard cylinders are balanced, the number of turns lock to lock is equal to port to starboard or vice-versa.

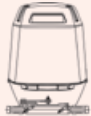


Specifications	UC69-I JPW18917	UC116-I JPW18925	UC168-I JPW18923	UC215-I JPW18924
Volume	69cc - 4.2 cubic inch	116cc - 7 cubic inch	168cc - 10.25 cubic inch	215cc - 13.12 cubic inch
Torque	32kg	58kg	87kg/m	111kg/m
Output Force	168kg	464kg	673kg	673kg
Inside Diameter	25mm	32mm	40mm	40mm
Stroke	150mm	178mm	178mm	228mm
9.5mm Fittings	For high pressure flex hose	For high pressure flex hose	For high pressure flex hose	For high pressure flex hose
Wheel Turns	3.5 turns (UP20)	4.6 turns (UP25)	6 turns (UP28)	6.5 turns (UP33)
		4.1 turns (UP28)	5.1 turns (UP33)	5.5 turns (UP39)


HYDRAULIC CYLINDERS ORDERING GUIDE

UC128-OBF Outboard Front Mount Hydraulic Cylinder


To suit "Hydraulic Helm Pumps" see p287-288

System	Application	Wheel Turns	Components	Model
 Single Engine Single Cylinder	Up to 300HP max.	4.8 (UP25) 4.3 (UP28)	Cylinder Helm Pump Hose Kit Oil Steering Wheel	UC128-OBF UP25 or UP28 KIT OB OL 150 See wheel options

For a second station add: 1x UP25 helm pump, 1x KIT OB-2S fitting kit, 1x KIT OB, 1x OL 150, 1x steering wheel.

 Dual Engine Single Cylinder	Up to 300HP max. (Non-counter rotating engine) Up to 500HP max. (Counter rotating engine)	4.8 (UP25) 4.3 (UP28)	Cylinder Helm Pump Hose Kit Oil Tie Bar Steering Wheel	UC128-OBF UP25 or UP28 KIT OB OL 150 A94R See wheel options
---	--	--------------------------	---	--


For a second station add: 1x UP25 or UP28 helm pumps, 1x KIT OB-2S fitting kit, 1x KIT OB, 1x OL 150, 1x steering wheel.

 Dual Engine Dual Cylinder	Up to 500HP max. (Non-counter rotating engine) Up to 600HP max. (Counter rotating engine)	6.1 (UP39) 5.3 (UP45)	Cylinder Cylinder Port Helm Pump Hose Kit Oil Tie Bar Steering Wheel Connection Kit	UC128-OBF UC128P-OBF UP39 or UP45 KIT OB OL 150 A90 See wheel options KIT OB-2C
---	--	--------------------------	--	--


For a second station add: 1x UP39 or UP45 helm pump, 1x KIT OB-2S fitting kit, 1x KIT OB, 2x T Fittings, 1x OL 150, 1x steering wheel.

UC128-SVS SilverSteer Outboard Front Mount Hydraulic Cylinders


* Note: Helm Pumps available in tilt, front & rear mount options.

System	Application	Wheel Turns	Components	Model
 Single Engine Single Cylinder	Up to 350HP max.	4.3 (UP28-SVS) 3.6 (UP33-SVS)	Cylinder Helm Pump * Hose Oil Steering Wheel	UC128-SVS UP28-SVS * UP33-SVS * See hose options OIL 15 See wheel options

For a second station add: 1x UP28-SVS or UP33-SVS, 1x KIT-OB-2S fitting kit, 1x Hose, 1x OIL 15, 1x Steering Wheel.

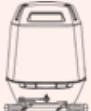
 Dual Engine Single Cylinder	Up to 350HP max. (Non-counter rotating engine) Up to 600HP max. (Counter rotating engine)	4.3 (UP28-SVS) 3.6 (UP33-SVS)	Cylinder Helm Pump * Hose Oil Tie Bar Steering Wheel	UC128-SVS UP28-SVS * UP33-SVS * See hose options OIL 15 A94 or A88 See wheel options
---	--	----------------------------------	---	--

For a second station add: 1xUP28-SVS or UP33-SVS, 1x Hose, 2x OIL 15, 1x Steering Wheel, 1x KIT-OB-2S fitting kit.

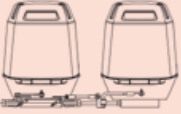
 Dual Engine Dual Cylinder	Up to 600HP max. (Non-counter rotating engine) Up to 700HP max. (Counter rotating engine)	6.1 (UP39-SVS)	Cylinder Cylinder Port Helm Pump * Hose Oil Tie Bar Connection Kit Steering Wheel	UC128-SVS UC128P-SVS UP39-SVS * See hose options OIL 15 A90 KIT OB-2C See wheel options
---	--	-------------------	--	--

For a second station add: 1x UP39-SVS, 1x Hose, 1x OIL 15, 1x Steering Wheel, 1x KIT-OB-2S fitting kit, 2x TF38 fittings.


UC132-OBS Outboard Side Mount Cylinder

System	Application	Wheel Turns	Components	Model
 Single Engine Single Cylinder	Up to 300HP max	5.3 / 6.5 (UP25) 4.7 / 5.8 (UP28)	Cylinder Helm Pump Hose Kit Oil Steering Wheel	UC132-OBS UP25 or UP28 KIT OB OL 150 See wheel options

For a second station add: 1x UP25 or UP28 helm pump, 1x KIT OB-2S fitting kit, 1x KIT OB, 1x OL 150, 1x steering wheel.

 Dual Engine Single Cylinder	Up to 300HP max. (Non-counter rotating engine) Up to 450HP max. (Counter rotating engine)	5.3 / 6.5 (UP25) 4.7 / 5.8 (UP28)	Cylinder Helm Pump Hose Kit Oil Tie Bar Steering Wheel	UC132-OBS UP25 or UP28 KIT OB OL 150 A88 or A92 See wheel options
---	--	--	---	--

For a second station add: 1x UP25 or UP28 helm pump, 1x KIT OB-2S fitting kit, 1x KIT OB, 1x OL 150, 1x steering wheel.

 Dual Engine Dual Cylinder	Up to 500HP max. (Non-counter rotating engine) Up to 600HP max. (Counter rotating engine)	6.7 / 8.3 (UP39) 5.8 / 7.3 (UP45)	Cylinder Helm Pump Hose Kit Oil Tie Bar Steering Wheel Connection Kit	UC132-OBS UP39 or UP45 KIT OB OL 150 A88 or A92 See wheel options KIT OB-2C
---	--	--	---	---

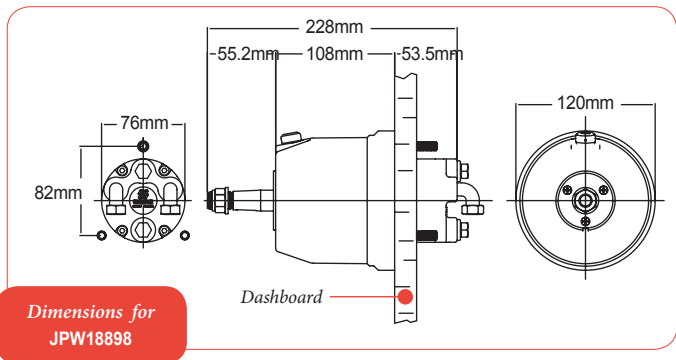
For a second station add: 1xUP39 or UP45 helm pump, 1x KIT OB-2S fitting kit, 2x T Fittings, 1x OL 150, 1x steering wheel.

Ultraflex® Front Mount Helms Pumps

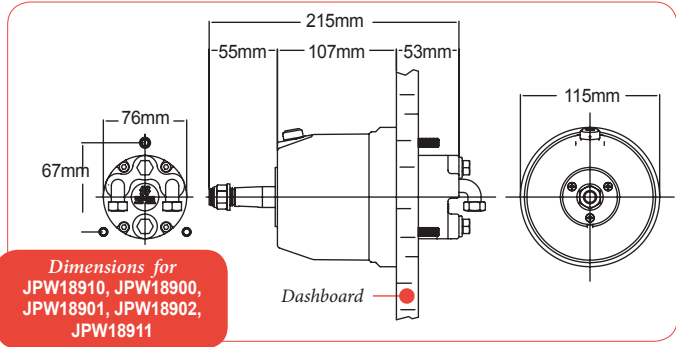
- Compact design.
- Ball bearing piston race.
- Built-in lock valve for positive rudder lock.
- Integral relief valve for over-pressure protection.
- 3/4" tapered anodised aluminium shaft UP20F helm.
- 3/4" tapered stainless steel shaft for UP25F, UP28F, UP33F, UP39F & UP45F helms.
- Easily reachable lock valve & shaft seal for replacement.
- Convenient front of dash fit.
- 1/4" NPT fitting for 3/8" tube.
- Complete with elbow fittings.



JPW18898



Dimensions for JPW18898



Dimensions for JPW18910, JPW18900, JPW18901, JPW18902, JPW18911

Part No.	Model	Weight	Max Wheel Dia.	Relief Valve Setting	No. of Pistons	Displacement/Revolutions
JPW18898	UP20F	3.6kg	508mm	70bar-1000psi	5	20cc-1.2cu.in
JPW18910	UP25F	5kg	710mm	70bar-1000psi	5	25cc-1.5cu.in
JPW18900	UP28F	5kg	710mm	70bar-1000psi	5	28cc-1.7cu.in
JPW18901	UP33F	5kg	710mm	70bar-1000psi	7	33cc-2.0cu.in
JPW18902	UP39F	5kg	710mm	70bar-1000psi	7	39cc-2.4cu.in
JPW18911	UP45F	5kg	710mm	70bar-1000psi	7	45cc-2.7cu.in

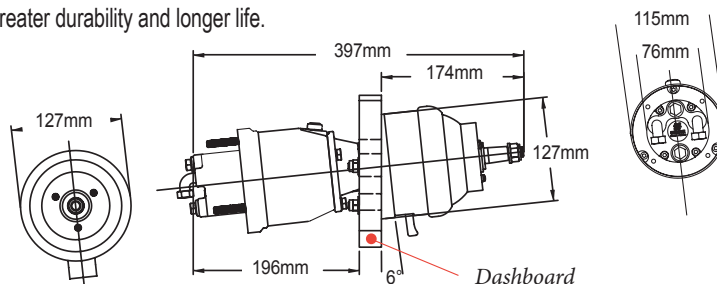


JPW18910, JPW18900, JPW18901, JPW18902, JPW18911

Ultraflex® X52 Tilt Mount Helm Pumps

- Compact design available in five different displacement sizes.
- Ball bearing piston race.
- Built-in lock valve for positive rudder lock.
- Integral relief valve for over-pressure protection.
- Stainless steel shaft.
- Easily accessible lock valve and shaft seal for replacement.
- Cast iron rotor for greater durability and longer life.
- Includes elbow fittings (for 3/8" tube).
- UP45T helm pumps are ideal for dual cylinder, dual engine applications.
- X52 tilt mechanism has a tilt range of 48° and five locking positions. Suitable on for use with standard Ultraflex® hydraulic tilt mount helm, mechanical rotary helms and rack and pinion steering helms. On high performance SilverSteer systems use X70-SVS tilt mechanism.

UP25T, UP28T, UP33T, UP39T, UP45T dimensions



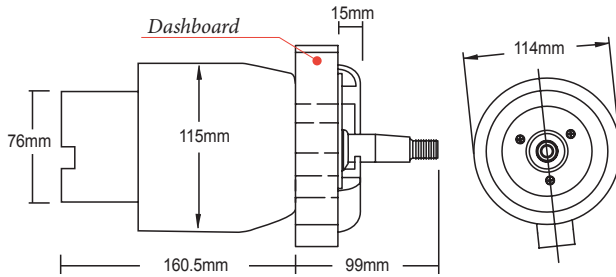
Part No.	Model	Weight	Max Wheel Dia.	Relief Valve Setting	No. of Pistons	Displacement/Revolutions
JPW18945	UP25T	5kg	710mm	70bar-1000psi	5	25cc-1.5cu.in
JPW18903	UP28T	5kg	710mm	70bar-1000psi	5	28cc-1.7cu.in
JPW18904	UP33T	5kg	710mm	70bar-1000psi	7	33cc-2.0cu.in
JPW18905	UP39T	5kg	710mm	70bar-1000psi	7	39cc-2.4cu.in
JPW18920	UP45T	5kg	710mm	70bar-1000psi	7	45cc-2.7cu.in



Ultraflex® Rear Mount Helm Pumps

- Compact design available in four different displacement sizes.
- Ball bearing piston race.
- Built-in lock valve for positive rudder lock.
- Integral relief for over-pressure protection.
- 3/4" tapered stainless steel shaft.
- Easily accessible lock valve and shaft seal for replacement.
- Cast iron cylinder rotor for greater durability and longer life.
- Complete with elbow fittings for 3/8" tube and white bezel.

Note: Kit F (optional but recommended) Remote Filler Kit Adaptor not included.



JPW18907, JPW18908,
JPW18909, JPW18912



U40894
X68 Chrome Bezel to suit the range of rear mount helms

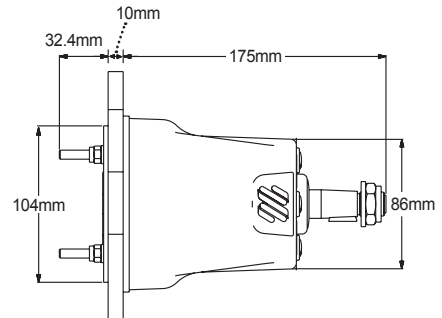
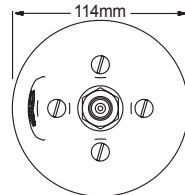


'Kit F'
U39664 - Ultraflex® Remote Filler Kit Adaptor
The remote filler adaptor is used to aid the mess free transfer of hydraulic oil into the helm pumps.

Part No.	Model	Weight	Max Wheel Dia.	Relief Valve Setting	No. of Pistons	Displacement/Revolutions
JPW18907	UP28R	5kg	710mm	70bar-1000psi	5	28cc-1.7cu.in
JPW18908	UP33R	5kg	710mm	70bar-1000psi	7	33cc-2.0cu.in
JPW18909	UP39R	5kg	710mm	70bar-1000psi	7	39cc-2.4cu.in
JPW18912	UP45R	5kg	710mm	70bar-1000psi	7	45cc-2.7cu.in

MasterDrive UH/UHD Power Assisted Helm Pumps

- Available in two different displacement sizes: 32cc and 40cc.
- UH = Front Mount & Tilt Mount Helm Pump versions.
- UHD = Second Station 'Slave' Helm Pump versions.
- Built-in relief valve.
- 3/4" tapered shaft.
- Corrosion resistant painted body.
- Tilt Mount version suitable for use with X66 tilt mechanism.



Part No.	Model	Mounting	Max Wheel Dia.	Application	No. of Stations	Displacement/Revolutions
JPW18970	UH32-F	Front Mount	406mm	Single Cylinder	1	32cc - 1.95cu.in
JPW18968	UHD32-F	Front Mount	406mm	Single Cylinder	2	32cc - 1.95cu.in
JPW18971	UH32-T	with X66 Tilt	406mm	Single Cylinder	1	32cc - 1.95cu.in
JPW18972	UH40-F	Front Mount	406mm	Dual Cylinder	1	40cc - 2.44cu.in
JPW18969	UHD40-F	Front Mount	406mm	Dual Cylinder	2	40cc - 2.44cu.in
JPW18974	UH40-T	with X66 Tilt	406mm	Dual Cylinder	1	40cc - 2.44cu.in



Ultraflex® X52 Tilt Mechanism

Fits standard Ultraflex® tilt mount rotary and rack & pinion steering helms; and standard Ultraflex® tilt mount hydraulic pumps.

- Allows a tilt range of 48° and five locking positions.



Part No.
JPW18800N

Ultraflex® X66 Tilt Mechanism for MasterDrive™

The X66 tilt mechanism for MasterDrive™ tilt mount helms.

- Tilt range of 48° and five locking positions.



Part No.
JPW18975

Ultraflex® New X72 Tilt Mechanism

The new X72 tilt mechanism has a range of 60° and five locking positions. Suitable for use with standard Ultraflex® hydraulic front mount helms as well as SilverSteer™ SVS front mount helm pumps.



Part No.
U43140

Semi Rigid Hydraulic Nylon Tubing

- Nylon tubing cut per metre for required lengths.
- Working pressure 625psi
- Not recommended in application where total tubing run exceeds 30m

Each hose requires:
2x brass hose connectors



U71004 - Brass Nut
U71013 - Nickel Plated Nut



3/8" Ridge Tube

Part No.	Hose O.D.	Connectors
U70701	10mm (3/8")	U71004 or U71013

Additional Station Kit - OB-2S

- Fitting kit for second steering station or an autopilot installation.
- It includes all necessary fittings and 8m (26.3ft) of 3/8" nylon tube for the compensating line.



Part No.	Description
U39539	Kit OB-2S - Additional Station Kit

Ultraflex® OB-M Hydraulic Hose Kits For Custom Installations

These pre-assembled hose kits are available in two standard lengths that can be cut to fit the required custom length.

- Two 5/16" I.D. hose kits with pre-crimped Brass fittings at one end.
- Supplied with 2 QuickFit Brass Connectors and 2 Bend Restrictors.
- Simple and quick to install.
- Recommended for use with all Ultraflex® standard helms with 1000 psi (70 Bar) relief valves.

Note: Not recommended for SilverSteer or Masterdrive.



Part No.	Description
JPW18020	Kit OB/M 6m (19.7ft) Hose Kit (Pr)
JPW18021	Kit OB/M 9m (29.5ft) Hose Kit (Pr)

Ultraflex® OB Hydraulic High Flex Hose

5/16" High flex hose sold per metre with no fitting for custom installations.

- Recommended for use with all Ultraflex® standard helms with 1000psi relief
- Highly flexible, high flow hose.

Each hose requires:

- Brass connector (U40849).
- Bend restrictor (U41822).



U41822



U40849



Part No.	Hose O.D.	Connectors	Bend Restrictor
U41305	5/16"	U40849	U41822

Ultraflex® OB Hydraulic High Flex Hose Kits

Supplied with two (5/16") 8mm I.D. hose kits with pre-crimped brass fittings on both ends & bend restrictors on one end.

- Simple and quick to install.
- Recommended for use with all Ultraflex® standard helms with 1000psi relief
- Highly flexible, high flow hose. valves.



Bulkhead Kit for Dual Hose Refer to page 291.



Part No.	Description	Part No.	Description
JPW18000	OB 3m (9.8ft) Hose Kit	JPW18007	OB 6.5m (21.3ft) Hose Kit
JPW18001	OB 3.5m (11.5ft) Hose Kit	JPW18008	OB 7m (22.9ft) Hose Kit
JPW18002	OB 4m (13.2ft) Hose Kit	JPW18009	OB 7.5m (24.6ft) Hose Kit
JPW18003	OB 4.5m (14.8ft) Hose Kit	JPW18010	OB 8m (26.3ft) Hose Kit
JPW18004	OB 5m (16.4ft) Hose Kit	JPW18011	OB 8.5m (27.8ft) Hose Kit
JPW18005	OB 5.5m (18ft) Hose Kit	JPW18012	OB 9m (29.5ft) Hose Kit
JPW18006	OB 6m (19.7ft) Hose Kit		

Ultraflex® OB-2C Dual Engine/Dual Cylinder Hydraulic Hose Kits

Designed to fit from the splashwell/bulkhead apter to the cylinder or link two or more cylinders in two or more outboards applications.

- Two high pressure flexible hoses with brass fittings on both ends.
- Recommended for use with the R9 bulkhead kit for dual hose applications.

Note: Not recommended for use with SilverSteer Series cylinders.



R9 - bulkhead kit for dual hose. Refer to page 291.

Part No.	Description
JPW18030	OB-2C 0.7m (2.3ft) Hose Kit (Pr)
JPW18031	OB-2C 0.9m (2.95ft) Hose Kit (Pr)
JPW18032	OB-2C 1.2m (3.95ft) Hose Kit (Pr)

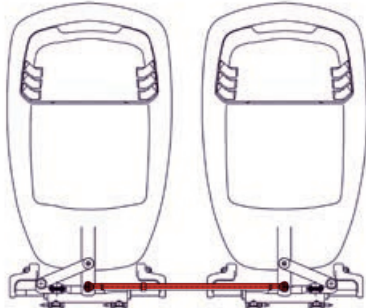
A88 Tie Bar For Twin Outboards



These universal tie bars are suitable for all outboard applications (racing excepted) with single or dual cylinder.

- Electro polished stainless steel ball joint.
- All stainless steel components.
- Applicable to twin outboard engines using hydraulic/mechanical steering.
- Adjustable from 650mm to 950mm engine centres.

Note: On those applications where the clearance between engine tiller arms and cowling is not sufficient for the use of the A88, the A92 tie bar is recommended.



Part No.
JPW18050

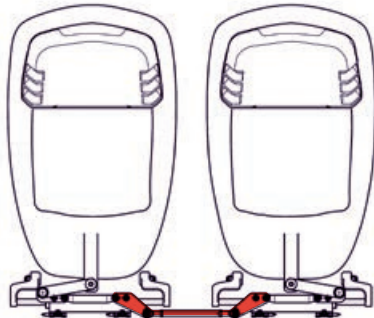
A90 Tie Bar For Twin Outboards



Suitable for applications with dual front mount cylinder (UC128-OBF or UC128-SVS).

- In applications with single cylinder use A94 tie bar.
- Electro polished stainless steel ball joints.
- All stainless steel components
- Allows to tilt the engines independently.
- Applicable to engine centres variable from 660mm to 950mm.

Note: For applications with dual UC128-OBF (or UC128-SVS) cylinder it's necessary to order a standard UC128-OBF (or UC128-SVS) cylinder (link arm attached to the starboard side of the cylinder) and a UC128P-OBF (or UC128P-SVS) port cylinder (link arm attached to the port side of the cylinder).



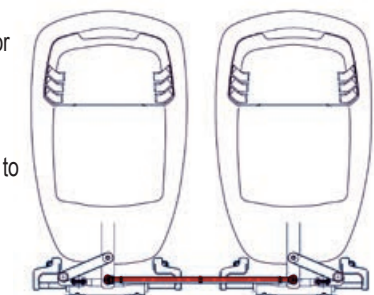
Part No.
JPW18051

A92 Tie Bar For Twin Outboards



Easily adjustable before or after installation.

- All stainless steel components.
- Adjustable from 550mm to 700mm engine centres.



Part No.
JPW18052

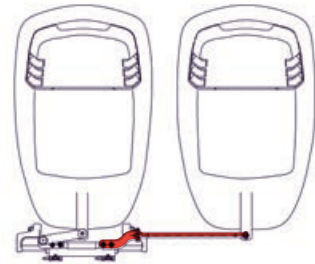
A94 Tie Bar For Twin Outboards



This heavy duty twin engine/single cylinder tie bar kit for use with (UC128-OBF or UC128-SVS) outboard cylinders. In applications with dual cylinders use A90 tie bar.

- Allows to tilt the engines independently.
- Stainless steel components.
- Electro polished stainless steel ball joints.
- Not recommended for applications exceeding 500HP.
- Adjustable from 660mm to 950mm engine centres.

Note: As the tiller arm position varies from engine to engine and the distance between two engines is unpredictable, interferences may occur while tilting.



Part No.
JPW18053

A94 Tie Bar Applications	
Engine	Power
Mercury®	135-150-175 Optimax 2 Stroke 200-225 Optimax 2 Stroke 250 PRO XS 135-150-175 Verado 4 Stroke 200 Verado 4 Stroke
Honda®	115-135-150 OHC BF 200 SOHC BF 225 A6
Yamaha®	F115-150-200-225-250 4 Stroke
Evinrude®	E115-130-150-175-200 V6 E200-225-250-300
Suzuki®	DF70-80-90 4 Stroke DF100-115-140-150-175 4 Stroke DF200-250-300 DOHC 4 Stroke

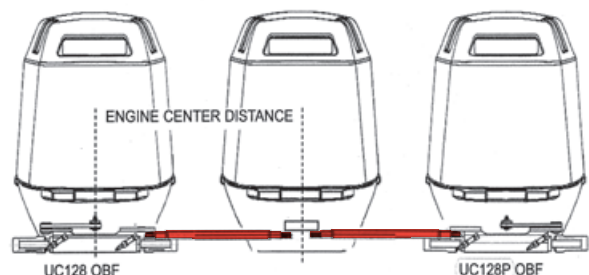
A93 Tie Bar For Triple Outboards



Suitable twin front mount cylinder (UC128-OBF or UC128-SVS).

- Electropolished and passivated stainless steel tie bars.
- Easy to install, allow for independent trimming of engines with minimal effect on engine alignment
- Specify engine type and required length on ordering

Note: As the tiller arm position varies on each engine and the distance between two engines is not predictable, unexpected interferences may occur while tilting. For more information contact your sales rep.



Part No.	Description
JPW18054	Tie Bar 606mm
JPW18055	Tie Bar 685mm
JPW18056	Tie Bar 711mm
JPW18057	Tie Bar 762mm

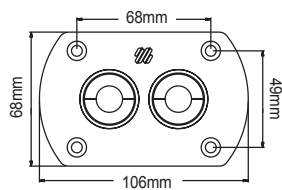
R8 Through Outboard Well Bulkhead Hose Kits

Connection flange available with a chrome, black or white finish.

- Suitable for fibreglass, polyethylene and aluminum boats.
- Reduces hose kinking.

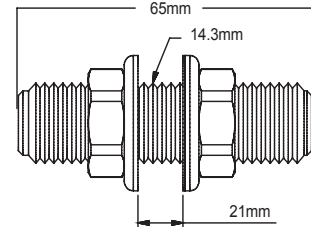


Part No.	Type	Colour
U41299	R8B - For Dual Hose	Black
U41300	R8W - For Dual Hose	White
U41301	R8CH - For Dual Hose	Chrome



3/4" Bulkhead Fitting Kit

R7 kit includes two assemblies as illustrated per kit.



Part No.
U40819

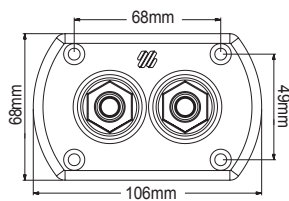
R9 Through Outboard Well Bulkhead Hose Kits

Suitable for fibreglass, polyethylene and aluminium boats.

- Reduces risk of corrosion on aluminium boats caused from chrome fittings touching aluminium and paintwork.
- Reduces installation time.
- 3/8" BSP to suit all standard hydraulic nut & olives.
- Chrome plated brass threaded fittings, ABS plastic flange supplied with 4x stainless steel counter sunk self tapping screws.



Part No.	Type	Colour
U41302	R9B - For Dual Hose	Black
U41303	R9W - For Dual Hose	White
U41304	R9CH - For Dual Hose	Chrome



Adjustable Bleed T For Hydraulic Cylinder - 3/8"

Suits all cylinders except UC94-OBF with serial number prior to 30 1156 000001.



Part No.	Description
U40868	3/8" Adjustable Bleed T for Cylinder

Portable Hydraulic Purging Kit

- Reduce time and simplify purging hydraulic systems with the self contained and portable BubbleBlaster.
- Attach the hoses using the quick connect fittings to the helm and cylinder and with the push of a button, the BubbleBlaster begins cycling oil throughout the entire system until free of air.
- The system features a ZeroEmulsion pump, a 4 quart capacity reservoir and is compatible with competing helms and cylinders.

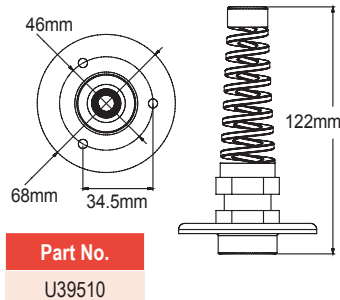


Part No.	Type
U41666	Purging Bubble Blaster
U41682	Extension Kit to suit U41666

Strain Relief Hose Kit

R5 kit distributes strain from bends in hose.

- It features a water tight gripper fitting and a bulk head fitting flange for hose protection.



Part No.
U39510



Hydraulic Hose Connectors - 3/8" Hose



Part No.	Description
U39518	3/8" O.D. Additional Station Fitting Kit
U39471	Straight connector fitting suits helm & 3/8" O.D. tube, includes olive.
U39472	Elbow connector fitting suits helm and 3/8" O.D. tube, includes olive
U39502	Tee fitting suits 3/8" O.D. tube, includes olive
U39503	Bleed Tee suits cylinders & 3/8" O.D. tube Includes olive

Hydraulic Oil

- Hydraulic oil: ISO VG 15
- Viscosity: 15 cst at 40 °C
- Viscosity index: >150
- Solidification point: <- 30 °C
- Contamination according to NAS1638 ≤ 8



Part No.	Description
U70704	Hydraulic Oil (15 grade) - 1ltr

Remote Filler Kit

- For use with rear mounted helms.



Part No.	Description
U39664	Remote Fill Adaptor - Kit F

Ultraflex Hydraulic Cylinder Seal Kits



Part No.	Description
SKAE2069	UC128-OBF Cylinder Seals Kit
SKAE2075	UC94-OBF Cylinder Seals Kit
SAKE2485	UC132-OBS Cylinder Seals Kit

Hydraulic Hose Connectors - 5/16" Hose



Part No.	Description	Sold As
U41822	Hose Bend Restrictors for use with High Flex Hose	Pair
U40849	Brass fittings for use with 5/16" High Flex Hose	Each

Hydraulic Hose Nut & Olive - 3/8"

- Suits Hydraulic Nylon tubing (U70701).



Part No.	Description	Suits Tube Ø (in) OD
U71004	Brass Nut & Olive	3/8"
U71013	Nickel Plated Nut & Olive	3/8"

Hydraulic Fluid Link Valve - 3/8"

Fluid link valve for twin engine/twin cylinder applications where a mechanical tie bar is not feasible.

- Engine centres must be at least 38" wide as engine can periodically misalign.
- Connect using standard Kit-OB or Kit-OB/R5 hoses.



Part No.
U42829

Filler Plug

Replacement Ultraflex hydraulic helm pump filler plugs.



Part No.	Description
U39469	Vented Filler Plug
U39470	Non-Vented Filler Plug

ENGINE CONTROLS 19



ENGINE CONTROL CABLES.....294 - 295

ENGINE CONTROLS..... 296 - 299

Control Connection Kits.....300 - 301

ELECTRONIC CONTROL SYSTEM
POWER A MARK II™302 - 305

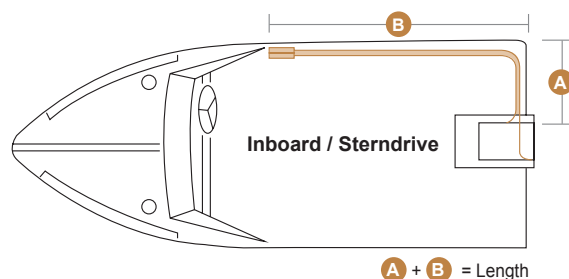
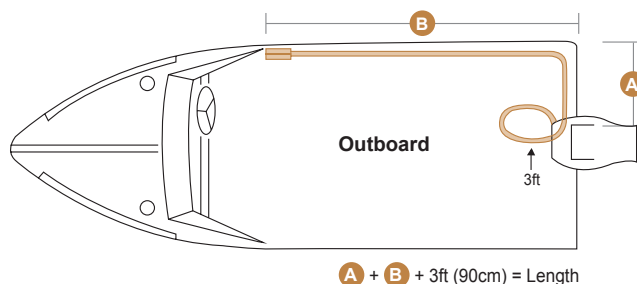
HOW TO MEASURE FOR CONTROL CABLE INSTALLATION

For new installation, measure A and B distance from the control along an unobstructed cable routing to clutch and/or throttle connection. Round this dimension up to the next whole foot (304.8mm) and you will have your cable length. We recommend that the cable bends have a minimum radius of about 200mm. For outboard engine installations, add three feet to the obtained length in order to allow for the engine movement.

To determine the required length of the REPLACEMENT CABLE, measure from tip to tip. When ordering, specify the cable length in feet, rounding up to the whole foot (304.8mm). If any kit is required to complete cable connection, consult accessories section.

Selection Of Engine Control Cables

	Engines	Engine Control Cables
OUTBOARD	Mercury and Gen II Controls	C36, MACH™ 36
	Mercury® Mariner over 50HP	C5, MACH™ 5
	Mariner up to 50hp	C16
	Force Selva Yamaha Suzuki Tohatsu Honda Nissan	C2, C8, MACH™ Zero
	Johnson, Evinrude, BRP	After 1979 to date C14, MACH™ 14
STERNDRIVE	Mer cruiser and Gen II Controls	C36, MACH™ 36
	Mer cruiser	C5, MACH™ 5
	OMC, BRP	After 1979 to date C14, MACH™ 14
	Volvo Penta, Yanmar Volkswagen	C2, C8, MACH™ Zero, C22
INBOARD		C2, C8, MACH™ Zero, C22



Engine Control Cables



Cable Length		C8	Mach™ Zero Performance	C5	Mach™ 5 Performance	C14	Mach™ 14 Performance	C16	Mach™ 36 Merc Gen II Performance
6ft	1.83m	JPW18106	-	-	-	-	-	-	-
7ft	2.13m	JPW18107	-	-	-	-	-	-	-
8ft	2.44m	JPW18108	-	-	-	-	-	-	-
9ft	2.74m	JPW18109	-	JPW18509	-	JPW18409	-	-	-
10ft	3.05m	JPW18110	JPW18210	JPW18510	JPW18654	JPW18410	-	-	-
11ft	3.35m	JPW18111	JPW18211	JPW18511	JPW18655	JPW18411	-	-	JPW18631
12ft	3.66m	JPW18112	JPW18212	JPW18512	JPW18656	JPW18412	JPW18432	JPW18612	JPW18632
13ft	3.96m	JPW18113	JPW18213	JPW18513	JPW18657	JPW18413	JPW18433	JPW18613	JPW18633
14ft	4.27m	JPW18114	JPW18214	JPW18514	JPW18658	JPW18414	JPW18434	JPW18614	JPW18634
15ft	4.57m	JPW18115	JPW18215	JPW18515	JPW18659	JPW18415	JPW18435	JPW18615	JPW18635
16ft	4.88m	JPW18116	JPW18216	JPW18516	JPW18660	JPW18416	JPW18436	JPW18616	JPW18636
17ft	5.18m	JPW18117	JPW18217	JPW18517	JPW18661	JPW18417	JPW18437	JPW18617	JPW18637
18ft	5.49m	JPW18118	JPW18218	JPW18518	JPW18662	JPW18418	JPW18438	JPW18618	JPW18638
19ft	5.76m	JPW18119	JPW18219	JPW18519	JPW18663	JPW18419	JPW18439	JPW18619	JPW18639
20ft	6.1m	JPW18120	JPW18220	JPW18520	JPW18664	JPW18420	JPW18440	JPW18620	JPW18640
21ft	6.4m	JPW18121	JPW18221	JPW18521	JPW18665	-	JPW18441	-	JPW18641
22ft	6.71m	JPW18122	JPW18222	JPW18522	JPW18666	JPW18422	JPW18442	-	JPW18642
23ft	7.01m	JPW18123	JPW18223	JPW18523	JPW18667	-	-	-	JPW18643
24ft	7.32m	JPW18124	JPW18224	JPW18524	JPW18668	-	-	-	JPW18644
25ft	7.62m	JPW18125	JPW18225	-	JPW18669	-	-	-	JPW18645
26ft	7.92m	JPW18126	JPW18226	-	JPW18670	-	-	-	JPW18646
27ft	8.22m	-	JPW18227	-	-	-	-	-	JPW18647
28ft	8.61m	-	JPW18228	-	-	-	-	-	JPW18648
29ft	8.84m	-	-	-	-	-	-	-	-
30ft	9.15m	-	JPW18230	-	-	-	-	-	-
31ft	9.45m	-	-	-	-	-	-	-	-
32ft	9.75m	-	JPW18232	-	-	-	-	-	-
33ft	10.05m	-	JPW18233	-	-	-	-	-	-
34ft	10.36m	-	JPW18234	-	-	-	-	-	-
35ft	10.67m	-	-	-	-	-	-	-	-
36ft	10.97m	-	JPW18236	-	-	-	-	-	-
37ft	11.27m	-	-	-	-	-	-	-	-
38ft	11.58m	-	JPW18238	-	-	-	-	-	-
39ft	11.89m	-	-	-	-	-	-	-	-
40ft	12.19m	-	JPW18240	-	-	-	-	-	-
41ft	12.49m	-	-	-	-	-	-	-	-
42ft	12.8m	-	JPW18242	-	-	-	-	-	-
43ft	13.1m	-	-	-	-	-	-	-	-
44ft	13.41m	-	JPW18244	-	-	-	-	-	-

C5 Engine Control Cables

The Ultraflex® C5 Control Cable is a high quality cable featuring stainless steel ends. For use with inboard, sterndrive and outboard marine engines (ideally Mercury® and MerCruiser®).

- High efficiency for smooth operation, and high flexibility for reduced bend radius.
- Stainless steel cable end fittings, with high-resistance black outer jacket.
- Ideal for long complex cable routing.
- Maintenance-free.
- Stroke: 95mm



C8 Engine Control Cables

The Ultraflex® C8 Universal Control Cable is the equivalent to Morse-Teleflex 33C & CC332 control cables and ideal for inboard, sterndrive and outboard engines.

- High flexibility for reduced bend radius; ideal for complex cable routing.
- Stainless steel end fittings with high-resistance black outer jacket.
- Maintenance-free.
- Stroke: 87mm
- Suitable for Yamaha®, Selva®, Suzuki®, Force®, Tohatsu® and Honda®.



C16 Engine Control Cables

The Ultraflex® C16 Control Cable is a high quality cable with stainless steel ends. Suitable for Mariner® engines (up to 40HP).

- High efficiency for smooth operation, and high flexibility for reduced bend radius.
- Stainless steel cable end fittings, with high-resistance black outer jacket.
- Maintenance-free.
- Stroke: 80mm



C14 Engine Control Cables

The Ultraflex® C14 Control Cable is a high quality cable with stainless steel ends; suitable for Johnson®, Evinrude®, OMC® and BRP®.

- From 1979 to current date.
- High efficiency for smooth operation, and high flexibility for reduced bend radius.
- Stainless steel cable end fittings, with high-resistance black outer jacket.
- Maintenance-free.
- Stroke: 75mm



MACH™ Series Engine Control Cables - High Efficiency and Flexibility

High performance MACH™ Cables utilise an innovative core design to maximise efficiency and minimise lost motion. The exclusive design of the conduit provides extremely high levels of flexibility.

- Suitable for outboard, inboard and sterndrive engines.
- High flexibility for reduced bend radius.
- Ideal for long complex cable routing.
- Maintenance-free.
- Stainless steel cable end fittings.
- Blue outer jacket provides high resistance against abrasion, UV and chemicals.

MACH™ Zero Engine Control Cables

The Mach™ Zero range of universal style cables is the equivalent of the Teleflex CX322 Supreme cable. The Mach™ Zero is ideally used as a high performance cable on long cable runs and complex routing.

- Stroke: 87mm
- Suitable for Yamaha®, Selva®, Suzuki®, Force®, Tohatsu® and Honda®.



MACH™ 14 Engine Control Cables

High performance cables suit OMC®, Johnson®, Evinrude® and BRP® style engines with cable runs and complex cable routing.

- 1979 to current date.
- Stroke: 75mm



MACH™ 5 Engine Control Cables

High performance Mach™ 5 range have a 95mm stroke to suit Mercury® and Mercruisers® with inboard, sterndrive and outboard engines.

- Stroke: 95mm



MACH™ 36 Engine Control Cables

The high performance Mach™ 36 Engine Control Cables suit Mercury® and Mercruiser® engines (Gen II™ series controls), and are suitable for use with inboard, sterndrive and outboard engines.

- Stroke: 87mm



Ultraflex® B400 Series Single Lever Side Mount Controls

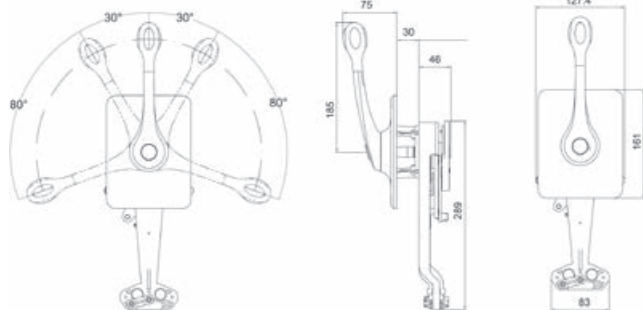
Featuring an AISI 316 stainless steel lever and bezel, the B400 has a sleek and modern design that's ideal for sailboats. This side-mount control has a universal control mechanism to allow for both 'push' or 'pull' for throttle and shift, push button warm up, and will accept 33C style cables, as well as BRP®, Mercury® Gen I and Gen II cables with optional adapters. Available in mechanical version or hybrid version (patented) to control the shift by a mechanical cable and the throttle via a 0-5V electric signal.

Features

- AISI 316 stainless steel lever and flange for better resistance in the marine environment.
- Enables easy and safe shifting by preventing accidental gear engagement unless engine is idling.
- Can be installed horizontally or vertically, on the starboard or port side of the boat.
- Provided with an easily adjustable brake tension release system.
- Push-in button for throttle operation in Neutral (ENGINE WARM-UP).
- Includes X41 Neutral Safety Switch (U38130) to prevent in-gear starting.
- Exceeds EN ISO 11547 standards when X41 Neutral Safety Switch is installed.
- The B400 ETC (Electronic Throttle Control) version is available on request. The sensor has an analogue output signal that can be single or redundant. The output voltage range is chosen by the user between 0 and 5V. Power supply 5V +/- 10%, linearity +/- 1%. For ETC controls please contact your sales representative for custom configuration.

For use with Ultraflex® engine control cables:

- Universal C8 and MACH™ Zero cables require no connection kit.



Part No.	Type
JPW18807	B400 - Full Mechanical Version
JPW18808	B400-ETC - Hybrid Version

Ultraflex® B501 Series Top Mount Controls

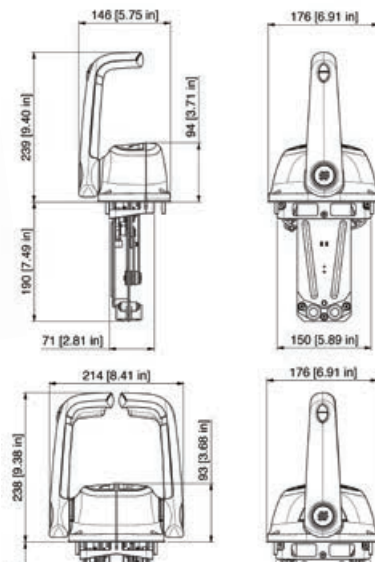
The B501/502 controls are available with or without lock in neutral and trim switches. In the twin engine installation a single switch will operate both trims. With a focus on efficiency these controls have been specifically designed to improve the functionality of control systems, making the boat easier to control. Single lever / dual action control to operate both with throttle and shift. Suitable for any type of boat with outboard, inboard or I/O power plants.

Features

- Enables easy and safe shifting by preventing accidental gear engagement unless engine is idling.
- Chrome-plated high-resistance ABS housing control with die-cast chrome-plated levers.
- Push-in button disengages shift for warm-up.
- X12 Neutral Safety Microswitch prevents in-gear starting (optional).
- Exceeds EN ISO 11547 standards when X12 Neutral Safety Microswitch is installed.

For use with all Ultraflex® control cables except C4:

- C14 and Mach™14 cables require no kit.
- for C8 and Mach™Zero cables the connection kit K59 - U40144 is included.
- C5, C16 and Mach™5 cables require K60 Kit - U40145 (Sold Separately).
- C36 and Mach™36 cables require K62 Kit - U40157 (Sold Separately).



Part No.	Type
JPW18810	B501CH Single Engine no Trim
JPW18811	B501CH Single Engine with Trim
JPW18812	B502CH Double Engine no Trim
JPW18813	B502CHT Double Engine with Trim
U34543	X12 Neutral Safety Microswitch (Optional: 1 Per Engine)



Black model available on request.

Ultraflex® B310 Series Side Mount Controls

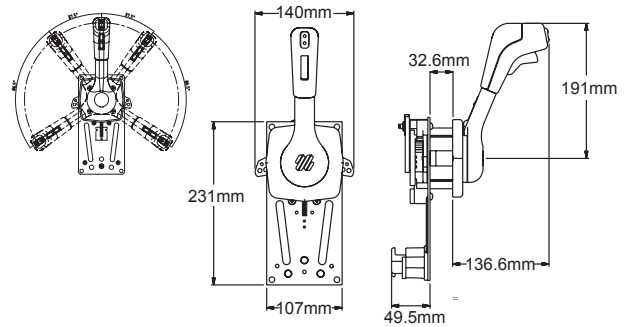
- Single lever operates both throttle and shift.
- Suitable for any type of boat with outboard, inboard or I/O power plants.
- Enables easy and safe shifting by preventing accidental gear engagement unless engine is idling.
- Can be installed horizontally or vertically, on the starboard or port side of the boat.
- Provided with a brake tension release system, adjustable from outside.
- Pull-out handle disengages shift for engine warm up.
- Provided with a power trim switch conveniently located in the handle grip that enables an easy tilting of the engine.
- Provided with positive lock-in neutral to prevent accidental gear engagement.
- X50 Neutral Safety Switch (included) prevents in-gear starting.
- Exceeds EN ISO 11547 standards when X50 Neutral Safety Switch is installed.
- For use with all Ultraflex® engine control cables except C36 and Mach™36.
- Ultraflex® C5, C16 and Mach™5 cables require **K35 - U34730** connection kit (see page 300-301).
- Ultraflex® C8, C14, C33, Mach™Zero and Mach™14 require no additional connection kit.



JPW18815
B310CH

JPW18816
B310B

JPW18817
B310B-NT



Part No.	Type
JPW18815	B310CH - Chrome with Trim Switch
JPW18816	B310B - Black with Trim Switch
JPW18817	B310B-NT Black (No Trim)

Ultraflex® Single Lever Side Mount Controls

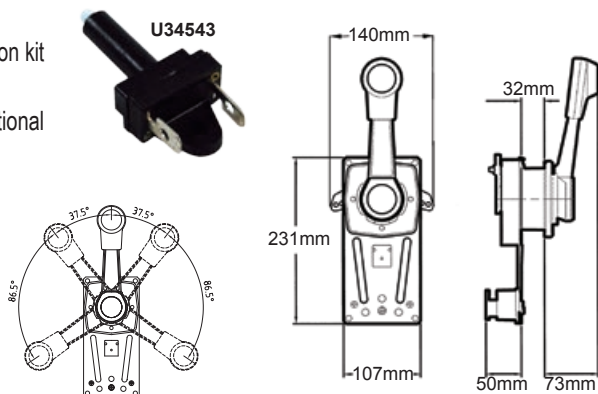
- Single lever operates both throttle and shift.
- Suitable for any type of boat with outboard, inboard or I/O power plants.
- Enables easy and safe shifting by preventing accidental gear engagement unless engine is idling.
- Can be installed horizontally or vertically, on the starboard or port side of the boat.
- Provided with a brake tension release system, adjustable from outside.
- Pull-out handle disengages shift for warm-up.
- Exceeds EN ISO 11547 standards when X12 Neutral Safety Microswitch is installed, as it prevents in-gear starting.
- All models are provided with positive lock-in neutral to prevent accidental gear engagement.
- B184 model is provided with a power trim switch conveniently located in the handle grip that enables an easy tilting of the engine.
- For use with all Ultraflex® engine control cables except C36 and Mach™36.
- Ultraflex® C5, C16 and Mach™5 cables require **K35 - U34730** connection kit (see page 300-301).
- Ultraflex® C8, C14, C33, Mach™Zero and Mach™14 require no additional connection kit.



JPW18839
B183

JPW18827
B184

JPW18840
B85



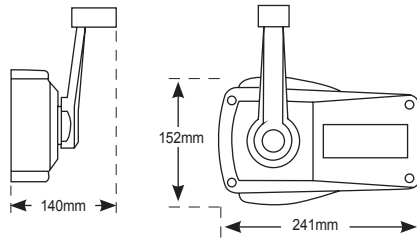
Part No.	Type
JPW18839	B183 - Painted Marine Aluminium
JPW18827	B184 - Painted Marine Aluminium
JPW18840	B85 - Painted Marine Aluminium - Sail Boat
U34543	X12 Neutral Safety Microswitch (Optional)

Ultraflex® Single Lever Side Mount Controls

The single lever operates both throttle and shift and is suitable for boats with outboard, inboard or I/O power plants. Enables easy and safe shifting by preventing accidental gear engagement unless engine is idling. Painted marine aluminium construction.

- Can be installed horizontally or vertically, on the starboard or port side of the boat.
- Pull-out handle disengages shift for warm-up.
- X12 Neutral Safety Microswitch (optional) prevents in-gear starting.
- Exceeds EN ISO 11547 standards when X12 Neutral Safety Microswitch is installed.
- Provided with a positive lock-in neutral to prevent accidental gear engagement.
- For use with all Ultraflex® engine control cables except C36 and Mach™36.
- Ultraflex® C8 and Mach™Zero cables require no connection kit.
- Ultraflex® C5, C16 and Mach™5 cables require **K35 U34730** connection kit. (see page 300).
- Ultraflex® C14 and Mach™14 cables require **K51 U32526** connection kit (see page 300).

Part No.	Type
JPW18828	B90 - Painted Aluminium - Black
JPW18842	B89 - Painted Aluminium - Ivory
U34543	X12 Neutral Safety Microswitch (Optional)



Ultraflex® Single Lever Top Mount Controls

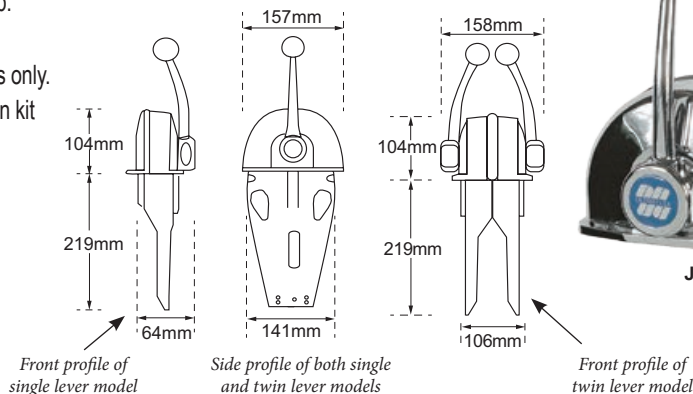
Available in single or dual lever, operates both throttle and shift (dual lever for two engines). Suitable for any type of boats with outboard, inboard or I/O power plants. Enables easy and safe shifting by preventing accidental gear engagement unless engine is idling. Chrome-plated marine aluminium construction.

- X43 Neutral Safety Switch (optional) prevents in-gear starting (one per engine).
- Exceeds EN ISO 11547 standards when X43 Neutral Safety Switch is installed.
- Pull-out handle disengages shift for warm-up.

For use with engine control cables:

- Universal® C33, C8 and Mach™ Zero cables only.
- C22 cables require K33 - U38378 connection kit

Part No.	Type
JPW18825	B103 Single Lever
JPW18826	B104 Twin Lever
U38160	X43 Neutral Safety Switch (Optional: 1 Per Engine)



Ultraflex® Single Lever Top Mount Controls

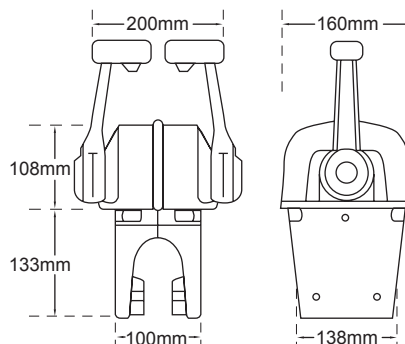
Operates both throttle and shift (dual lever for two engines) and is suitable for any type of boat with outboard, inboard or I/O power plants. Marine aluminium construction with a powder coat finish.

- Enables easy and safe shifting by preventing accidental gear engagement unless engine is idling.
- Pull-out handle disengages shift for warm up.
- X12 Neutral Safety Microswitch (optional) prevents in-gear starting.
- Exceeds EN ISO 11547 standards when X12 Neutral Safety Microswitch is installed.
- Power trim switch conveniently located in the handle grip enables for easy tilting of the engine.

For use with engine control cables:

- Universal® C33, C8, C14, Mach™ Zero and Mach™ 14 cables require no connection kit.
- C5, C16 and Mach™ 5 cables require a K35 - U34730 connection kit (see page 300).

Part No.	Type
JPW18843	B74 Twin Lever
U34543	X12 Neutral Safety Microswitch (Optional)



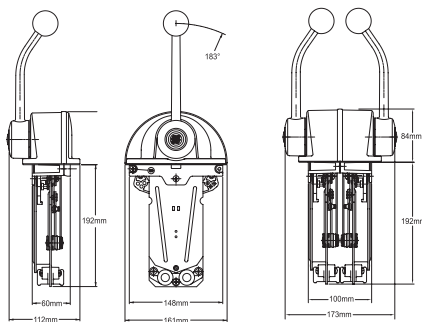
Ultraflex® “Low Profile” Single Lever Top Mount Controls

Available in single or dual lever, operates both throttle and shift (dual lever for two engines). Suitable for any type of boats with outboard, inboard or I/O power plants. The compact single lever control offers a unique low profile style compared to other controls available on the market.

- Enables easy and safe shifting by preventing accidental gear engagement unless engine is idling.
- Push-in button disengages shift for warm-up.
- X12 Neutral Safety Microswitch (optional) prevents in-gear starting (one per engine).
- Exceeds EN ISO 11547 standards when X12 Neutral Safety Microswitch is installed.
- K59 connection kit supplied with B301CR, B301B, B302B & B302CR.

For use with engine control cables:

- Universal® C33, C8 and Mach™ Zero cables require K59 connection kit (supplied).
- C14 and Mach™ 14 cables require no connection kit.
- C5, C16 and Mach™ 5 cables require a K60 U40145 connection kit (see pg 300).
- C36 and Mach™36 require K62 - U40157 kit (see page 300).



JPW18824
B302CR

All models feature the exclusive push-button design



JPW18823
B301CR

JPW18822
B302B

JPW18821
B301B

U34543

Part No.	Model Type	Material
JPW18823	B301CR Single Lever	Chrome Plated
JPW18824	B302CR Twin Lever	Chrome Plated
JPW18821	B301B Single Lever	Black Dome, Chrome Plated Lever
JPW18822	B302B Twin Lever	Black Dome, Chrome Plated Lever
U34543	X12 Neutral Safety Microswitch (Optional: 1 Per Engine)	

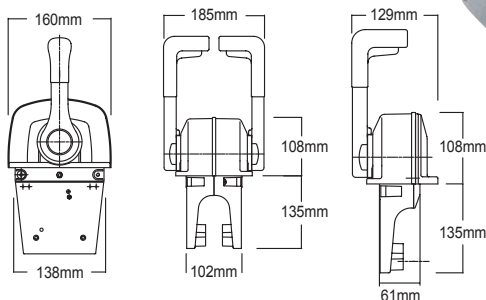
Ultraflex® Single Lever Top Mount Controls

Suitable for any type of boat with inboard, outboard and sterndrive motors. Levers control and operate both throttle and shift. Easy and safe shifting preventing accidental gear engagement unless engine is idling.

- Pull-out handle disengages shift for warm-up.
- X12 Neutral Safety Microswitch (optional) prevents in-gear starting.
- Provided with a positive lock-in neutral to prevent accidental gear engagement.
- Exceeds safety standard EN11547 with X12 Neutral Safety Microswitch installed.

For use with engine control cables:

- Universal® C33, C8, C14, Mach™ Zero and Mach™ 14 cables require no connection kit.
- C5, C16 Mach™ 5 cables require a K35 - U34730 connection kit (see page 300).



JPW18833
B665



JPW18834
B666



U34543

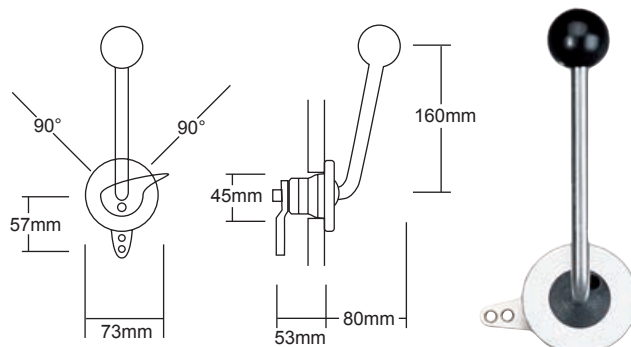
Part No.	Model Type	Material
JPW18833	B665 Single Lever	Chrome Plated
JPW18834	B666 Twin Lever	Chrome Plated
U34543	X12 Neutral Safety Microswitch (Optional)	-

Ultraflex® 35 Control Box

- Ultraflex® single action side control.
- Particularly suitable for throttle control and hydraulic shift operation.
- Provided with adjustable brake tension release and detents.

For use with engine control cables:

- Ultraflex® C8. • Mach™ Zero.



Part No.	Type
JPW18840B	B35 Single Side Mount

Control Connection Kits

Part No.	Description
1 U34713	K22 - Kit connects C22 cable to top mount two level control boxes, B46, B50, B58, B59, B204, B208, B322, B324
2 U32773	K23 - Kit connects C14 & Mach™ 14 Cables to a B47 Engine Control Box
3 U32775	K25 - Kit connects C33, C8 & Mach™ Zero Cables to a B47 Engine Control Box
4 U34730	K35 - Kit connects C5, C16 & Mach™ 5 Cables to Single Lever B183, B184, B85, B310CH, B73, B74, B89, B90, B665, B666 Engine Control Boxes
5 U32526	K51 - Kit connects C14 and Mach™ 14 Cables to B89 and B90 Engine Control Boxes
6 U40144	K59 - Kit connects C2, C8 and Mach™ Zero Cables to B301 and B302 Controls (Supplied with the box).
7 U40145	K60 - Kit connects C5, C16 & Mach™ 5 Cables to B301CR, B302CR, B301B & B302 Engine Control Boxes
8 U40147	K62 - Kit connects C36 & Mach™ 36 Cable to B301CR, B302CR, B301B & B302 Engine Control Boxes
9 U30324	L2 - Cable Clamp Block
10 U30325	L3 - Shim & Clamp Block Fits C8, Mach™ Zero & C33 Cables
11 U38078	L7 - Stainless Steel Ball Joint with 10-32 internal thread. Fits C8, Mach™ Zero & C33 Cables
12 U30334	L12 - Cable End Pivot Fit C8, Mach™ Zero & C33 Cables
13 U30335	L13 - Stop Collar Fits B14 Cables
14 U30336	L14 - Cable Clamp Block fits C8, Mach™ Zero & C33 Cables
15 U31906	L25 - Clevis 10-32 UNF. Fits C8, C33 & Mach™ Zero Cables



U34713
K22



U32773
K23



U32775
K25



U34730
K35



U32526
K51



U40144
K59



U40145
K60



U40147
K62



U30324
L2



U30325
L3



U38078
L7



U30334
L12



U30335
L13



U30336
L14



U31906
L25

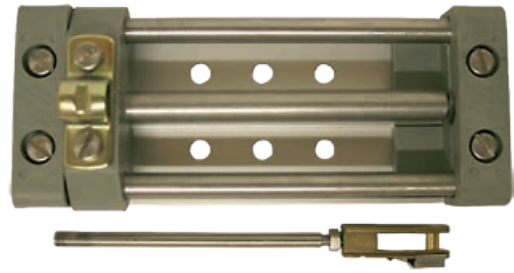
L23 Selector Unit For Dual Station Applications

Selector unit for use with single lever controls in dual station applications. It enables independent control over throttle and shift from either the main station or the flying bridge station.

NOTE: before changing station, throttle must be on idling position and shift in neutral.

Part No.

U31649



Yamaha® Engine Kits

Part No.	Description
U30320	K7 - 30320 V for 15 hp engines
U30321	K8 - 30321 A for 25 hp engines
U33205	K9B - 33205 A for 5 hp engines
U32584	K14B- 32584 E for 10/15 hp engines
U38098	K14F- 38098 C for 10/15 hp engines
U35034	K36 - 35034 B for 8 hp engines
U32654	S-2674 - 32654 X Yamaha® Throttle Connector
U32655	S-2675 - 32655 Y Yamaha® Shift Connector



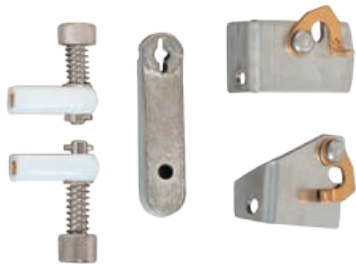
U32584
Yamaha® Kit 10-15hp - K14B



U30320
Yamaha® K7 Kit for 15HP



U38098
Yamaha® Kit 10-15hp - K14F



U30321
Yamaha® K8 Kit for 25HP



U35034
K36 Kit for Yamaha® 8HP



U33205
Kit Yamaha® K9B



U32654
Shift Connector S2674



U32655
Throttle Connector S2675

Power A Mark II™

Smooth, effortless, positive control of shift and throttle for up to four stations.

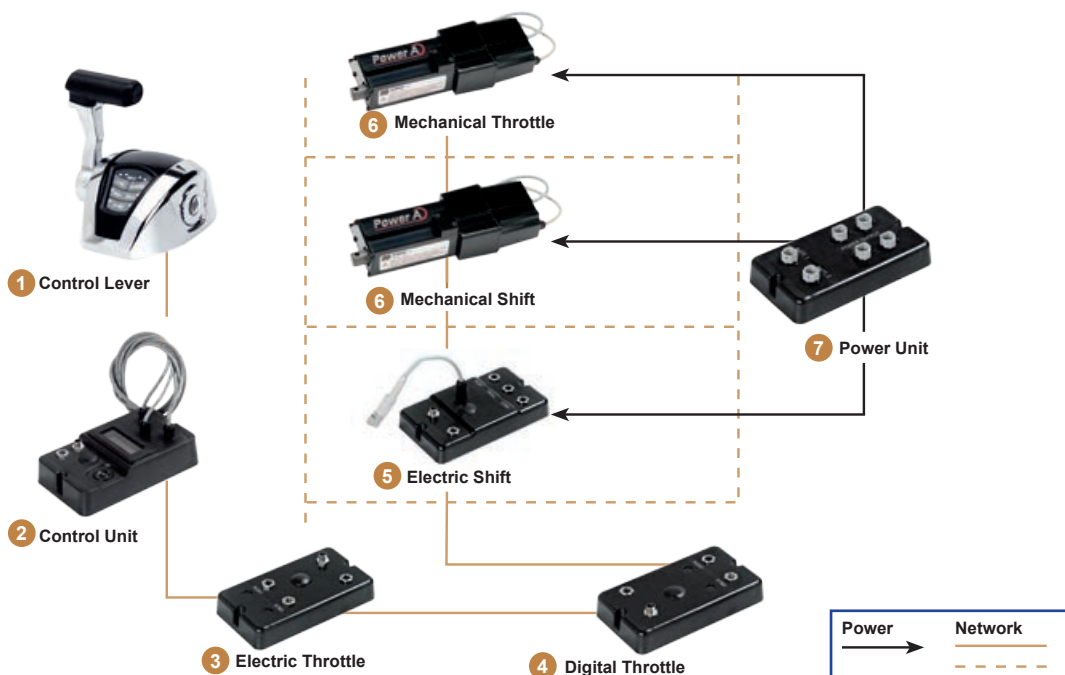
The easy to install **Power A Mark II™** control system provides fingertip operation of throttle and shift levers. Using reliable and precise digital data transmission, this single or dual function control system is specifically designed to work on mechanically controlled as well as electronic and electro-hydraulic gas and diesel inboards, sterndrives, and outboards.



- With the ability to control up to 2 engines from up to 4 different stations, the Power A Mark II™ is a modular and flexible system with simple to install components. The unique Control Unit Display of the Power A Mark II™ provides simple touch pad programming with descriptive information regarding the set up, tuning and diagnostics of the system.
- This unique system can replace mechanical controls either on fully mechanical engines, or on fully electrical engines, or on engines with the combination of both characteristics.

SPECIAL FEATURES

- **Dock Assist** – allows the operator to reduce the sensitivity of the throttle function for easier dock side handling.
- **RPM Synchronisation** – reduces engine vibration and improves fuel economy.
- **High Idle** – increase RPM where higher idle is necessary for cold engine operations. Plus a programmable **Trolling Valve Control** and Neutral Warm-Up.
- The stylish and ergonomically designed control makes the Power A Mark II™ suitable for many types of applications ranging from sport boats and yachts to commercial applications.
- Private protocol can bus for data transmission.
- Available with and without trim, the control has audible and visual interfaces that alert the operator to the current status of the control system.
- Connection of multiple stations up to four controls.
- Modular system.
- Direct communication with electronic engines (SAE J 1939 or NMEA 2000).
- Plug 'n' Play connectivity.
- Automatic engines synchronisation.
- Fully programmable shift delays.



1 Chrome or Black Finish Control Stations

Power A Mark II™



JPW15604

JPW15603

JPW15601

JPW15602

JPW15605

Single Engine Power A Mark II Electronic Helm

Part No.	Description	Finish
JPW15604	Single Engine Control without Trim	Chrome
JPW15603	Single Engine Control with Trim	Chrome

Twin Engine Power A Mark II Electronic Helm

JPW15601	Twin Engine Control without Trim	Black
JPW15602	Twin Engine Control without Trim	Chrome
JPW15605	Twin Engine Control with Trim	Chrome

- Single Lever/Dual Function and Dual Lever/Dual Function for shift, throttle and trolling.
- Up to four control stations.
- **Control boxes IP protection:** IP66.
- **Power supply:** min 9v max 32v.
- **Working temperature:** -25°C to +75°C.
- **Control station functions:** Station Select; Engines Warm Up; High Idle; Docking; Engine Synchronization; Trolling Valve (*on request*).
- **Electronic throttle outputs:** Voltage (double output 0-5v and 0-2,5v); PWM (0-100%, frequency from 200Hz to 1kHz); Current (4-10mA).
- **Digital throttle output:** SAE J 1939; NMEA 2000.
- **Trolling valve output:** Voltage (0-5v); PWM (0-100%, frequency from 100Hz to 1kHz); Current (4-20mA).
- **Electric shift control:** 2 or 3 ON/OFF or proportional solenoids; shift delays fully settable.

2 Control Unit

User interface for the configuration, settings and diagnostic of all the modules in a system.

JPW15608
PA2-CU

Dimensions L x W
210 x 120mm



5 Shift Unit

It controls up to 2 shifts with solenoids. Required for use with direct connection to the electrical shift unit on the transmission.

Dimensions L x W
210 x 120mm

JPW15613
PA2-SU



3 V-Throttle Unit

It supplies the throttle electronic signal. Required for use with direct connection to the electronic throttle on the engine. For 0-5v interfaces (voltage).

JPW15610
PA2-VT

IP65
Waterproof



6 Mechanical Throttle / Shift

The electromechanical actuators can control any mechanical interface (throttle shift or custom made trolling valve) through Mach™ Zero and C8 mechanical cables.

Dimensions Length
320mm

JPW15626
PA2-MA



3 I-Throttle Unit

It supplies the throttle electronic signal. Required for use with direct connection to the electronic throttle on the engine. For 4-20mA (current).

JPW15611
PA2-IT

IP65
Waterproof



Dimensions L x W
205 x 110mm

Network Terminators

Each system requires two terminators. For cable ends - choose terminator according to your needs.

JPW15628
PA2-NT



4 PWMT-Throttle Unit

It supplies the electrical signals to PWM interfaces.

JPW15612
PA2-PWMT

IP65
Waterproof



Dimensions L x W
205 x 110mm

4 SAEJ-Throttle Unit

Supplies the digital signals to CAN SAEJ 1939 or NIMEA 2000 interfaces.

Dimensions L x W
205 x 110mm

JPW15614
PA2-SAEJT

IP65
Waterproof



Throttle Unit



Part No.	Model	Description	Features	No. Of Engines	Engine Type
JPW15610	V-Throttle	Throttle with analog voltage interface	Redundant voltage input, IVS.	1 - 2	FPT®, Yanmar®, Mercruiser®, Lombardini®
JPW15611	I-Throttle	Throttle with current analog interface	Current out puts.	1 - 2	4 - 20 mA throttle engines
JPW15612	PWM Throttle	Throttle with PWM interface	PWM outputs	1 - 2	Perkins®, Caterpillar®
JPW15614	SAEJ -Throttle	Throttle with SAEJ 1939 interface	CAN DeviceNet SAEJ 1939 outputs	1 - 2	SAEJ® 1939 engines
JPW15614	NMEA -Throttle	Throttle with NMEA 2000 interface	CAN DeviceNet NMEA 2000 outputs	1 - 2	NMEA® 2000 engines

Main system cables

Description	Application	Length (m)	Part No.	Connectors
Main power supply cable	Main power supply of the system	1	U42052	One each battery
		3	U42053	
		7	U42054	
		10	U42055	
Power cable extension	Power extension cable for modules connection	1	U42056	One each mechanical actuator or shift unit
		3	U42057	
		7	U42058	
		10	U42059	
Shift cable	Solenoid connection cable	1	U42060	One each solenoid shift
		3	U42061	
		7	U42062	
		10	U42063	
Three-solenoid shift cable (neutral solenoid)	Three-solenoid connection cable	1	U42072	One each 3 solenoid shift
		3	U42073	
		7	U42074	
		10	U42075	
CAN cable	Network connection cable	1	U73639	CAN cable
		3	U73680	
		7	U73681	
		10	U71021	
		15	U71031	
		20	U71032	



Note: Should the engine inverter need the neutral solenoid, the proper shift cable must be used. Custom cabling can be done, upon request.



Throttle Cables

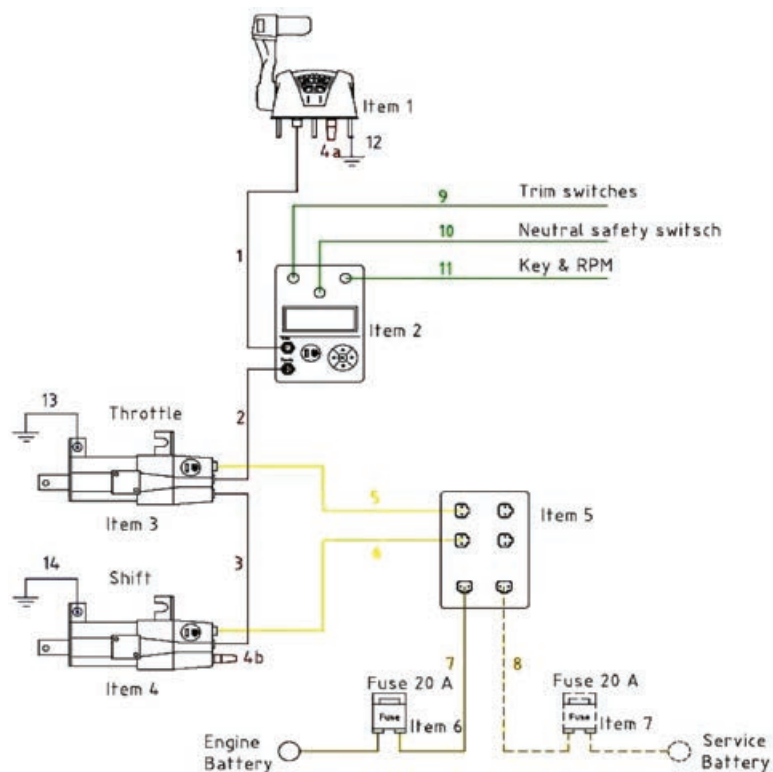
Model	Application	Part No.	Length (m)	Connectors
Universal® V-Throttle cable	Not redundant 5V cable/1 engine	U42029 U42030	2-4	None
FPT® V-Throttle cable	FPT® engines 0 – 5 V cable (J-INV connector)	U42350 U42351	2-4	FPT®, all engines with J-INV connector
FPT® V-Throttle cable	FPT® engines 0 – 5 V cable (J-D connector)	U42348 U42349	2-4	FPT®, all engines with J-D connector
VW® V-Throttle cable (4-5-6 cylinder)	VW® engines 0 – 5 V cable	U42033 U42034	2-4	VW, 4, 5 and 6 cylinder
Mercuriser® 4.2 Black V-Throttle cable	Mercuriser® engines 0 – 5 V cable	U42035 U42036	2-4	Mercuriser® 4.2 black engines
Mercuriser® QSD V-Throttle cable	Mercuriser® engines 0 – 5 V cable	U42037 U42038	2-4	Mercuriser® QSD engines
Lombardini® V-Throttle cable	Lombardini® engines 0 – 5 V cable	U42039 U42040	2-4	180 and 240 HP Lombardini® engines
Yanmar® V-Throttle cable	Yanmar® engines 0 – 5 V cable	U42041 U42042	2-4	Yanmar® BY engines
Universal® I/PWM Throttle cable	PWM throttle cable with no connector	U42043 U42044	2-4	Compatible with CAT electronic engines C30/C32
Universal® SAEJ1939 Throttle cable	S AEJ1939 cable with no connector	U42045 U42046	2-4	None
NMEA2000 Throttle cable	NMEA2000 cable	U42047 U42048 U42049	1 3 7	DeviceNet cable Drop type for NMEA2000 connection
Hyundai® V-Throttle cable	Hyundai engines 0 – 5 V cable	U42288 U42289	2-4	Hyundai engines
VM® V-Throttle cable	V M engines 0 – 5 V cable	U42314 U42315	2-4	VM engines
Perkins® PWM-Throttle cable	Perkins® engine PWM Throttle cable	U42374 U42373	2-4	Perkins® engines

Systems will be quoted up on individual requests.

Information required to quote:

- Vessel size
- Vessel electrical systems voltage
- Number of engines
- Brand of engine (size and model)
- Drive unit type, brand and model
- Number of control stations

Mechanical Throttle and Mechanical Shift - Single Engine



HOW TO ORDER

Select products from the catalogue or through our website using the product categories or search function. Make note of the part numbers to facilitate ordering.

ONLINE



Login to our website
with your customer username & password.

www.jpwmarine.com.au

If you know our product codes, use the
'Quick Order' form for a speedy checkout.

PHONE



Call us during standard
Western Australian business hours on

(08) 6253 3000

to place order by phone.

EMAIL



Email your order to

orders@jpwmarine.com.au



JPW MARINE

AUSTRALIA'S LEADING BOATING AND MARINE WHOLESALER

TRIM TABS & HATCH LIFTS 20

Actuators & Trim Planes (Tabs).....314

BOLT ELECTRIC TRIM TABS

BOLT Conversion Kits.....309

BOLT Electric Trim Tab Kits.....308

COMMON PARTS & ACCESSORIES316

HYDRAULIC HATCH LIFT SYSTEM..... 315

Helm Controls.....312 - 313

Performance & Premier
Hydraulic Trim Tab Kits311

Self-Levelling Trim Tabs315

HYDRAULIC TRIM TABS

Standard (Classic) & Sport
Hydraulic Trim Tab Kits.....310

HOW TRIM TABS WORK318



BOLT ELECTRIC TRIM TAB KITS

BOLT Electric Trim Tab Kits (12V)

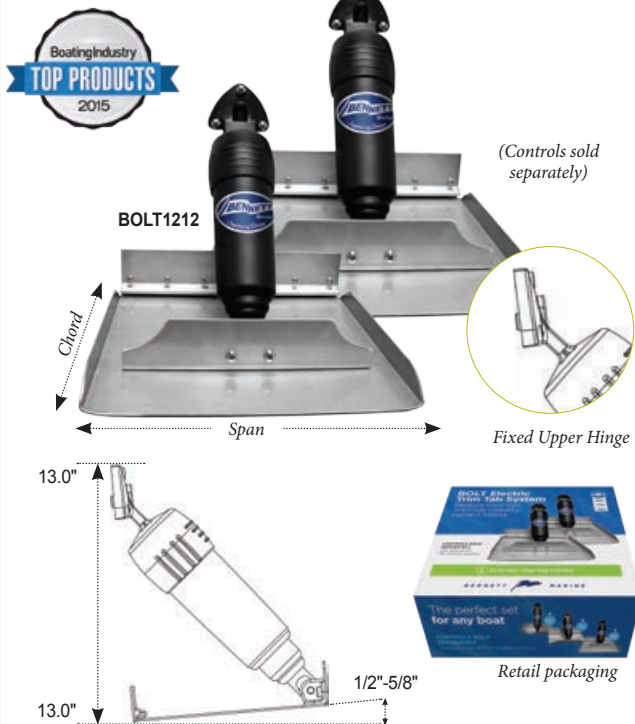
Balance loads, plane faster, increase efficiency and performance with Bennett Bolt Electric Trim Tab Systems, built to outlast any electric trim tab system on the market.

Kits include:

- 2 x 12-volt fixed upper hinge actuators with 6ft. wire harnesses and waterproof connectors (BEA2000)
- 2 x Stainless steel trim planes (tabs) and mounting plates
- 2 x 20ft. wire harnesses with waterproof connectors (BAW2020)

Features include:

- Completely sealed upper hinge with no exposed wires
- Superior seal design inspired by over 50 years of Bennett's proven success in actuator manufacturing excellence



Part No.	BM Part No.	Span/Chord		Tab	Boat Size* (m)
		mm (inch)			
JPW16300	BOLT124	305 x 101 (12 x 4)		Trailing	4-6
JPW16301	BOLT129	305 x 228 (12 x 9)		Trailing	4-6
JPW16302	BOLT189	457 x 228 (18 x 9)		Trailing	6-7
JPW16303	BOLT249	610 x 228 (24 x 9)		Trailing	6-8
JPW16304	BOLT1212	305 x 305 (12 x 12)		Riveted	5-7
JPW16305	BOLT1812	457 x 305 (18 x 12)		Riveted	6-8
JPW16306	BOLT2412	610 x 305 (24 x 12)		Riveted	7-9

Bolt Electric – Edge Mount Limited Space Trim Tab Kits (12V)

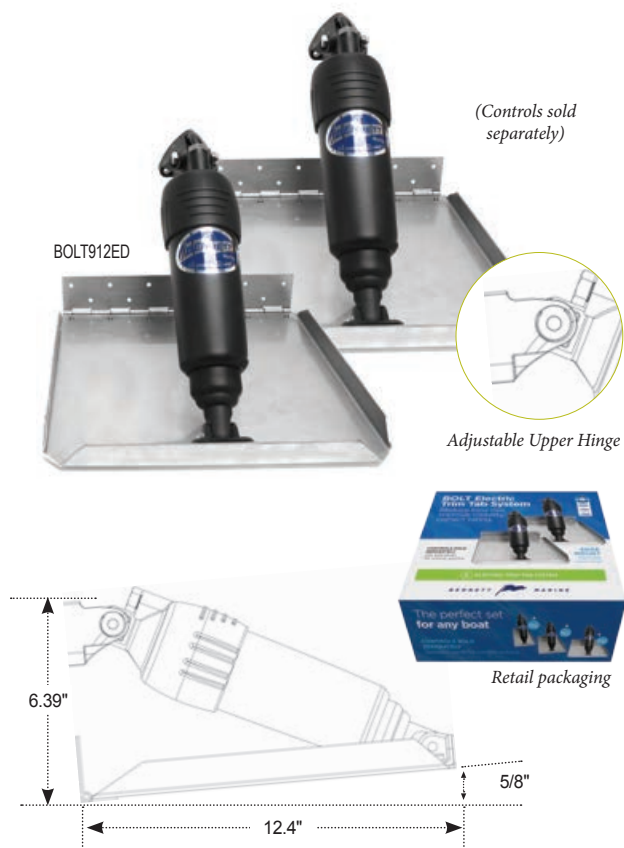
Designed with an adjustable upper hinge for transoms with limited vertical space. Tabs turn up for added strength and feature piano-hinged backing plates.

Kits include:

- 2 x 12-volt adjustable upper hinge actuators with 6ft. wire harnesses and waterproof connectors (BEA3000)
- 2 x Stainless steel trim planes (tabs) and mounting plates
- 2 x 20ft. wire harnesses with waterproof connectors (BAW2020)

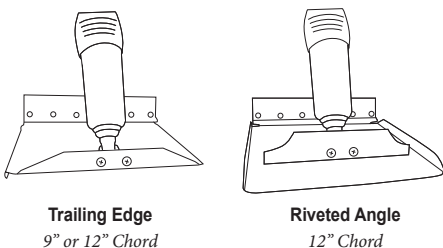
Features include:

- Requires less than 6.5" (165mm) of vertical transom space to install
- Superior seal design inspired by over 50 years of Bennett's proven success in actuator manufacturing excellence



Part No.	BM Part No.	Span/Chord		Tab	Boat Size* (m)
		mm (inch)			
JPW16310	BOLT612ED	152 x 305 (6 x 12)		Trailing	4-6
JPW16311	BOLT912ED	228 x 305 (9 x 12)		Trailing	4-6
JPW16312	BOLT1212ED	305 x 305 (12 x 12)		Trailing	5-7

Trim Tab Style Options



Helm Control Options (sold separately)



BOLT ELECTRIC TRIM TAB CONVERSION KITS



Lenco-to-BOLT Upgrade Conversion Kit (12V)

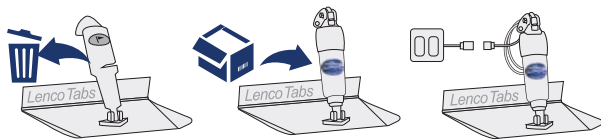
This kit includes everything necessary for a cost-effective, quick and easy upgrade from Lenco actuators to Bennett's exceptionally durable and dependable actuators. Bennett electric actuators are built to last, backed by a lifetime limited warranty.

- Works with Lenco "Standard Mount", "Standard Performance", and "Edge Mount" systems
- "plug 'n' play" connection to your existing standard Lenco controls
- Simply replace the Lenco actuators with Bennett Bolt actuators using the existing drill holes
- Easy installation with no new holes to drill keep your existing trim tabs
- Actuator lifetime limited warranty



Installation Guide

- 1 Remove existing Lenco actuators, retaining your Lenco tabs
- 2 Swap your Bennett BOLT actuators onto the Lenco tabs
- 3 Connect "Plug n play" connectors to your Lenco Controls



Part No.	BM Part No.	Description
JPW16330	BOLTCLKON	Lenco-to-Bolt Upgrade Kit (Controls & tabs not included)

Bennett Hydraulic-to-Bolt Electric Conversion Kit (12V)

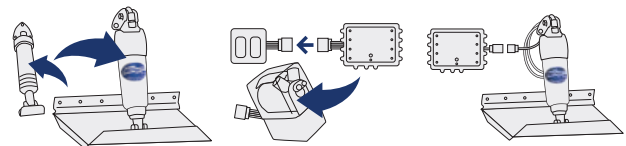
All you need for a quick and easy conversion from Bennett hydraulic actuators to Bennett BOLT electric actuators. No rewiring or drilling of new holes required. BOLT actuators are exceptionally durable and dependable, backed by a lifetime limited warranty on the actuator.

- Quick and easy conversion from standard Bennett hydraulic single actuator systems (A1101A & A1101ARC) using your existing wiring, rocker switch and trim tabs
- "Plug 'n' play" connection to existing standard Bennett Rocker Switch
- Equipped with Auto Tab Retraction and Diagnostics Relay Module



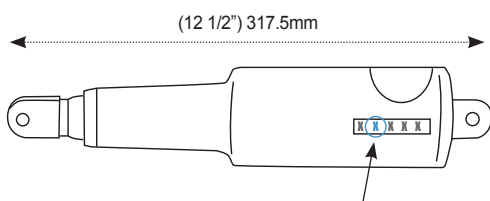
Installation Guide

- 1 Remove the existing Bennett actuator and swap in BOLT on existing tabs
- 2 Remove the hydraulic pump and connect the "Plug n play" relay module
- 3 Connect "Plug n play" BOLT electric actuators to the relay module



Part No.	BM Part No.	Description
JPW16328	HYDBOLTCON	Hydraulic-to-Bolt Conversion Kit (Controls & tabs not included)
JPW16331	BOLTBLT	Bolt Kit with fixed Upper Hinges (Controls & tabs not included)
JPW16329	BOLTBLTADJ	Bolt Kit with adjustable Upper Hinges (Controls & tabs not included)

Determining compatibility with your existing Lenco actuators



Bennett Lenco-to-BOLT Upgrade Conversion Kit is compatible with Lenco "Standard Mount", "Standard Performance", and "Edge Mount" systems. To determine whether your Lenco actuators meet the compatibility requirements, locate the identification stamp (available since approximately May 2008).

The actuator type is indicated by the second number in the 5-digit code. Lenco actuators with either "A", "B" or "G" indicated as the second digit in the 5-digit code sequence are compatible with the Bennett Lenco-to-BOLT Upgrade Kit. Short stroke Lenco actuators (11-3/8" and 10-7/8" actuator length), or long stroke Lenco actuators (14" and 13" actuator length) are NOT compatible.

STANDARD (CLASSIC) & SPORT HYDRAULIC TRIM TAB KITS



Hydraulic trim tabs are known for power, precision and durability. Get the most from your boat, no matter what the load, speed or sea conditions. Using the helm control, you can adjust the tabs individually or in unison to create the perfect cruising attitude. Increase speed and fuel economy, smooth a rough ride and get on plane faster.

Kits include:

- 2 x Trim plane assemblies
- 2 - 4 x Hydraulic actuators (A1101A)
- 1 x Hydraulic Power Unit (V351HPU1)
- Hydraulic tubing and hardware
- Rocker Helm Control

Features include:

- Get on plane fast, and stay on plane at intermediate speeds
- Correct listing and uneven loads
- Improve visibility and safety
- Reduce pounding and eliminate porpoising
- Increase speed and fuel efficiency
- Low maintenance, long-term value, and easy to service
- Exclusive transom mount inter-locking tab design
- Bottom-mount and piano hinge mounts are available for custom order



Complete Kits with Rocker Control



Complete Kits With Electronic Indicator



Part No.	BM Part No.	Span/Chord		Tab	Act. Per Tab	Boat Size* (m)	Part No.	BM Part No.	Span/Chord		Tab	Act. Per Tab	Boat Size* (m)
		mm (inch)							mm (inch)				
JPW16213	M80	203 x 254 (8 x 10)		Sport	1	5-6	JPW16218	M80EIC	203 x 254 (8 x 10)		Sport	1	5-6
JPW16212	M120	254 x 305 (10 x 12)		Sport	1	6-7	JPW16215	M120EIC	254 x 305 (10 x 12)		Sport	1	6-7
JPW16001	129E	305 x 228 (12 x 9)		Trailing	1	4-6	JPW16219	129EIC	305 x 228 (12 x 9)		Trailing	1	4-6
JPW16009	189E	457 x 228 (18 x 9)		Trailing	1	6-7	JPW16002	189EIC	457 x 228 (18 x 9)		Trailing	1	6-7
JPW16011	249E	610 x 228 (24 x 9)		Trailing	1	6-8	JPW16220	249EIC	610 x 228 (24 x 9)		Trailing	1	6-8
JPW16012	309E	762 x 228 (30 x 9)		Trailing	1	7-9	JPW16281	1212EIC	305 x 305 (12 x 12)		Riveted	1	5-7
JPW16014	369E	914 x 228 (36 x 9)		Trailing	1	8-10	JPW16221	1812EIC	457 x 305 (18 x 12)		Riveted	1	6-8
JPW16018	429E	1067 x 228 (42 x 9)		Trailing	1	9-11	JPW16222	2412EIC	610 x 305 (24 x 12)		Riveted	1	7-9
JPW16019	489E	1219 x 228 (48 x 9)		Trailing	1	11-13							
JPW16000	1212E	305 x 305 (12 x 12)		Riveted	1	5-7							
JPW16044	1812E	457 x 305 (18 x 12)		Riveted	1	6-8							
JPW16021	2412E	610 x 305 (24 x 12)		Riveted	1	7-9							
JPW16045	3012E	762 x 305 (30 x 12)		Riveted	1	7-9							
JPW16017	3612E	914 x 305 (36 x 12)		Riveted	1	8-10							
JPW16024	4212E	1067 x 305 (42 x 12)		Riveted	1	9-11							
JPW16025	4812E	1219 x 305 (48 x 12)		Riveted	2	11-13							
JPW16027	5412E	1371 x 305 (54 x 12)		Riveted	2	15-18							
JPW16028	6012E	1524 x 305 (60 x 12)		Riveted	2	18-20							
JPW16029	6612E	1676 x 305 (66 x 12)		Riveted	2	20-22							
JPW16031	7212E	1829 x 305 (72 x 12)		Riveted	2	22-24							

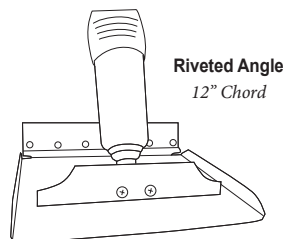
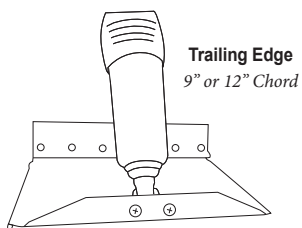
*Boat size is recommended only

Complete Kits With AutoTrim Pro



Part No.	BM Part No.	Span/Chord		Tab	Act. Per Tab	Boat Size* (m)
		mm (inch)				
JPW16047	M80ATP	203 x 254 (8 x 10)		Sport	1	5-6
JPW16048	M120ATP	254 x 305 (10 x 12)		Sport	1	6-7
JPW16049	129ATP	305 x 228 (12 x 9)		Trailing	1	4-6
JPW16050	189ATP	457 x 228 (18 x 9)		Trailing	1	6-7
JPW16051	249ATP	610 x 228 (24 x 9)		Trailing	1	6-8
JPW16052	1212ATP	305 x 305 (12 x 12)		Riveted	1	5-7
JPW16053	1812ATP	457 x 305 (18 x 12)		Riveted	1	6-8
JPW16054	2412ATP	610 x 305 (24 x 12)		Riveted	1	7-9

Trim Tab Style Options



PERFORMANCE & PREMIER HYDRAULIC TRIM TAB KITS



Performance Sport Tab Black Powder Coated Trim Tab Kits

Enjoy the sophisticated black powder coated finish of Performance Sport Tabs. Manufactured with heavy gauge reinforced stainless steel and powerful hydraulic actuators. Performance Sport Tabs combine strength, durability, and good looks to achieve your boat's maximum potential.

Features include:

- Get on plane fast. Stay on plane at intermediate speeds
- Correct listing and uneven loads
- Reduce pounding and eliminate porpoising
- Improve visibility and safety
- Low maintenance with long-term value

Kits include:

- 1 x Control unit (Rocker, EIC or ATP)
- 2 x Trim plane assemblies
- 2-4 x Hydraulic actuators
- 1 x Hydraulic Power Unit
- Hydraulic tubing and hardware



Retail packaging

Premier Line Stainless Steel XPT, BXT & SST Trim Tab Kits

When only the best will do, these exceptional Trim Tab systems are your only option. With superior design and engineering, Premier systems are built to the highest standards of durability, uniting form and function by employing the highest quality materials and the power of hydraulics.

Features include:

- Designed for luxury motor yachts, military, government, high-performance sport fishing, and commercial vessels
- No external hydraulic lines, wires or cables exposed to extreme marine environments
- All stainless steel construction assures highest resistance to corrosion from dissimilar metals
- Powerful dual acting hydraulics provide precision control of the stainless steel actuators
- Multiple actuator mounting points provide adjustability

Kits include:

- 1 x Helm Control (EIC or AutoTrim Pro)
- 2 x Compact dual acting Hydraulic Power Units
- 2-4 x Stainless steel hydraulic actuators
- 2 x Heavy duty 7 gauge trim planes
- Hydraulic tubing and hardware



Part No.	BM Part No.	Span/Chord	Tab	Act. Per Tab	Boat Size* (m)
		mm (inch)			

Complete Kits with Rocker Control

JPW16200	ST9	228 x 305 (9 x 12)	Trailing	1	4-6
JPW16201	ST12	305 x 305 (12 x 12)	Riveted	2	6-7
JPW16202	ST16	305 x 406 (12 x 16)	Riveted	2	6-8

Complete Kits with AutoTrim Pro

JPW16206	ST9ATP	228 x 305 (9 x 12)	Trailing	1	4-6
JPW16207	ST12ATP	305 x 305 (12 x 12)	Riveted	2	6-7

Complete Kits with EIC

JPW16203	ST9EIC	228 x 305 (9 x 12)	Trailing	1	4-6
JPW16204	ST12EIC	305 x 305 (12 x 12)	Riveted	2	6-7
JPW16205	ST16EIC	305 x 406 (12 x 16)	Riveted	2	6-8

*Boat size is recommended only

Part No.	BM Part No.	Span/Chord	Act. Per Tab
		mm (inch)	

Complete Kits with EIC

JPW16180	XPT1218EIC	305 x 457 (12"x18")	1
JPW16181	XPT1520EIC	381 x 508 (15"x20")	1
JPW16182	XPT1824EIC	457 x 610 (18"x24")	2
-	BXT	Custom	2
-	SST	Custom	2

Complete Kits with AutoTrim Pro

JPW16183	XPT1218ATP	305 x 457 (12"x18")	1
JPW16184	XPT1520ATP	381 x 508 (15"x20")	1
JPW16185	XPT1824ATP	457 x 610 (18"x24")	2
-	BXT	Custom	2
-	SST	Custom	2

HELM DISPLAYS & CONTROLS (HYDRAULIC SYSTEMS)



Electronic Indicator Control Kit

Three features combined into one sophisticated control — soft-touch helm control, trim tab indicator and the auto tab retractor feature. Water resistant, highly accurate and features variable intensity LEDs for night or day.

Kits include:

- 1 or 2 x EIC display (EIC001)
- 1 x 12V EIC Relay Module (EIC101 or EIC102)
- 2 x Upper hinge sensors with 10' wire (EIC901P and EIC901S)
- 1 x 20' EIC cable (EIC201)
- 1 x EIC hardware pack (EIC501)
- Additional display, wiring, and junction box included with dual station kits

Features include:

- Features a relay module mounted near the transom which simplifies installation by reducing the number of wires to run to the helm
- Automatic trim tab retractor protects tabs from damage
- Water resistant keypad and connectors



Part No.	BM Part No.	Description
JPW16259	EIC5000	Electronic Indicator Control Kit 12V
JPW16263	EIC5000A	EIC with Bridge Control (Two displays) 12V
JPW16261	EIC50002	Electronic Indicator Control Kit 24V
JPW16266	EIC5000A2	EIC Kit with Bridge Control (Two displays) 24V

NMEA2000

See the position of your trim tabs on your NMEA 2000 compatible multi-function display or gauge, GPS/chartplotter or sonar.

Kits include:

- 1 x White plastic clip (ATC9)
- 6 x Red butt connectors (THB6)
- 1 x NMEA1 Sensor (EP30)
- 2 x Upper Hinges with coil (CC3003S and CC3003P)
- 2 x sensor rods
- Controls not included



Part No.
JPW16172

Euro-Style Rocker Switch Control

This control is ergonomically designed, water resistant and provides a distinctive "click" when the trim tabs are engaged.



Retail packaging

Part No.	BM Part No.	Description
JPW16170	ES2000	Euro-style Rocker Switch Control

Auto Tab Control Kit

Add auto tab control to your existing trim tab controls! The Auto Tab Control dials in the perfect running attitude. Just turn it on and it does the rest. The ATC constantly monitors your boat's position and uses your trim tabs to maintain a perfect cruising attitude.

Kits include:

- 1 x ATC Control Unit (AC3400)
- 1 x ATC Keypad (AC3250)
- 1 x Relay Module
- 1 x 6' ATC Keypad Cable (AC3250)
- 1 x ATC Hardware (AC3200)
- 1 x 6' ATC Wire Harness (WH3006)
- 1 x ATC Power Pigtail (AC3121)
- 1xPigtail for Wire Harness (PT109)
- Additional display and hardware included with dual station kits

Features include:

- Saves fuel and creates the perfect ride
- Easy plug 'n' play installation



Retail packaging

Part No.	BM Part No.	Description
JPW16069	AC3000	(ATC) Auto Tab Control Kit 12V
JPW16072	AC3000A	(ATC) with Bridge Control (Two displays) 12V
JPW16071	AC30002	(ATC) Auto Tab Control Kit 24V
JPW16073	AC30002A	(ATC) with Bridge Control (Two displays) 24V
JPW16074	AC3EIC	(ATC) Auto Tab Control Kit for EIC 12/24V
JPW16075	AC3EICA	(ATC) for EIC with Bridge (Two displays) 12/24V

HELM CONTROLS (ELECTRIC SYSTEMS)

BOLT Soft-Touch Control

Complete your Bolt Trim Tab System with the waterproof, silicone soft-touch BOLT control, available with or without tab position indication.

Kits include:

- 1 x Bolt Helm Control (BCI8700 or BCN6700)
- 1 x Relay Module (BCI8500 or BCN6500)
- 1 x Hardware Bag

Features include:

- Auto Tab Retractor (Tabs retract when ignition shuts off)
- Water resistant keypad and connectors
- Completely "plug 'n' play", no need to run additional wiring back to the transom for easy installation
- Diagnostics Relay Module incorporates LED status indicators simplifying installation and troubleshooting



JPW16322
Helm Control



JPW16321
Helm Control



Retail packaging

Part No.	BM Part No.	Description
JPW16322	BCI8000	Bolt Soft Touch Helm Control with Indication
JPW16321	BCN6000	Bolt Soft Touch Helm Control

BOLT Rocker Control

This control is ergonomically designed, water resistant and provides a distinctive "click" when the trim tabs are engaged.

Features include:

- Distinctive click action for precise trim tab adjustment
- Economical and easy installation



Retail packaging

Part No.	BM Part No.	Description
JPW16320	BRC4000	Bolt Rocker Control

AUTOTRIM PRO



All-in-one Trim Tab Control System

AutoTrim Pro is an all-in-one trim tab control system designed for boats of all sizes—packing in a boatload of essential features into an easy-to-use, space-saving keypad. Reduce bow rise, improve visibility, correct listing—automatically.

Kits include:

- 1 x ATP Helm Display (ATPDISP)
- 1 x ATP Control Unit (ATPHYDCTRL or ATPBOLTCTRL)
- 1 x 25' Extension Cable
- Required Hardware



Features include:

- Compatible with Bennett hydraulic or electric trim tab systems, and most non-Bennett trim tab systems.
- Auto Trim Tab Control with favorite buttons
- Take manual control of your trim tabs any time
- Trim tab position indication with adjustable L.E.D.s
- Auto tab retraction when ignition is powered off
- OEM Customizable response time



Retail packaging

Part No.	BM Part No.	Description
JPW16058	AP000A1HA	(ATP) AutoTrim Pro for Hydraulic Systems
JPW16059	AP000A1BC	(ATP) AutoTrim Pro for Electric Systems

Put Your Trim Tabs on Cruise Control

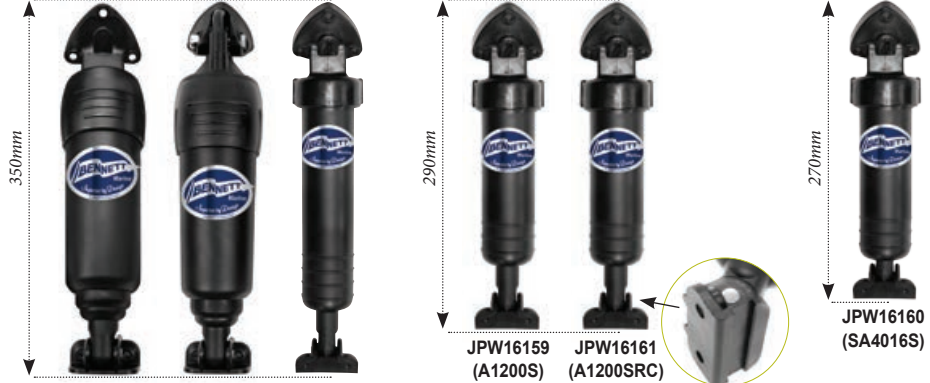
▶ Watch the video
BennettTrimTabs.com/ATP



ACTUATORS & TRIM PLANE ASSEMBLIES

Actuators

Bennett actuators are built to last, maintenance-free, and backed by Bennett's legendary support. All models provide a 2.5" (63.5mm) stroke.



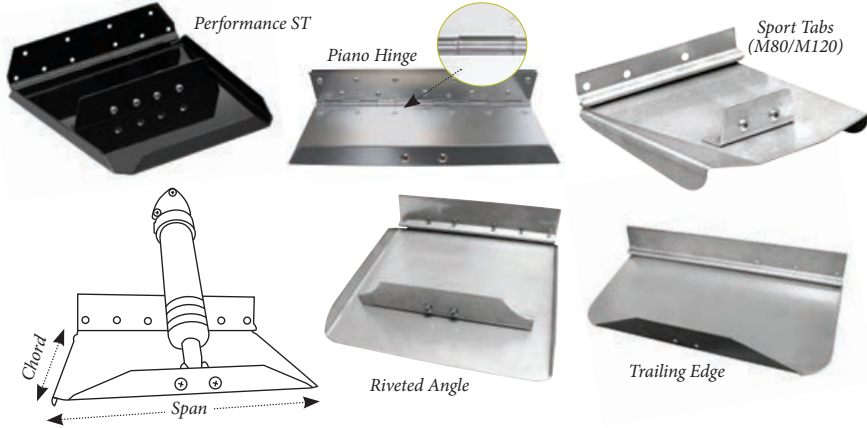
Rivet clear hinge, used when mounting bracket is located back from tab end eg: M80/M120 Tabs

Part No.	BM Part No.	Description	Power	Warranty
JPW16154	SSA	Premier Line Hydraulic SSA Actuator for SST Systems	Hydraulic	3 Years
JPW16155	BXA	Premier Line Hydraulic BXA Actuator for XPT & BXA Systems	Hydraulic	3 Years
JPW16332	BEA2000	Bolt Electric Actuator with Fixed Upper Hinge	Electric	Lifetime Limited
JPW16334	BEA3000	Bolt Electric Actuator with Adjustable Upper Hinge	Electric	Lifetime Limited
JPW16157	A1101A	Standard Hydraulic Actuator (340mm overall length)	Hydraulic	Lifetime Limited
JPW16159	A1200S	Short Hydraulic Actuator (290mm overall length)	Hydraulic	Lifetime Limited
JPW16161	A1200SRC	Short Hydraulic Actuator with Rivet Clear Hinge (M80/M120)	Hydraulic	Lifetime Limited
JPW16160	SA1016S	Extra Short Hydraulic Actuator (270mm overall length)	Hydraulic	Lifetime Limited

Actuator variations not shown: A1101EX (JPW16158) w/ External line, A1101CP (JPW16157P) or A1101CS (JPW16157S) Actuator w/10' Sensor Wire for TPI or NMEA, A1101CSEIC (JPW16160P) or A1101CPEIC (JPW16160S) Actuator w/Sensor 10' red wire - for EIC, SLT actuators.

Trim Plane Assemblies

Made of high quality 12 or 14 gauge 304 stainless steel. Each assembly (for one side of the boat) includes a trim plane, hinge plate and backing plate.



Part No.	BM Part No.	Span/Chord mm (inch)
----------	-------------	-------------------------

Riveted Angle

JPW16080	TPA1212	(12 x 12)
JPW16084	TPA1812	(18 x 12)
JPW16088	TPA2412	(24 x 12)
JPW16090	TPA3012	(30 x 12)
JPW16092	TPA3612	(36 x 12)
JPW16093	TPA4212	(42 x 12)
JPW16095	TPA4812	(48 x 12)
JPW16097	TPA5412	(54 x 12)

Trailing Edge

JPW16078	TPA129	(12 x 9)
JPW16083	TPA189	(18 x 9)
JPW16087	TPA249	(24 x 9)
JPW16089	TPA309	(30 x 9)
JPW16091	TPA369	(36 x 9)
JPW16085	TPA429	(42 x 9)
JPW16096	TPA489	(48 x 9)

Part No.	BM Part No.	Span/Chord mm (inch)
----------	-------------	-------------------------

Performance

JPW16098	TPAST9	(12 x 9)
JPW16099	TPAST12	(12 x 12)
JPW16101	TPAST16P	(12 x 16)
JPW16101	TPAST16S	(12 x 16)

Piano Hinge

JPW16088	TPA124	(12 x 4)
----------	--------	----------

Sport Tabs (M80/M120)

JPW16231	TPAM80	(8 x 10)
JPW16230	TPAM120	(10 x 12)

Assembly Components



Trim Plane Assemblies (TPA) consist of 3 main components which can all be ordered separately. When ordering separately, simply swap "TPA" with the below acronyms.

Eg: BP12 is a 12" Backing Plate Only.

BP - Backing Plate Only; HP - Hinge Plate Only; TPO - Trim Plane Only



SELF-LEVELING TRIM TABS & HATCH LIFTERS

Self-Leveling Tabs (SLT)

A simple, durable and affordable trimming solution for smaller boats. Quick and easy installation with nothing to do inside the boat – just mount the actuators and trim tabs on the transom and enjoy the benefits.

Kits include:

- 2 x 14 gauge stainless steel tabs with Bennett's exclusive interlocking hinge
- 2 x Strong, durable actuators
- All stainless steel hardware

Features include:

- Three mounting options to easily change lift
- Plane at lower speeds
- Improve fuel efficiency
- Eliminate porpoising and chine walking
- Reduce engine laboring and improve fuel efficiency



Retail packaging

Part No.	BM Part No.	Description
JPW16055	SLT6	SLT6 - Small Boats up to 17' (5m) 60 lb. Spring
JPW16056	SLT10	SLT10 - Small Boats 17' (5m) & up 90 lb. Spring

Hatch Lift Systems

Using proven hydraulic technology, Bennett Hatch Lifter Systems raise hatches at the push of a button. The operation is quiet, smooth and responsive with no cylinder drift.

Features include:

- 250 lbs. of vertical lifting capability
- Stainless steel shaft, inside a black anodized aluminium cylinder
- Dual cylinder systems can move simultaneously or independently



Part No.	BM Part No.	Description
----------	-------------	-------------

Single Acting Cylinders

JPW16391	HL12C	12" Stroke Single Acting Cylinder
JPW16392	HL18C	18" Stroke Single Acting Cylinder
JPW16393	HL24C	24" Stroke Single Acting Cylinder

Dual Acting Cylinders

JPW16396	HL12CDA	12" Stroke Dual Acting Cylinder
JPW16397	HL18CDA	18" Stroke Dual Acting Cylinder
JPW16398	HL24CDA	24" Stroke Dual Acting Cylinder

Common Hatch-lifter Replacement Parts

JPW16401	V351V	1-valve Hydraulic Power Unit (12V)
JPW16402	DAHPU	Dual Acting Hydraulic Power Unit (12V)
JPW16403	RS1001HL	Single Rocker Switch with Bezel
JPW16404	MKHL1000	Cylinder Mounting Kit (Includes mounting brackets & hardware)

For a complete list of hatch lifter sets, visit BennettTrimTabs.com

Watch the video
BennettTrimTabs.com/SLT

COMMON REPLACEMENT PARTS & ACCESSORIES



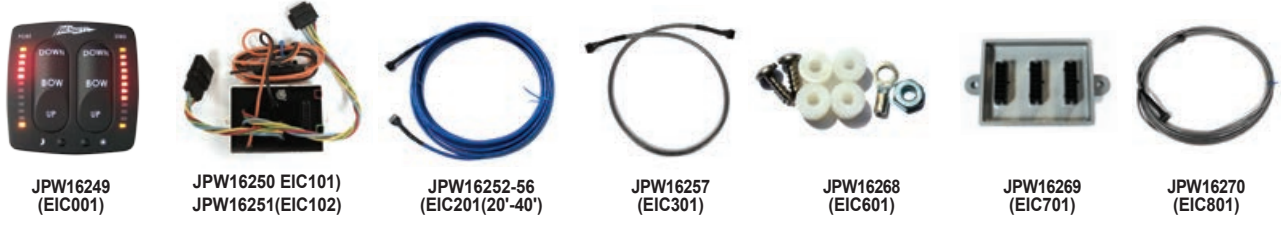
18 JPW16136 (A1103) JPW16137 (A1103EX) 20 JPW16157 (A1101A) (A1109) 23 JPW16142 (A1113) 22 JPW16141 (A1115) (A1117)



JPW16161 (A1200SRC) (AC3250) AC32506/AC325022 (AC3400) JPW16062 (AR512) JPW16063 (AR524) (ATC9)



ATPHYDCTRL JPW16060 (ATPSENSTD) JPW16350-53 (BAW20(05'-20')) JPW16342 (BC18500) JPW16341 (BCN6700) JPW16333 (BEA2100) JPW16360-63 (BHW40(03'-10'))



JPW16249 (EIC001) JPW16250 EIC101) JPW16251(EIC102) JPW16252-56 (EIC201(20'-40')) JPW16257 (EIC301) JPW16268 (EIC601) JPW16269 (EIC701) JPW16270 (EIC801)



JPW16197 (H1170A) JPW16198 (H1170B) 17 JPW16133-35 (H1171-(2'-5")) 16 JPW16131 (H1172) 19 JPW16138 (H1174)



36 JPW16151 (H1178) 5 JPW16118 (H1179) PT109 / PT110 JPW16247 (PT950P) JPW16248 (PT950S) JPW16174 (RM12) JPW16175 (RM24) 14 JPW16129 (T112520)

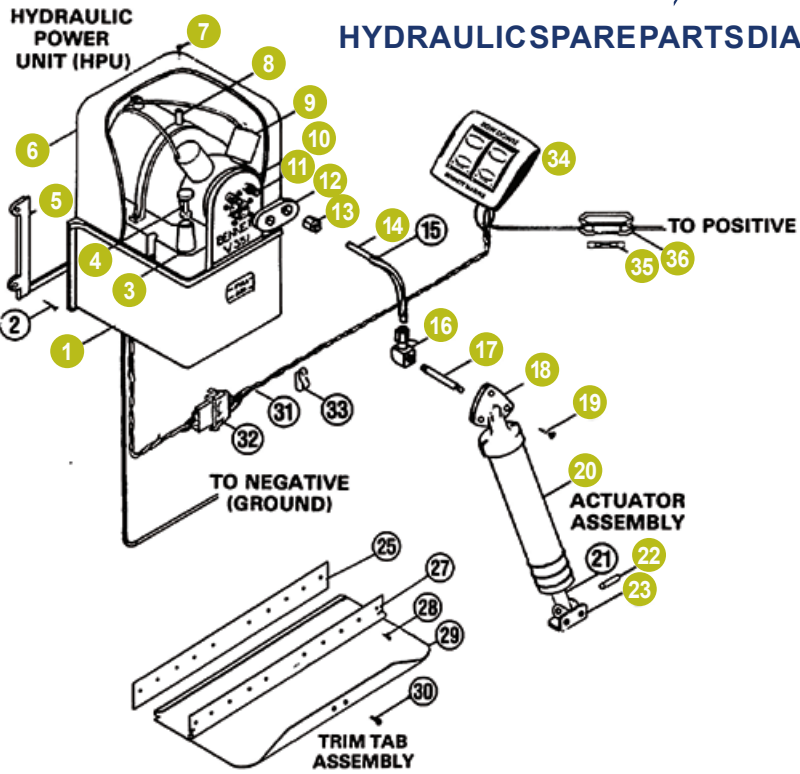


10 JPW16122 (VP1135G) JPW16282 (VP1135G24V) 9 JPW16123 (VP1135R) JPW16283 (VP1135R24V) 6 JPW16119 (VP113) 1 JPW16115 (VP1139) 4 JPW16117 (VP1140)



11 JPW16164 (VP1144) JPW16125 (VP1146) 7 (VP1154) JPW16236 (VP1159) JPW16237 (VP1160) JPW16238 (VP1161) (12V) JPW16162 (VP351HPU1) (24V) JPW16163 (VP351HPU1)

HYDRAULIC SPARE PARTS DIAGRAM



JPW16191
(A1120)

JPW16192
(A1121)



ATPBOLTCTRL

ATPDISP / ATPDISPBR



JPW16166
(CC3003-P)

JPW16168
(CC3003-S)

(EH1071)



JPW16275 (EIC901P)
JPW16278 (EIC901S)

34 JPW16170
(ES2000)



(H1175)

35 (H1176)



JPW16128
(T1126)

13 JPW16127
(T1127)



12 JPW16124
(VP1141)

8 JPW16121
(VP1142)



31 JPW16145
(WH100022)

(WH3006)

Part No.	BM Part No.	Description
JPW16136	A1103	Hydraulic Upper Hinge with O-ring
JPW16137	A1103EX	Hydraulic Actuator Upper Hinge - External Line
JPW16157	A1101A	Standard Length Hydraulic Actuator
-	A1109	Piston with O-ring
JPW16142	A1113	Hydraulic Actuator Lower Hinge
JPW16141	A1115	Lower Hinge Pin
-	A1117	Small Actuator Piston with O-ring
JPW16191	A1120	Actuator Upper Hinge O-Ring
JPW16192	A1121	Actuator Piston O-Ring
JPW16161	A1200SRC	Short Hydraulic Actuator
-	AC3250	ATC Keypad
-	AC32506	ATC 6' Keypad Cable
-	AC325022	ATC 22' Keypad Bridge Cable
-	AC3400	ATC Control Unit
JPW16062	AR512	Auto Tab Retractor 12V (Black Podding)
JPW16063	AR524	Auto Tab Retractor 24V (Tan Podding)
-	ATC9	White PVC Clip for Actuators
-	ATPBOLTCTRL	AutoTrim Pro Control Unit (Electric)
-	ATPDISP	AutoTrim Pro Helm Display
-	ATPDISPBR	AutoTrim Pro Helm Display (Bridge)
-	ATPHYDCTRL	AutoTrim Pro Control Unit (Hydraulic)
JPW16060	ATPSENSTD	AutoTrim Pro Standard Sensor Kit
JPW16350-53	BAW20(05'-20')	5', 10', 15', or 20' Wire Harness
JPW16342	BCI8500	BCI Relay Module (Black Cover)
JPW16340	BCN6500	BCN Relay Module (White Cover)
JPW16341	BCN6700	Helm Keypad (Non-Indicator)
JPW16333	BEA2100	Bolt Actuator Upper Hinge Spacer
JPW16360-63	BHW40(03'-10')	3', 5', 7', or 10' Helm Keypad Wire Ext.
JPW16166	CC3003-P	Actuator Upper Hinge w/Coil - Port
JPW16168	CC3003-S	Actuator Upper Hinge w/Coil - Stbd.
JPW16249	EIC001	EIC Control/Display
JPW16250	EIC101	EIC Relay Module 12V (Black Podding)
JPW16251	EIC102	EIC Relay Module 24V (Tan Podding)
JPW16252-56	EIC201(20'-40')	EIC 20', 25', 30', 35' or 40' Wire Harness
JPW16257	EIC301	EIC 4' Wire Harness
JPW16268	EIC601	EIC Bridge Hardware Pack
JPW16269	EIC701	EIC Bridge Junction Box
JPW16270	EIC801	EIC Bridge Wire Harness 20'
JPW16275	EIC901P	EIC Port Upper Hinge w/ 10' Sensor Wire
JPW16278	EIC901S	EIC Stbd Upper Hinge w/ 10' Sensor Wire

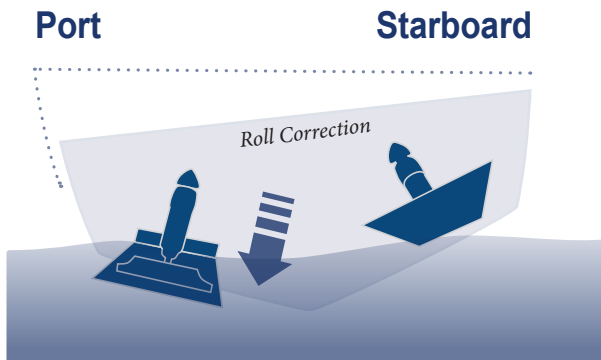
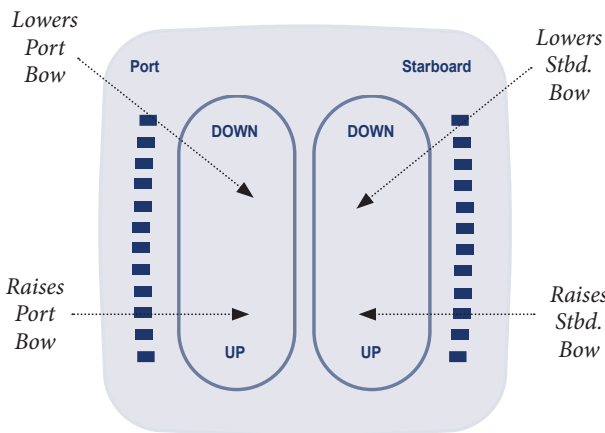
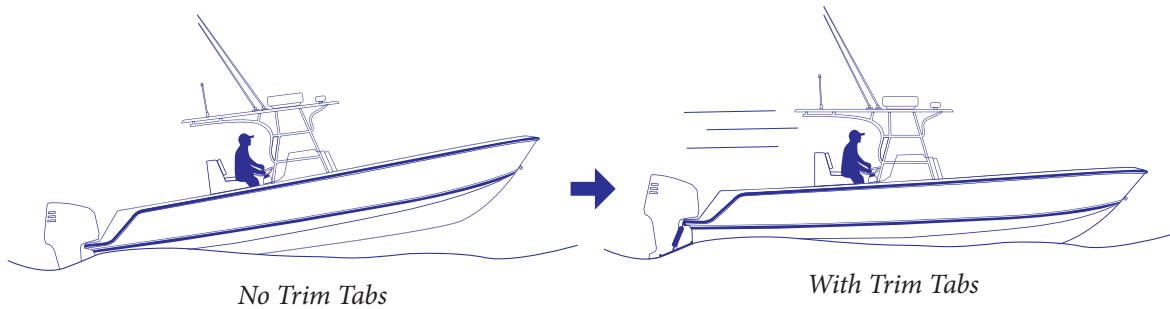
Part No.	BM Part No.	Description
JPW16170	ES2000	Hydraulic Euro-style Rocker Switch
JPW16197	H1170A	Hydraulic Trim Tab Hardware Pack
JPW16198	H1170B	Dual Actuator Hardware Pack
JPW16133-35	H1171-(3,4)	3" & 4" Pipe Nipples (2" & 5" also available)
JPW16131	H1172	Female Elbow
JPW16138	H1174	#14 x 1-1/2" Full Threaded Screw
-	H1175	1/4 - 20 x 3/4" Machine Screw
-	H1176	20 Amp Fuse
JPW16151	H1178	Fuse Holder
JPW16118	H1179	Mounting Bracket for HPU
-	PT109	Pigtail for Wire Harness
-	PT110	Pigtail for HPU or Control
JPW16247	PT950P	EIC Port Pigtail
JPW16248	PT950S	EIC Starboard Pigtail
JPW16174	RM12	Relay Module 12V (Auto Tab)
JPW16175	RM24	Relay Module 24V (Auto Tab)
JPW16129	T112520	Hydraulic Tubing (20')
JPW16128	T1126	Brass Line Tee Fitting
JPW16127	T1127	Nut with Ferrule
JPW16122	VP1135G	Solenoid Valve 12V- Green Wire (Stbd.)
JPW16282	VP1135G24V	Solenoid Valve 24V- Green Wire (Stbd.)
JPW16123	VP1135R	Solenoid Valve 12V - Red Wire (Port)
JPW16283	VP1135R24V	Solenoid Valve 24V - Red Wire (Port)
JPW16119	VP1138	Lexan Cover
JPW16115	VP1139	Fluid Reservoir
JPW16117	VP1140	Filler Plug
JPW16124	VP1141	Hex Retainer
JPW16121	VP1142	Motor Strap
JPW16164	VP1144	HPU Face Plate
JPW16125	VP1146	1/8" Pipe to 1/4" Pipe Tube Connector
-	VP1154	#8 x 3/4" Phil Pan Sheet Metal Screw
JPW16236	VP1159	Valve Seat with O-Ring
JPW16237	VP1160	HPU Valve Spring
JPW16238	VP1161	HPU Valve Plunger
JPW16162	VP351HPU1	Hydraulic Power Unit (Pump)
JPW16145	WH100022	Standard 22' Wire Harness

HOW TRIM TABS WORK

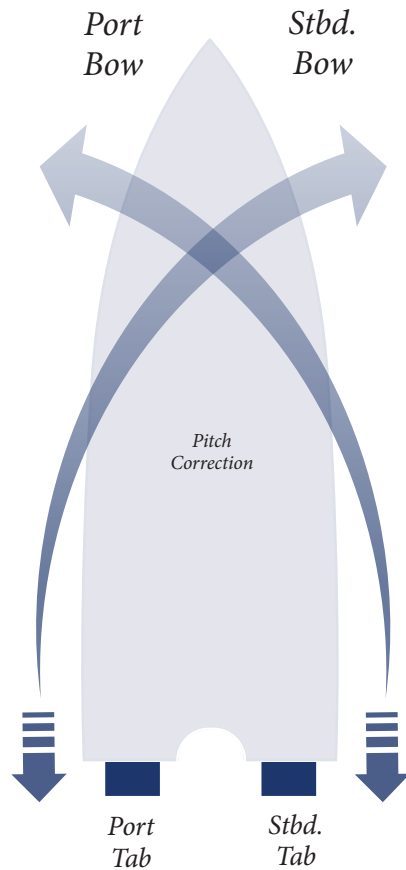
When the tabs are deployed downward, the water force on the trim tab surface creates upward pressure, raising the stern and lowering the bow. The port trim tab lowers the starboard bow, and the starboard trim tab lowers the port bow. The control is intuitively wired so that all you have to do is press the button in the direction you want the bow to move.

Properly sized trim tabs improve the performance of your boat by adjusting the running angle of your vessel. Bennett Marine trim tabs help you get on plane faster, correct listing to one side, improve visibility and increase your fuel efficiency.

- Get you up on plane quickly
- Increase performance and fuel efficiency
- Increase visibility
- Adjust the boat's attitude for changes in speed, sea conditions and shifting weight
- Correct listing on either side of the boat



When the port tab is lowered independently, an upward force at the port stern of the boat is created. The inverse applies when lowering the stbd. tab independently.



THRUSTERS 21

QUICK BOW THRUSTERS

BTQ 110	320
BTQ 125	320
BTQ 140	320
BTQ 185	321
BTQ 185 Double Propeller	321
BTQ 250 Double Propeller	321
BTQ 300 Double Propeller	322

ACCESSORIES

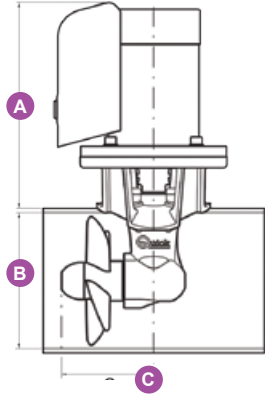
Bow & Stern Thruster Tunnels	322
Bow Thruster Propellers	323
Control Cable Extensions	323
Handheld Radio Remote Controls & Receivers	324
Pocket Transmitters	324
Spare Elastic Joints	323
Thruster Anode Kit	323
Thruster Controllers	323
Thruster Fuses & Fuse Holders	323



Thruster BTQ 110 Complete Kit

- Single propeller.
- 12V 1.3kW.
- Tunnel diameter: 110mm.
- Tunnel length: 750mm.
- Boat size: 5-7.5m.
- Sold and packaged in kit form.

Available with IP67 rated protection case (BTQ 110-25 C)

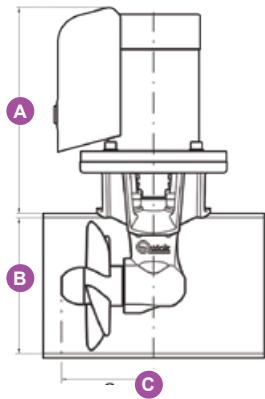


Part No.	Volt.	Motor Power (Kw)	Thrust (kgf)	Boat Size (m)	Weight (kg)	Dimensions (mm)		
						A	B	C
QFGBT11025120K01	12	1.3	25	5-7.5	9.8	258	110	84

Thruster BTQ 125 Complete Kit

- Single propeller.
- 12V 1.5, 2.2kW
- Tunnel diameter: 125mm.
- Tunnel length: 750mm.
- Boat size: 6-9m.
- Sold and packaged in kit form.

Available with IP67 rated protection case (BTQ 125-30 C) (BTQ 125-40 C)

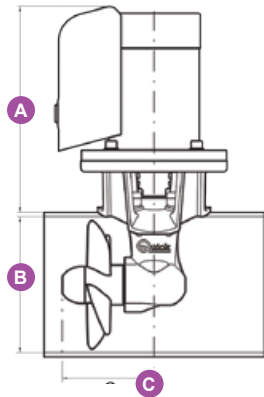


Part No.	Volt.	Motor Power (Kw)	Thrust (kgf)	Boat Size (m)	Weight (kg)	Dimensions (mm)		
						A	B	C
QFGBT12530120K01	12	1.5	30	6-8.5	18	258	125	84
QFGBT12540120K01	12	2.2	40	7-9	18.3	258	125	84

Thruster BTQ 140

- Single propeller.
- 12V 1.5/2.2kW.
- Tunnel diameter: 140mm.
- Tunnel length: 750mm.
- Boat size: 7-9.5m.

Available with IP67 rated protection case (BTQ 140-30 C) (BTQ 140-40 C)



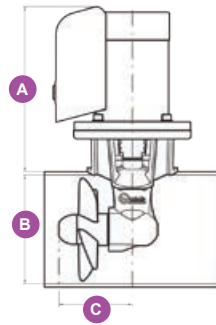
See page 323-324 for Options and Accessories



Part No.	Volt.	Motor Power (Kw)	Fuse Size (A)	Thrust (kgf)	Boat Size (m)	Weight (kg)	Dimensions (mm)		
							A	B	C
QFGBT14030120A00	12	1.5	200	30	7-8.5	11.8	268	140	108
QFGBT14040120A00	12	2.2	300	40	7-9.5	12.4	268	140	108

Thruster BTQ 185

- Single propeller.
- 12/24V 3/4/6kW.
- Tunnel diameter: 185mm.
- Boat size: 8-15m.



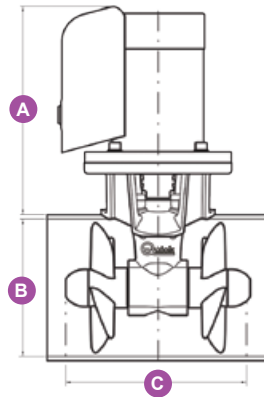
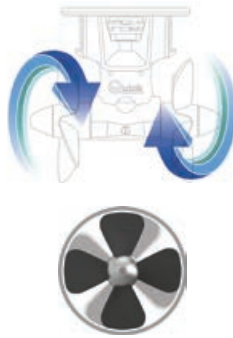
See page 323-324 for Options and Accessories

Part No.	Volt.	Motor Power (Kw)	Fuse Size (A)	Thrust (kgf)	Boat Size (m)	Weight (kg)	Dimensions (mm)		
							A	B	C
QFGBT18055120A00	12	3	355	55	8-11	17.2	292	185	123
QFGBT18055240A00	24	3	200	55	8-11	17.5	278	185	123
QFGBT18075120A00	12	4	500	75	10-13	17.5	329	185	123
QFGBT18075240A00	24	4	325	75	10-13	20.5	280	185	123
QFGBT18095120A00	12	6	325A x 2	95	12-15	27.2	410	185	123
QFGBT18095240A00	24	6	355	95	12-15	24.4	374	185	123

Thruster BTQ 185DP

- Double propeller.
- 12/24V 4.3/6.3kW.
- Tunnel diameter: 185mm.
- Boat size: 10-15m.

DOUBLE PROPELLER



See page 323-324 for Options and Accessories

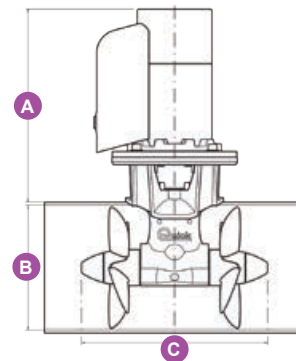
Part No.	Volt.	Motor Power (Kw)	Fuse Size (A)	Thrust (kgf)	Boat Size (m)	Weight (kg)	Dimensions (mm)		
							A	B	C
QFGBT18085120A00	12	4.3	500	85	10-15	18.3	329	185	265
QFGBT18085240A00	24	4.3	355	85	10-15	21.3	280	185	265
QFGBT18105120T00	12	6.3	325A x 2	105	12-15	28	410	185	265
QFGBT18105240T00	24	6.3	400	105	12-15	25.2	374	185	265



Thruster BTQ 250DP

- Double propeller.
- 12/24V 6.5/8/10kW.
- Tunnel diameter: 250mm.
- Boat size: 13-21m.

DOUBLE PROPELLER



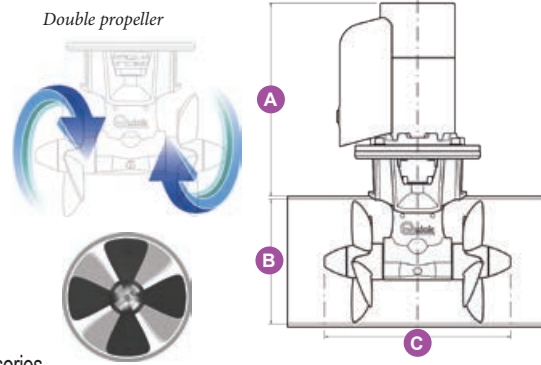
See page 323-324 for Options and Accessories

Part No.	Volt.	Motor Power (Kw)	Fuse Size (A)	Thrust (kgf)	Boat Size (m)	Weight (kg)	Dimensions (mm)		
							A	B	C
QFGBT25120240A00	24	6.5	400	120	13-17	36.6	390	250	373
QFGBT25140240A00	24	8	400	140	14-18	39.5	385	250	373
QFGBT25240240A00	24	10	300A x 2	240	16-21	50	481	250	373



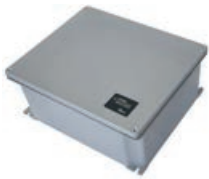
Thruster BTQ 300DP

- Double propeller.
- 24V 10kW.
- Tunnel diameter: 300mm (11.8").
- Boat size: 20-26m (65-85ft).



See page 323-324 for Options and Accessories

Part No.	Volt.	Motor Power (Kw)	Fuse Size (A)	Thrust (kgf)	Boat Size (m)	Weight (kg)	Dimensions (mm)		
							A	B	C
QFGBT30250240A00	24	10	275A x 2	250	20-26	48	410	300	436



PSS Parallel - Serial Switch 24/48V

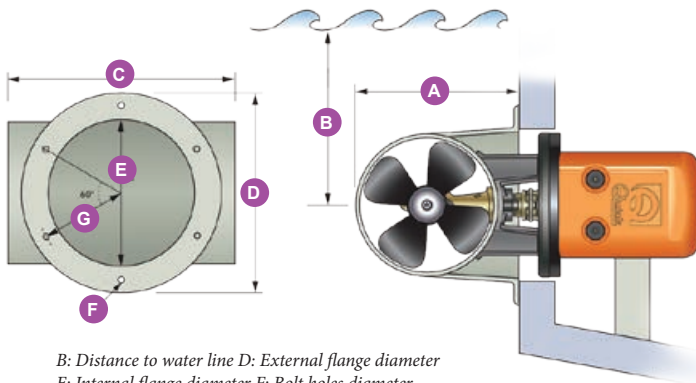
This device allows the installation of a thruster with a 24 or 48 Vdc motor on boats with 12 or 24 Vdc electrical system through the use of a battery group (12V or 24v) added.

PSS24 - Parallel-serial electronic switch 12-24V

PSS48 - Parallel-serial electronic switch 24-48V

Bow & Stern Thruster Tunnels

Solid fibreglass bow tunnels are available in a variety of diameters and lengths to suit most common applications. A special 'T' shaped tunnel has been specifically designed for stern thruster applications.



B: Distance to water line D: External flange diameter
E: Internal flange diameter F: Bolt holes diameter
G: Bolt position radius from the centre

Bow Tunnel

Part No.	Dia (mm)	Length (mm)
QSAPVTL140075	140	750
QSAPVTL140100	140	1000
QSAPVTL140150	140	1500
QSAPVTL140200	140	2000
QSAPVTL140300	140	3000
QSAPVTL185075	185	750
QFGTLV1850100A00	185	1000
QSAPVTL185150	185	1500
QFGTLV1850200A00	185	2000
QSAPVTL185300	185	3000
QFGTLV2500100A00	250	1000
QFGTLV2500150A00	250	1500
QSAPVTL250200	250	2000
QSAPVTL250300	250	3000
QSAPVTL300100	300	1000
QSAPVTL300150	300	1500
QSAPVTL300200	300	2000
QSAPVTL300300	300	3000

Stern Tunnel

Part No.	Model	Propellers	Tunnel Dia (mm)	Dimension (mm)						
				A	B	C	D	E	F	G
QFGTLPV140000A00	BTQ140	Single	140	176	130	250	250	158	9	105
QFGTLPV185000A00	BTQ185	Single	185	260	170	340	300	210	11	128
QFGTLPV250000A00	BTQ250	Double	250	325	230	420	380	255	11	160
QFGTLPV300000A00	BTQ300	Double	300	380	280	490	380	255	11	160

Thruster Controller

Remote control panels are available in either standard touch pad or joystick model, with all microprocessor and electronic functions controlled from the one point.

- Low power consumption (10mA - at rest).
- Extension cables are available in 6m to 24m.
- Dual station splitting cable is available for installation of a second controller, when used with the extension cables.
- Operating temperature: -20 to 70°C.

QFNTCD1062000A00
Single Thruster Joystick
with Circuit Breaker



IP65



QFNTCD1044000C00
Double Thruster Joystick



IP66



QFNTCD1022000C00
Thruster Touch-button Pad

IP66



QFNTCD1042000E00
Single Thruster Joystick

IP66

Part No.	Current Capacity	Supply Volt. (Vdc)	Dimensions (mm) (L x W x H)	Weight (g)
QFNTCD1022000C00	4A (max)	8 - 31	78 x 78 x 22	80
QFNTCD1042000E00			78 x 78 x 113	140
QFNTCD1044000C00			78 x 131 x 113	250
QFNTCD1062000A00			78 x 131 x 113	260

Control Cable Extensions For TCD & Splitter To Suit TCD Controllers



Splitter to suit TCD controllers



Control cable extension leads with connections

Part No.	Type	Length (m)
QFNTCDEX06000A00	Control Cables	6
QFNTCDEX12000A00	Control Cables	12
QFNTCDEX18000A00	Control Cables	18
QFNTCDEX24000A00	Control Cables	24
QFNTCDSP00000A00	Splitter to suit TCD Controllers for use with second controller	

Thruster Fuse Holder

Fuse holders to suit Quick's CNL fuses us with installation of thrusters.



Part No.	Holder
QFVEPTFH3000A00	Fuse Holder - TFH3

Thruster Fuses

CNL DIN replacement fuses to suit the range of Quick BTQ, BTQR and BTQH bow thrusters.



Part No.	Amps	Part No.	Amps
QFVEFF125CNLDA00	125A	QFVEFF275CNLDA00	275A
QFVEFF150CNLDA00	150A	QFVEFF325CNLDA00	325A
QFVEFF175CNLDA00	175A	QFVEFF350CNLDA00	350A
QFVEFF225CNLDA00	225A	QFVEFF400CNLDA00	400A
QFVEFF250CNLDA00	250A	QFVEFF500CNLDA00	500A

Thruster Anode Kit

Anode kits to suit Quick range of bow thrusters.



Part No.	Type	UOM
QFVSGANBTQ140A00	BTQ140	Each
QFVSGANBTQ18AA00	BTQ185	Each
QFVSGANBTQ250A00	BTQ250	Pair
QFVSGANBTQ300A00	BTQ300	Pair

Thruster Elastic Joint

Spare thruster elastic joints to connect between motor and gear box of BTQ model thrusters.



Part No.	Type
QFVSGG1401114A00	BTQ140
QFVSGG1851414A00	BTQ185
QFVSGG2501919A00	BTQ250
QFVSGG3001924A00	BTQ300

Bow Thruster Propellers

Replacement bow thruster propellers to suit Quick's range of bow thrusters. Left- and right-handed rotation on some models.

Part No.	Type
QFVSGEL140000A00	D140
QFVSGEL185000A00	D185
QFVSGEL185L00A00	D185 L
QFVSGEL185R00A00	D185 R
QFVSGEL250L00A00	D250 L
QFVSGEL250R00A00	D250 R
QFVSGEL300L00A00	D300 L
QFVSGEL300R00A00	D300 R



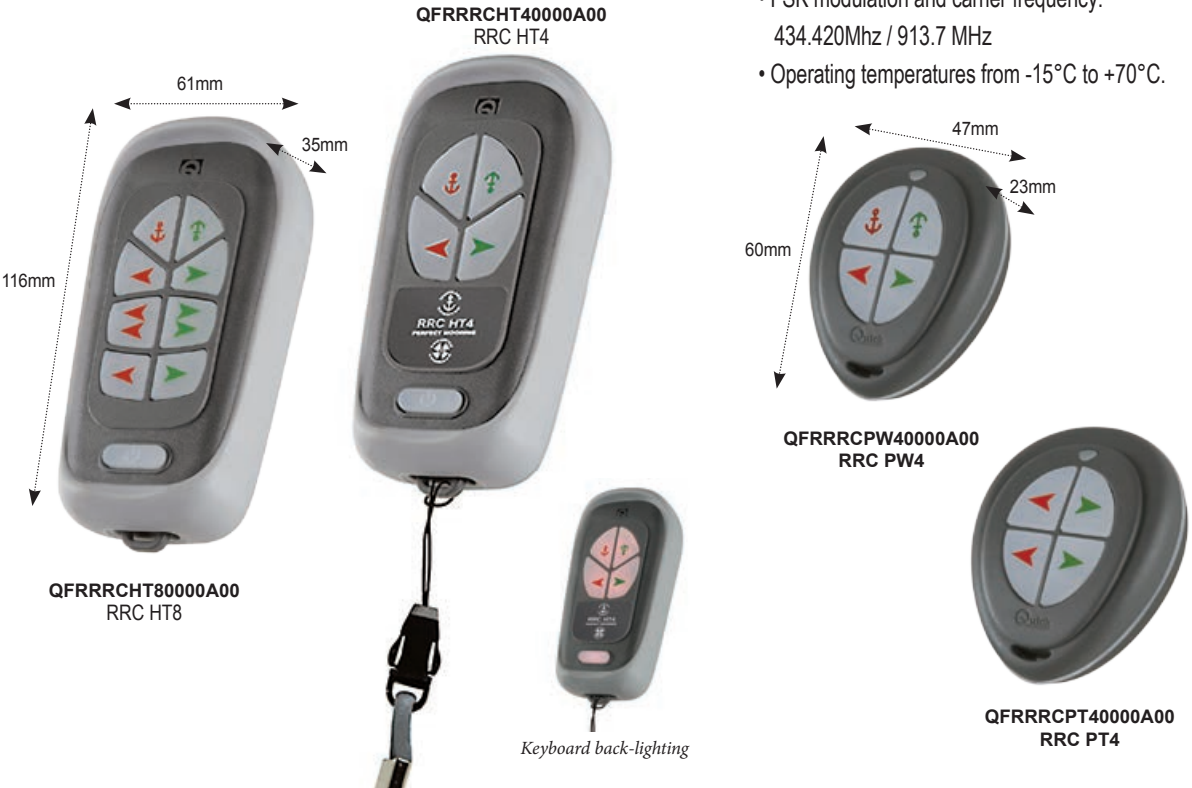


Handheld Radio Remote Controls

- Microcontroller-operated functions.
- Operating temperatures from -15°C to +70°C.
- FSK modulation and carrier frequency: 434.420MHz.
- Works with rechargeable batteries.
- IP67 protection rating.

Pocket Transmitters

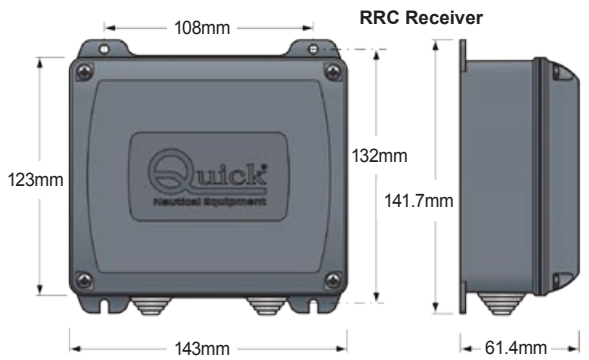
- Microcontroller-operated functions.
- FSK modulation and carrier frequency: 434.420Mhz / 913.7 MHz
- Operating temperatures from -15°C to +70°C.



Part No.	Model	Directive Compliance	Modulation	No. of Keys	Power Supply	Weight With Battery (g)
QFRRRCPT40000A00	RRC PT4	1999/5/CE (R&TTE)	FSK	4	CR2450 3V Lithium Batteries	34
QFRRRCPW40000A00	RRC PW4				3x AAA Rechargeable Batteries NiMH	135
QFRRRCHT40000A00	RRC HT4			8	3x AAA Rechargeable Batteries NiMH	135
QFRRRCHT80000A00	RRC HT8					

Handheld Radio Remote Control Receivers

- Full supply range (from 10.5 to 31VDC).
- Operating temperatures from -15°C to +70°C.
- Micro-controller operated functions.
- Indication of the system operating status, errors and problems by means of LED and seven-segment display.
- Protection against polarity inversion.
- Protection against the discharge of the battery.
- Can store 50 transmitters.
- Translation mode to activate more receivers, installed to different sports, by means of one transmitter.
- Programmable digital filter.
- Two functions can be activated at the same time.
- Possible connection to an external antenna.
- Replay contact rating: 15A.
- 25mA quiescent current.



Part No.	Directive Compliance	Modulation	No. of Relays	Quiescent Current	Weight With Battery (g)
QFRRRCR040000B00	1999/5/CE (R&TTE)	FSK	4	25mA	300g
QFRRRCR080000B00			8		370g



MAINTENANCE PRODUCTS & OILS 22

POLISHES AND FINISHES

Adhesive Sealants & Silicone	340 - 341
Marine Plastics & Glass Cleaners	334
Polishes, Compounds, Glazes & Waxes	337 - 348

CLEANING & MAINTENANCE PRODUCTS

Aluminium Cleaner	334
Anti-Foul Strippers	332
Barbecue Cleaner & Stove Fuel	333
Deck Brush & Mop Cleaning Kits	334
Deks Varnish, Wood Cleaner & Penetrol	345
Fuel Additives	331
Gelcoat Cleaner & Liquid Rust Remover	335 - 336
Hull, Engine and Bilge Cleaners & Scuff Off	332, 337
Inox Lubricant	332
Lanolin & Rust Prevention Coatings	331
Lubricants & Waterproof Grease	331
Marine Wash, Teak Brightener & Cleaner	332
Oil Absorbent Pads & Bilge Pillow Pads	340
Shampoo, Conditioner & Liquid Soap	333
Solvent Degreaser	332, 334
Sticky Off & Bleach	333
Tef-Gel Corrosion Eliminator	330
Toilet Cleaners & Toilechem Blue/Green	333
Weatherproof Protectant	331, 334

3M MAINTENANCE

Body Filler	339
Contact Adhesive	337
Masking Tapes	337
Polishes / Wash	338
Safety Tread	340
Wool Buffing Pads	338

BEL-RAY OILS

2-Stroke Engine Oil	328
4-Stroke Engine Oil	328
Diesel Engine Oil	329
Gear Oil	329
Multi-Purpose Lubricant	330
Rust Preventative	329
Waterproof Grease	330
Sika Products	341
Star Brite Products	342 - 348



Bel-Ray Suggested Replacement / Cross Reference Guide

Upgrade the performance and extend the life of your engine by using Bel-Ray Total Performance Marine Lubricants in your engine and lower unit. You will feel the difference - FLEX YOUR ENGINE! *(Note that this list is a guide only).*



Replaces/Upgrades	Description	Bel-Ray Part No.	Bel-Ray Description
BRP/EVINRUDE			
764357	E-TEC XD 100 2-Cycle Oil, 1 Gal	99721-BT4	HP Synthetic Blend 2T Eng Oil, 4 Litre/1.06 Gal
764365	Ultra 4-Stroke Synthetic Blend, Quart (10W-40)	99751-BT1	4T Semi-Syn EO 10W-40, 1 Litre/33.8 Oz
765146	Evinrude E-TEC XD 100 2-Cycle Oil, Quart	99721-BT1	HP Synthetic Blend 2T Eng Oil, 1 Litre/33.8 Oz
775776	Triple Guard Marine Grease 14Oz Cartridge	99710-CG	EP Waterproof Grease, 414ml/14 Oz cartridge
775777	Triple Guard Marine Grease 1 LB. Tub	99540 -Tb16W	Waterproof Grease - 16 Oz. Tub
778755	HPF Pro Gearcase Lubricant, 32 Oz	99735-BT1	High Performance Gear Oil, 1 Litre/33.8Oz Bottle
778756	HPF Pro Gearcase Lubricant, Gal	99735-BT4	High Performance Gear Oil, 4 Litre/1.06 Gal Bottle
778879	Evinrude Pro Gear Lubricant 5 Gal	99735-PA	High Performance Gear Oil, 20 Litre/5.28 Gal Pail
778879	Evinrude Pro Gear Lubricant 5 Gal	99740-PA	Semi-Syn Gear Oil, 20 Litre/5.28 Gal Pail
293600121	XPS Synthetic Blend Oil 4-Cycle, 5W-40, Qt	99751-BT1	4T Semi-Syn EO 10W-40, 1 Litre/33.8Oz Bottle
293600122	XPS Synthetic Blend Oil 4-Cycle, 5W-40, Gal.	99751-BT4	4T Semi-Syn EO 10W-40, 4 Litre/1.06 Gal Bottle
HONDA			
08207-10W30MFC-W	10W-30 FC-W Honda Marine Engine Oil, Quart	99750-BT1	4T Semi-Syn EO 10W-30, 1 Litre/33.8 Oz Bottle
08209-10W30MFC-W	10W-30 FC-W Honda Marine Engine Oil, Gal	99750-BT4	4T Semi-Syn EO 10W-30, 4 Litre/1.06 Gal Bottle
08734-0003	Marine Multi-Purpose Grease, 14 Oz. cartridge.	99710-CG	EP Waterproof Grease, 414ml/14 Oz cartridge
08739-90W	Outboard Motor Lower Unit Gear Case Oil, Semi-synthetic, Quart	99740-BT1	Semi-Syn Gear Oil, 1 Litre/33.8 Oz Bottle
08739-M0500	Outboard Motor Lower Unit Gear Oil, 80W90, 5 Gal	99740-PA	Semi-Syn Gear Oil, 20 Litre/5.28 Gal Pail
KAWASAKI			
W61020-203A	Performance Jet Ski Watercraft 4-Stroke Oil, 10W-40	99751-BT1	4T Semi-Syn EO 10W-40, 1 Litre/33.8 Oz Bottle
MERCURY MARINE / QUICKSILVER			
92-802863K1	Extreme Grease, 3.5Oz Cart (3pk)	99710-CG3Oz	EP Waterproof Grease, 88.7ml/3Oz cartridge
92-802863K1	2-4-C Grease, 397g/14Oz Cart	99710-CG	EP Waterproof Grease, 414ml/14 Oz cartridge
92-802878Q55	Corrosion Guard - 11 Oz	99708-A400W	Rust Prevent Coating, 400ml/13.5 Oz aerosol
92-858007Q01	Premium Blend Gear Lube 5 Gal	99735-PA	High Performance Gear Oil, 20 Litre/5.28 Gal Pail
92-858008Q01	High Perf. Gear Lube 5G Pail	99735-PA	High Performance Gear Oil, 20 Litre/5.28 Gal Pail
92-858008Q01	High Perf. Gear Lube 5G Pail	99740-PA	Semi-Syn Gear Oil, 20 Litre/5.28 Gal Pail
92-858037K01	Optimax/DFI 2-Cycle Outboard Oil 1 Gal	99721-BT4	HP Synthetic Blend 2T Eng Oil, 4 Litre/1.06 Gal Bottle
92-858042K01	Mercury Diesel Oil 15W-40 1.06 US gal	99761-BT4	Diesel Eng Oil 15W-40, 4 Litre/1.06 Gal Bottle
92-858045K01	4-Stroke Outboard Oil, 1 Litre	99750-BT1	4T Semi-Syn EO 10W-30, 1 Litre/33.8 Oz Bottle
92-858046K01	4-Stroke Outboard Oil, 4 Litre	99750-BT4	4T Semi-Syn EO 10W-30, 4 Litre/1.06 Gal Bottle
92-858047Q01	4-Stroke Outboard OIL, 208 Ltr/55 Gal	99750-DR	4T Semi-Syn EO 10W-30, 208 Litre/55 Gal Drum
92-858048K01	MerCruiser Engine Oil 25W-40, 32 Oz.	99730-BT1	4T Hi Perf Eng Oil 25W-40, 1 Litre/33.8 Oz Bottle
92-858049K01	MerCruiser Engine Oil 25W-40, 1 Gal	99730-BT4	4T Hi Perf Eng Oil 25W-40, 4 Litre/1.06 Gal Bottle
92-858058K01	Premium Gear Lube, 946ml/Quart	99735-BT1	High Performance Gear Oil, 1 Litre/33.8Oz Bottle
92-858064K01	High Performance Gear Lubricant, 946ml/Quart	99735-BT1	High Performance Gear Oil, 1 Litre/33.8Oz Bottle
92-858068K01	High Performance Gear Lubricant, 208L/55 Gal	99735-DR	High Performance Gear Oil, 208 Litre/55 Gal Drum
92-8M0071837K1	2-4-C Grease, 3.5Oz Cart (3pk)	99710-CG3Oz	EP Waterproof Grease, 88.7ml/3Oz cartridge
92-8M0071837K1	Extreme Grease, 397g/14 Oz Cart	99710-CG	EP Waterproof Grease, 414ml/14 Oz cartridge
92-8M0078616	10W-30 4-Stroke Mineral Engine Oil, Qt.	99750-BT1	4T Semi-Syn EO 10W-30, 1 Litre/33.8Oz Bottle
92-8M0078616	10W-30 4-Stroke Mineral Engine Oil, 55 Gal.	99750-DR	4T Semi-Syn EO 10W-30, 208 Litre/55 Gal Drum
92-8M0078617	10W-30 4-Stroke Mineral Engine Oil, Gal	99750-BT4	4T Semi-Syn EO 10W-30, 4 Litre/1.06 Gal Bottle
92-8M0078619	4-Stroke FC-W Mineral Oil 25W-40, 32 Oz.	99730-BT1	4T Hi Perf Eng Oil 25W-40, 1 Litre/33.8 Oz Bottle
92-8M0078620	4-Stroke FC-W Mineral Oil 25W-40, Gal.	99730-BT4	4T Hi Perf Eng Oil 25W-40, 4 Litre/1.06 Gal Bottle
92-8M0078622	4-Stroke FC-W Synthetic Blend Oil 25W-40, 32 Oz.	99730-BT1	4T Hi Perf Eng Oil 25W-40, 1 Litre/33.8 Oz Bottle
92-8M0078623	4-Stroke FC-W Synthetic Blend Oil 25W-40, Gal.	99730-BT4	4T Hi Perf Eng Oil 25W-40, 4 Litre/1.06 Gal Bottle
SUZUKI			
99000-25350	Water Resistant Grease, 8.8 Oz tube	99710-CG	EP Waterproof Grease, 414ml/14 Oz cartridge
990B0-01014	Brake and Contact Cleaner, 18 Oz aerosol	99075-A400W	Contact Cleaner, 400ml/13.5 Oz aerosol
990C0-10W40-DRM	10W-40 Synthetic Blend Engine Oil, 55 Gal	99751-DR	4T Semi-Syn EO 10W-40, 208 Litre/55 Gal Drum

Bel-Ray Suggested Replacement / Cross Reference Guide



Replaces/Upgrades	Description	Bel-Ray Part No.	Bel-Ray Description
990C0-10W40-GAL	10W-40 Synthetic Blend Engine Oil, Gal	99751-BT4	4T Semi-Syn EO 10W-40, 4 Litre/1.06 Gal Bottle
990C0-10W40-QRT	10W-40 Synthetic Blend Engine Oil, Quart	99751-BT1	4T Semi-Syn EO 10W-40, 1 Litre/33.8 Oz Bottle
99105-50041	Hypoid Gear Oil, Quart	99735-BT1	High Performance Gear Oil, 1 Litre/33.8 Oz Bottle
99105-50046	Hypoid Gear Oil, 5 Gal.	99735-PA	High Performance Gear Oil, 20 Litre/5.28 Gal Pail

TOHATSU

332823050M	FC-W 4-Stroke Oil - Gals	99751-BT4	4T Semi-Syn EO 10W-40, 4 Litre/1.06 Gal Bottle
332823080M	FC-W 4-Stroke Oil - Quarts	99751-BT1	4T Semi-Syn EO 10W-40, 1 Litre/33.8 Oz Bottle
332823100M	Outboard Premium 80W-90 Gear Lube, Quart	99735-BT1	High Performance Gear Oil, 1 Litre/33.8 Oz Bottle
332823120M	Outboard Premium 80W-90 Gear Lube, 5 Gal	99735-PA	High Performance Gear Oil, 20 Litre/5.28 Gal Pail
332823180M	Marine Grease, 14Oz. Cartridge	99710-CG	EP Waterproof Grease, 414ml/14 Oz cartridge
332923050M	Complete Advantage (Full Synthetic) 2-Stroke Oil - Gal	99721-BT4	HP Synthetic Blend 2T Eng Oil, 4 Litre/1.06 Gal

VOLVO PENTA

1141676	80w90 GL-5, Quart	99735-BT1	High Performance Gear Oil, 1 Litre/33.8Oz Bottle
1141677	80w90 GL-5, Gal.	99735-BT4	High Performance Gear Oil, 4 Litre/1.06 Gal Bottle
1141679	Synthetic Transmission Oil, SAE 75W-90, Quart	99741-BT1	Syn Gear Oil, 1 Litre/33.8Oz Bottle
1141680	Synthetic Transmission Oil, SAE 75W-90, Gal	99741-BT4	Syn Gear Oil, 4 Litre/1.06 Gal Bottle
1141681	Synthetic Transmission Oil, SAE 75W-90, 5 Gal	99741-PA	Syn Gear Oil, 20 Litre/5.28 Gal Pail
3809441	Synthetic Transmission Oil, SAE 75W-90, 20 Litre Drum (Europe)	99741-PA	Syn Gear Oil, 20 Litre/5.28 Gal Pail
3809442	Synthetic Transmission Oil, SAE 75W-90, 5 Litre (Europe)	99741-BT4	Syn Gear Oil, 4 Litre/1.06 Gal Bottle
3809443	Synthetic Transmission Oil, SAE 75W-90, 1 Litre (Europe)	99741-BT1	Syn Gear Oil, 1 Litre/33.8Oz Bottle
3840002	Diesel & Gas Engine Oil, SAE 15W-40, 1 Litre (Europe)	99761-BT1	Diesel Eng Oil 15W-40, 1 Litre/33.8 Oz Bottle
3840003	Diesel & Gas Engine Oil, SAE 15W-40, 5 Litre (Europe)	99761-BT4	Diesel Eng Oil 15W-40, 4 Litre/1.06 Gal Bottle
3847302	10w30 Mineral SN GF-5, Qt	99750-BT1	4T Semi-Syn EO 10W-30, 1 Litre/33.8 Oz Bottle
3847303	10w30 Mineral SN GF-5, Gal	99750-BT4	4T Semi-Syn EO 10W-30, 4 Litre/1.06 Gal Bottle
21234027	Corrosion shield, 12 Oz aerosol	99708-A400W	Rust Prevent Coating, 400ml/13.5 Oz aerosol
21347121	Grease, 400g cartridge	99710-CG	EP Waterproof Grease, 414ml/14 Oz cartridge
21681794	Synthetic gasoline engine oil 10W-40, Quart	99751-BT1	4T Semi-Syn EO 10W-40, 1 Litre/33.8 Oz Bottle
21681795	Synthetic gasoline engine oil 10W-40, Gal	99751-BT4	4T Semi-Syn EO 10W-40, 4 Litre/1.06 Gal Bottle
21730474	25w40 Synthetic meets SL	99730-DR	4T Hi Perf Eng Oil 25W-40, 208 Litre/55 Gal Drum
22222460	25w40 Synthetic meets SL. Qt.	99730-BT1	4T Hi Perf Eng Oil 25W-40, 1 Litre/33.8 Oz Bottle
22222461	25w40 Synthetic meets SL. Gal	99730-BT4	4T Hi Perf Eng Oil 25W-40, 4 Litre/1.06 Gal Bottle
40005011	Diesel Engine Oil, SAE 15W-40, 1 Quart (N. America)	99761-BT1	Diesel Eng Oil 15W-40, 1 Litre/33.8 Oz Bottle
40005012	Diesel Engine Oil, SAE 15W-40, 1 Gal (N. America)	99761-BT4	Diesel Eng Oil 15W-40, 4 Litre/1.06 Gal Bottle
40005013	Diesel Engine Oil, SAE 15W-40, 5 Gal N. America)	99761-PA	Diesel Eng Oil 15W-40, 20 Litre/5.28 Gal Pail

YAMAHA / YAMALUBE

ACC-GEARL-UB-05	Marine Lower Unit Gearcase Lube, 5 Gal Pail	99735-PA	High Performance Gear Oil, 20 Litre/5.28 Gal Pail
ACC-GEARL-UB-GL	Marine Lower Unit Gearcase Lube, 1 Gal	99735-BT4	High Performance Gear Oil, 4 Litre/1.06 Gal Bottle
ACC-GEARL-UB-QT	Marine Lower Unit Gearcase Lube, Quart	99735-BT1	High Performance Gear Oil, 1 Litre/33.8 Oz Bottle
ACC-GLUBE-HD-05	Marine Lower Unit Gear Lube HD, 5 Gal Pail	99740-PA	Semi-Syn Gear Oil, 20 Litre/5.28 Gal Pail
ACC-GLUBE-HD-QT	Marine Lower Unit Gear Lube HD, Quart	99740-BT1	Semi-Syn Gear Oil, 1 Litre/33.8 Oz Bottle
ACC-GREAS-14-CT	Marine Grease, 14 Oz Cartridge	99710-CG	EP Waterproof Grease, 414ml/14 Oz cartridge
ACC-SLCNS-PR-AY	Silicone Spray Protectant & Lubricant, 10.5 Oz aerosol	99707-A400W	Silicone Lubricant, 400ml/13.5 Oz aerosol
LUB-10W30-FC-04	10W-30 4-M Outboard Mineral FC-W Engine Oil, Gal	99750-BT4	4T Semi-Syn EO 10W-30, 4 Litre/1.06 Gal Bottle
LUB-10W30-FC-12	10W-30 4-M Outboard Mineral FC-W Engine Oil, Quart	99750-BT1	4T Semi-Syn EO 10W-30, 1 Litre/33.8 Oz Bottle
LUB-20W40-FC-04	20W40 4-M Outboard Mineral FC-W Engine Oil, Gal	99730-BT4	4T Hi Perf Eng Oil 25W-40, 4 Litre/1.06 Gal Bottle
LUB-20W40-FC-12	20W40 4-M Outboard Mineral FC-W Engine Oil, Quart	99730-BT1	4T Hi Perf Eng Oil 25W-40, 1 Litre/33.8 Oz Bottle
LUB-2STRK-M1-04	2-M Outboard TC-W3 2-Stroke Engine Oil, Gal	99721-BT4	HP Synthetic Blend 2T Eng Oil, 4 Litre/1.06 Gal Bottle
LUB-2STRK-M1-12	2-M Outboard TC-W3 2-Stroke Engine Oil, Quart	99721-BT1	HP Synthetic Blend 2T Eng Oil, 1 Litre/33.8 Oz

YANMAR

15W40-1	Diesel Oil, SAE 15W-40, 1 Litre	99761-BT1	Diesel Eng Oil 15W-40, 1 Litre/33.8 Oz Bottle
15W40-5	Diesel Oil, SAE 15W-40, 5 Litre	99761-BT4	Diesel Eng Oil 15W-40, 4 Litre/1.06 Gal Bottle

Bel-Ray Marine HP 2-Stroke Synthetic Blend Engine Oil

This premium semi-synthetic 2-stroke engine oil offers superior wear protection while allowing for maximum output of engine power. Exceeds the requirements of the NMMA TC-W3® rating, and will not void your engine warranty, where a TC-W3 oil is recommended.

Applications:

- Exceptional performance in Evinrude E-tec®, Mercury DFI® & Opti-Max®, Yamaha HPDI®, and other direct injection and pre-mix applications. For use in all water cooled 2-stroke petrol powered outboards and PWC motors specifying the use of an NMMA TC-W3, API TC, JASO FD and ISO L-EGD rated oils.

Features and benefits:

- Superior anti-wear - Provides ultimate wear protection and superior lubricity maximizing the engine life.
- Reduces build-up, and provides superior cylinder and ring wear protection.
- Superior deposit control - eliminates and controls deposits, prevents scuffing, ring sticking, carbon rust and corrosion protection.



Part No.	Capacity
99721-BT1	1L
99721-BT4	4L

Bel-Ray JS-2 2-Stroke Engine Oil

An NMMA certified TC-W3 engine oil that is specifically formulated to meet the needs of all outboards and PWC's including direct fuel-injected engines in extreme marine operating conditions. Bel-Ray Marine JS-2 2-Stroke Engine Oil far exceeds the performance of leading competitors and the industry's TC-W3 standard.

Applications:

- For use in all water cooled 2-stroke petrol powered outboards and PWC's. Including direct injection and pre-mix applications specifying the use of an NMMA TC-W3 rated oils.

Features and benefits:

- Superior lubrication - Extends engine life and provides better wear protection / superior lubricity when compared to other leading TC-W3 oil brands. Reduces cylinder and ring wear .
- Excellent deposit control - clean burning for reduced deposits and improved idle quality, provides superior protection against scuffing, ring sticking, and carbon build-up.
- Excellent anti-rust protection.
- Meets and exceeds NMMA TC-W3 specifications and will not void your engines warranty where a TC-W3 oil is recommended.



Part No.	Capacity
99722-BT1	1L
99722-BT4	4L
99722-DR	208L Drum

Bel-Ray Mineral 4-Stroke Engine Oil

This high performance engine oil is a petroleum based formula and uses the highest quality base fluids infused with the latest technology in marine 4-stroke additives. For super protection against wear, rust, corrosion and deposits. It exceeds the performance requirements of the 'NMMA FC-W Catalyst Compatible' standard for marine 4-stroke engine oils and won't void your engine warranty, when used where an API SM, NMMA FC-W or FC-WCAT oil is recommended.

Applications:

- Use in all 4-stroke petrol powered outboard, inboard, stern drive (I/O) and PWC engines. For use where NMMA FC-W® and NMMA FC-W Catalyst Compatible® oils are specified.

Features and benefits:

- Superior extreme pressure protection reducing cylinder, ring and bearing wear. Extends engine life and efficiency. Up to 5X the wear protection of some competitors.
- Superior deposit control - cleans existing deposits, controls sludge and varnish formation. Keeps ring lands and grooves free of carbon.
- Marine quality rust protection.
- Lowers engine temperatures and increases horsepower - the lowest co-efficient of friction of the leading marine brands.
- Reduces oil consumption.
- SAE 25W-40



Part No.	Capacity
99730-BT1	1L
99730-BT4	4L

Bel-Ray Marine 4-Stroke Semi-Synthetic Engine Oil

Utilises the highest quality synthetic and mineral base fluids and latest technology of marine 4-stroke additives.

- For superior protection against wear, rust, corrosion and deposits.
- NMMA FC-W.



Part No.	Type	Capacity
99750-BT1	10W-30	1L
99750-BT4	10W-30	4L
99751-BT1	10W-40	1L
99751-BT4	10W-40	4L

Bel-Ray Marine Diesel & Petrol Engine Oil

A superior semi-synthetic marine engine oil for marine engines. With the highest quality synthetic, mineral base fluids & latest 4-stroke additives, it provides superior protection against wear, rust and corrosion and mineral deposits. Exceeds performance requirements of the 'NMMA FC-W Catalyst Compatible' standard for marine 4-stroke engine oils and won't void your engine warranty, when used where an API SM, NMMA FC-W or FC-WCAT oil is recommended.

Applications:

For use in all 4-stroke petrol/diesel powered outboard, inboard, stern drive (I/O) and PWC engines. For use where NMMA FC-W and NMMA FC-W Catalyst Compatible oils are specified.

Features and benefits:

- Superior extreme pressure and anti-wear - reduces cylinder, ring and bearing wear. Extends engine life and efficiency. Up to 5X the wear protection of some competitors.
- Marine quality rust protection and superior deposit control. Cleans, controls sludge and varnish formation. Keeps ring lands and grooves carbon-free.
- Lowers engine temperatures and increases horsepower - the lowest co-efficient of friction of the leading marine brands
- Reduces oil consumption.
- FC-W CAT Certified
- SAE 10W-30

Part No.	Type	Capacity
99760-BT1	10W-30	1L
99760-BT4	10W-30	4L
99761-BT1	15W-40	1L
99761-BT4	15W-40	4L
99762-BT1	20W-50	1L
99762-BT4	20W-50	4L



Bel-Ray Marine Semi-Synthetic SAE 80W-90 Gear Oil

For high torque/high horsepower marine engines, GL-5 rated for maximum protection under extreme pressure. Extends equipment life, longer life for gears and bearings in extreme conditions as high-speeds high-horse power applications

Applications:

Recommended for all outboard and stern drives units, fresh and salt water applications requiring GL-4 or GL-5 performance standards.

Features and Benefits:

- Antimony-free formula for safer handling and disposal.
- Exceeds the requirements of all major OEM marine engine manufacturers.
- Superior micro-pitting protection.

Part No.	Capacity
99740-BT1	1L
99740-BT4	4L
99740-PA	20L



Bel-Ray Marine High Performance SAE 85W-90 Gear Oil

Maximum protection under the severe conditions of high load, high speed and water contamination. Fortified with rust, corrosion, oxidation and foam inhibitors.

- Excellent performance in the presence of water.
- Protects against rust.
- Reduces sludge build-up[.
- Exceeds requirements of all major marine gear drive OEMs.

Part No.	Capacity
99735-BT1	1L
99735-BT4	4L
99735-PA	20L



Bel-Ray Marine Synthetic SAE 75W-90 Gear Oil

For high-torque/high-horsepower engines.

- Antimony-free formula for safer handling and disposal.
- GL-5 performance rated and exceeds the requirements of all major OEM engine manufacturers.
- For all outboards and sterndrives in fresh or saltwater applications.

Part No.	Capacity
99741-BT1	1L
99741-BT4	4L



Bel-Ray Rust Preventative Coating

When correctly applied it will provide up to two years of protection against rust and corrosion. Easy-to-apply, won't melt, run, or wash out.

Applications:

High performance rust and corrosion preventive for general purpose for use on all marine equipment. Protects all metals against high temperatures and UV rays, rust and corrosion.

Features and Benefits:

- Non conductive - coatings are effective electrical insulators and are highly resistant to galvanic corrosion
- Easily applied by dip, spray or brush even over a rusty surface.
- Easily removed with petroleum solvents.

Part No.	Capacity
99708-A400W	400ml
99706-BT4	4L
99706-PA	20L



6 in 1® Biodegradable Multi-purpose Lubricant

Eco-friendly biodegradable formulation that contains anti-wear additives to provide high film strength to this exceptional penetrating and lubricating fluid. It cleans as it lubricates, protects against rust and corrosion, displaces water and reduces friction. Will not harm electrical contacts, vinyl, wood or paint.

Applications:

- Penetrates to loosen frozen nuts and bolts, lubricates moving parts and friction points. Displaces water, cleans & protects against rust and corrosion. Use on levers, cables, threaded fasteners, instruments, automatic chokes, battery terminals, ignition parts, wires, doors, locks, hinges, and much more.

Features and benefits:

- Out Performs USA's #1 multi-purpose lubricant
- Better lubrication - NOT just a rust preventive. Lubricates as it protects
- Corrosion protection - Displaces moisture leaving behind a protective barrier film impervious to moisture. Protects from rust and corrosion for better and longer component life
- User friendly. Non-toxic, non-corrosive and non-irritating.



Part No.	Capacity
99704-A175W	175ml
99704-A400W	400ml
99705-BT4	4L

Marine Silicone Lubricant

A high viscosity silicone fluid that is pearlescent in colour, smooth, tacky and waterproof. It fights corrosion and lubricates wood, nylon, vinyl, rubber, metals, canvas and leather. Marine Silicone Lubricant eliminates squeaking and binding.

Applications:

- Safe on electrical contacts, vinyl fibreglass, rubber, wood and paint.
- Widely used as marine multi-purpose lubricant and for protections from rust and corrosion.

Features and Benefits:

- Odourless, colourless, non-toxic and non staining.
- Waterproof - Ideal for wet conditions and water displacing. Helps waterproof ignition systems, lubricate zippers on canvas tops and more.
- Chemically inert - Will not affect leather, rubber, plastic or metal. Protect Vinyl seats.
- High temperature range - Oxidation resistant and heat stable.



Part No.	Capacity
99707-A175W	175ml
99707-A400W	400ml

Bel-Ray Marine Waterproof Grease

Bel-Ray Waterproof Grease is a long lasting waterproof grease providing maximum protection against wear, rust and water washout. It repels water and acts as an excellent seal for bushings, bearings, all chassis lubrication points and other applications exposed to wet conditions and a wide temperature range. Waterproof Grease's tacky texture makes it resistant to impact and wiping action – the grease stays where it's needed.

Applications:

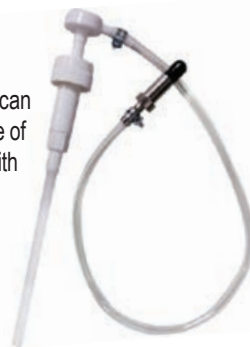
- Boat trailer wheel bearings and bearing buddies
- General grease lubrication
- Won't melt, run, or wash out; ideal for all bearing and bushing applications.
- Corrosion and wear protection (even in salt water) extends component life.



Part No.	Capacity
99710-CG	397g
99710-CG3OZ	85g

Gear Lube Pump for Belray Bottle

The Bel-Ray Marine Lower Unit Pump can be used to pump a one- or four -litre bottle of gear oil into any outboard or stern drive with a 3/8" (10mm) - 16 drain screw.

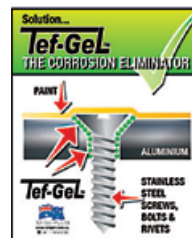


Part No.
JPW7263

Tef-Gel Corrosion Eliminator

Derived from a specially formulated Teflon paste for use in highly corrosive environments for rust prevention, corrosion elimination, galling of stainless steel and as an anti-seize lubricant.

- Outstanding dielectric properties to protect electrical connections.
- Won't break down in salt water, fresh water, detergents or UV.



Part No.	Capacity
JPW7134	10g Tube
JPW7135	30g Tube
JPW7136	60g Tub
JPW7137	120g Tube
JPW7138	320g Caulking Gun Cartridge

Ozspray Industrial-Grade

Spray-able form of the famous Woolube grease. Dries to a fine grease film offering the same characteristics as the grease, as well as being an excellent fluid displacement, penetrate and lubricant in one multi-purpose product.



Part No.	Capacity
JPW7253	300g Aerosol Spray
JPW7254	750ml Spray Bottle

Ozspray Extra-Grade

Contains more lanolin, offering greater protection in corrosive environments. Ideal for marine, mining and heavy transport.

- Best used on surfaces away from regular contact due to its stickiness.
- Performs best on underwater applications.



Part No.	Capacity
JPW7250	750ml

Sta-Bil Marine Fuel Stabiliser

Prevents corrosion in petrol engines used in high moisture environments.

- Effective in all blends of petrol
- Cleans fuel systems
- Stabilises fuel for up to 12 months including 2-stroke
- Prevents ethanol fuel related damage
- Treats up to 300L of fuel.



Part No.	Capacity
JPW7126	235ml

Woolube Lanolin Grease

Thick, tacky grease with high load capabilities, won't wash out under most conditions - including underwater.

- Melt and apply with a paintbrush for heavier protection/rejuvenation.
- Excellent anti-corrosive, thread anti-seize, general lubricant.



Part No.	Capacity
JPW7260	300ml

Sta-Bil Fuel Stabiliser - Original

- Keeps fuel fresh and equipment ready to start.
- Recommended by over 70 equipment and engine manufacturers
- Ideal to winterise your boat.
- Prevents gum and varnish build-up.
- Quick measure, easy-to-pour bottle.
- Effective in all blends of petrol including 2-stroke



Part No.	Capacity
JPW7132	473ml

Anti-Seize Thread Lubricant

Prevents seizing and galling of all types of threads.

- Makes removal of screws and bolts quick and easy.
- Great for spark plugs and propeller shafts.
- Brush applicator cap.



Part No.	Capacity
JPW8040	56g

White PTFE® Lubricant

The ultimate lubricant – exceeds performance of normal grease.

- Special PTFE formula will not wash off.
- Protects from -65F to +650F.
- Reduces wear and friction.
- Non-toxic, non-staining.
- Great on zippers, winches, etc.



Part No.	Capacity
JPW8038	113g

Inox Lubricant

MX3 Anti-Corrosion formula for heavy industrial use in extreme climate conditions.

- Contains no silicon, acid or acid forming ingredients, petroleum distillate or kerosene.
- Won't harm metal points, surfaces, plastics, paints, enamels / finishes, fibreglass, formica, neoprene seals.
- Non-conductive, non-static, non-corrosive, non-staining & non-toxic.



Part No.	Capacity
JPW4501	300g Aerosol
JWP4502	5L

Penetrol Paint Conditioner & Primer

Primes, seals, bonds and restores lustre to faded fibreglass.

- Use alone or as a paint additive for oil-based paints, metal or wood primers, varnishes & stains to make paint stick.
- Low odour, non-toxic when dry & colourless.



Part No.	Capacity
JPW4405	1L
JPW4406	20L

Marine Wash

Cleans hulls, decks, sails, showers, toilets, vinyl, fabric, ovens, food storage and cooking areas.

- General purpose all-over boat wash.
- Leaves a glossy hull and mark-free deck.



Part No.	Capacity
JPW7015	1L
JPW7016	2.5L
JPW7017	5L
JPW7018	20L

Engine & Bilge Cleaner

Non-toxic, non-flammable and safe to use on most surfaces.

- Non-toxicity to marine environment.



Part No.	Capacity
JPW7020	1L
JPW7021	2.5L
JPW7022	5L
JPW7023	20L

Kleen-A-Hull

Removes discolouration, water stains, scuff marks and rust from fibreglass, aluminium, stainless chrome and steel.

- Does not affect the cleaned surface.



Part No.	Capacity
JPW7051	1L
JPW7052	2.5L
JPW7053	5L
JPW7054	20L

Kleen-A-Deck Teak Cleaner

Easy to use for all types of wood decking. Does not affect caulking. Used by super yachts Australia-wide.



Part No.	Capacity
JPW7025	1L
JPW7026	2.5L
JPW7027	5L
JPW7028	20L

Kleen-A-Deck Teak Brightener

Simple to use after Teak Cleaner to bring out the best in your decking.



Part No.	Capacity
JPW7030	1L
JPW7031	2.5L
JPW7032	5L
JPW7033	20L

Anti-Fouling Stripper

Removes several coats of anti-fouling paint when applied correctly. Provides a cost-effective alternative to other stripping methods currently used.

- Two 6kg drums are normally sufficient for hulls up to 28ft.
- Boats over 30ft will usually need a 25kg drum.



Part No.	Capacity
JPW7044	6kg
JPW7038	12kg
JPW7043	25kg

Scuff Off

For the removal of unsightly buoy / tyre marks, shoe scuffs and exhaust deposits.

- Can also be used on sails, fenders, rigging and hulls.

Part No.	Capacity
JPW7045	750ml
JPW7046	5L
JPW7047	20L
JPW7048	2.5L



Night 'N' Day Shampoo

For salt or brackish water. High quality shampoo suitable for all hair types/water conditions including fresh or sea water.

- Balanced PH assists in preventing dandruff and itchy scalp.

Part No.	Capacity
JPW7080	250ml
JPW7081	1L



Toilchem Blue Toilet Cleaner

Best chemical for the control of effluent and odours.

- Active constituent: 8.5% w/w Formaldehyde.

Part No.	Capacity
JPW7071	1L
JPW7072	2.5L
JPW7073	5L



Night 'N' Day Liquid Soap

Very effective in preventing skin irritations and itch, dermatitis and other skin conditions.

- Lathers in all water conditions, making it a must-have for all travellers.

Part No.	Capacity
JPW7090	250ml
JPW7091	1L
JPW7092	5L



Toilchem Green Toilet Cleaner

Best chemical for the control of effluent/odours.

- Active constituent: 5% w/w Glutaraldehyde.
- Biodegradable.

Part No.	Capacity
JPW7075	1L
JPW7076	2.5L
JPW7077	5L



ProPower Probiotic Tank Treatment and Deodoriser

Uses multiplying probiotic microbes to control odour and sludge in vented, fresh or salt water based systems. Continues cleaning as long as water remains in tank.

Part No.	Capacity
JPW7107	500ml



Glass Cleaner

Non-streaking glass cleaner for mirrors, internal glass and stainless steel, external windows, car and boat windscreens.

Part No.	Capacity
JPW7105	750ml



Sticky Off

For the easy removal of sticky tape, packaging tape and other annoying glue type substances as well as permanent markers from most types of surfaces.

Part No.	Capacity
JPW7109	500ml



Deck Brush Cleaning Kit

Versatile deck cleaning kit with two attachments - screw on brush head with squeegee end.

- Screw on boat hook head.
- Connects to hose for constant water flow while cleaning.



Part No.	Adjustable Length
JPW1770	64 - 103cm

RAIN-X Original Water Repellent

Dramatically improves visibility on the exterior glass of your boat by repelling water. Apply to exterior glass and watch the raindrops and seawater fly off the glass while the boat is in motion.



Part No.	Capacity
JPW7690	207ml

Deluxe Deck Brush Cleaning Kit

Kit includes:

- Boat hook
- Telescopic pole
- Attachable brush and mop for cleaning.



Part No.
JPW1769

Acetone Cleaning Solvent

Extremely versatile solvent for resins, gums, fats, oils, waxes, rubber, plastics, nitrocellulose, paints, lacquers, varnishes, adhesives and rubber cements.



Part No.	Capacity
JPW7711	1L
JPW7712	4L
JPW7713	20L

Deck Brush & Mop Cleaning Kit

A practical kit to keep on board for cleaning the boat and for use as a boat hook.

- Telescopic anodised aluminium pole with threaded shaft to attach heads.
- Screw-on deck scrub brush head / mop head / boat hook head.



Part No.
JPW1771

Ali Brite Aluminium Cleaner

Etching type acid cleaner for cleaning aluminium parts such as trailer bodies, tanks, bull bars and dinghies.

- Ideal for cleaning stainless steel with minimal attack on the substrate and reduced localised pitting.
- Final rinsing for a streak-free finish.



Part No.	Capacity
JPW7721	1L
JPW7723	5L

Eazefill Putty

Polyester filler designed for use in the filling of holes, cracks and splits in timber and other boat repairs. Excellent adhesion over timber, plaster, fibro, concrete, ceramics, metal, fibreglass, aluminium and most rigid materials.

- No drag or sag even at high build levels.
- Minimal surface tack, easy sanding and good feathering.



Part No.	Capacity
JPW7739	2.5kg

Septone Fibreglass Polyester Resin

Used with Septone MEKP Catalyst and Septone Fibreglass Matting to repair cracks and holes in fibreglass, wood, steel, iron, masonry and other inflexible material.

- Ideal for fibreglass and wooden boats, trailers, kayaks, surfboards and vehicles.



Part No.	Capacity
JPW7789	250ml
JPW7790	500ml

FibreTough Glass Fibre Filler

Fibre-reinforced polyester putty to bridge holes up to 50mm diameter.

- For boats, motor vehicles, caravans, trailers and guttering.
- Exhibits maximum adhesion to metal with excellent resistance to shrinkage.
- Waterproof when fully cured.



Part No.	Capacity
JPW7742	500g
JPW7740	1kg
JPW7741	3kg

Septone MFM.5 Fibreglass Matting

Used in conjunction with Fibreglass Polyester Resin and MEKP Catalyst to repair cracks / holes in fibreglass, wood, steel, iron, masonry and other inflexible material.



Part No.	Area
JPW7788	0.5 m ²

Fibreglass Repair Kit

Everything needed to fix fibreglass and plywood boats, surfboards, water skis and surfcrafts. For binding split or damaged booms, spars, spinnaker poles and oars and repairs to transom edges.

- Waterproof, weather resistant, rot-proof and unaffected by marine growth.



Part No.	Capacity
JPW7744	250ml

MEKP Catalyst

For use with polyester resins for repairs to fibreglass.

- Sets in approximately 20 minutes, depending on the temperature and catalyst level.



Part No.	Capacity
JPW7801	20ml

Deodorised Fish Oil

A protective coating considered to be one of the most effective products in the prevention of rust. Penetrates through rust to give protection to the parent metal.



Part No.	Capacity
JPW7758	350ml
JPW7761	1L
JPW7762	4L
JPW7760	20L

Hardener (Gelcoat) White

Patch up holes, scratches and dents on your boat's gelcoat with the Septone Gelcoat Repair Filler.



Part No.	Capacity
JPW7748	10g

Septone Boat Wash

Concentrated heavy duty liquid cleaner that removes oil, grime, soot and industrial fallout. Safe to use on paint, steel, aluminium, glass, rubber, chrome, vinyl, canvas and tarpaulins, bilges, decks, upholstery, canvas covers and windows.

- Non-toxic, non-caustic, biodegradable and free rinsing.



Part No.	Capacity
JPW7783	5L

Septone MPFE Fibreglass Polish Extra Cut

For a high-gloss finish on old or weathered fibreglass gelcoated or painted surfaces. Returns chalky surfaces to as new. For hand or machine finishing.

- For new or unweathered surfaces, use Septone Fibreglass Polish Super Fine.



Part No.	Capacity
JPW7793	500ml
JPW7794	1.8kg

Septone Boat Wash and Wax

Concentrated heavy duty liquid cleaner to effectively clean all washable surfaces of oil, grime, soot and industrial fallout.

- Non-toxic, non-caustic, biodegradable and free rinsing.
- Safe to use on paint, steel, aluminium, glass, rubber, chrome, vinyl, canvas and tarpaulins.



Part No.	Capacity
JPW7775	1L
JPW7776	5L

Septone Fibreglass Polish Superfine

For a long-lasting high gloss finish on new or unweathered fibreglass gelcoated or painted surfaces. Can be hand or machine finished.

- For old or weathered surfaces use Septone Fibreglass Polish Extra Cut.



Part No.	Capacity
JPW7797	500ml
JPW7798	1.8kg

Septone Cut N Polish

Restores shine to new or chalked paint and can be used for machine buffing or hand rubbing. Also removes overspray and orange peel.



Part No.	Capacity
JPW7757	500ml
JPW7755	1L
JPW7756	4L

Septone MPFR Fibreglass Restorer and Wax

To polish all types of marine gelcoat and paintwork in new or reasonable condition, leaving a rich, deep, wet-look gloss look.

- For new and well kept boats and jet skis.



Part No.	Capacity
JPW7795	500ml
JPW7796	1L

Septone Fibreglass Buffing Compound

Liquid cutting compound for use on all types of marine gelcoats and paintwork in poor or oxidised condition and need revitalizing.

- Used on chalked surfaces to restore the shine to dull surfaces. Also used on newly painted surfaces to remove over spray and orange peel.



Part No.	Capacity
JPW7791	500ml
JPW7792	1L

Gelcoat Repair Filler

Repair chips, scratches and cracks in polyester gelcoats with Septone's Gelcoat Repair Filler. Easy to apply with no sag even at high build levels. Cures to a white finish when used with the included hardener.

- Not for use below water line unless surface is sealed with appropriate top coat.



Part No.	Capacity
JPW7799	400g

Septone Aluminium Cleaner

Etching type acid cleaner designed primarily for the cleaning of aluminium.

- Use on unpainted dinghies, bimini & canopy frames, aluminium & stainless steel railings, and water/fuel tanks.

Part No.	Capacity (L)
JPW7777	1L
JPW7779	5L
JPW7778	20L



Septone Contact Adhesive

Permanently contact bond a wide range of surfaces including leather, vinyl, canvas, rubber, glass, timber, MDF and particle board, cork, laminates, ceramic, vinyl flooring and urethane foam etc.

- Water and heat-resistant.

Part No.	Capacity
JPW7807	350g
JPW7808	250ml
JPW7809	500ml



Stainless Steel Polish

Use on chrome, stainless steel, nickel, brass copper and aluminium to clean, polish and protect from rust, staining and oxidation.

- Do not use on gold or silver.

Part No.	Capacity
JPW7803	250g



3M Masking Tape - Premium Grade

Provides outstanding paint lines, excellent conformability and transfer resistance.

- Resistant to bleed through.
- Better UV resistance than traditional masking tapes.
- Goes on quickly and easily.
- Sticks at a touch and stays put.



Part No.	Dimensions (W x L)
M233+18MM	18mm x 50m
M233+24MM	24mm x 50m
M233+36MM	36mm x 50m
M233+48MM	48mm x 50m

Septone Bilge and Engine Cleaner

Concentrated, biodegradable, non-caustic and non-toxic. Helps to neutralise the offensive odours often found in bilges.

- Works equally as efficiently in salt or fresh water.

Part No.	Capacity
JPW7780	1L
JPW7781	5L



Auto Masking Tape

A performance masking tape for marine and automotive spray painting applications.

- Sharper edges and superior durability.
- Easy removal.



Part No.	Dimensions (W x L)	Carton Qty
M6545	18mm x 55m	48
M6546	24mm x 55m	36
M6547	36mm x 55m	24
M6548	48mm x 55m	24

Hull Cleaner & Stain Remover

Hull Cleaner & Stain Remover is an acid based cleaner designed for removing waterline stains and rust stains from fibreglass gelcoat, painted timber surfaces and from steelwork. Hull Cleaner & Stain Remover will also de-yellow gelcoat and 2-pack painted surfaces.

- Removes rust stains
- Removes waterline and hull stains

Part No.	Capacity
JPW7785	1L
JPW7786	5L
JPW7787	20L



3M Gelcoat Heavy Cut Compound

Removes P800 and finer scratches as well as heavy oxidation and other defects. Improved formula has longer wet times for easier clean up and less dust and works better in warm climates.

- Great for marine, RV, and industrial gelcoat surfaces.
- Ideal for three-step processes. Protect with Perfect-It Boat Wax after compounding for an easy two-step finish.



Part No.	Capacity
M36101	473ml
M36102	946ml
M36103	3.7L



3M Gelcoat Medium Cut Compound

Combines fast cutting power for any P1000 and finer scratches with a high gloss finish, and durable wax protection.

- One step compound & wax.
- Combines medium cutting power with a glossy finish and durable wax.
- Great for marine, RV, and industrial gelcoat surfaces.
- Stays wet longer you can use less product.



Part No.	Capacity
M36105	473ml
M36106	946ml
M36107	3.7L



3M Gelcoat Light Cut Polish & Wax

Combines fast cutting power for any P1500 and finer scratches with a high gloss finish, and durable wax protection for gelcoat surfaces.

- One step compound and wax combines light cutting power with a glossy finish and durable wax.
- Great for marine, RV, and industrial gelcoat surfaces.
- Stays wet longer enabling less wastage / easier cleanup and less dust, even in warm climates.



Part No.	Capacity
M36109	473ml
M36110	946ml
M36111	3.7L



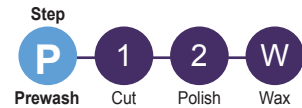
3M Perfect-It Boat Wash

Cleans grime, algae, dirt, and other common marine contaminants from stem to stern.

- Allows for superior refinishing results and cleans without stripping wax.
- Important first step in cleaning and refinishing your surfaces.
- Makes up to one gallon per ounce.



Part No.	Capacity
M09034	473ml
M09035	946ml



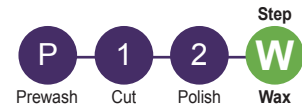
3M Perfect-It Boat Wax

For use on gelcoat, paint, fiberglass, and metals and has a pleasant tropical scent. The pure wax finish protects against the elements.

- Important final step in refinishing your surfaces.



Part No.	Capacity
M36112	473ml
M36113	946ml



3M Buffing Pad Wool

For a DIY professional standard high gloss finish. 25mm wool pile on both sides of pad.

- In-built lightweight pad eliminates need for heavy rubber backup pads.
- Fits any standard drill with 1/4" arbor and hex-head nut.



Part No.	Diameter
M33287	150mm
M5753	203mm
M5752	Quick Release Adaptor

3M Ultra Performance Paste Wax

'Easy on, easy off' formula contains soil-release and water beading properties helping exposed surfaces retain a new appearance.

- Extremely durable protection and coverage with an effortless apply and buff out application.
- High gloss, wet look finish.
- Long lasting UV protection.



Part No.	Capacity
M9030	269g

Perfect-It EX Rubbing Compound

Quickly remove P1200-grade and finer sand scratches and other surface defects. Easy clean up, less sling and powdering and very smooth handling.

- Performs better than most other compounds in all conditions, especially hot and humid conditions.
- Colour - tan



Part No.	Capacity
M36060	946ml

3M 'Scotchgard' Marine Liquid Wax

Uses reactive chemistry which actually bonds to the boat's surface to provide a lasting protection.

- Can be used on fibreglass/gel-coat, marine topside paints, painted aluminium and marine metal parts.



Part No.	Capacity
M9061	500ml
M9062	1L

Perfect-It EX Machine Polish

Fast finish formula that quickly and effectively removes compound swirl marks

- Wetter formula allows for longer work time without drying
- Slings less so it is working on the pad longer.
- Wipes off easily, requiring less clean up time.
- Less polish needed initially and at reapplication.
- Doesn't smear or cake.



Part No.	Capacity
M06094	946ml

3M Rubbing Compound

Aggressive compound that removes P1000 and finer sanding scratches on all types of paint surfaces.

- Entry-level, super duty.



Part No.	Capacity
M39004	473ml

Perfect-It EX Ultrafine Machine Polish

A high performance unique formula will quickly and effectively eliminate swirl marks.

- Produces a high gloss finish, even on the most difficult dark colours.
- Good handling and easy cleanup allowing less usage and less wastage.



Part No.	Capacity
M06068	946ml

3M 1-Step Clean & Shine

Use on fibreglass and other finished surfaces.

- High gloss wax formulation.
- Quick and easy to apply.



Part No.	Capacity
M9033	500ml

3M High Gloss Gelcoat Compound

Paste compound designed to quickly remove P600 dry or 1000 wet sanding scratches from production gel-coat.

- Contains no wax or silicone.
- Leaves a high gloss finish without swirls or wheel marks.
- Unique formulation which reduces slinging while buffing.



Part No.	Weight
M06025	4.53kg

3M Finesse-It II Glaze

Removes minor scratches and light oxidation. High-gloss wet-look finish on fibreglass and painted boats.

- Contains no wax or silicone.



Part No.	Capacity
M09048	444ml

3M Vinyl Cleaner & Restorer

Deep cleans dirt and grime, shines, conditions and protects vinyl, rubber and plastic surfaces.

- Fresh lemon scent.



Part No.	Capacity
M9029	500ml

3M Stainless Steel Cleaner

Cleaner and high-gloss polish for stainless steel. Suitable for use with microfibre cloths. Contains no petroleum distillates.

- Resists fingerprints and reduces blemishes.



Part No.	Capacity
M557807	600g

3M Marine Adhesive Sealant

Fast or slow curing polyurethane sealant that chemically reacts with moisture to deliver strong, flexible bonds with wood and fibreglass.

- Watertight seals above and below the waterline.



Part No.	Type	Colour	Capacity
M6504	Slow Cure 5200	Black	296ml
M6520	Fast Cure 5200	White	296ml

M6504 M6520

3M Safety-Walk Slip Resistant Tread

Slips and falls are the leading cause of occupational accidents resulting in over 300,000 disabling injuries each year.

- Black premium 3M high adhesive anti-slip tape.
- Ideal for marine and commercial applications.



Part No.	Dimensions L x W
M379057	50mm x 18m
M379065	100mm x 18m

3M Marine Grade Silicone

Silicone rubber sealant for use on painted metal, fibreglass, glass, non-oily woods and many plastics.

- Mildew resistant/moisture curing.
- Remains flexible with excellent resistance to the marine environment.



Part No.	Colour	Capacity
M8027	White	378ml
M8029	Clear	378ml

M8027 M8029

3M Step & Ladder Tread - Black

Ideal for helping preventing slips and falls.

- Comes in a variety of sizes, colours and materials.



Part No.	Dimensions (W x L)
M7635	50mm x 4.5m

3M Oil & Fuel Bilge Pillow Pad

Will contain up to two litres of oil and fuel from the bilge, or drip tray.

- Floats on water and will not disintegrate even if left for months.



Part No.	Dimensions L x W
M29026	400 x 180mm

Oil Absorbent Pads

This high capacity, low profile absorbent pad, picks up petroleum based fluids, will not absorb water.

- For routine use, cleaning up small spills and wiping contaminated areas.
- Can be used on a work surface in anticipation of a spill or as a wipe.



Part No.	Dimensions L x W
MHP156S	48 x 43mm

Sikaflex 291 Polyurethane Adhesive Sealant

Bonds extremely well to materials commonly used in marine construction like wood, metals, metal primers and paint coatings, ceramic materials and plastics (GRP, etc.). Not to be used to seal plastics that are prone to stress cracking (e.g. Perspex, polycarbonate, etc.).

- Elastic with low odour
- Resistant to ageing and weathering
- Can be overpainted and sanded

Part No.	Size	Colour
JPW7610	310ml Cart.	Black
JPW7611	310ml Cart.	White
JPW7612	150ml Tube	Black
JPW7613	150ml Tube	White
JPW7614	70ml Sausage 24x	White



310ml Cartridge

Sikaflex 295UV Polyurethane Adhesive Sealant

A one-component adhesive of paste-like consistency that cures on exposure to atmospheric moisture to form a durable elastomer. Used to bond and seal plastic glazing materials in boats and ships. With excellent ageing, weathering & UV-resistance it can also be used to seal joints in areas of severe exposure.

- Fast cure time
- Short cut-off string
- Approved for the OEM market

Part No.	Description
JPW7623	Sika 295UV 300ml Cartridge - Black
JPW7624	Sika 295UV 300ml Cartridge - White



310ml Cartridge



Counter retail box display sold in 24x sausages



150ml Tube

Sikaflex 290 DC Pro Deck Caulking

Used for sealing teak or cork seams in marine decking. Cures to form a flexible elastomer which can be sanded. Resistance to fresh and sea water for a long lasting finish. Boat builds choice when caulking joints in a traditional timber decking.

- Non-corrosive
- Resistant to UV light and weathering



600ml Sausage



300ml Cartridge

Part No.	Description
JPW7627	Sika 290 DC Pro 300ml Cartridge - Black
JPW7628	Sika 290 DC Pro 600ml Sausage - Black

Sikasil Marine Silicone Sealant

A premium, neutral-curing silicone sealant with excellent adhesion to a wide range of substrates for a permanent, flexible bond or seal, even under the most extreme marine conditions. Non-corrosive.

- Excellent thermal, vibration, UV and weathering resistance
- Adheres well to fibreglass, metals, glass, most plastics, varnished wood and painted surfaces
- Fast-curing and highly effective
- Easy to apply



75gm Tube



300ml Cartridge

Part No.	Description
JPW7620	Sikasil Sealant 75g - Clear
JPW7621	Sikasil Sealant 300g - Clear



Ultimate Aluminium Polish with PTEF®

Formulated to preserve the finish of aluminium pontoon boats, canoes etc.

- PTEF® polymers provide UV protection and help repel dirt and stains.
- Use after Aluminium Cleaner/Restorer to enhance the look of older boats.

Part No.	Capacity
JPW7893	473ml



Ultimate Boat Guard Speed Detailer & Protectant with PTEF®

Gently removes dirt and grime. A fast, easy way to add shine and enhance colour on fiberglass, vinyl, painted surfaces, polished metal & rub-rails.

- PTEF® Polymers Provide UV Protection.
- Provides protection against fading by UV rays.
- Ideal for auto & RV use.
- Extends time between full waxing or polishings.

Part No.	Capacity
JPW7877	650ml



Ultimate Xtreme Clean All Surface Cleaner/Degreaser

Removes even the toughest dirt and greasy stains, even on tough-to-clean porous surfaces. Special chelating agents break the bond that holds dirt or stains to surface without heavy scrubbing.

- Phosphate-free, safe for use on or near the water; runoff won't harm sea-life or cause algae blooms.
- Cleans fibreglass, vinyl, plastic, metal and even inflatable boats.

Part No.	Capacity
JPW7873	650ml



Ultimate Vinyl Clean

Powerful formula removes tough stains, greasy smears and grime. Engineered for use on vinyl, plastic, rubber and leather surfaces

- Contains no harsh acids or caustic cleaners.

Part No.	Capacity
JPW7880	946ml



Ultimate Aluminium Cleaner & Restorer

Formulated to clean and restore stained or dull aluminium pontoon boats, jon boats and canoes. Use Ultimate Aluminium Polish as Step 2 when removing stains and restoring older boats.

- Convenient 64 fl. oz. (1.89L) size with sprayer for easy application.

Part No.	Capacity
JPW7895	1.89L



Ultimate Vinyl Guard

Enhances appearance and UV protection to all vinyl, rubber, plastic and leather surfaces. Will restore suppleness to vinyl that has been exposed to the harsh marine environment.

- PTEF® polymers bond to treated surface to form a barrier that helps repel stains and damaging UV rays; acts like a sunblock for vinyl surfaces.
- Used as often as needed.

Part No.	Capacity
JPW7883	946ml



Ultimate Fibreglass Stain Remover

New Gel formula "sticks" where applied for maximum cling time and cleaning power. Removes 'yellowing' and tough waterline stains. Completely covers stains to penetrate and dissolve.

- Specifically formulated to remove the toughest stains, including rust, dried fish blood and leaf stains.
- Works on all fibreglass and painted surfaces; ideal for vertical surfaces.

Part No.	Capacity
JPW7875	946ml



Ultimate Carpet Clean with PTEF®

Formulated to dissolve oily stains, grease, fish blood, dirt and eliminate foul odours.

- Foaming action lifts dirt so that it can be rinsed away.
- PTEF polymers bond to treated carpet to repel stains and damaging UV rays.
- Use to clean all indoor and exterior marine carpets - spot cleaning or large areas.
- Ideal for car, home and RV use.

Part No.	Capacity
JPW7886	650ml



Ultimate View Guard Clear Plastic Treatment

Repels and removes rain, spray, salt & grime to dramatically enhance wet weather visibility through clear plastic enclosures. Specifically formulated for use on Strataglass, EZ2CY, Eisinglass and other clear plastic surfaces.

- Gently cleans and provides UV protection for all clear plastic surfaces.



Part No.	Capacity
JPW7870	650ml

Fiberglass Colour Restorer with PTEF®

Brings back original colour and lustre. Removes oxidation, chalking and fading. Excellent for coloured hulls.

- Seals surface to protect against future fading due to weathering.
- Easy to use - will not scratch or harm gelcoat.



Part No.	Capacity
JPW7889	473ml

Premium Marine Polish with PTEF®

Ultimate protection for fiberglass, metal, plexiglass and painted surfaces and can be applied over old wax or polish. UV inhibitors reduces fading and oxidation. For medium to heavy oxidation, use Premium Cleaner Wax.

- Increases hull speed as it repels water



Part No.	Capacity
JPW7856	397g
JPW7857	473ml
JPW7858	946ml

and oil based stains and deposits, making future cleanup quick and easy.

- Lasts up to 5 times longer than other marine waxes.



Liquid Rubbing Compound for Medium Oxidation

Convenient liquid formula removes stains, heavy oxidation and scratches from fiberglass, metal and painted surfaces. Use Premium Marine Polish with PTEF as follow up to maintain the restored finish.

- Hand or buffer application - doesn't set up like most rubbing compounds so removal is quick and easy.



Part No.	Capacity
JPW7835	473ml

Premium Cleaner Wax with PTEF®

Cleans, shines and protects in one step. Specially formulated for fiberglass, metals and painted surfaces. UV inhibitors help prevent fading and oxidation.

- Quick and easy to use
- Removes oxidation and chalk while leaving a durable coat of PTEF polymers.



Part No.	Capacity
JPW7927	473ml
JPW7929	946ml

Liquid Rubbing Compound for Heavy Oxidation

Convenient liquid formula removes stains, heavy oxidation and scratches from fiberglass, metal and painted surfaces. Use Premium Marine Polish with PTEF as follow up to maintain the restored finish.

- Hand or buffer application - doesn't set up like most rubbing compounds so removal is quick and easy.



Part No.	Capacity
JPW7836	473ml

Marine Polish

For fiberglass and aluminium boats. Cleans, shines and protects keeping your vessel looking like new. Removes scratches, swirl marks, chalk and oxidation from fiberglass and painted surfaces.

- No hard rubbing required; can be applied by hand or with a buffer.
- Lasts up to 4 times longer than other polishes or waxes. Provides long-lasting protection against stains and UV rays.



Part No.	Capacity
JPW7849	473ml

Pre-Softened Paste Wax

Easy to use pre-softened wax formula. Provides a deep, rich shine and long lasting protection against fading, chalking, oxidation and UV rays.

- Use on fiberglass, aluminium, chrome, and on painted surfaces.
- Cleans, shines and protects in one easy step.
- May be applied in direct sunlight.



Part No.	Capacity
JPW7852	397g

Paste Rubbing Compound for Medium Oxidation



Easy to use on fiberglass, metal and painted surfaces to remove stains, medium oxidation and scratches.

- Great for hand or buffer application.
- Pre-softened paste formula - does not set up like most rubbing compounds so removal is quick and easy.



Part No.	Capacity
JPW7842	397g

Super Orange Citrus Boat Wash & Wax



Washes, shines and protects in one easy step. Concentrated citrus extract formula whisks away dirt, grease and oil.

- Leaves a long lasting polymer shine.
- Works in fresh and salt water.



Part No.	Capacity
JPW7914	946ml

Paste Rubbing Compound for Heavy Oxidation



Easy to use on fiberglass, metal and painted surfaces to remove stains, heavy oxidation and scratches.

- Great for hand or buffer application.
- Pre-softened paste - does not set up like most rubbing compounds so removal is quick and easy.



Part No.	Capacity
JPW7843	397g

Boat Wash In a Bottle



Biodegradable, heavy-duty and safe for use on all marine surfaces. Leaves hulls, decks, chrome and fittings sparkling. Remove dirt, fish blood, salt deposits, road grime, exhaust smudges, waterline stains etc.

- Non-streaking, does not leave residue.
- Will not remove wax or polish.
- Concentrated - use only 3 capfuls to clean a 7m boat.



Part No.	Capacity
JPW7921	473ml

Chrome & Stainless Polish



Quickly removes surface corrosion, cleans and leaves a dazzling shine on chrome and stainless steel surfaces in one easy step. Also suitable for copper, tin and brass. No hard buffing needed - easy to use 'wipe on, wipe off' formula.

- Bonds to metal and provides a barrier for long lasting protection against future stains and corrosion.
- Resists salt and water spray.
- Removes dirt, grime, salt deposits, surface rust.



Part No.	Capacity
JPW7891	250ml

Boat Wash & Wax



Ideal for cleaning all marine surfaces - shines and protects in one easy step.

- Concentrated formula for economical use.
- Durable polymer protection resists weathering and stains.
- Fresh, new eco-blueberry scent.



Part No.	Capacity
JPW7923	473ml

Super Orange Citrus Boat Wash



Biodegradable and concentrated for economical use. Removes dirt, oil and grease from fiberglass, metal and painted surfaces.

- Citrus extract formula is tough on dirt but gentle to the surface being cleaned.
- Will not remove wax or polish.
- Works in fresh and salt water.



Part No.	Capacity
JPW7912	946ml

Super Orange Citrus Bilge Cleaner



Biodegradable citrus extract formula emulsifies oil, grease and transmission fluid.

- Easy to use - pour in, run boat, pump out.
- Leaves a fresh citrus smell in bilge.



Part No.	Capacity
JPW7918	946ml

Super Orange All Purpose Citrus Cleaner Degreaser

Citrus extract formula cuts through oily surface deposits leaving the treated area sparkling clean. Cleans dirt, grime, smudges, grease and oil.

- Removes gummy residue from stickers.
- Simple spray on, wash off application.



Part No.	Capacity
JPW7916	650ml

Instant Hull Cleaner - Gel Formula

New Gel formula "sticks" where applied for maximum cling time and cleaning power. Completely covers stains to penetrate and dissolve them.

- Specifically formulated to remove the toughest stains, including rust, dried fish blood and leaf stains.
- Works on all fiberglass and painted surfaces; ideal for vertical surfaces.
- Does not contain harmful acids, safe and easy to use.



Part No.	Capacity
JPW7935	946ml

Bilge Cleaner

Biodegradable and won't harm fiberglass, rubber hoses, wiring, metal or plastic.

- Easy to use; just pour in, run boat, pump out.
- Dissolves and eliminates oil, grease, fuel, scum and sludge.



Part No.	Capacity
JPW7941	946ml

Rust Stain Remover

Easy to use spray on formula - no rubbing or scrubbing required. Removes corrosion stains caused by metal hardware, nuts, bolts and other marine fittings, rust drip stains and sprinkler rust deposits. Safe for use on fiberglass, metal and painted surfaces.

- Contains no harsh acids.



Part No.	Capacity
JPW7977	650ml
JPW7979	3.78L

Instant Hull Cleaner

Quickly and effortlessly removes stains from water line, marine growth, rust, scum line, fish blood etc. Does not contain harmful acids - safe and easy to use on fiberglass, metal and painted surfaces

- No rubbing or scrubbing.



Part No.	Capacity
JPW7934	946ml
JPW7937	3.78L

Non Skid Deck Cleaner with PTEF®

All-surface cleaner for fiberglass, vinyl, plastic, metal and painted surfaces. Removes ground-in dirt and stains - safe to use, contains no harsh chemicals.

- No hard scrubbing or rubbing.
- Will not remove wax or polish.



Part No.	Capacity
JPW7947	650ml
JPW7949	946ml
JPW7951	3.78L

EZ-On-EZ Off Hull & Bottom Cleaner

Removes deposits on boat bottoms, scum line and rust stains quickly and easily.

- Water-based, environmentally friendly formula.
- Special patented buffering process makes this product safer than other acid based bottom cleaners.



Part No.	Capacity
JPW7931	946ml

Inflatable Boat Cleaner

Heavy duty formula removes dirt, grime, scuff marks and oxidation stains. Leaves a tough protective coating and safe for use on rubber and vinyl surfaces including all types of inflatable boats and boat fenders.

- No hard rubbing or buffing required.
- Restores colour and protects against salt and UV exposure.
- Works on all PVC, Hypalon, neoprene etc.



Part No.	Capacity
JPW7966	473ml

Rib & Inflatable Boat Cleaner & Protector With PTEF

Use on Hypalon, PVC and all other inflatable boat fabrics, plus fiberglass, rubber, plastic. Dissolve stains, then rinse or wipe clean.

- PTEF polymers bond to treated surface to help repel stains and damaging UV rays.
- Removes grime - salt, bird droppings etc.
- Suitable for RIBS, inflatable boats, inflatable tow toys, kayaks and standup paddleboards.



Part No.	Capacity
JPW7969	946ml

Sail & Canvas Cleaner

Biodegradable, concentrated formula that cleans and brightens whites and colours.

- Safe and easy to use.
- Removes dirt, grease and mildew stains from sails, canvas and fabrics.
- Great for boat covers, bimini tops and sails.
- Does not weaken fabric or thread.
- Also cleans nylon or dacron sails.



Part No.	Capacity
JPW7964	473ml

Instant Black Streak Remover

Quickly removes black streaks caused by water run off. Safe for use on fiberglass, metal and painted surfaces. Will not remove wax or polish.

- Spray directly onto black streaks and wipe off; no hard scrubbing needed
- Hundreds of uses; will instantly remove stains and marks on boats, cars, caravans and around the house.



Part No.	Capacity
JPW7956	650ml

Vinyl Polish and Restorer

One-step method for keeping both new and older vinyl looking its best. Simply wipe it on, allow it to dry and buff off to leave behind a high-quality waterproof protective coating that defends against harsh UV rays and helps keep the vinyl soft and supple, all with an attractive long-lasting shine.

- Shines and protects all kinds and colours of vinyl.



Part No.	Capacity
JPW7957	473ml

Waterproofing with PTEF®

Restores water repellent qualities to virtually all marine fabrics from boat covers to bimini tops. Waterproofs car covers, tents, tarps, foul weather gear, convertible tops and more.

- Does not change the material's feel or appearance.



Part No.	Capacity
JPW7972	650ml
JPW7974	3.78L

Vinyl Shampoo & Wash

Biodegradable, concentrated formula quickly removes embedded dirt, stains and grease.

Use on vinyl-coated canvas, chairs, cushions and foul weather gear.

- Excellent for all interior and exterior vinyl.
- Restores original bright, fresh colour.
- Contains no harsh chemicals.



Part No.	Capacity
JPW7958	473ml

Fabric Cleaner with PTEF®

Formulated to dissolve and remove grease, fish blood, food spills and more.

- PTEF polymers bond to treated surface to help repel stains and UV damage.
- Ready to use for spot cleaning or treating large areas.
- Spray on, work into surface, rinse clean.
- Can be used in cars and RVs.



Part No.	Capacity
JPW7961	946ml

Rust Eater & Converter

Converts rust to stable, solid form.

- Makes excellent base coat for painting metal.
- Biodegradable.
- Special buffering process makes this acid product safe to use.



Part No.	Capacity
JPW7981	650ml

Mildew Stain Remover

Removes mildew stains on contact without heavy scrubbing. Simple to use; spray on, scrub lightly and rinse off stains.

- Safe for use on fiberglass, painted surfaces, rubber, plastic and vinyl headliners, bolsters and vinyl upholstery / stitching.
- Formulated specifically for use on marine upholstery but also ideal for home or RV use.
- Does not weaken fabric or thread.

Part No.	Capacity
JPW7953	650ml



Plastic Polish Restorer

Restores shine and clarity to acrylic, polycarbonate and most other types of plastic surfaces.

- Adds UV protection to all clear plastic surfaces.
- Use as the second step in the restoration of deteriorated plastic.

Part No.	Capacity
JPW7868	237ml



Spider Away

'Shoos-away' spiders without harming them.

- Keeps messy spiders away from your boat.
- Safe for use around pets and children.
- Ideal for use on boats, docks, boathouses, at home or in garages, etc.

Part No.	Capacity
JPW7984	650ml



Screen Cleaner & Protectant with PTEF®

Formulated for use on all marine electronics and all plastics. Spray on, wipe up excess to remove fingerprints, smudges, salt deposits

- PTEF® polymers help protect against UV damage
- Ideal for use on watertight phone cases
- Won't affect touchscreen performance.

Part No.	Capacity
JPW7863	237ml



Bird & Spider Stain Remover

Quickly dissolves messy spider and bird droppings.

- Non-toxic, all-natural formula.
- Contains no bleach and is safe for use around kids and pets.
- Will not remove polish or wax.
- Safe for all marine surfaces and fabrics.

Part No.	Capacity
JPW7987	650ml



Rain View

Improves wet weather visibility through windshield and windows.

- Use on glass.
- Works with or without windshield wipers.
- Makes surface so slick that rain and wet weather deposits literally slide off.
- High-tech formula.

Part No.	Capacity
JPW7861	237ml



Plastic Scratch Remover

Restores hazy or yellowed clear plastic enclosures. Removes fine scratches from acrylic, polycarbonate and most other types of plastic surfaces.

- Cleans off stains, salt deposits and surface discoloration.
- Use as the first step in the restoration of deteriorated plastic.

Part No.	Capacity
JPW7866	237ml



Snap & Zipper Lubricant with PTEF®

Keeps boat snaps and zippers working properly on enclosures, vinyl cushions, boat covers and more.

- Apply to metal or plastic zippers and snaps to protect against corrosion, reduce wear and friction, prevent binding and repel salt spray deposits.
- Non-toxic, non-staining.
- Will not wash off.

Part No.	Capacity
JPW8042	50g



Premium Teak Cleaner - Step 1

Safe and easy to remove stains and weathering from all fine woods. The first step in restoration of grey, weathered teak.

- No need to sand after cleaning.
- Does not raise wood grain.
- Cleans without hard rubbing.
- Ideal for use on teak furniture and home decks.

Part No.	Capacity
JPW7992	473ml
JPW7993	946ml



Tropical Teak Oil/Sealer Classic Teak

Has the same warm golden finish as freshly oiled teak. One coat of this product will outlast any oil or sealer.

- No drip, no splash formula.
- Replaces teak oils.
- Keeps teak from turning black.
- Very long lasting, even in tropical sun and salt.

Part No.	Capacity
JPW8018	473ml
JPW8019	946ml



Premium Teak Brightener - Step 2

Brightens teak and other fine woods. Highlights wood grain and enhances warm natural colour.

- Use as the second step in the restoration of grey weathered teak.
- Easy to use - just apply and rinse.
- No rubbing or scrubbing required.

Part No.	Capacity
JPW7996	473ml
JPW7997	946ml



Tropical Teak Oil/Sealer Light

Only one coat of this product is required to outlast any oil or sealer.

- No drip, no splash formula.
- Replaces teak oils.
- Keeps teak from turning black.
- Very long lasting, even in tropical sun and salt.

Part No.	Capacity
JPW8014	473ml
JPW8015	946ml



Premium Golden Teak Oil - Step 3

Extra-long lasting protection for teak, giving it a natural warm golden colour.

- Easy to use, fast drying.
- Contains ultraviolet absorbers to resist weathering.
- Lasts 4 to 6 times longer than standard teak oils.

Part No.	Capacity
JPW8005	473ml
JPW8006	946ml
JPW8007	3.78L



Teak Oil

Seals and protects teak and other fine woods. Long lasting, fast-drying, formula high to bring out the natural wood grain and colour.

- Contains UV absorbers to resist weathering.
- Oil penetrates deep into wood for maximum protection against sun, salt, alkalis, acids, staining etc.

Part No.	Capacity
JPW8000	473ml
JPW8001	946ml



Premium Teak Care Kit

Formulated using the best, most high-tech ingredients available for long-lasting protection and beauty. Ideal for use on all fine woods and wood furniture.

- Easy-to-follow three-step process produces professional-grade results even for first-time users.
- Kit has everything needed to clean, restore and protect your teak.

Part No.	Capacity
JPW8011	473ml Kit



Teak Scrub

Excellent for cleaning dirt and stains from teak.

- Use instead of bronze wool in all heavy cleaning applications.
- Will not rust, splinter, corrode or wear out.
- Hundreds of uses on the boat and around the house.

Part No.	Description
JPW8031	Stainless Steel Wool Scrub



PADDLES, OARS & WATER SKI EQUIPMENT 23

PADDLES

Deluxe Adjustable Stand-Up Paddle.....	350
Detachable Paddle.....	350
Double Kayak Paddle.....	350
Kayak Trolley	350
Kid Kayak Paddle	350
Sculls & Oars	351
Soft Grips Paddle.....	350
Telescopic Paddle	350 - 351

ACCESSORIES & SPARE PARTS

Oar Stops	352
Rowlocks	352
Ski Bridle Pulley & Float	353
Ski Hook	353
Ski Mirrors	353
Ski Rope Floats	353
Ski Ropes	353
Ski Tow Ring	353



Kayak Trolley

This lightweight fold-up alloy trolley is ideal for carrying your kayak and easy to use.

- Pneumatic wheels.



Part No.

JPW11282

Stand-Up Paddle

This SUP paddle is a great entry level paddle to suit almost everyone. The shaft is made from lightweight aluminium alloy and is fully adjustable from 1.8 - 2.3m.



Part No. Colour Length (m)

JPW5612 Black 1.8 - 2.3

Kids Kayak Paddle - 3 Piece

Black anodised aluminium shaft, with black blades and anti-drip guards.

- Separates into 3 pieces, and attaches with a locking collar.
- Locking collar has 3 button adjustments to allow for offset of the blades.
- Suits right- or left-handed paddlers.
- Straight / offset.



Part No. Extended Length (m) Fold Down Length (m)

JPW5602 1.5 0.57

Paddle Double Kayak - 1 Piece

30mm diameter anodised aluminium shaft.

- Heavy duty plastic scull blades.
- Fixed straight non-offset blades.



Part No. Colour Length (m)

JPW5621 Yellow 2.1

2-Piece Telescopic Paddle & Bag

Suitable for small boats and sailing dinghies.

- Detachable blade.
- Anodised aluminium shaft.
- Includes a red nylon bag with velcro closure.



Part No. Colour Length (cm)

JPW5600 Red 45 - 107

Telescopic Paddle

Combined paddle and T-handled boat hook.

- 25mm diameter aluminium shaft.
- Polypropylene blade with in-built handle.



Part No. Extended Length (m) Fold Down Length (m)

JPW5601 1.8 1.15

Detachable Paddle

Lightweight, detachable anodised aluminium shaft for easy storage.

- Can be configured to offset or straight blade, simply by adjusting the lock button.
- Paddle includes moulded rubber hand grips and anti-drip guards.



Detachable shaft for easy storage



Part No. Colour Length (m)

JPW5617 Black 2.1

JPW5618 Black 2.4

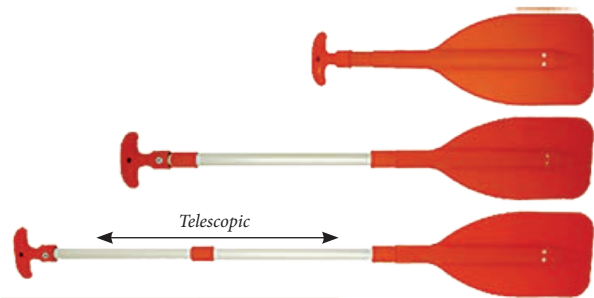
JPW5619 Yellow 2.1

JPW5620 Yellow 2.4

Telescopic Paddle

Ideal as an emergency paddle, or when space on board is at a premium.

- 3-stage twist-lock telescopic paddle.
- Anodised aluminium shaft with bright orange blade & T-handle grip.

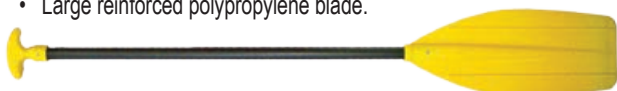


Part No.	Colour	Length (cm)
JPW5603	Orange	55 - 107

T-Grip Paddle

Available in variety of lengths and colours. Features a T-handle grip.

- 25mm diameter anodised aluminium shaft.
- Large reinforced polypropylene blade.



Part No.	Colour	Length	
		(m)	(ft)
JPW5606	Black	1.2	4
JPW5607	Red	1.2	4
JPW5608	Yellow	1.2	4
JPW5610	Black	1.5	5

Other colours available



Paddle With Soft Grip

Heavy duty 32mm diameter anodised aluminium shaft and polypropylene scull blade.

- Sold individually.



Part No.	Colour	Length	
		(m)	(ft)
JPW5614	Black	1.37	4.5

Aluminium Oars with Stops

- Easy to use and low maintenance.
- 35mm diameter silver anodised aluminium alloy shaft.
- Soft grip handles, rubber oars stops with lugs.
- Heavy black polypropylene scull blades.
- Sold in pairs.



Part No.	Length	
	(m)	(ft)
JPW5510	1.5	5
JPW5512	1.7	5.5
JPW5513	1.8	6
JPW5514	2.0	6.5
JPW5515	2.1	7

Rubber Oar Stops

Solid rubber oar stops with lugs, 3 inside diameter sizes.

- Sold in pairs.



Part No.	Length (mm)	Inside Dia (mm)
JPW5570	110	41
JPW5580	106	43
JPW5590	110	44

Telescopic Paddle With Palm Grip

Round polypropylene palm grip handle and blade.

- Anodised aluminium shaft.



Part No.	Colour	Length (cm)
JPW5616	Black	76 - 107

Rowlocks Ring

Galvanised standard ring-type rowlocks.

- Sold in pairs



Part No.	Shaft Dia	Type	Ring Dia mm)
JPW5540	12mm	Closed Ring	66

Open Rowlocks

Galvanised standard open-type rowlocks

- Sold in pairs

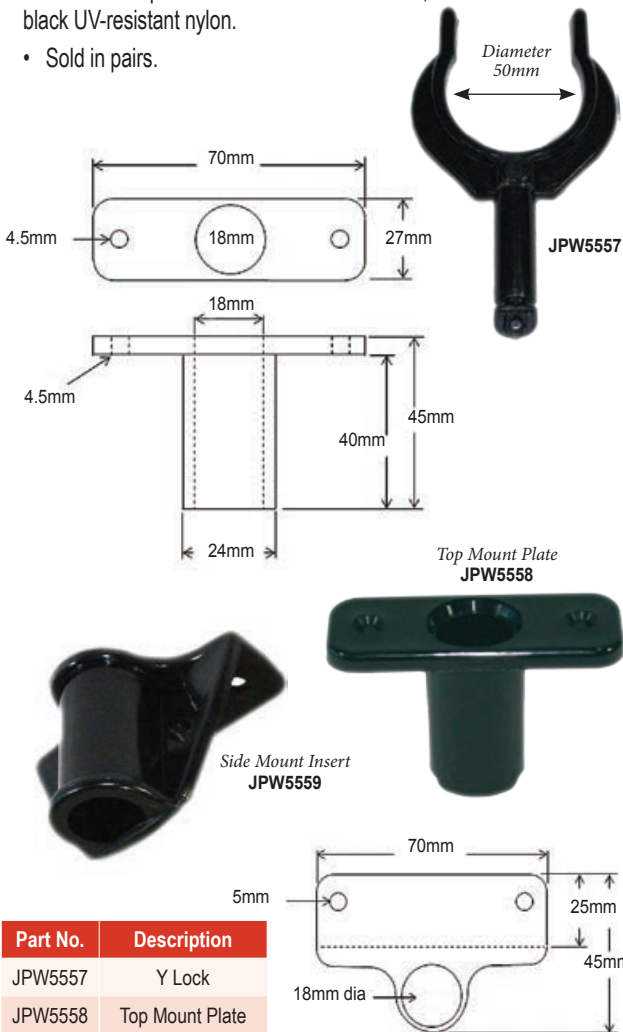


Part No.	Shaft Dia	Type	Ring Dia (mm)
JPW5548	10mm	Open	66
JPW5549	7/16"	Open	66
JPW5550	12mm	Open	66

Nylon Rowlocks

Rowlocks and plates made from non-corrosive, black UV-resistant nylon.

- Sold in pairs.



Part No.	Description
JPW5557	Y Lock
JPW5558	Top Mount Plate
JPW5559	Side Mount Insert

Medium Duty Cam Buckle Tie Down

The metal die cast cam buckle is quick and easy to use, a great universal strap for any small application.

- Made from polyester webbing for superior strength and durability.



Part No.	Dimensions (L x W)	Lashing Capacity (kg)
JPW6587	1.2m x 25mm	100
JPW6588	2.5m x 25mm	100
JPW6589	3.5m x 25mm	100

Tie Down Strap (MTD1)

For use as a lightweight restraining strap for roof racks with side release buckle.

- General purpose straps for small articles (ideal for surfboards, etc).
- Supplied as a pair.



Part No.	Dimensions (L x W)	Lashing Capacity (kg)
JPW6610	2.5m x 25mm	50

Tie Down Cam Buckle (MTD3)

These medium weight roof rack straps are excellent for just about any use. They are versatile and easy to use.

- Die-cast alloy medium duty buckle.
- Made from polyester webbing for superior durability.
- Supplied as a pair.



Part No.	Dimensions (L x W)	Lashing Capacity (kg)
JPW6612	3.5m x 25mm	75

Tie Down Stainless Steel Roof Rack

Stainless steel cam buckle that's excellent for use on a roof rack or for just about any tie-down application.

- Made from polyester webbing for superior durability.
- Added webbing pad underneath the stainless steel buckle.
- Supplied as a pair.



Part No.	Dimensions (L x W)	Lashing Capacity (kg)
JPW6616	3.5m x 25mm	75

Ski Rope - Single Team Model

Quality-made with strong multi-coloured floating rope, with cushioned aluminium core easy grip handles.

- Fully assembled ski lines.



Part No.	Dia (mm)	Length (m)
JPW11702	8	22

Ski Rope - Competition Model

Quality-made with strong multi-coloured floating rope, with cushioned aluminium core easy grip handles.

- Fully assembled ski lines.



Part No.	Dia (mm)	Length (m)
JPW11703	8	22

Ski Bridle Pulley & Float

Deluxe-style ski bridle with pulley block.

- Float to secure to the back of the boat.
- Black foam float.
- Rope colour may vary when ordering



Part No.	Dia (mm)	Length (m)
JPW11730	8	2.5

Ski Rope Floats

White/red moulded plastic floats with rope hole through the centre. Can be used for ski line floats, marker buoys, etc.

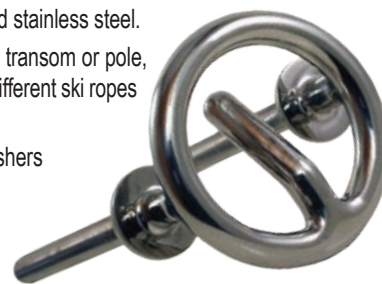


Part No.	Rope Hole Dia (mm)	Length (mm)
JPW11721	70	127
JPW11722	70	95

Heavy Duty Ski Tow Ring

316 marine-grade polished stainless steel.

- Can be mounted to the transom or pole, and easily hook on/off different ski ropes and equipment.
- 2 x 12mm nuts and washers required (not supplied).
- Anti-snag ring.
- Protrusion from transom: 30mm.



Part No.	Ring Dia (mm)	Hull Thickness (mm)
JPW11712	85	10 - 105

Chrome Ski Mirror

Shatter-proof highly chromed alloy with polished convex lens.

- Universal adjustable dash and windscreen mounting brackets included.
- Adjustable multi-position locking mechanism.



Part No.	Dimensions (mm) (L x W)
JPW11740	180 x 83

Ski Mirror - Wide View



Wide panoramic view with minimal distortion.

- Can be mounted to dash or windshield up to 1" thick.
- Tinted mirror with textured mould backing.

Part No.	Dimensions (mm) (L x W)
JPW11741	300 x 100

Ski Hook - Transom Mount

Chrome cast bronze base.

- Stainless steel hook & mount bolt.
- Keeper retains ski rope when slack.
- Comes complete with washer and nyloc nut.



Part No.	Dimensions (mm)		
	Length	Thread	Dia
JPW11710	125	55	10



JPW MARINE

AUSTRALIA'S LEADING BOATING AND MARINE WHOLESALER

64 Division Street, Welshpool WA 6106
Postal: PO Box 261, Welshpool WA 6986
www.jpwmarine.com.au

**SALES
ORDER FORM**

Phone: (08) 6253 3000 **Fax:** (08) 6253 3090 **Email:** orders@jpwmarine.com.au

Sales Rep:

Date:

Time:

Customer Name:

Freight Account No.:

Freight Instructions:

Order No.:

Order Placed By:

	QUANTITY	CODE No.	PRODUCT DESCRIPTION
1			
2			
3			
4			
5			
6			
7			
8			
9			
10			
11			
12			
13			
14			
15			
16			
17			
18			
18			
19			
20			
21			
22			
23			
24			
25			

To order more hard copies of this form, use Part No. JPWORDERPAD.

Order online or download an editable PDF order form at www.jpwmarine.com.au

HOW TO ORDER

Select products from the catalogue or through our website using the product categories or search function. Make note of the part numbers to facilitate ordering.

ONLINE



Login to our website
with your customer username & password.

www.jpwmarine.com.au

If you know our product codes, use the
'Quick Order' form for a speedy checkout.

PHONE



Call us during standard
Western Australian business hours on

(08) 6253 3000

to place order by phone.

EMAIL



Email your order to

orders@jpwmarine.com.au



JPW MARINE

AUSTRALIA'S LEADING BOATING AND MARINE WHOLESALER



JPW MARINE

AUSTRALIA'S LEADING BOATING AND MARINE WHOLESALER

64 Division Street, Welshpool WA 6106
Postal: PO Box 261, Welshpool WA 6986
Ph: (08) 6253 3000 Fax: (08) 6253 3090
Email: sales@jpwmarine.com.au
www.jpwmarine.com.au

01 ANCHOR, MOORING, DOCKING & FENDERING

02 ANCHOR WINCHES & ACCESSORIES

03 ROPE

04 HULL, DECK, CABIN HARDWARE & COVERS

05 HATCHES & PORTLIGHTS

06 ANODES

07 SEATS, TABLES & ACCESSORIES

08 OUTBOARD, FUEL FITTINGS, TANKS & ACCESSORIES

09 RIGGING & HARDWARE

10 TRAILER PARTS & ACCESSORIES

11 SAFETY EQUIPMENT

12 LIGHTING, CABIN & NAVIGATION

13 ELECTRICAL

14 PLUMBING

15 FISHING ACCESSORIES

16 STEERING WHEELS

17 MECHANICAL STEERING

18 HYDRAULIC STEERING

19 ENGINE CONTROLS

20 TRIM TABS & HATCH LIFTERS

21 THRUSTERS

22 MAINTENANCE & OILS

23 PADDLES, OARS & WATER SKI EQUIPMENT

TRADE CATALOGUE VOLUME 11

JPW MARINE are trade only suppliers - products from the catalogue are available from leading marine retail outlets throughout Australia.

