

ANCHOR WINCHES & ACCESSORIES 02

QUICK HORIZONTAL ON-DECK WINDLASS

Genius Series GP2	2.02
Hector Series HC3	2.03

QUICK VERTICAL WINDLASS

Prince Series DP2	2.04
Prince Series DP2E	2.05
Prince Series DP3	2.06
Dylan Series DH4	2.07
Dave Series DV5	2.08
Totem Series TM3	2.08

VIPER PRO DRUM WINCHES

Micro 1000	2.09 - 2.10
Rapid 1000	2.09 - 2.10
Gravity Feed 1000	2.09 - 2.10
Pro Series II 1500	2.09 - 2.10

ACCESSORIES

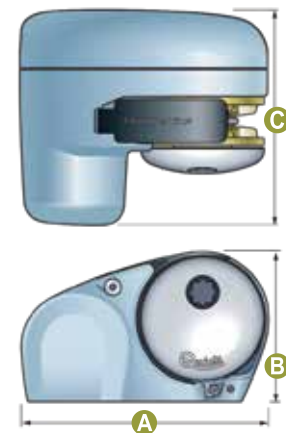
Chain Counter	2.11
Hand-Held Remote Controls	2.11 - 2.12
Pocket Remotes	2.12
Switch Panels	2.12
Hydraulic Circuit Breaker	2.12
Foot Switches	2.13
RRC Radio Receivers	2.14
Electrical Connectors	2.14
Replacement Remote Cables & Sockets	2.14
Cable Outlets	2.14
Solenoids	2.15
Rope and Chain Gypsies	2.15
Rope and Chain Kits	2.16
Chain Stopper	2.16
Chain Socks	2.16
Wiring Looms	2.17
Aluminium Boat Isolator Kit	2.17
Windlass Handles	2.17
Hawse Pipes	2.17
Bow Rollers	2.17 - 2.18



Horizontal On-Deck Windlass - Genius Series GP2

A compact, on-deck mounted windlass providing functionality and efficiency.

- Features a robust anodised marine grade alloy housing and a 316-grade stainless steel gypsy.
- Patented 'Free Fall' mechanism to allow the anchor to free fall at the touch of a button – the serious fisherman's friend!
- All winches supplied standard with contactor and circuit breaker.



WINCH KITS - STANDARD OR FREEFALL

Part No.	Type	Gypsy Size
GP2 1200		
QFSGM02500006A03	Standard	6mm
QFSGM02500008A01	Standard	8mm
QFSGM0250F006A02	Free Fall	6mm
QFSGM0250F008A01	Free Fall	8mm
GP2 1500		
QFSGP21500006A01	Standard	6mm
QFSGP21500008A01	Standard	8mm
QFSGP21500F06A01	Free Fall	6mm
QFSGP21500F08A01	Free Fall	8mm
GP2 2000		
QFSGP22012008A06	Standard	8mm
QFSGP22012F08A01	Free Fall	8mm

Model	Dimensions (mm)		
	A	B	C
GP 1200	213	129	184
GP2 1500 / GP2000	249	135	217

SWITCH OPTIONS - Suggested only

Part No.	Description
Console Switch	
QFPWCS8200000A00	WCS820 Toggle Control Switch Up / Down
QFPWCS8300000B00	WCS830 Rocker Control Switch Up / Down
Foot Switch	
QFP900DB00000A00	Foot Switch Anchor DOWN Black (White Button)
QFP900DW00000A00	Foot Switch Anchor DOWN White (White Button)
QFP900UB00000A00	Foot Switch Anchor UP Black (Red Button)
QFP900UW00000A00	Foot Switch Anchor UP White (Red Button)

ANCHOR ROPE AND CHAIN KITS - Suggested only

- Alternative rope and chain kits can be made to order.

Part No.	Shortlink Chain		Nylon Rope	
	Size (mm)	Length (m)	Size (mm)	Length (m)
JPW1020	6	10	12.7	50
JPW1026	6	10	12.7	100
JPW1021	6	20	12.7	100
JPW1024	8	10	12.7	50
JPW1025	8	10	12.7	100

Hand Held Remote

QFPHRC1002000C00	HRC 1002 Handheld Remote 2 Button
QFPHRC1002L00D00	HRC 1002L Handheld Remote 2 Button with LED

Wireless Remote

QFR810000000A00	External Antenna 433/434Mhz
QFRRRCH020000B00	RRC H02 Handheld Radio Remote 2 Button
QFRRRCP020000A00	RRC P02 Pocket Transmitter 2 Button
QFRRRCPW40000A00	RRC PW4 Pocket Transmitter 4 Button
QFRRRCR020000B00	RRC R02 Radio Receiver 2 Channel
QFRRRCR040000B00	RRC R04 Radio Receiver 4 Channel

SPECIFICATIONS

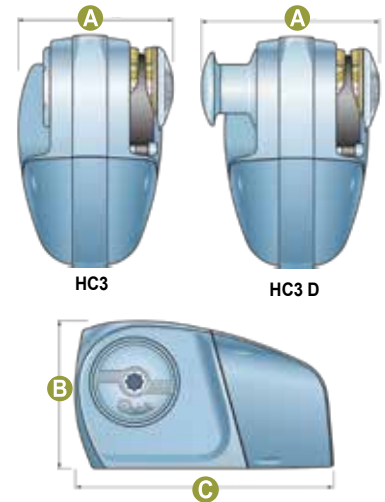
Model	Watts	Amps under load	Voltage	Max. Working load	Chain speed at working load	Suits chain size DIN766	Suits rope size	Suggested boat size	Contactor supplied	Circuit Breaker supplied
GP2 1200	250w	35A	12v	170kg	25.1mpm	6 or 8mm	12.7mm	6 - 9m	T6411-12	40A
GP2 1200FF	250w	35A	12v	170kg	25.1mpm	6 or 8mm	12.7mm	6 - 9m	T6411-12	40A
GP2 1500	500w	76A	12v	250kg	10.3mpm	6 or 8mm	12.7mm	6 - 10m	T6415-12	50A
GP2 1500FF	500w	76A	12v	250kg	10.3mpm	6 or 8mm	12.7mm	6 - 10m	T6415-12	50A
GP2 2000	800w	96A	12v	350kg	20mpm	8mm	12.7mm	8 - 13m	T6415-12	80A
GP2 2000FF	800w	96A	12v	350kg	20mpm	8mm	12.7mm	8 - 13m	T6415-12	80A



Horizontal On-Deck Windlass - Hector Series HC3

The big brother of the Genius series of windlass, The Hector comes with built in solenoids for easy installation and is the best choice when there is little room in the anchor locker for a motor and gear box.

- Installs completely above deck.
- Anodised aluminium base.
- Integrated contactor.
- Emergency manual lift system.
- Integrated sensor and magnet for chain counter.
- Supplied without drum or with drum (drum on gypsy available on request).
- Cover is composite material.
- Clutch release and manual lift handle.
- Manual free-fall system.



Model	Dimensions (mm)		
	A	B	C
HC3	250	213	373
HC3 D	318	213	373

WINCH KITS

Part No.	Voltage	Gypsy Size
HC3 1000		
QFSHC10120008A00	12v	8mm
QFSHC10120010A00	12v	10mm
QFSHC10240010A00	24v	10mm
HC3 D 1000 with Drum		
QFSHC1012D008A00	12v	8mm
QFSHC1012D010A00	12v	10mm
HC3 1500		
QFSHC15120010A00	12v	10mm
QFSHC15240010A00	24v	10mm
HC3 D 1500 with Drum		
QFSHC1512D010A00	12v	10mm
QFSHC1524D010B00	24v	10mm

ANCHOR ROPE AND CHAIN KITS - Suggested only

- Alternative rope and chain kits can be made to order.

Part No.	Shortlink Chain		Nylon Rope	
	Size (mm)	Length (m)	Size (mm)	Length (m)
JPW1024	8	10	12.7	50
JPW1025	8	10	12.7	100
JPW1022	8	10	14.2	50
JPW1023	8	10	14.2	100

SPECIFICATIONS

Model	Watts	Amps under load	Voltage	Max. Working load	Chain speed at working load	Suits chain size DIN766	Suits rope size	Suggested boat size (m)	Contactor supplied	Circuit Breaker supplied
HC3 1000	1000w	140A	12v	400kg	17.8mpm	8 or 10	12.7 - 15.8mm	10 - 13m	Built in	80A
HC3 1000	1000w	80A	24v	490kg	21mpm	8 or 10	12.7 - 15.8mm	10 - 13m	Built in	50A
HC3 1500	1500w	150A	12v	450kg	17.8mpm	10	15.8mm	12 - 15m	Built in	100A
HC3 1500	1500w	85A	24v	550kg	19.2mpm	10	15.8mm	12 - 15m	Built in	50A

SWITCH OPTIONS - Suggested only

Part No.	Description
----------	-------------

Console Switch

QFPWCS820000A00	WCS820 Toggle Control Switch Up / Down
QFPWCS830000B00	WCS830 Rocker Control Switch Up / Down

Foot Switch

QFP900DB00000A00	Foot Switch Anchor DOWN Black (White Button)
QFP900DW00000A00	Foot Switch Anchor DOWN White (White Button)
QFP900UB00000A00	Foot Switch Anchor UP Black (Red Button)
QFP900UW00000A00	Foot Switch Anchor UP White (Red Button)

Hand Held Remote

QFPHRC1002000C00	HRC 1002 Handheld Remote 2 Button
QFPHRC1002L00D00	HRC 1002L Handheld Remote 2 Button with LED

Wireless Remote

QFR8100000000A00	External Antenna 433/434Mhz
QFRRRCH020000B00	RRC H02 Handheld Radio Remote 2 Button
QFRRRCP020000A00	RRC P02 Pocket Transmitter 2 Button
QFRRRCPW40000A00	RRC PW4 Pocket Transmitter 4 Button
QFRRRCR020000B00	RRC R02 Radio Receiver 2 Channel
QFRRRCR040000B00	RRC R04 Radio Receiver 4 Channel



Vertical Windlass - Prince Series DP2

AISI 316-grade stainless steel base with or without drum, integrated sensor and magnet for chain counter.

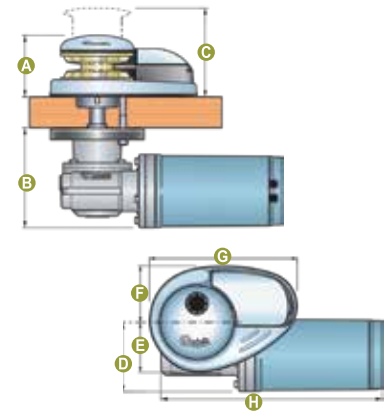
- Manual free-fall system.
- Inspection cover.
- Technopolymer gearbox.
- Supplied standard with contactor and circuit breaker.
- Motor water protection rating: IP66 (500w) / IP67 (700w and 1000w).



DP2



DP2 with Drum



WINCH KITS

Part No.	Voltage	Gypsy Size
DP2 500w		
QFSDP20512006A00	12v	6mm
QFSDP20524006A00	24v	6mm
QFSDP20512008A00	12v	8mm
QFSDP20524008A00	24v	8mm
DP2 500w with Drum		
QFSDP20512D06A00	12v	6mm
QFSDP20512D08A00	12v	8mm
DP2 700w		
QFSDP20712006A00	12v	6mm
QFSDP20724006A00	24v	6mm
QFSDP20712008A00	12v	8mm
QFSDP20724008A00	24v	8mm
DP2 700w with Drum		
QFSDP20712D06A00	12v	6mm
DP2 1000w		
QFSDP21012006A00	12v	6mm
QFSDP21024006A00	24v	6mm
QFSDP21012008A00	12v	8mm
QFSDP21024008A00	24v	8mm
DP2 1000w with Drum		
QFSDP21012D08A00	12v	8mm
QFSDP21024D08A00	24v	8mm

Model	Deck Thickness (mm)	Dimensions (mm)							
		A	B	C	D	E	F	G	H
DP2 500w	20 - 30	82	122	139	85	68	78	196	273
DP2 700w	25 - 50	82	155	139	141.5	68	78	196	326.5
DP2 1000w	25 - 50	82	156	139	146	68	78	196	344

SWITCH OPTIONS - Suggested only

Part No.	Description
Console Switch	
QFPWCS820000A00	WCS820 Toggle Control Switch Up / Down
QFPWCS830000B00	WCS830 Rocker Control Switch Up / Down
Foot Switch	
QFP900DB00000A00	Foot Switch Anchor DOWN Black (White Button)
QFP900DW00000A00	Foot Switch Anchor DOWN White (White Button)
QFP900UB00000A00	Foot Switch Anchor UP Black (Red Button)
QFP900UW00000A00	Foot Switch Anchor UP White (Red Button)
Hand Held Remote	
QFPHRC1002000C00	HRC 1002 Handheld Remote 2 Button
QFPHRC1002L00D00	HRC 1002L Handheld Remote 2 Button with LED
Wireless Remote	
QFR810000000A00	External Antenna 433/434Mhz
QFRRRCH020000B00	RRC H02 Handheld Radio Remote 2 Button
QFRRRCP020000A00	RRC P02 Pocket Transmitter 2 Button
QFRRRCPW40000A00	RRC PW4 Pocket Transmitter 4 Button
QFRRRCR020000B00	RRC R02 Radio Receiver 2 Channel
QFRRRCR040000B00	RRC R04 Radio Receiver 4 Channel

ANCHOR ROPE AND CHAIN KITS (See page 2.14)

- Made to order.

SPECIFICATIONS

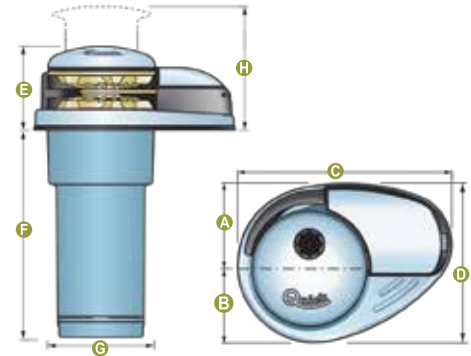
Model	Watts	Amps under load	Voltage	Max. Working load	Chain speed at working load	Suits chain size DIN766	Suits rope size	Suggested boat size	Contactor supplied	Circuit Breaker supplied
DP2 512	500w	80A	12v	200kg	24.3mpm	6 or 8mm	12.7mm	5 - 9m	T6415-12	60A
DP2 524	500w	40A	24v	220kg	24.1mpm	6 or 8mm	12.7mm	5 - 9m	T6415-24	80A
DP2 712	700w	95A	12v	300kg	11.6mpm	6 or 8mm	12.7mm	7 - 12m	T6315-12	50A
DP2 724	700w	50A	24v	320kg	14.4mpm	6 or 8mm	12.7mm	7 - 12m	T6315-24	40A
DP2 1012	1000w	130A	12v	420kg	16.5mpm	6 or 8mm	12.7mm	8 - 13m	T6315-12	80A
DP2 1024	1000w	75A	24v	480kg	19.1mpm	8mm	12.7mm	8 - 13m	T6315-24	50A



Vertical Windlass - Prince Series DP2E

The DP2E windlass is equipped with an epicyclical gearbox, that provides much higher efficiency (40% compared to equivalent traditional gearboxes).

• All winches supplied standard with contactor and circuit breaker.



WINCH KITS

Part No.	Voltage	Gypsy Size
DP2E 500w		
QFSDP2E060006A01	12v	6mm
QFSDP2E060008A01	12v	8mm
DP2E 500w with Drum		
QFSDP2E06D006A01	12v	6mm
QFSDP2E06D008A01	12v	8mm
DP2E 800w		
QFSDP2E100008A01	12v	8mm

Model	Deck Thickness (mm)	Dimensions (mm)							
		A	B	C	D	E	F	G	H
All DP2E Models	20 - 40	78	68	196	145.4	83	204.5	105	140

SWITCH OPTIONS - Suggested only

Part No.	Description
----------	-------------

Console Switch

QFPWCS820000A00	WCS820 Toggle Control Switch Up / Down
QFPWCS830000B00	WCS830 Rocker Control Switch Up / Down

Foot Switch

QFP900DB00000A00	Foot Switch Anchor DOWN Black (White Button)
QFP900DW00000A00	Foot Switch Anchor DOWN White (White Button)
QFP900UB00000A00	Foot Switch Anchor UP Black (Red Button)
QFP900UW00000A00	Foot Switch Anchor UP White (Red Button)

Hand Held Remote

QFPHRC1002000C00	HRC 1002 Handheld Remote 2 Button
QFPHRC1002L00D00	HRC 1002L Handheld Remote 2 Button with LED

Wireless Remote

QFR810000000A00	External Antenna 433/434Mhz
QFRRRCH020000B00	RRC H02 Handheld Radio Remote 2 Button
QFRRRCP020000A00	RRC P02 Pocket Transmitter 2 Button
QFRRRCPW40000A00	RRC PW4 Pocket Transmitter 4 Button
QFRRRCR020000B00	RRC R02 Radio Receiver 2 Channel
QFRRRCR040000B00	RRC R04 Radio Receiver 4 Channel

ANCHOR ROPE AND CHAIN KITS - Suggested only

• Alternative rope and chain kits can be made to order.

Part No.	Shortlink Chain		Nylon Rope	
	Size (mm)	Length (m)	Size (mm)	Length (m)
JPW1020	6	10	12.7	50
JPW1026	6	10	12.7	100
JPW1021	6	20	12.7	100
JPW1024	8	10	12.7	50
JPW1025	8	10	12.7	100

SPECIFICATIONS

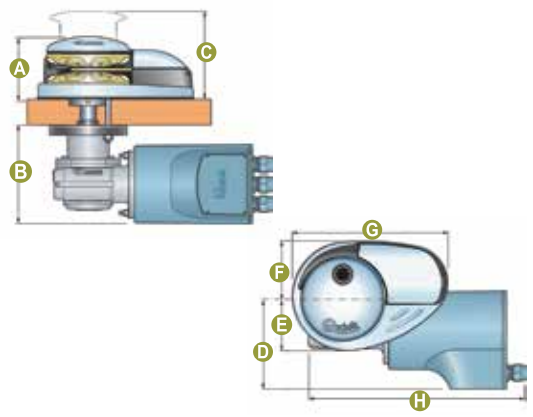
Model	Watts	Amps under load	Voltage	Max. Working load	Chain speed at working load	Suits chain size DIN766	Suits rope size	Suggested boat size	Contactors supplied	Circuit Breaker supplied
DP2E 600	500w	60A	12v	200kg	18.6mpm	6mm	12.7mm	6 - 10m	T6415-12	50A
DP2E 1000	800w	84A	12v	290kg	15.2mpm	6 or 8mm	12.7mm	7 - 12m	T6415-12	80A



Vertical Windlass - Prince Series DP3

AISI 316-grade stainless steel base with or without drum, integrated sensor and magnet for chain counter. Manual Free-Fall system, inspection cover and watertight motor anodized aluminium gearbox.

- With or without drum.
- Clutch release and manual lift handle.
- Rope and chain on a single gypsy.
- Standard with contactor and circuit breaker.
- Supplied with pressure lever inspection lid.



WINCH KITS

Part No.	Voltage	Gypsy Size
DP3 700w		
QFSDP30712008A01	12v	8mm
QFSDP30724008A01	24v	8mm
QFSDP30712010A01	12v	10mm
QFSDP30724010A01	24v	10mm
DP3 1000w		
QFSDP31012008A01	12v	8mm
QFSDP31024008A02	24v	8mm
QFSDP31012010A01	12v	10mm
QFSDP31024010A01	24v	10mm
DP3 1000w with Drum		
QFSDP31012D10A01	12v	10mm
QFSDP31024D10A01	24v	10mm
DP3 1500w		
QFSDP31512008A02	12v	8mm
QFSDP31524008A02	24v	8mm
QFSDP31512010A05	12v	10mm
QFSDP31524010A03	24v	10mm
DP3 1500w with Drum		
QFSDP31512D10A00	12v	10mm
QFSDP31524D10A03	24v	10mm

Model	Deck Thickness (mm)	Dimensions (mm)							
		A	B	C	D	E	F	G	H
DP3 700w	25 - 50	99	155.4	164	141.5	82	92	247	327
DP3 1000w	25 - 50	99	155.4	164	141.5	82	92	247	344
DP3 1500w	30 - 50	99	155.4	164	161.5	82	92	247	385

SWITCH OPTIONS - Suggested only

Part No.	Description
Console Switch	
QFPWCS820000A00	WCS820 Toggle Control Switch Up / Down
QFPWCS830000B00	WCS830 Rocker Control Switch Up / Down
Foot Switch	
QFP900DB00000A00	Foot Switch Anchor DOWN Black (White Button)
QFP900DW00000A00	Foot Switch Anchor DOWN White (White Button)
QFP900UB00000A00	Foot Switch Anchor UP Black (Red Button)
QFP900UW00000A00	Foot Switch Anchor UP White (Red Button)
Hand Held Remote	
QFPHRC1002000C00	HRC 1002 Handheld Remote 2 Button
QFPHRC1002L00D00	HRC 1002L Handheld Remote 2 Button with LED
Wireless Remote	
QFR8100000000A00	External Antenna 433/434Mhz
QFRRRCH020000B00	RRC H02 Handheld Radio Remote 2 Button
QFRRRCP020000A00	RRC P02 Pocket Transmitter 2 Button
QFRRRCPW40000A00	RRC PW4 Pocket Transmitter 4 Button
QFRRRCR020000B00	RRC R02 Radio Receiver 2 Channel
QFRRRCR040000B00	RRC R04 Radio Receiver 4 Channel

ANCHOR ROPE AND CHAIN KITS (See page 2.14)

- Made to order.

SPECIFICATIONS

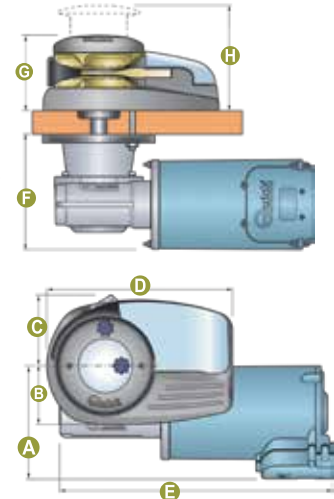
Model	Watts	Amps under load	Voltage	Max. Working load	Chain speed at working load	Suits chain size DIN766	Suits rope size	Suggested boat size	Contactor supplied	Circuit Breaker supplied
DP3 712	700w	90A	12v	250kg	14.4mpn	8 - 10mm	12.7 - 15.8mm	7 - 12m	T6315-12	50A
DP3 724	700w	55A	24v	300kg	14.8mpn	8 - 10mm	12.7 - 15.8mm	7 - 12m	T6315-24	40A
DP3 1012	1000w	140A	12v	370kg	20.4mpn	8 - 10mm	12.7 - 15.8mm	10 - 14m	T6315-12	80A
DP3 1024	1000w	80A	24v	450kg	21.4mpn	8 - 10mm	12.7 - 15.8mm	10 - 14m	T6315-24	50A
DP3 1512	1500w	155A	12v	470kg	16.3mpn	8 - 10mm	12.7 - 15.8mm	12 - 15m	T6315-12	100A
DP3 1524	1500w	85A	24v	540kg	19mpn	8 - 10mm	12.7 - 15.8mm	12 - 15m	T6315-24	50A



Vertical Windlass - Dylan Series DH4

These windlasses feature a base that is anodized aluminium in hard oxide and AISI 316-grade stainless steel. Available models with or without drum, and all include rope/chain gypsy with integrated sensor and magnet for chain counter.

- Manual free-fall system with emergency manual lift.
- Anodised aluminium gearbox.
- Supplied standard with contactor and circuit breaker.
- Supplied with pressure lever inspection lid.
- Clutch Release and manual lift handle.
- Water protection rating: IP67 (1700w) / IP66 (2000w).



WINCH KITS

Part No.	Voltage	Gypsy Size
DH4 1700w		
QFSDH17120010A00	12v	10mm
QFSDH17240010A00	24v	10mm
DH4 1700w with Drum		
QFSDH1712D010A00	12v	10mm
QFSDH1724D010A00	24v	10mm
DH4 2000w		
QFSDH20240012A00	24v	13mm
DH4 2000w with Drum		
QFSDH2024D012A00	24v	13mm

Model	Deck Thickness (mm)	Dimensions (mm)							
		A	B	C	D	E	F	G	H
DH4 1700	30 - 70	126	87	105	277	375	172.5	118	189.5
DH4 2000	30 - 70	170	87	105	277	407	180	118	189.5

SWITCH OPTIONS - Suggested only

Part No.	Description
----------	-------------

Console Switch

QFPWCS8200000A00	WCS820 Toggle Control Switch Up / Down
QFPWCS8300000B00	WCS830 Rocker Control Switch Up / Down

Foot Switch

QFP900DB00000A00	Foot Switch Anchor DOWN Black (White Button)
QFP900DW00000A00	Foot Switch Anchor DOWN White (White Button)
QFP900UB00000A00	Foot Switch Anchor UP Black (Red Button)
QFP900UW00000A00	Foot Switch Anchor UP White (Red Button)

Hand Held Remote

QFPHRC1002000C00	HRC 1002 Handheld Remote 2 Button
QFPHRC1002L00D00	HRC 1002L Handheld Remote 2 Button with LED

Wireless Remote

QFR8100000000A00	External Antenna 433/434Mhz
QFRRRCH020000B00	RRC H02 Handheld Radio Remote 2 Button
QFRRRCP020000A00	RRC P02 Pocket Transmitter 2 Button
QFRRRCPW40000A00	RRC PW4 Pocket Transmitter 4 Button
QFRRRCR020000B00	RRC R02 Radio Receiver 2 Channel
QFRRRCR040000B00	RRC R04 Radio Receiver 4 Channel

ANCHOR ROPE AND CHAIN KITS (See page 2.14)

- Made to order.



SPECIFICATIONS

Model	Watts	Amps under load	Voltage	Max. Working load	Chain speed at working load	Suits chain size DIN766	Suits rope size	Suggested boat size	Contactor supplied	Circuit Breaker supplied
DH4 1700	1700w	170A	12v	470kg	16.2mpm	10mm	15.8 - 19m	14 - 18m	T6315-12	100A
DH4 1700	1700w	95A	24v	570kg	20.8mpm	10mm	15.8 - 19m	14 - 18m	T6315-12	60A
DH4 2000	2000w	105A	24v	750kg	22.3mpm	13mm	19mm	15 - 20m	T6315-24	80A

Vertical Windlass - Dave Series DV5

AISI 316-grade stainless steel and aluminium base with or without drum, and includes either a right or left chain-entry.

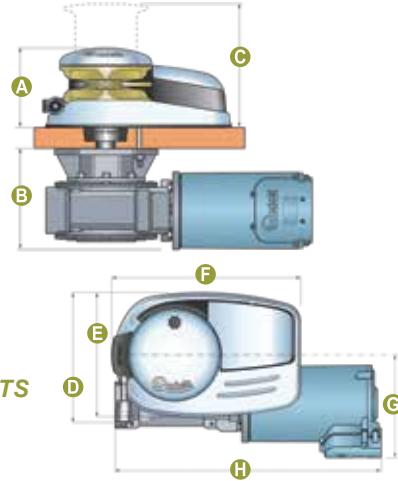
- Rope and chain on a single gypsy.
- Integrated sensor and magnet for chain counter.
- Anodised aluminium gearbox.
- Manual Free-Fall system.
- Supplied with pressure lever inspection lid.
- All winches supplied standard with contactor and circuit breaker.



DV5



DV5 with Drum



WINCH KITS

Part No.	Voltage	Chain Entry
DV5 2300		
QFSDV23240X12A00	24v	Right
QFSDV23240Y12A00	24v	Left
DV5 2300 with Drum		
QFSDV2324DX12A00	24v	Right
QFSDV2324DY12A00	24v	Left

ANCHOR ROPE AND CHAIN KITS
(See page 2.14)

- Made to order.

Model	Deck Thickness (mm)	Dimensions (mm)							
		A	B	C	D	E	F	G	H
DV5 2300	30 - 70	149	191	230	240	229	349	185	480

SPECIFICATIONS

Model	Watts	Amps under load	Voltage	Max. Working load	Drum speed at working load	Suits rope size	Suggested boat size	Contactor supplied	Circuit Breaker supplied
DV5 2300	2300w	120A	24v	850kg	23.3mpm	13mm	20 - 24m	T6315-24	80A

Vertical Capstan Windlass - Totem Series TM3

A rope-only winch that allows for easy installation, suitable for general line hauling applications on larger boats. Suitable for vertical or horizontal mounting this windlass mounts easily in any deck thickness (stud dependent).

- AISI 316-grade stainless steel base.
- Circuit breaker and contactor supplied with winch.
- Clutch Release and Manual Lift Handle.
- Patented epicyclical gearbox allows higher performance of the motor.
- Permanent magnet motor for greater output and reduced power consumption.

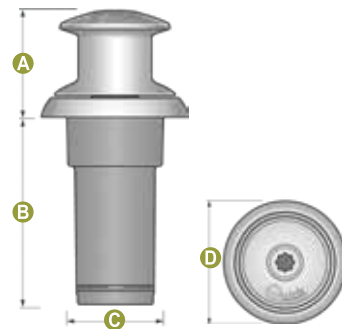


TM3



WINCH KITS

Part No.	Voltage
TM3 500w	
QFSTM30600120B00	12v
TM3 800w	
QFSTM31001200A02	12v
QFSTM31002400A02	24v



Model	Deck Thickness (mm)	Dimensions (mm)			
		A	B	C	D
All TM3 Models	20 - 30	114	203	105	160

SPECIFICATIONS

Model	Watts	Amps under load	Voltage	Max. Working load	Drum speed at working load	Suits rope size	Suggested boat size	Contactor supplied	Circuit Breaker supplied
TM3 600	500w	40A	12v	200kg	16.3mpm	8 - 14mm	8 - 12m	T6415-12	50A
TM3 1000	800w	80A	12v	290kg	16.8mpm	8 - 16mm	11 - 14m	T6415-12	80A
TM3 1100	800w	40A	24v	290kg	16.8mpm	8 - 16mm	11 - 18m	T6415-24	40A



Viper Anchor Drum Winch Bundles

The Viper range of winches are bundled with a rope and chain kit, and required accessories for a complete package.

- Constructed from 8mm plate 316 marine grade stainless steel hand polished to a mirror finish.
- All winch motors are supplied attached with 1m of 3 B&S power lead and joining connectors.

'S' Series



Micro 1000



Rapid 1000

(Shown fitted with optional rope sock)



Gravity Feed 1000

Pro Series II



Pro Series II



WINCH - BUNDLES

Part No.	Rope	Chain
'S' Series - Micro 1000		
JPW12852	60m of 6mm Double Braid Rope	6m of 6mm
JPW12855	100m of 4mm Hi Spec 3000 Rope*	6m of 6mm
'S' Series - Rapid 1000		
JPW12857	75m of 8mm 3 Strand Nylon Rope	8m of 6mm
JPW12859	100m of 6mm Double Braid Rope	8m of 6mm
JPW12861	200m of 5mm Hi Spec 3000 Rope*	8m of 6mm
'S' Series - Gravity Feed 1000		
JPW12853	90m of 6mm Double Braid Rope	8m of 6mm
JPW12851	175m of 5mm Double Braid Rope	8m of 5mm
PRO SERIES II 1500		
JPW12862	200m x 6mm Double Braid Premium	10m of 8mm
JPW12863	100m x 8mm 3 Strand Nylon Premium	10m of 8mm
PRO SERIES II 2500		
JPW12869	200m x 6mm Double Braid Premium	10m of 8mm
JPW12870	100m x 8mm 3 Strand Nylon Premium	10m of 8mm

*Hi-Spec rope kits include 10m x 8mm shock cord and 2x stainless steel shackles

See included accessories, optional extras and dimensions on the following page.

SPECIFICATIONS

Model	Gear Box	Watts	Volts	Max load	Weight	Chain speed at Max Fall	Chain speed at Max Retrieval	Suggested boat size
Micro 1000	Stainless Steel	1000w	12v	180kg	13kg	45mpm	36mpm	4m - 8m
Rapid 1000	Stainless Steel	1000w	12v	195kg	15kg	50mpm	41mpm	5.7m +
Gravity Feed	Stainless Steel	1000w	12v	-	23kg	138mpm	45mpm	5.7m +
Pro Series II 1500	Aluminium	1500w	12v	360kg	28kg	50mpm	46mpm	8m +
Pro Series II 2500	Aluminium	2500w	24v	360kg	28kg	50mpm	46mpm	8m +

Viper Anchor Drum Winch Bundles - continued



Included Accessories

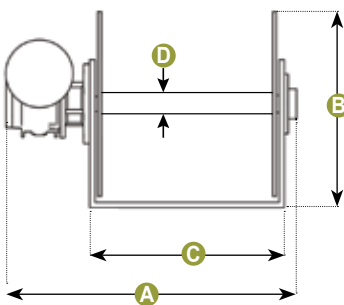


WINCH BUNDLE included accessories:

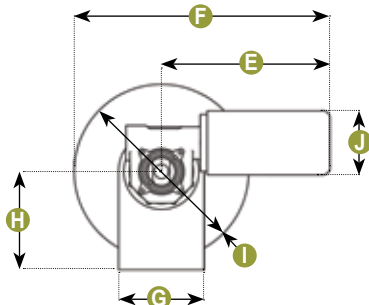
Description	Micro 1000	Rapid 1000	Gravity Feed 1000	Pro Series II
Viper Pro Anchor Winch	√	√	√	√
Rope Kit spliced to Short Link Chain	√	√	√	√
Anchor Swivel (Small or Large)	JPW12844	JPW12844	JPW12844	JPW12845
Bow Roller (Small or Large)	JPW12834	JPW12834	JPW12834	JPW12835
Reversing Solenoid (200A or 400A)	JPW12874	JPW12874	JPW12874	JPW12875
Flush Mount Circuit Breaker (100A or 135A)	JPW12877	JPW12877	JPW12877	JPW12878
LED Anchor Rocker Switch	JPW12590	JPW12590	-	JPW12590
Elite Series 2 Button Switch Panel	-	-	JPW12786	-
Single Switch Stainless Steel Face Plate	JPW12595-1	JPW12595-1	-	JPW12595-1
Switch/Circuit Breaker Stainless Steel Face Plate	JPW12595-2	JPW12595-2	-	JPW12595-2
Stainless Steel Sandwich Plate	√	√	√	√
Fixing hardware, Install Notes & Wiring Diagram	√	√	√	√

VIPER WINCH OPTIONAL EXTRAS

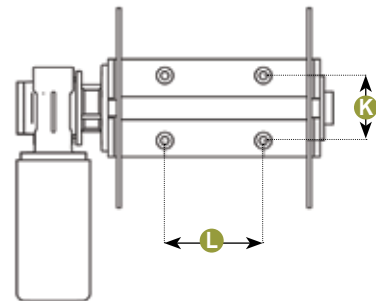
Description	Micro 1000	Rapid 1000	Gravity Feed 1000	Pro Series II 1500
Alloy Fitment Kit for Aluminium Boat Installs	JPW12822	JPW12823	JPW12823	JPW12824
Chain Sock to suit 6-8mm Short Link Chain	JPW12840	JPW12841	JPW12841	JPW12842
Hawse Pipe (Small or Large)	JPW12838	JPW12838	JPW12838	JPW12839
Bow Roller Single Roller Self-Launching	JPW12832	JPW12832	JPW12832	-
Deluxe Bow Roller - 3 Roller Self Launching	JPW12830	JPW12834	JPW12834	JPW12834
Wiring Loom for Boats up to 6m	JPW12865	JPW12865	JPW12865	-
Wiring Loom for Boats up to 8m	JPW12866	JPW12866	JPW12866	JPW12866
Wireless Remote Control	JPW12871	JPW12871	JPW12871	JPW12871



Front View



Side View



Top View

DIMENSIONS

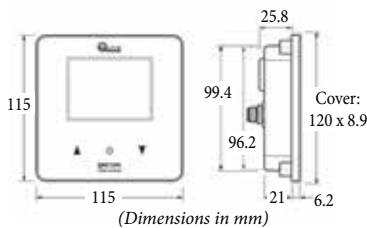
Model	Dimensions (mm)											
	A	B	C	D	E	F	G	H	I Ø	J Ø	K	L
Micro 1000	321	210	192	28	330	237	120	115	198	90	80	100
Rapid 1000	389	261	260	28	360	237	120	138	245	90	80	121
Gravity Feed	430	265	290	34	237	360	120	138	245	90	80	120
Pro Series II	485	313	315	30	520	270	145	163	300	125	80	160

Quick Digital Chain Counter



The panel surface is completely black tempered glass and features a high brightness 3.5" colour graphic display with capacitive keys.

- Automatic descent and up alarm function.
- Anchor weighing function in case of sensor failure.
- Windlass management with auto free fall.
- Display of the lowered chain length in metres, feet and fathom.
- Multilingual user interface.
- Power supply 12/24VDC.
- Functioning over a wide range of environmental temperatures.
- CAN bus Communication Interface.
- Includes protective cover, chain counter sensor kit, 500mm power supply cable, gasket and screws.



Part No.	Model
QFNQNCCHCF000A00	QNC CHC

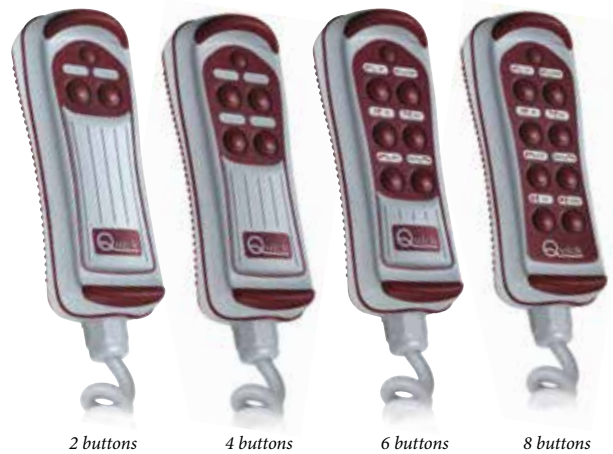
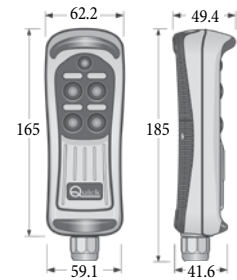


Quick Hand-Held Remote Controls - HRC



Hand-held remotes with different button configurations for a multitude of solenoid activated applications such as anchor winches, thrusters, cranes and davits. Constructed with rubber inserts to ensure high strength, long durability, perfect water-tightness, and a secure grip.

- Built-in LED torch for safe and easy anchoring at night.
- Cable extends up to 4.2m.
- Includes a watertight deck plug & socket, and support bracket for stowing.



Part No.	Model	Buttons
QFPHRC1002000C00	HRC1002	2
QFPHRC1004000C00	HRC1004	4
QFPHRC1006000C00	HRC1006	6
QFPHRC1008000C00	HRC1008	8

With LED light

QFPHRC1002L00D00	HRC1002L	2
QFPHRC1004L00C00	HRC1004L	4
QFPHRC1006L00D00	HRC1006L	6
QFPHRC1008L00C00	HRC1008L	8



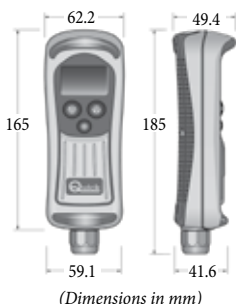
LED torch option

Quick Hand-Held Chain Counter



Features a graphic backlit LCD display, with 8 brightness levels that can be easily read from any angle. The cable connects to the deck with a watertight deck plug and socket, and the hand-held unit is stored with a mounted bracket.

- Includes curly cord that extends up to 4.2m.
- Automatic lowering and up alarm functions.
- Locked keys function.
- Windlass management with auto free fall.
- Anchor recovery function in case of sensor failure.
- Depth of chain lowered shown in metres or feet.
- Equipped with LED torch.
- CAN BUS interface for data transfer.
- Universal power supply: 12/24Vdc.



Part No.	Model
QFNCHC1103000A00	CHC 1103



QFVSPSCCHC1BCA00
Replacement Wired Plug



Viper Pro Wireless Anchor Winch Remote Control



Operate your anchor winch within a 30m wireless range, works with any brand winch that has a solenoid including automotive winches.

- One power button to turn on.
- Auto power shut off.
- Individual frequency coding.
- Suits 12V/24V systems.



Part No.
JPW12871

Quick Wireless Hand-Held Radio Remote Controls - RRC Plus

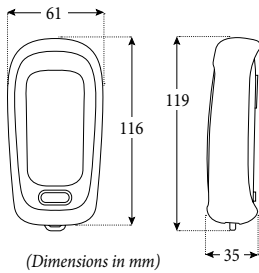
Hand-held transmitter used to control your vessels anchor winches, thrusters, cranes and davits from anywhere on your vessel.

- FSK modulation & carrier frequency 869.8 MHz
- Possibility to control more receivers with one transmitter.
- Transmission feedback and battery charge status LED indication.
- Two functions can be activated at the same time.
- To be used in conjunction with RRC Radio Receivers.
- Silicone back-lit buttons.
- Non-slip and shock-proof rubber casing.
- Watertight and floats.



H02+ **HT4+** **HT8+** **H12+**

Includes easy to apply labels (H12+ only)



(Dimensions in mm)

Part No.	Model	Channels
QFRRRCH02P000A00	H02+	2
QFRRRCH04P000A00	H04+	4
QFRRRCH12P000A00	H12+	12
QFRRRCHT4P000A00	HT4+	4
QFRRRCHT8P000A00	HT8+	8



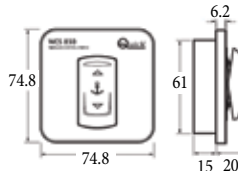
H04

Every model includes lanyard

Quick Windlass Switch Panel - Rocker Switch

Momentary, on-off-on, rocker switch type switch pane, suitable for use in multiple station installations. Used in conjunction with solenoids in heavy power demand applications.

- Scratch-resistant glossy surface.



(Dimensions in mm)

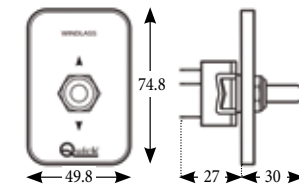


Part No.	Model
QFPWCS8100000A00	WCS830

Quick Windlass Switch Panel - Toggle Switch

Momentary, on-off-on, toggle switch type switch pane, suitable for use in multiple station installations. Used in conjunction with solenoids in heavy power demand applications.

- Scratch-resistant glossy surface and minimal frame.



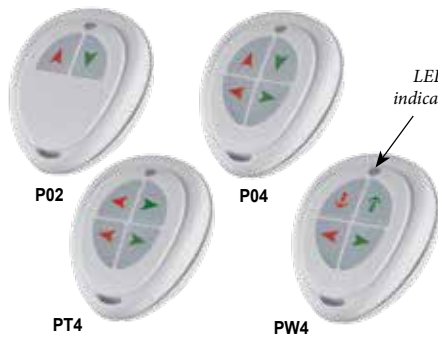
(Dimensions in mm)



Part No.	Model
QFPWCS8200000A00	WCS820

Quick Wireless Pocket Remotes

Same features as above, in a handy pocket size.

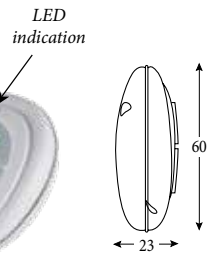


P02

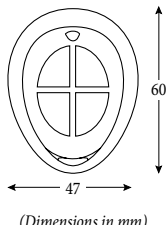
P04

PT4

PW4



(Dimensions in mm)



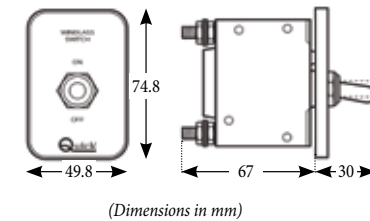
(Dimensions in mm)

Part No.	Model	Channels
QFRRRCP02P000A00	P02+	2
QFRRRCP04P000A00	P04+	4
QFRRRCPT4P000A00	PT4+	4
QFRRRCPW4P000A00	PW4+	4

Quick WCB Hydraulic Magnetic Circuit Breaker

Quick "slow burn" hydraulic magnetic circuit breakers offer protection when using direct currents. In over current situations they will trip, break the circuit and protect the equipment.

- May be reset manually and suitable up to 80V DC.



(Dimensions in mm)



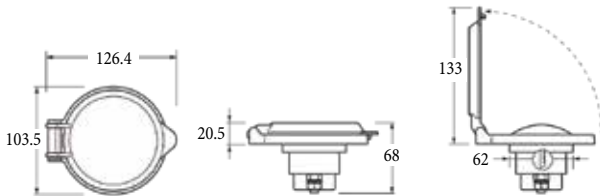
Part No.	Amps
QFDWCB0400000A00	40
QFDWCB0500000A00	50
QFDWCB0600000A00	60
QFDWCB0800000A00	80
QFDWCB1000000A00	100

Quick Foot Switches 915 Series



Multivolt 12/24V foot switches with full covers and hinge opening to prevent accidental operation. Raised black rubber boots with arrows to denote direction which are adjustable UP/DOWN for indication over the momentary switch.

- Must be used in conjunction with a solenoid.



(Dimensions in mm)

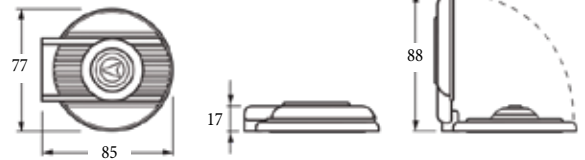
Part No.	Switch Operation	Housing Colour
QFP915CW00000A00	Up/Down	White
QFP915CX00000A00	Up/Down	Stainless Steel

Quick Foot Switches 900 Series



Multivolt 12/24V moulded plastic foot switches with hinged covers to prevent accidental foot operation, but still allowing finger operation when required. The raised arrow and colour coded rubber boot over the momentary switch denotes direction.

- Must be used in conjunction with a solenoid.



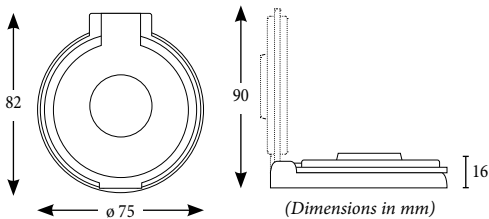
(Dimensions in mm)

Part No.	Switch Operation	Housing Colour	Button Colour
QFP900DB00000A00	Down	Black	Grey
QFP900DW00000A00	Down	White	Grey
QFP900UB00000A00	Up	Black	Red
QFP900UW00000A00	Up	White	Red
QFP900CW00000A00	On/Off	White	Blue
QFP900CB00000A00	On/Off	Black	Blue

Deck Foot Switches

Waterproof deck foot switch, suitable to any type of solenoid.

- Normally open contact.
- Multivolt 12/24V.



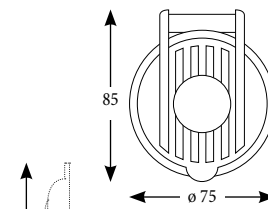
(Dimensions in mm)

Part No.	Switch Operation	Housing Colour	Button Colour
JPW15941	Down	Black	Grey
JPW15942	Up	Black	Red
JPW15943	Down	White	Grey
JPW15944	Up	White	Red

Deck Foot Switches

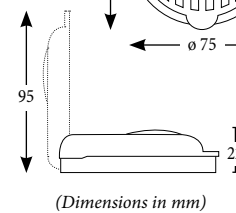
Deck mounted, foot operated switch for anchor winches or other high amp applications. Must be used in conjunction with a solenoid.

- Sold as a pair (1x UP switch & 1x DOWN switch).
- Multivolt 12/24V.
- Pre-wired 50mm cable.



JPW6188

JPW6189



(Dimensions in mm)

Part No.	Housing Colour
JPW6188	White
JPW6189	Black

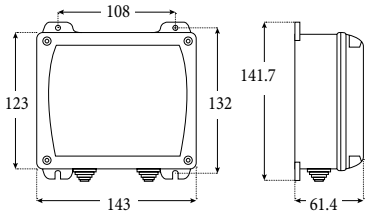
Quick RRC Plus Radio Receivers

Can be programmed to receive signals from multiple transmitters allowing for multiple applications per unit.

- FSK modulation and carrier frequency 869.8 Mhz.
- Standard radio receivers are in 2 and 4 channel configurations.
- External antenna to boost the range sold separately.




IP55



(Dimensions in mm)

Part No.	Model	Channels
QFRRRCR02P000A00	R02+	2
QFRRRCR04P000A00	R04+	4
QFRRRCR06P000A00	R06+	6
QFRRRCR08P000A00	R08+	8
QFRRRCR10P000A00	R10+	10
QFRRRCR12P000A00	R12+	12

Quick Watertight Replacement Remote Cables

Spare watertight plug and sockets to suit HRC hand held remotes or any other switch application that needs to pass through a deck or bulkhead.

- Gold plated contacts ensure a long life and superior conductivity.



Socket with 300mm wire, dust cap and rubber gasket


IP67



Plug pre-wired with 3.5m curly cord



QFVSCC71XX000A00
Replacement Watertight Cap and Gasket only

Part No.	Poles	Suits Model	Controller Type
----------	-------	-------------	-----------------

Pre-wired Plug with 3.5m Curly Cord (non-LED)

QFVSPSCHRC200A00	3	HRC 1002	2 button
QFVSPSCHRC400A00	5	HRC 1004	4 button
QFVSPSCHRC600A00	7	HRC 1006	6 button
QFVSPSCHRC800A00	9	HRC 1008	8 button

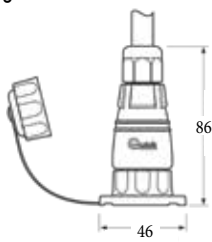
Socket with Dust Cap and Rubber Gasket

QFVSPSCHRC200A00	3	HRC 1002	2 button
QFVSPSCHRC2LDA00	6	HRC 1002L	2 button with LED
QFVSPSCHRC400A00	5	HRC 1004	4 button
QFVSPSCHRC600A00	7	HRC 1006	6 button
QFVSPSCHRC6LDA00	10	HRC 1006L	6 button with LED
QFVSPSCHRC800A00	9	HRC 1008	8 button

Quick Watertight Electrical Connectors

Waterproof black plastic deck mounted plug and socket connectors. The gold plated contacts produce a high current rating and low resistance.

- Comes complete with plug and socket, choice of 3 different size cable gaskets, screw tight cap, rubber gasket and 4 fixing screws.
- Gasket connects to the base for watertight seal.




IP67

(Dimensions in mm)



Part No.	Model	Voltage	Poles	Amps
QFC7103000000A00	7103	48	3	12A
QFC7105000000A00	7105	48	5	7A
QFC7106000000A00	7106	48	6	6A
QFC7107000000A00	7107	48	7	5A
QFC7108000000A00	7108	48	8	4A
QFC7109000000A00	7109	48	9	4A
QFC7110000000A00	7110	48	10	3A
QFC7112000000A00	7112	48	12	3A

Quick Watertight Cable Outlets

Black plastic electrical cable outlet, designed to withstand corrosion and humidity. Used when running cables throughout your boat. Designed to keep a watertight seal when penetrating through decks.

- Comes complete with cable base, cap, rubber gasket to seal and 3x stainless steel fixing screws.



Part No.	Suits Cable Size (mm)	Dimensions W x H (mm)
QFC8111000000A00	5 - 10	48 x 38
QFC8113000000A00	7 - 12	48 x 39
QFC8116000000A00	10 - 14	48 x 40

Quick Solenoids

Devices to activate windlass and winches using remote controls.

- Capable of operating electric single or double direction capstan and windlass permanent magnet or series wound motors.
- Straightforward installation due to external connections.
- Rated to 150amps.



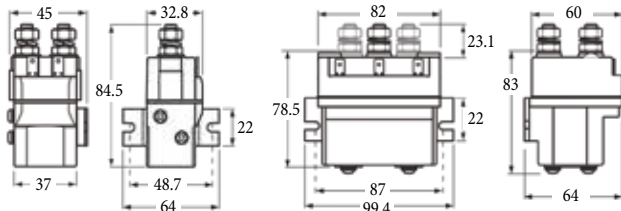
T6215



T6315



T6411
T6415

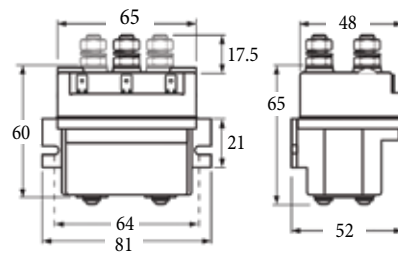


Part No.	Model	Type	Volts
QFTT621512000A00	T6215-12	Single	12
QFTT621524000A00	T6215-24	Single	24
QFTT631512000B00	T6315-12	Single	12
QFTT631524000B00	T6315-24	Single	24
QFTT641112000A00	T6411-12	Reversing	12
QFTT6411PT000A00	T6411-PT	Reversing	24
QFTT641512000B00	T6415-12	Reversing	12
QFTT641524000B00	T6415-24	Reversing	24

Reversing Solenoid

High grade, industry standard, reversing solenoid used to operate a double direction winch or capstan motor. Use in conjunction with remote up/down panel, chain counters, wireless hand held remote controls and/or foot switches.

- Straightforward installation due to external connections.
- Suits permanent magnet or series wound motors.
- Double pole double throw.
- Not for continuous use.



Part No.	Amps	Volts
JPW6113	150	12
JPW6112	150	24

Viper Pro Reversing Solenoids



These 12V reversing solenoids can be used for many marine applications as they are designed to suit the harsh marine environment.

Connections included:

- 1 x Positive terminal
- 1 x Negative terminal
- 2 x Winch motor terminals
- 3 x Switch terminals (forward, reverse and 1 negative)



JPW12874



JPW12875

Part No.	Amps
JPW12874	200
JPW12875	400

Quick Rope and Chain Gypsies



Replacement gypsies to suit Quick anchor winches and DIN766 link chain.

- All gypsies include a magnetic sensor for use with Quick digital chain counters.
- Other model gypsies available upon request.



Part No.	Chain Size (mm)	Suits Quick Winches
QFVSSB0706A00A00	6	Aster / Crystal
QFVSSB0406000A00	6	Prince DP1 / Eagle E1 / Rider R1
QFVSSB0706G0MA00	6	Genius GP2 1200/1500
QFVSSB100851TA00	8	Aleph AL3 700/1000/1500
QFVSSB101038TA00	10	Aleph AL3 700/100/1500
QFVSSB0708G0MA00	8	Genius GP2 1200/1500/2000
QFVSSB100851HA00	8	Hector 1000/1500
QFVSSB101038HA00	10	Hector 1000/1500
QFVSSB1510380A00	10	Dylan 1500/1700/2000
QFVSSB101038AA00	10	Aries
QFVSSB1512130A00	12-13	Dylan 1500/1700/2000
QFVSSBDP20600A00	6	Prince DP2 300/500/700/1000
QFVSSBDP20800A00	8	Prince DP2 300/500/700/1000
QFVSSBDP31038A00	10	Prince DP3 700/1000/1500
QFVSSBDP38516A00	8	Prince DP3 700/1000/1500

Viper Pro Drum Winch Rope and Chain Kits



Rope and chain kits pre-spliced with short link chain, best selected to suit the drum size of each model.

- Hi-Spec rope kits include shock cord and 2x stainless steel shackles.



Nylon rope with chain

Double braid rope with chain

Hi-Spec 3000 rope with chain, shock cord & shackles

Part No.	Rope	Chain	Breaking Strain (kg)	Suits Viper Winch
----------	------	-------	----------------------	-------------------

3 Strand Nylon Rope

JPW12810	75m x 8mm	8m x 6mm	1000	Rapid 1000
JPW12811	100m x 8mm	10m x 8mm	1000	Pro Series II

Double Braid Premium Rope

JPW12814	60m x 6mm	6m x 6mm	1000	Micro 1000
JPW12816	90m x 6mm	8m x 6mm	1000	Gravity Feed
JPW12812	100m x 6mm	8m x 6mm	1000	Rapid 1000
JPW12815	200m x 8mm	10m x 8mm	1000	Pro Series II

12 Plait UHMWPE Hi-Spec 3000 rope (includes 10m x 8mm shock cord)

JPW12818	100m x 4mm	6m x 6mm	1550	Micro 1000
JPW12820	165m x 5mm	8m x 6mm	2050	Gravity Feed
JPW12819	200m x 5mm	6m x 6mm	2050	Rapid 1000

Rope and Chain Kit for Drum Winches

Best suited for drum winches, this rope and chain has been pre-spliced for added convenience.

- 8 plait nylon rope with short link galvanised anchor chain.



Part No.	Rope	Chain
JPW1031	50m of 12mm	10m of 6mm

Rope and Chain Kits for Windlasses

Anchor rope and chain kits, 3 strand nylon rope pre-spliced to short link chain to suit anchor windlasses.

- Galvanised short link chain is calibrated to suit Quick Windlasses.
- Can be made to order upon request.



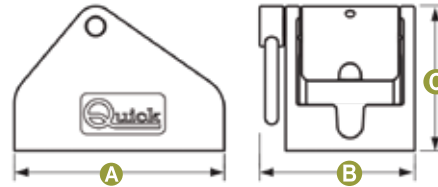
Part No.	Chain		Rope	
	Size (mm)	Length (m)	Size (mm)	Length (m)
JPW1020	6	10	12.7	50
JPW1026	6	10	12.7	100
JPW1021	6	20	12.7	100
JPW1024	8	10	12.7	50
JPW1025	8	10	12.7	100
JPW1022	8	10	14.2	50
JPW1023	8	10	14.2	100

Quick Chain Stopper



Made from polished 316-grade stainless steel, designed to take tension off your anchor winch.

- Front pawl flips up when not in use.



Part No.	Chain Size (mm)	Dimensions L x W x H (mm)		
		A	B	C
QFSCST110008A00	8	110	73	71
QFSCST110010A00	10	110	73	71
QFSCST130012A00	12	130	96	90

Viper Pro Chain Socks



Polyester blend braided chain socks to suit 6 or 8mm short link chain.



Part No.		Suits Chain		Suits Winch
Black	Green	Size (mm)	Length (m)	
JPW12840	JPW12840G	6	6	Micro 1000
JPW12841	JPW12841G	6	8	Rapid / Gravity Feed 1000
JPW12842	-	8	10	Pro Series II 1500

Viper ProWiring Looms

Custom wiring looms to suit Viper Pro 'S' Series Micro, Rapid and Gravity Feed winches.

- Marine grade 3B&S (25mm²) tinned copper wire, silicon impregnated marine heat shrink and blind tinned copper lugs.



Part No.	Suits Boat Length
JPW12865	up to 6m
JPW12866	up to 8m
JPW12867	up to 9m

Viper Pro Aluminium Boat Isolator Kit

Viper winch electrolysis insulation kit includes:

- 2x HD plastic winch sandwich plates.
- Anchor roller insulation.
- Insulation spaces for each bolt.
- Aluminium switch face plate.
- Insulation instructions.



Part No.	Suits Viper Winches
JPW12822	Micro 1000
JPW12823	Rapid/Gravity Feed 1000
JPW12824	Pro Series II 1500 Winch

Quick Windlass Handles

Anchor winch handles used to release the clutch. Standard hexagon pattern to suit most anchor winches.

- Available in 2 types.



Part No.	Shape	Material
QFVSSLVSDN000A00	Straight	Nylon
QFVSSLVSP00R1A00	Bent	Aluminium

Viper Pro Hawse Pipe

316-grade stainless steel hand polished hawse pipes ideal for use when winch is mounted below deck.

- Available in two sizes.



JPW12838

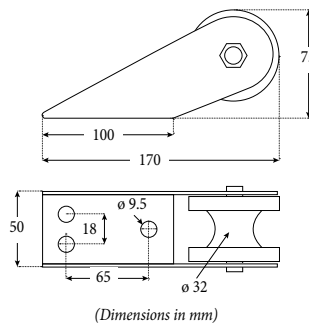
JPW12839

Part No.	Type	Base Size (mm)	Cut-out Size (mm)	Mount Holes (mm)
JPW12838	Small	156 x 95	125 x 65	5
JPW12839	Large	221 x 121	190 x 85	6

Small Bow Roller - Stainless Steel

Small 304-grade heavy duty stainless steel fixed bow roller.

- Three 9.5mm fixing holes and black roller.



(Dimensions in mm)

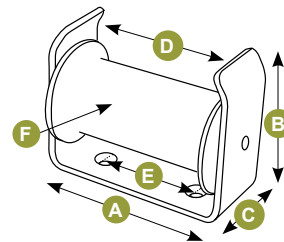


Part No.
JPW4098

Viper Pro Deluxe Anchor Rollers

316-grade stainless steel anchor rollers made from 5mm plate, hand polished to a mirror finish.

- Stainless steel bolts, nuts and washers provided.
- 2x 8mm pre-drilled mounting holes.

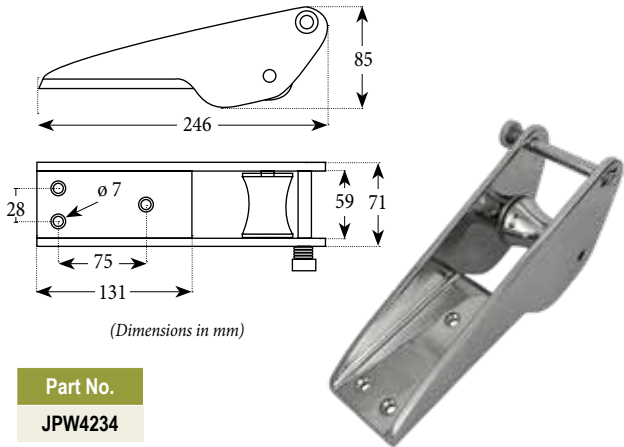


Part No.	Type	Dimensions (mm)					
		A	B	C	D	E	F
JPW12834	Small	130	105	50	100	70	53
JPW12835	Large	205	105	50	175	105	53

Bow Roller - Stainless Steel

316-grade stainless steel bow roller with spring loaded removable retaining pin and single stainless steel roller assembly

- Highly polished finish.

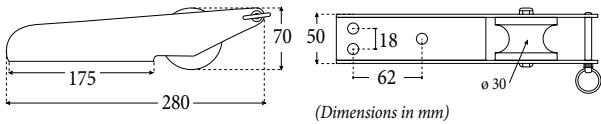


Part No.
JPW4234

Bow Roller - Stainless Steel

316-grade stainless steel bow roller with brushed finish.

- Spring loaded retaining pin
- Single roller assembly.

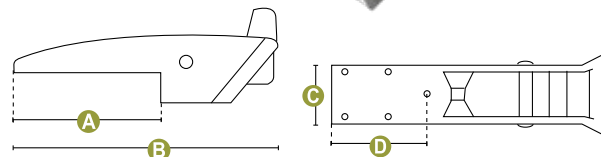


Part No.	Dimensions (mm)						
	A	B	C	D	E	F	G
JPW4099	70	280	175	50	30	62	18

Self-Launching Bow Rollers - Stainless Steel

Heavy duty marine-grade stainless steel. Designed for use with Delta/Fixed Head anchors and Rocna Original, Vulcan and Fisherman anchors.

- 2x white anchor guide rollers.
- Suit rope size 6mm or larger.



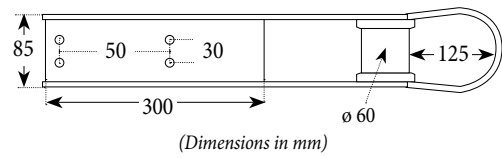
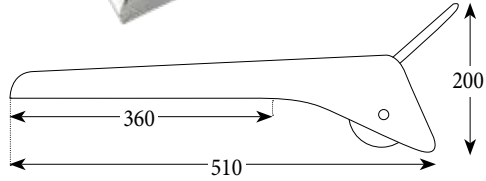
Part No.	Dimensions (mm)				Suits Anchor Size (kg)		
	A	B	C	D	Delta	Rocna	Fisherman
JPW4231	225	415	76	150	6-10	4-6	4-6
JPW4232	390	585	80	265	10	4-10	4

Viper Pro Deluxe Single Bow Roller



Made from 5mm 316-grade stainless steel, this roller is self-launching and suitable to fit almost any anchor. Allows for free falling, correct alignment upon retrieval and reduces rope chafe.

- Stainless steel bolts, nuts and washers provided.
- 4x 8mm pre-drilled mounting holes.
- Polished to a mirror finish.
- Single roller assembly.



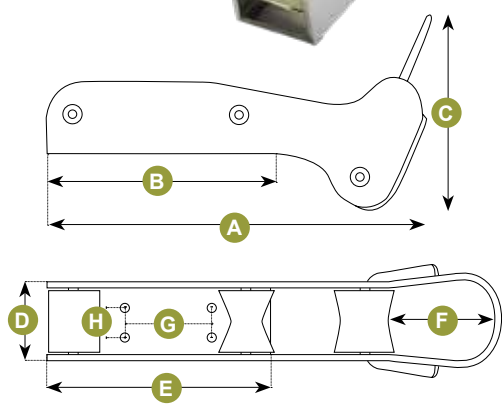
Part No.
JPW12832

Viper Pro Deluxe 3 Roller Bow Rollers



Self-launching and designed to fit most plough anchors. Made from 5mm plate 316-grade stainless steel, polished to a mirror polish.

- Safety loop to stop rope from sliding over.
- 3x high performance nylon rollers.
- 4x 8mm pre-drilled mounting holes.



Part No.	Dimensions (mm)							
	A	B	C	D	E	F	G	H
JPW12830	370	240	210	70	210	153	90	30
JPW12831	495	290	255	95	350	182	175	42