

COVERS, BIMINIS & ROCKET LAUNCHERS 05

OUTBOARD MOTOR COVERS

Custom Fit Outboard Covers	5.02
Universal Fit Outboard Covers	5.03
Trolling Motor Covers	5.03

BOAT STORAGE & TOWING COVERS

Open Boat Covers.....	5.04
Bowrider Boat Covers	5.04
Cabin Cruiser Boat Covers	5.05
Side Console Boat Covers	5.05
Runabout Boat Covers.....	5.05
Centre Console Boat Covers	5.05
Rib Boat Covers	5.06
Inflatable Boat Covers	5.06
Pilot/Cruiser Boat Covers.....	5.06
Jumbo Boat Covers.....	5.07
Universal Fit Covers.....	5.07
T-Top Boat Covers	5.07
Jet Ski Covers	5.07
Boat Cover Tie Down Kit	5.14
Boat Cover Support Pole	5.14

BIMINIS & ROCKET LAUNCHERS

T-Tops	5.08 - 5.09
Biminis.....	5.10
Rocket Launchers	5.11
Shade Extension Kits	5.12 - 5.13
Bimini Tie Down Straps.....	5.14
Replacement Bimini & T-Top Tubes	5.14

OTHER COVERS

Boat Seat Covers	5.14
Winch Covers.....	5.15
Cockpit Covers.....	5.15
Hatch Covers	5.15



Custom Fit Outboard Motor Covers

Specifically tailored to suit your engine model to give a more secure, close fit. Featuring a protective soft felt inner lining, buckle fastening, elasticized hem and advanced coating technology assures maximum water resistance.



Vented Covers

- Protection for the motor cowling.
- Designed to stay on while the motor is running.

Half Covers

- Protection for the motor cowling.
- Designed as an everyday storage solution while the engine is not in use.

Full Covers

- Full covers offer total complete protection.
- Ideal for winter storage or protection from flying debris while trailering.



Mesh vent in vented cover



Elastic Hem on all covers



Buckle fastening



#10 zipper on full cover

Due to the extensive range of Oceansouth Outboard Motor Covers available, individual part numbers have not been listed. Engine covers are grouped by motor brand, with the base part number shown against each range below.

To identify the exact part number for a specific motor model and shaft length, please refer to our website or contact your JPW sales representative.



JPW11681-??
Vented Cover

JPW11682-??
Half Cover

JPW11683-??
Full Cover



JPW11629-??
Vented Cover

JPW11630-??
Half Cover

JPW11631-??
Full Cover



JPW11620-??
Vented Cover

JPW11621-??
Half Cover

JPW11622-??
Full Cover



JPW11646-??
Vented Cover

JPW11647-??
Half Cover

JPW11648-??
Full Cover



JPW11656-??
Vented Cover

JPW11671-??
Half Cover

JPW11672-??
Full Cover



JPW11602-??
Vented Cover

JPW11603-??
Half Cover

JPW11604-??
Full Cover



Outboard Storage Covers - Universal Fit

With its soft felt inner lining, tough UV-resistant fabric, and reinforced stitching, these universal outboard covers will help provide complete protection against water, sun or grime when storing or (full cover only) trailering.

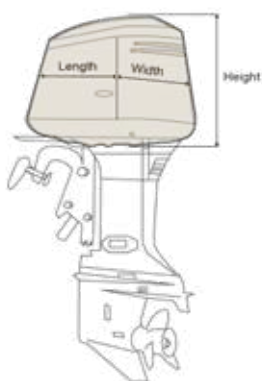
- Multiple sizes to suit 2 and 4 stroke engines.
- Draw string ensures a snug fit every time.
- Reinforced top-stitched seams.
- Felt lining for superior scratch protection.
- UV-resistant, weather-proof and water-resistant fabric.
- Full cover features a zip up leg section.

Half Covers

- Half covers are designed as an everyday storage solution.
- Offers protection for the motor cowling from the elements when not in use.



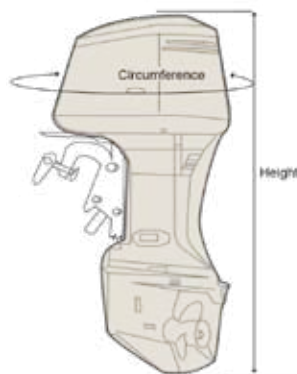
Draw string to ensure snug fit



Part No.	Oceansouth Code	Fits Engine Size	Length (mm)	Width (mm)	Height (mm)
JPW11571	MA 074-1	Up to 15HP	520	270	320
JPW11572	MA 074-2	15HP - 30HP	560	300	400
JPW11573	MA 074-3	30HP - 60HP	620	360	490
JPW11574	MA 074-4	60HP - 100HP	680	400	530
JPW11575	MA 074-5	100HP - 150HP	740	460	580
JPW11576	MA 074-6	175HP - 250HP	820	500	600

Full Covers

- Full covers offer total complete protection for the whole motor from the elements.
- Ideal for winter storage or protection from flying debris while trailering.



Part No.	Oceansouth Code	Fits Engine Size	Circumference (mm)	Height (mm)
JPW11581	MA 075-1	Up to 3.5HP	1260	980
JPW11582	MA 075-2	3.5HP - 6HP	1400	1100
JPW11583	MA 075-3	8HP - 20HP	1500	1250
JPW11584	MA 075-4	9.9HP - 30HP	1650	1370
JPW11585	MA 075-5	25HP - 60HP	1800	1440
JPW11586	MA 075-6	40HP - 100HP	2000	1700
JPW11587	MA 075-7	70HP - 150HP	2260	1900
JPW11588	MA 075-8	135HP - 250HP	2485	1970
JPW11589	MA 075-9	200HP - 300HP	2540	1980
JPW11590	MA 075-9L	200HP - 300HP	2540	2100

Oceansouth Trolling Motor Covers

Specifically designed to fit the latest trolling motor models, offering a tailored fit and protection against UV rays, saltwater and wear. The elasticised hem fits securely around the motor's mounting base, while the integrated mesh panel allows water to drain freely, preventing pooling and moisture buildup.

- Made from hard-wearing AtlasXPRO marine-grade PVC material.
- Built to withstand the toughest marine conditions.
- Versatile propeller positioning either inward or outward.

Due to the extensive range of Oceansouth Trolling Motor Covers available, individual part numbers have not been listed. Engine covers are grouped by motor brand, with the base part number shown against each range opposite.



Available in Black, Grey or White



Sturdy marine-grade zipper



JPW11564-??
Garmin



JPW11565-??
Minn Kota



JPW11567-??
Motorguide



JPW11578-??
Hawsing

To identify the exact part number for a specific motor model and shaft length, please refer to our website or contact your JPW sales representative.

Boat Storage and Towing/Trailerable Covers

Designed to fit a variety of styles of boats, these covers are constructed of the highest quality 280gsm Atlas marine fabric with flat double lock seam stitching and UV threads ensure an extended life expectancy.



- Ideal for trailering and long-term storage.
- Flat double lock seam stitching.
- Rope ratchet for easy gathering and tightening down the cover.
- Supplied in a bag for storage when not in use.
- Water resistant and breathable fabric.
- 6mm braided rope encased in hem.
- Includes a full set of rope ends, rope cleats and tie-down rope.
- Available colour: Grey (Black only for some models).



Storage bag



Twin rope ratchet



Tie down webbing loops



Tie down kit



Jet Ski covers also available



Open Boat



Bowrider



Cabin Cruiser



Runabout



Side Console



Centre Console



Jumbo



T-Top



Pilot/Cruiser



Rib Boat - Storage



Rib Boat - Trailerable



Inflatable

Open Boat Covers



Suits a variety of open boats with a smooth fit across the boat and around the hull.

- Fits boats with bow rails up to 150mm height.
- Trailerable and suitable for highway towing.



Black available on request



Part No.	Oceansouth Code	Boat Length (m)	Max. Beam Width (m)	Fabric W x L (m)
JPW11485	MA 202-3	3.5 – 3.7	1.60	2.05 x 4.30
JPW11486	MA 202-4	3.7 – 3.9	1.70	2.15 x 4.50
JPW11487	MA 202-5	3.9 – 4.1	1.80	2.25 x 4.70
JPW11488	MA 202-6	4.1 – 4.3	1.95	2.40 x 4.90
JPW11489	MA 202-7	4.3 – 4.5	2.05	2.50 x 5.10
JPW11490	MA 202-8	4.5 – 4.7	2.05	2.50 x 5.30
JPW11491	MA 202-9	4.7 – 5.0	2.25	2.70 x 5.60
JPW1149	MA 202-10	5.0 – 5.3	2.25	2.70 x 5.90
JPW11493	MA 202-11	5.3 – 5.6	2.25	2.70 x 6.20

Bowrider Boat Covers



Designed with a wide cut and tailored to stretch across the windscreen to fit the shape of bowrider boats.

- Fits boats with bow rails to 150mm height
- Fits across windcreens up to 600mm height.
- Trailerable and suitable for highway towing.



Black available on request



Part No.	Oceansouth Code	Boat Length (m)	Max. Beam Width (m)	Fabric W x L (m)
JPW11520	MA 200-9	4.7 – 5.0	2.25	3.19 x 5.66
JPW11521	MA 200-10	5.0 – 5.3	2.40	3.36 x 5.96
JPW11522	MA 200-11	5.3 – 5.6	2.40	3.36 x 6.30
JPW11523	MA 200-12	5.6 – 5.9	2.45	3.40 x 6.60
JPW11524	MA 200-13	5.9 – 6.3	2.50	3.44 x 7.04
JPW11525	MA 200-14	6.3 – 6.7	2.50	3.44 x 7.44

Cabin Cruiser Boat Covers



Tailored profile cut to accommodate cabin.

- Fits boats with bow rails up to 400mm height
- Fits across windcreens or cabins up to 900mm height.
- Trailerable and suitable for highway towing.



Part No.	Oceansouth Code	Boat Length (m)	Max. Beam Width (m)	Fabric W x L (m)
JPW11540	MA 201-9	4.7 – 5.0	2.25	3.36 x 5.96
JPW11541	MA 201-10	5.0 – 5.3	2.40	3.90 x 6.35
JPW11542	MA 201-11	5.3 – 5.6	2.40	3.90 x 6.65
JPW11543	MA 201-12	5.6 – 5.9	2.45	3.95 x 6.95
JPW11544	MA 201-13	5.9 – 6.3	2.50	4.04 x 7.35
JPW11545	MA 201-14	6.3 – 6.7	2.50	4.04 x 7.75

Runabout Boat Covers



Tailored fit across the windscreen and a smooth fit to stern.

- Fits boats with bow rails up to 250mm height
- Fits across windcreens up to 600mm height.
- Trailerable and suitable for highway towing.



Part No.	Oceansouth Code	Boat Length (m)	Max. Beam Width (m)	Fabric W x L (m)
JPW11507	MA 203-6	4.1 – 4.3	1.95	2.99 x 5.02
JPW11508	MA 203-7	4.3 – 4.5	2.05	2.99 x 5.22
JPW11509	MA 203-8	4.5 – 4.7	2.05	2.99 x 5.42
JPW11510	MA 203-9	4.7 – 5.0	2.25	3.19 x 5.72
JPW11511	MA 203-10	5.0 – 5.3	2.40	3.36 x 6.02
JPW11512	MA 203-11	5.3 – 5.6	2.40	3.36 x 6.32
JPW11513	MA 203-12	5.6 – 5.9	2.45	3.41 x 6.62
JPW11514	MA 203-13	5.9 – 6.3	2.50	3.46 x 7.02
JPW11515	MA 203-14	6.3 – 6.7	2.50	3.46 x 7.42

Side Console Boat Covers



Special cut designed to allow room for side consoles.

- Fits boats with bow rails up to 150mm height.
- Fits consoles (from Gunwale) up to 700mm in height.
- Trailerable and suitable for highway towing.



Part No.	Oceansouth Code	Boat Length (m)	Max. Beam Width (m)	Fabric W x L (m)
JPW11497	MA 205-6	4.1 – 4.3	1.95	2.89 x 4.96
JPW11498	MA 205-7	4.3 – 4.5	2.05	2.94 x 5.11
JPW11499	MA 205-8	4.5 – 4.7	2.05	2.99 x 5.39
JPW11500	MA 205-9	4.7 – 5.0	2.25	3.19 x 5.69
JPW11501	MA 205-10	5.0 – 5.3	2.40	3.44 x 5.99
JPW11502	MA 205-11	5.3 – 5.7	2.40	3.44 x 6.29

Centre Console Boat Covers



With a wider cut across the beam to accommodate for centre consoles.

- Fits boats with bow rails up to 350mm height
- Fits consoles (from Gunwale) up to 800mm height.
- Trailerable and suitable for highway towing.



Part No.	Oceansouth Code	Boat Length (m)	Max. Beam Width (m)	Fabric W x L (m)
JPW11530	MA 204-9	4.7 – 5.0	2.25	3.27 x 5.815
JPW11531	MA 204-10	5.0 – 5.3	2.40	3.42 x 6.11
JPW11532	MA 204-11	5.3 – 5.6	2.40	3.42 x 6.41
JPW11533	MA 204-12	5.6 – 5.9	2.45	3.47 x 6.71
JPW11534	MA 204-13	5.9 – 6.3	2.50	3.52 x 7.11
JPW11535	MA 204-14	6.3 – 6.7	2.50	3.52 x 7.51

Rib Boat Covers - Storage Only OCEANSOUTH

Designed to fit rib boats with centre consoles and roll bars.

- Fits boats with rear arches up to 1.5m height.
- Ideal for winter or long-term storage (not trailerable).

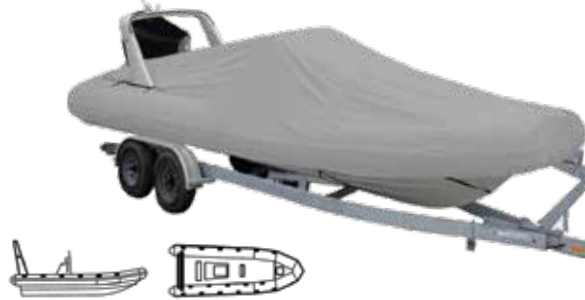


Part No.	Oceansouth Code	Boat Length (m)	Max Beam Width (m)	Fabric W x L (m)
JPW11352	MA 603-8	4.7 – 5.0	2.30	4.85 x 6.00
JPW11353	MA 603-9	5.1 – 5.3	2.30	4.85 x 6.60
JPW11354	MA 603-10	5.4 – 5.6	2.30	4.85 x 7.00
JPW11355	MA 603-11	5.7 – 5.9	2.30	4.85 x 7.30
JPW11356	MA 603-12	6.0 – 6.3	2.30	4.90 x 7.60
JPW11357	MA 603-13	6.4 – 6.7	2.50	5.05 x 7.90
JPW11358	MA 603-14	6.8 – 7.1	2.80	5.35 x 8.40
JPW11359	MA 603-15	7.2 – 7.5	2.80	5.35 x 8.70
JPW11360	MA 603-16	7.6 – 7.9	2.80	5.35 x 9.10
JPW11361	MA 603-17	8.0 – 8.3	2.80	5.35 x 9.50
JPW11362	MA 603-18	8.4 – 8.7	3.10	5.65 x 10.00
JPW11363	MA 603-19	8.8 – 9.1	3.10	5.65 x 10.50

Rib Boat Covers - Trailerable OCEANSOUTH

Design to fit rib boats with or without roll bars.

- Rear opening for roll bar with buckle fastening.
- Trailerable and suitable for highway towing.



Part No.	Oceansouth Code	Boat Length (m)	Max Beam Width (m)	Fabric W x L (m)
JPW11365	MA 602-8	4.7 – 5.0	2.30	3.70 x 6.00
JPW11366	MA 602-9	5.1 – 5.3	2.30	3.80 x 6.60
JPW11367	MA 602-10	5.4 – 5.6	2.30	3.90 x 7.00
JPW11368	MA 602-11	5.7 – 5.9	2.30	4.00 x 7.30
JPW11369	MA 602-12	6.0 – 6.3	2.30	4.20 x 7.60
JPW11370	MA 602-13	6.4 – 6.7	2.50	4.30 x 7.90
JPW11371	MA 602-14	6.8 – 7.1	2.80	4.50 x 8.40
JPW11372	MA 602-15	7.2 – 7.5	2.80	4.60 x 8.70
JPW11373	MA 602-16	7.6 – 7.9	2.80	4.70 x 9.10
JPW11374	MA 602-17	8.0 – 8.3	2.80	4.80 x 9.50
JPW11375	MA 602-18	8.4 – 8.7	3.10	5.00 x 10.00
JPW11376	MA 602-19	8.8 – 9.1	3.10	5.10 x 10.50

Inflatable Boat Covers OCEANSOUTH

The full cut at the rear allows ample room to cover an outboard motor and the semi-custom fitted bow provides a smoother fit.

- Can also be used on boats stored on vertical transom.
- Recommended for light trailering use (60km/h max).



Part No.	Oceansouth Code	Boat Length (m)	Max. Beam Width (m)	Fabric W x L (m)
JPW11475	MA 601-1	2.3 - 2.6	1.50	2.35 x 3.28
JPW11476	MA 601-2	2.6 - 2.9	1.55	2.45 x 3.58
JPW11477	MA 601-3	2.9 - 3.2	1.65	2.55 x 3.93
JPW11478	MA 601-4	3.2 - 3.6	1.75	2.66 x 4.33
JPW11479	MA 601-5	3.6 - 3.9	1.90	2.81 x 4.65
JPW11480	MA 601-6	3.9 - 4.3	2.00	3.00 x 5.11
JPW11481	MA 601-7	4.3 - 4.7	2.10	3.10 x 5.51

Pilot/Cruiser Boat Covers OCEANSOUTH

Specifically designed to fit pilot or cruiser boats. Grey or Black colour.

- Air vents on each side of the cover.
- Recommended for light trailering use (60km/h max).



Part No.		OS Code	Boat L (m)	Max Beam W (m)	Fabric W x L (mm)
Grey	Black				
JPW11408	JPW11408B	MA 503-1	5.5 - 6.0	2.5	5.9 - 8.4
JPW11407	JPW11407B	MA 503-2	6.0 - 6.5	2.7	5.9 - 9.0
JPW11409	JPW11409B	MA 503-3	6.5 - 7.0	2.7	5.9 - 9.5
JPW11406	JPW11406B	MA 503-4	7.0 - 7.5	2.9	6.3 - 9.9
JPW11410	JPW11410B	MA 503-5	7.5 - 8.0	2.9	6.3 - 10.4
JPW11414	JPW11414B	MA 503-6	8.0 - 8.5	3.1	7.1 - 11.6
JPW11411	JPW11411B	MA 503-7	8.5 - 9.0	3.1	7.1 - 12.1
JPW11412	JPW11412B	MA 503-8	9.0 - 10.0	3.5	7.4 - 13.2
JPW11413	JPW11413B	MA 503-9	10.0 - 11.0	3.5	7.4 - 14.2

Jumbo Boat Covers



Suits cruisers, T-tops, pilot boats and hard tops. Specifically designed to fit centre cabin style (large) boats.

- High cut pattern to fit over high rails and rocket launchers.
- Recommended for light trailering use (60km/h max).



Black available on request



Part No.	Oceansouth Code	Boat Length (m)	Max Beam		Fabric W x L (m)
			Width (m)	Height (m)	
JPW11550	MA 501-0	5.2 – 5.8	2.40	1.35	5.250 x 7.68
JPW11551	MA 501-1	5.8 – 6.4	2.40	1.35	5.300 x 8.18
JPW11552	MA 501-2	6.4 – 7.0	2.50	1.35	5.500 x 8.83
JPW11553	MA 501-3	7.0 – 7.6	2.70	1.50	5.700 x 9.48
JPW11554	MA 501-4	7.6 – 8.2	2.90	1.50	5.90 x 10.08

Universal Fit Boat Covers



New extra strong waterproof 160g/m2 PE Tarpaulin fabric featuring an opening for an anchor and twin rope cleat for easy tightening.

- Supplied with tie down kit.
- Protects boat from rain, dirt and UV rays.
- Suitable for seasonal storage, light trailering (60km/h max) and mooring.
- No metal parts or abrasive seams.



Opening for anchor



Part No.	Oceansouth Code	Boat Length (m)	Max. Beam Width (m)	Fabric W x L (m)
JPW11461	MA 071-1	3.3 - 4.0	1.8	2.20 x 4.47
JPW11462	MA 071-2	4.0 - 4.5	2.05	2.80 x 5.22
JPW11463	MA 071-3	4.5 - 5.4	2.4	3.40 x 5.95
JPW11464	MA 071-4	5.4 - 6.4	2.6	3.40 x 7.18

T-Top Boat Covers



Designed for T-top boats, this cover will accommodate outriggers mounts, VHF, GPS and rod holders. Suitable for boats without or low bow rails.

- Recommended for light trailering use (60km/h max).



Part No.	Oceansouth Code	Boat Length (m)	Max Beam Width (m)	Fabric W x L (m)
JPW11421	MA 505-1	5.3 – 5.6	2.60	5.90 x 7.95
JPW11422	MA 505-2	5.6 – 5.9	2.60	6.00 x 8.25
JPW11423	MA 505-3	5.9 – 6.2	2.60	6.10 x 8.60
JPW11424	MA 505-4	6.2 – 6.5	2.60	6.20 x 8.90
JPW11425	MA 505-5	6.5 – 6.8	2.60	6.30 x 9.20
JPW11426	MA 505-6	6.8 – 7.2	2.60	6.40 x 9.55
JPW11427	MA 505-7	7.2 – 7.5	2.60	6.50 x 9.80
JPW11428	MA 505-8	7.5 – 7.8	2.60	6.50 x 10.10
JPW11429	MA 505-9	7.8 – 8.1	3.00	6.60 x 10.40
JPW11430	MA 505-10	8.1 – 8.4	3.00	6.70 x 10.70
JPW11431	MA 505-11	8.4 – 8.7	3.00	6.80 x 11.00
JPW11432	MA 505-12	8.7 – 9.0	3.00	6.90 x 11.35
JPW11433	MA 505-13	9.0 – 9.3	3.00	6.90 x 11.60
JPW11434	MA 505-14	9.3 – 9.6	3.00	6.90 x 11.90
JPW11435	MA 505-15	9.6 – 9.9	3.00	6.90 x 12.15
JPW11436	MA 505-16	9.9 – 10.2	3.00	6.90 x 12.40
JPW11437	MA 505-17	10.2 – 10.5	3.00	6.90 x 12.70

Universal Jet Ski Covers



Fits a variety of Jet ski styles.

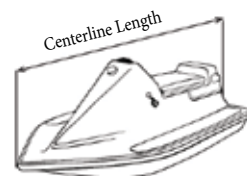
- Trailerable and suitable for highway towing.



Webbing straps



Part No.	Oceansouth Code	Centreline Length (m)
JPW11415	MA 077-1	2.5 – 2.9
JPW11416	MA 077-2	2.9 – 3.4
JPW11417	MA 077-3	3.4 – 3.7



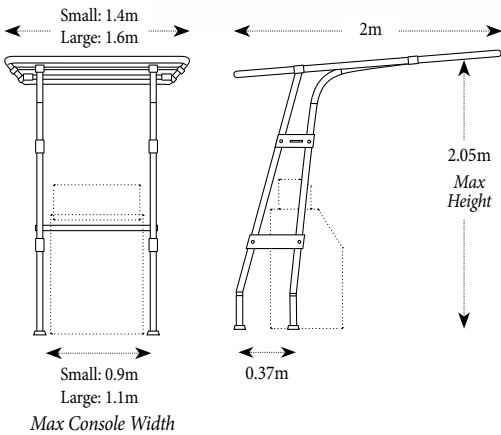
Oceansouth Heavy Duty T-Tops

Featuring thick tubes for greater strength to spread 'load' evenly across frame reducing vibration and structural fatigue.

- 44mm aluminium frame is available in white, grey, and black powder coating or a clear anodised finish.
- Adjustable height and side mounts to fit a range of centre consoles.
- 316-grade stainless steel fasteners, marine grade polymer connectors & mounts.



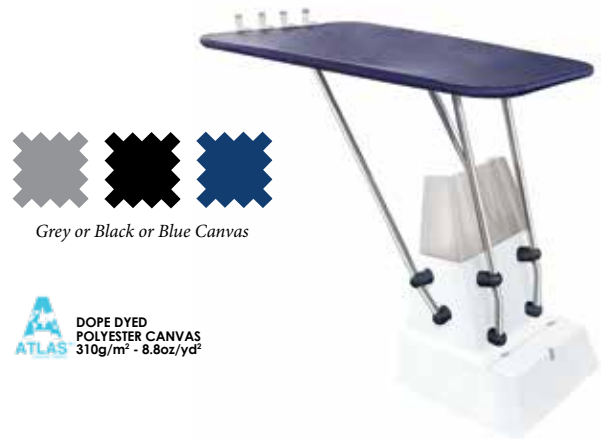
Grey or Black or Blue Canvas



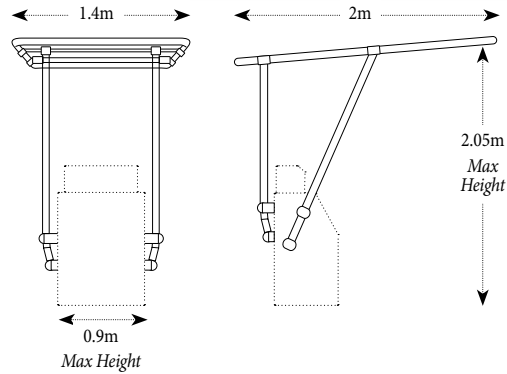
Oceansouth Heavy Duty T-Top Console Mount

This kit offers 3 distinct mounting options and the aerodynamic, sleek design allows for easy integration with a range of boat sizes and console styles.

- 44mm aluminium frame is available in white, grey, and black powder coating or a clear anodised finish.
- 316-grade stainless steel fasteners.
- High quality removable 310g/m² Atlas Marine Grade Fabric.

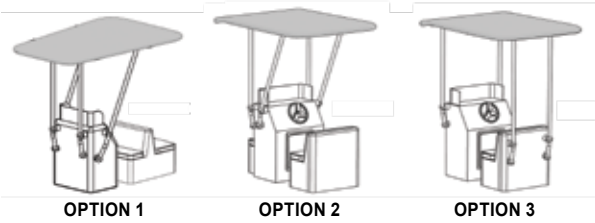


Grey or Black or Blue Canvas



Part No.	Oceansouth Code	Frame	Canvas	Type
JPW11305-1	MA 182A-B	Anodised	Navy Blue	Small
JPW11305-2	MA 182A-BK	Anodised	Black	Small
JPW11305-3	MA 182A-DG	Anodised	Grey	Small
JPW11305-4	MA 182BK-BK	Black	Black	Small
JPW11305-5	MA 182G-BK	Grey	Black	Small
JPW11305-6	MA 182G-DG	Grey	Grey	Small
JPW11305-7	MA 182W-B	White	Navy Blue	Small
JPW11305-8	MA 182W-BK	White	Black	Small
JPW11305-9	MA 182W-DG	White	Grey	Small
JPW11306-1	MA 183A-B	Anodised	Navy Blue	Large
JPW11306-2	MA 183A-BK	Anodised	Black	Large
JPW11306-3	MA 183A-DG	Anodised	Grey	Large
JPW11306-4	MA 183BK-BK	Black	Black	Large
JPW11306-5	MA 183BK-DG	Black	Grey	Large
JPW11306-6	MA 183G-BK	Grey	Black	Large
JPW11306-7	MA 183G-DG	Grey	Grey	Large
JPW11306-8	MA 183W-B	White	Navy Blue	Large
JPW11306-9	MA 183W-BK	White	Black	Large
JPW11306-10	MA 183W-DG	White	Grey	Large

MOUNTING OPTIONS



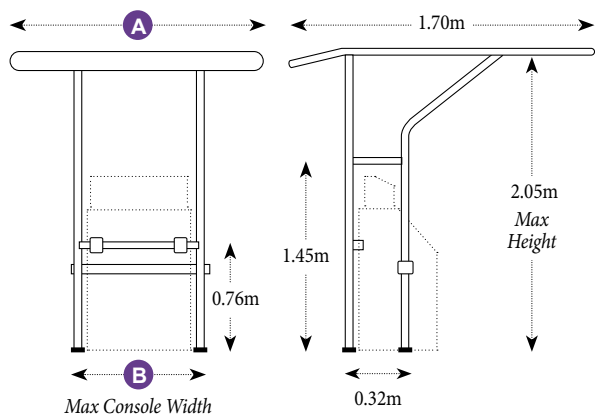
Part No.	Oceansouth Code	Frame	Canvas
JPW11307-1	MA 185A-B	Anodised	Navy Blue
JPW11307-2	MA 185A-BK	Anodised	Black
JPW11307-3	MA 185A-DG	Anodised	Grey
JPW11307-4	MA 185BK	Black	Navy Blue
JPW11307-5	MA 185BK-BK	Black	Black
JPW11307-6	MA 185G	Black	Grey
JPW11307-7	MA 185G-B	Grey	Navy Blue
JPW11307-8	MA 185G-BK	Grey	Black
JPW11307-9	MA 185G-DG	Grey	Grey
JPW11307-10	MA 185W-B	White	Navy Blue
JPW11307-11	MA 185W-BK	White	Black
JPW11307-12	MA 185W-DG	White	Grey

Oceansouth Classic T-Tops



This classic and well-tested model is adjustable to fit a range of centre console widths and can be shortened to required height.

- 32mm bright-dipped aluminium tube.
- 316-grade stainless steel fasteners, marine grade polymer connectors & mounts.
- Water repellent - suits all weather conditions.



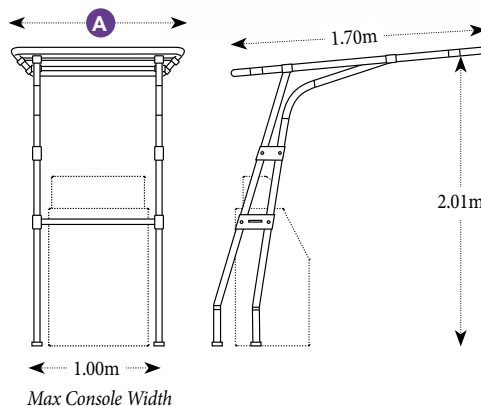
Part No.	Oceansouth Code	Colour	Type	Dimensions (m)	
				A	B
JPW11441	MA 080-1B	Blue	Small	1.2	0.85
JPW11442	MA 080-2B	Blue	Large	1.4	1.05

Signature T-Tops



Aerodynamic, sleek design with fixed frame and removable canvas cover.

- 32mm clear anodised aluminium tube.
- 316-grade stainless steel fasteners, marine grade polymer connectors & mounts.
- Water repellent - suits all weather conditions.



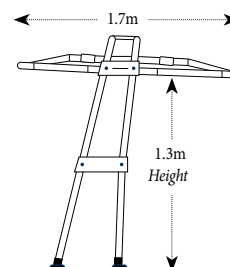
Part No.	Colour	Oceansouth Code	Type	Width A (m)
JPW11448	Blue	MA 180A-B	Small	1.2
JPW11449	Black	MA 180A-BK	Small	1.2
JPW11450	Blue	MA 181A-B	Large	1.4
JPW11451	Black	MA 181A-BK	Large	1.4

Oceansouth Targa T-Tops

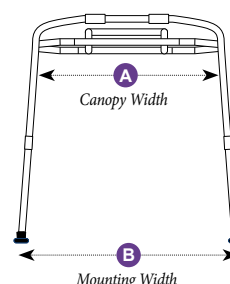


Sturdy and versatile fabric T-Top to mount directly to the gunwale and is adjustable to fit a range of centre console widths.

- 44mm aluminium tubing with black powder-coated finish.
- 316-grade stainless steel fasteners, marine grade nylon connectors & mounts.
- Easy-to-remove marine grade fabric canopy for effortless cleaning.



Part No.	Oceansouth Code	Dimensions (m)	
		A	B
JPW11453-1	MA 186BK	1.4	1.5 - 1.7
JPW11453-2	MA 187BK	1.6	1.7 - 1.9
JPW11453-3	MA 188BK	1.8	1.9 - 2.1
JPW11453-4	MA 189BK	2.0	2.1 - 2.3

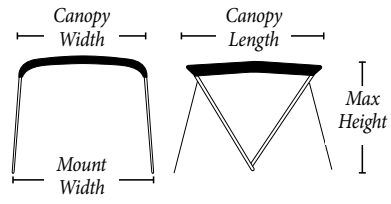




Oceansouth Biminis

Oceansouth bimini's have an adjustable mounting width and feature a breathable, water repellent cover with an integrated storage boot, suitable for all weather conditions. Supplied complete with aluminium framework, fabric, heavy duty webbing straps, crossbars and components.

- Blue or Grey fabric top.
- Anodized aluminium snap lock frame.
- 25mm anodized aluminium tubing.
- High tech polyester ATLAS canvas.
- UV and weather resistant.
- Marine grade nylon deck fittings.
- Simple to install.
- Max. speed rating: 45 knots.



Knuckle Clamp



Adjustable Deck Mount

2 Bow Bimini

- Canopy length: 1.6m
- Max height: 1.15m



Ideal for smaller open boats or runabouts.

Part No.	Oceansouth Code	Colour	Canopy Width (m)	Mounting Width (m)
JPW11299-2BL-01	MA 060-1	Blue	1.0	1.1 - 1.3
JPW11299-2BL-02	MA 060-2	Blue	1.2	1.3 - 1.5
JPW11299-2BL-03	MA 060-3	Blue	1.4	1.5 - 1.7

3 Bow Biminis

- Canopy length: 1.83m
- Max height: 1.3m



Ideal for open boats, runabouts and rib boats.

Part No.	Oceansouth Code	Colour	Canopy Width (m)	Mounting Width (m)
JPW11300-3BL-01	MA 062-1B	Blue	1.4	1.5 - 1.7
JPW11300-3GY-01	MA 062-1G	Grey	1.4	1.5 - 1.7
JPW11300-3BL-02	MA 062-2B	Blue	1.6	1.7 - 1.9
JPW11300-3GY-02	MA 062-2G	Grey	1.6	1.7 - 1.9
JPW11300-3BL-03	MA 062-3B	Blue	1.8	1.9 - 2.1
JPW11300-3GY-03	MA 062-3G	Grey	1.8	1.9 - 2.1

4 Bow Biminis

- Canopy length: 2.2m
- Max height: 1.25m



Ideal for open boats, center console and rib boats.

Part No.	Oceansouth Code	Colour	Canopy Width (m)	Mounting Width (m)
JPW11302-4BL-01	MA 063-1B	Blue	1.4	1.5 - 1.7
JPW11302-4GY-01	MA 063-1G	Grey	1.4	1.5 - 1.7
JPW11302-4BL-02	MA 063-2B	Blue	1.6	1.7 - 1.9
JPW11302-4GY-02	MA 063-2G	Grey	1.6	1.7 - 1.9
JPW11302-4BL-03	MA 063-3B	Blue	1.8	1.9 - 2.1
JPW11302-4GY-03	MA 063-3G	Grey	1.8	1.9 - 2.1
JPW11302-4BL-04	MA 063-4B	Blue	2.0	2.1 - 2.3
JPW11302-4GY-04	MA 063-4G	Grey	2.0	2.1 - 2.3

Whitewater Biminis

- Double wall thickness tubing.
- Canopy length: 1.3m
- Max height: 1.2m



Ideal for open boats, runabouts, ski boats, half cabins, cuddy cabins and v-hull boats.

Part No.	Oceansouth Code	Colour	Canopy Width (m)	Mounting Width (m)
JPW11304-WBL-01	MA 090-0B	Blue	1.2	1.3 - 1.5
JPW11304-WBL-02	MA 090-1B	Blue	1.4	1.5 - 1.7
JPW11304-WBL-03	MA 090-2B	Blue	1.6	1.7 - 1.9
JPW11304-WBL-04	MA 090-3B	Blue	1.8	1.9 - 2.1
JPW11304-WBL-05	MA 090-4B	Blue	2.0	2.1 - 2.3

Oceansouth Free Standing Rocket Launcher



Featuring unique universal mounts. Bevelled base mounts allow for a variety of mounting positions and rear thumb screws enable to fold the rod rack down.

- Anodised aluminium frame, 25mm tubing with double wall thickness.
- 6 high-impact non-corrosive polymer rod holders with metallic finish.
- All connectors and mounts made from marine grade nylon.
- Crossbars can be used to mount equipment.



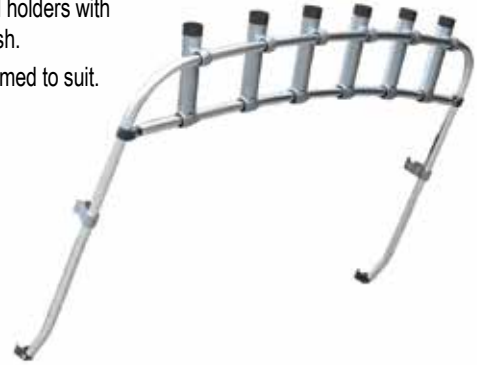
Part No.	Max Width (m)	Max Mounting Width (m)	Max Height (m)
JPW11292	1.9	2.4	1.64

Oceansouth Clamp On Rocket Launcher



Fixes easily to existing bimini tops or canopies via aluminium double knuckle clamps.

- Anodized aluminium frame, 25mm tubing with double wall thickness.
- 6 high-impact noncorrosive polymer rod holders with metallic finish.
- Can be trimmed to suit.



Part No.	Min Width (m)	Max Width (m)	Max Height (m)
JPW11290	1.2	1.9	1

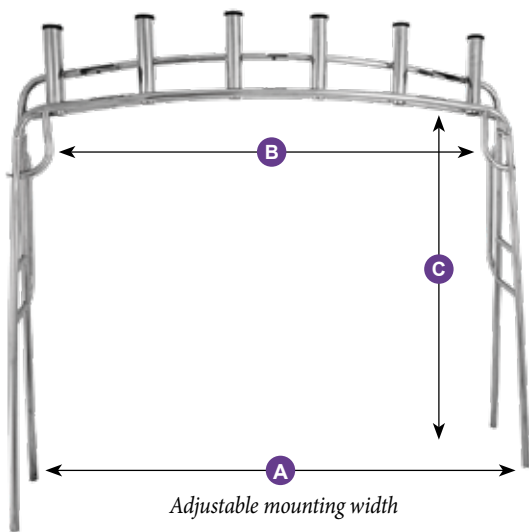
Universal Rod Rack Rocket Launcher

3 piece design, manufactured to eliminate stress points and potential cracking. Constructed from 25mm 316 grade stainless steel, hand polished mirror finish with bimini mounting rail and rear grab rails built in.

- 42mm internal diameter rod holders with plastic tops, welded gimbal pins and rolled bottoms.
- 4 mounting brackets for accessories.
- Pre-drilled tubes for internal wiring.
- All fixing hardware and tube ends supplied.



Adjustable feet



Part No.	Size	Dimensions (m)		
		A	B	C
JPW5978	Small	1.6 - 1.8	1.5	1.26
JPW5979	Medium	1.8 - 2.0	1.7	1.26
JPW5980	Large	2.2 - 2.2	1.9	1.26

Hardtop Rod Rack Rocket Launcher

Constructed from 25mm 316 grade stainless steel, hand polished mirror finish with adjustable feet to make installation easier when mounting on hard tops with a slant or angle.

- 42mm internal diameter holders with plastic tops, welded gimbal pins and rolled bottoms.
- 4 mounting brackets for accessories.
- Pre-drilled tubes for internal wiring.
- All fixing hardware and tube ends supplied.



Adjustable feet



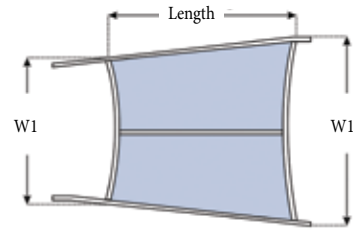
Part No.	Width (m)
JPW5975	1.43
JPW5976	1.70



Stern Shade Extension Kits

Forward-facing adjustable straps securely attach to your boat's existing T-Top or cabin. The rear stern facing straps attach to the 2 telescopic poles that are inserted into existing stern mounted rod holders and are further secured by attached and tightening down to existing stern cleats or rails.

- Breathable and UV-resistant ATLAS Marine Grade Fabric canopy.
- 32mm stainless steel telescopic poles.
- Adjustable pole height from 1.3m to 2m.
- Easy to remove and store when not in use.



T-Top Stern Shade Extension Kit

- Attach to T-Top frame with adjustable straps.
- Up to 2.4m length

Part No.				Dimensions W1 x L x W2 (m)
Blue	Black	Grey	White	
JPW11309-01B	JPW11309-01BK	JPW11309-01G	JPW11309-01W	1.2 x 1.2 x 1.5
JPW11309-02B	JPW11309-02BK	JPW11309-02G	JPW11309-02W	1.2 x 1.5 x 1.5
JPW11309-03B	JPW11309-03BK	JPW11309-03G	JPW11309-03W	1.2 x 1.8 x 1.5
JPW11309-04B	JPW11309-04BK	JPW11309-04G	JPW11309-04W	1.5 x 1.8 x 2.1
JPW11309-05B	JPW11309-05BK	JPW11309-05G	JPW11309-05W	1.5 x 2.1 x 2.1
JPW11309-06B	JPW11309-06BK	JPW11309-06G	JPW11309-06W	1.5 x 2.4 x 2.1



Hardtop Stern Shade Extension Kit

- Attach to hard top cabin via existing points such as hand rails, exposed tubing or framework, cleats etc.
- Up to 2.9m length

Part No.				Dimensions W1 x L x W2 (m)
Blue	Black	Grey	White	
JPW11309-07B	JPW11309-07BK	JPW11309-07G	JPW11309-07W	1.7 x 2.6 x 2.0
JPW11309-08B	JPW11309-08BK	JPW11309-08G	JPW11309-08W	1.7 x 2.9 x 2.0
JPW11309-09B	JPW11309-09BK	JPW11309-09G	JPW11309-09W	2.0 x 2.6 x 2.3
JPW11309-10B	JPW11309-10BK	JPW11309-10G	JPW11309-10W	2.0 x 2.9 x 2.3



Cabin Cruiser Stern Shade Extension Kit

- Attach to hard top cabin via existing points such as hand rails, exposed tubing or framework, cleats etc.
- Up to 3.2m length

Part No.				Dimensions W1 x L x W2 (m)
Blue	Black	Grey	White	
JPW11309-11B	JPW11309-11BK	JPW11309-11G	JPW11309-11W	2.3 x 2.9 x 2.6
JPW11309-12B	JPW11309-12BK	JPW11309-12G	JPW11309-12W	2.3 x 3.2 x 2.6
JPW11309-13B	JPW11309-13BK	JPW11309-13G	JPW11309-13W	2.6 x 2.9 x 2.9
JPW11309-14B	JPW11309-14BK	JPW11309-14G	JPW11309-14W	2.6 x 3.2 x 2.9

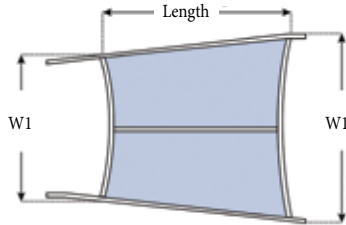




Bimini Stern Shade Extension Kit

Adjustable straps securely attach to your existing Bimini frame, and the telescopic poles insert into existing stern mounted rod holders with additional rear straps tied to stern cleats or rails.

- Adjustable height from 1.3m to 2m.
- Made with lightweight 32mm anodised aluminium poles.
- UV-treated AIRFLOW fabric canopy.
- Easy to remove and store when not in use.



30

SPEED LIMIT
IN KNOTS



Part No.			Dimensions W1 x L x W2 (m)
Blue	Black	Grey	
JPW11310-1B	JPW11310-1BK	JPW11310-1G	1.7 x 1.7 x 1.4
JPW11310-2B	JPW11310-2BK	JPW11310-2G	2.1 x 1.7 x 1.8



Rocket Launcher Stern Shade Extension Kit

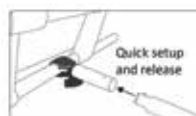
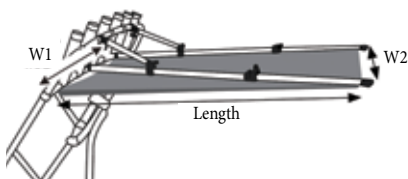


Attaches to the boat's existing rod rack using rail mounts with quick-release points, tube knuckles, thumb screws and web strapping.

- Made with lightweight 25mm anodised aluminium poles.
- UV-treated AIRFLOW fabric canopy.
- Easy to remove and store when not in use.

40

SPEED LIMIT
IN KNOTS



Part No.			Dimensions W1 x L x W2 (m)
Blue	Black	Grey	
JPW11308-1B	JPW11308-1BK	JPW11308-1G	1.09 x 1.21 x 1.37
JPW11308-2B	JPW11308-2BK	JPW11308-2G	1.42 x 1.52 x 1.82

T-Top Free Standing Stern Shade Extension Kit

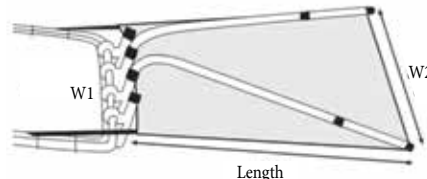


Fits into existing rod holders with adjustable straps to securely attach to a T-Top frame.

- Made with lightweight stainless steel poles.
- High-tech UV-resistant ATLAS Marine Grade Fabric canopy.
- Easy to remove and store when not in use.

20

SPEED LIMIT
IN KNOTS



Part No.			Dimensions W1 x L x W2 (m)
Black	Grey	White	
JPW11311-1BK	JPW11311-1G	JPW11311-1W	1.04 x 1.21 x 1.37
JPW11311-2BK	JPW11311-2G	JPW11311-2W	1.32 x 1.52 x 1.82

Boat Cover Webbing Tie Down Kit with Buckles - 4 pack

OCEANSOUTH

- Set of 4 adjustable tie downs.
- Polyester woven webbing
 - UV resistant nylon quick release buckles.

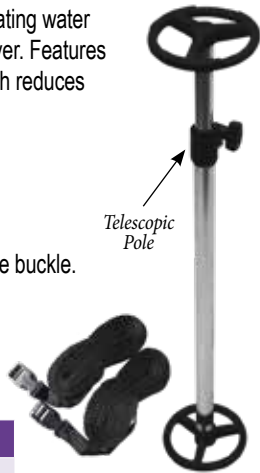


Part No.	Width (mm)	Length (m)
JPW11459	25	2.3

Boat Cover Support Pole Kit with Straps

OCEANSOUTH

- Extends the life of your cover by eliminating water pooling and debris collecting on the cover. Features a top and base solid wheel design which reduces skidding or movement of the pole.
- Suits boats up to 7.1m in length.
 - Marine grade polymers components.
 - Bright dipped aluminium pole.
 - 20m adjustable webbing, quick release buckle.



Part No.	Length (mm)
JPW11285	710 - 1220

Bimini Tie Down Strap Webbing with Hooks (Pair)

OCEANSOUTH

- This kit makes it easy to tie down your Bimini.
- Easy to install
 - Contains strap webbings, snap hooks and adjustable ladderlock buckles.
 - Supplied in a pair.



Part No.	Length (m)
JPW11396	1.3

Replacement Tubes for Biminis and T-Tops

OCEANSOUTH

- High quality tubing for use with biminis and T-tops, made from hard anodised aluminium or stainless steel.
- Wall thickness: 1.6mm
 - Length: 2m



Part No.	Type	Size O.D (mm)
JPW11283	Aluminium	25
JPW11279	Aluminium	32
JPW11284	Stainless Steel	25

Universal Boat Seat Covers

OCEANSOUTH

Easy to fit and effective solution to protecting your seats from weathering and deterioration.

- Colour: Grey
- Shock cord in hem for a tight fit around pedestal mounted seats.
- Small cover suits small pedestal seats includes webbing and buckle to cover folded seats.
- Large cover suits helm, bucket or fixed back seats.



JPW11403
Small Cover

JPW11404
Large Cover

ATLAS DOPE DYED POLYESTER CANVAS 280g/m² - 8.2oz/yd²

Part No.	Type	Dimensions (mm)		
		A	B	C
JPW11404	Small	480	460	510
JPW11403	Large	670	600	560

Heavy Duty Weatherproof Seat Covers

Keep your boat seat protected from the elements when it's not in use with this UV protected versatile, durable seat cover.

- Suits a wide variety of the larger helm, bucket seat models.
- Includes a tightening cord to keep it secure over the seat.
- Mildew and water resistant.



(Dimensions in mm)

Part No.	Colour
JPW2742	Black
JPW2743	Navy Blue

Oceansouth Deck Hatch Covers



Covers that stay in place when the hatch is opened and remain firmly secured around the hatch when closed.

- Surrounded with a drawstring and lock toggle to keep in place.
- Colour: Navy Blue
- Provides excellent UV protection.
- Reduces condensation build-up.



Square



Rectangle



Trapezoid



Round

Part No.	Oceansouth Code	Length (mm)	Width (mm)
JPW11276-1	MA 400-1	280	280
JPW11276-2	MA 400-2	330	330
JPW11276-3	MA 400-3	450	450
JPW11276-4	MA 400-4	500	500
JPW11276-5	MA 400-5	580	580
JPW11276-6	MA 400-6	700	700
JPW11276-7	MA 400-7	770	770
JPW11276-8	MA 400-8	860	860
JPW11276-9	MA 400-9	260	400
JPW11276-10	MA 400-10	400	520
JPW11276-11	MA 400-11	450	580
JPW11276-12	MA 400-12	660	620 / 520
JPW11276-13	MA 400-13	580	700 / 560
JPW11276-16	MA 400-16	300	300
JPW11276-17	MA 400-17	500	500
JPW11276-18	MA 400-18	600	600



Oceansouth Winch Covers



Suitable for most standard or self tailing winches. The simple design allows for quick fitting on/off with 25mm elasticized waist to secure cover firmly around winch.

- Double thickness stitched hem around winch base.
- Excellent UV and weather protection.



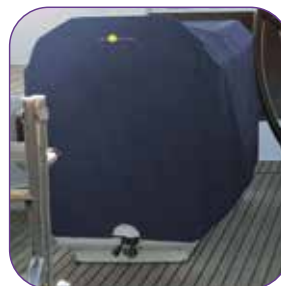
Part No.		Oceansouth Code	Base Dia (mm)	Height (mm)
Blue	Grey			
JPW11277-1B	JPW11277-1G	MA 401-1	130	130
JPW11277-2B	JPW11277-2G	MA 401-2	140	145
JPW11277-3B	JPW11277-3G	MA 401-3	145	160
JPW11277-4B	JPW11277-4G	MA 401-4	150	180
JPW11277-5B	JPW11277-5G	MA 401-5	170	200
JPW11277-6B	JPW11277-6G	MA 401-6	190	215
JPW11277-7B	JPW11277-7G	MA 401-7	200	230
JPW11277-8B	JPW11277-8G	MA 401-8	205	250
JPW11277-9B	JPW11277-9G	MA 401-9	270	280
JPW11277-10B	JPW11277-10G	MA 401-10	290	315

Oceansouth Cockpit Table Covers



Designed to uphold the integrity while preserving and protecting the boat's cockpit table.

- Shock Cord in the hem for a snug fit.
- Provides excellent UV protection.
- Reduces condensation build-up.



Part No.		OS Code	Length (mm)	Width (mm)	Height (mm)
Blue	Grey				
JPW11278-1B	JPW11277-1G	MA 401-1	950	300	650
JPW11278-2B	JPW11277-2G	MA 401-2	1050	400	650
JPW11278-3B	JPW11277-3G	MA 401-3	1200	350	650
JPW11278-4B	JPW11277-4G	MA 401-4	1250	450	700
JPW11278-5B	JPW11277-5G	MA 401-5	1350	500	700
JPW11278-6B	JPW11277-6G	MA 401-6	1450	550	700
JPW11278-7B	JPW11277-7G	MA 401-7	1550	550	700

HOW TO ORDER

Select products from the catalogue or through our website using the product categories or search function. Make note of the part numbers to facilitate ordering.

ONLINE



Login to our website
with your customer username & password.

www.jpwmarine.com.au

If you know our product codes, use the
'Quick Order' form for a speedy checkout.

PHONE

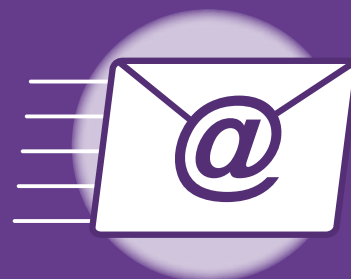


Call us during standard
Western Australian business hours on

(08) 6253 3000

to place order by phone.

EMAIL



Email your order to

orders@jpwmarine.com.au



JPW MARINE

WHOLESALE MARINE SPECIALISTS