

# ELECTRIC ANCHOR WINCH BUNDLES

WORLD CLASS STAINLESS STEEL CHANDLERY AND BOATING ACCESSORIES

## Viper PRO SERIES II 1500 ELECTRIC ANCHOR WINCH BUNDLE

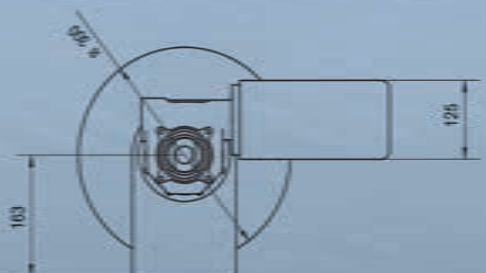
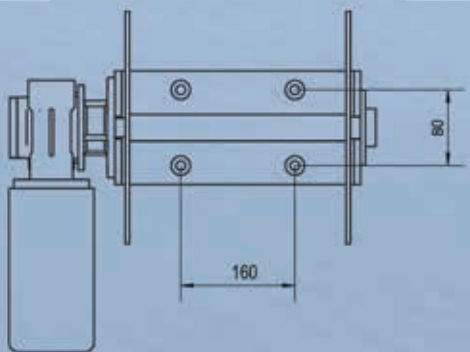
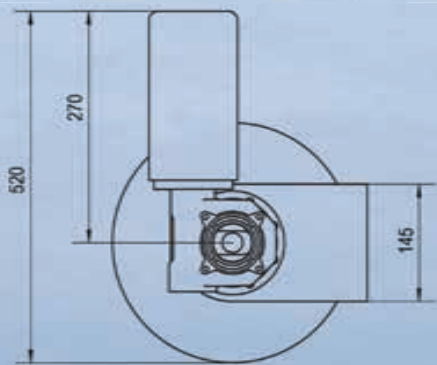
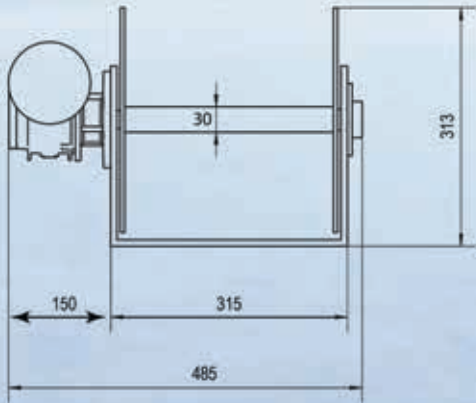
The Pro Series II 1500 series anchor winch is the most powerful in our range and is designed for commercial and large vessel installations of 8mtrs plus. The 1500 has a huge rope capacity of up to 200mtrs of 6mm double braid or 100mtrs of 8mm triple strand rope spliced to 10mtrs of 8mm short link chain making anchor in deep water a breeze and is powerful enough to haul up a 37lb plough anchor all day.

The Viper 1500 is also our fastest drum winch with a fall rate of 50mtrs per minute which is unmatched today. It also has a lifetime warranty against water intrusion and our famous 5 year Viper warranty.

If you take your boating seriously or have a commercial application that require the most advanced anchoring technology available today, then you can't go past the Viper Pro Series II 1500! Take the Viper challenge today and join the thousands of satisfied customers.

# DEPENDABLE, FAST & BUILT TO LAST!

### TECHNICAL SPECIFICATIONS



**50 Mtrs  
Per Minute  
Fall Rate!**

**5 YEAR WARRANTY  
LIFE TIME WARRANTY  
AGAINST WATER INTRUSION**

P/N 30003-6 VIPER PRO SERIES II 1500 WINCH BUNDLE 200M D/BRAID ROPE RRP \$2455.  
P/N 30003-8 VIPER PRO SERIES II 1500 WINCH BUNDLE 100M 3 STRAND ROPE RRP \$2295.

#### INCLUDED IN THE 1500 BUNDLE:

- VIPER PRO SERIES II 1500 ANCHOR WINCH - 30003
- SUPPLIED WITH 1 MTR 3 B&S POWER LEADS & JOINING CONNECTORS
- PRESSURE TESTED & SEALED
- 100MTRS OF 8MM 3 STRAND PREMIUM ROPE - 30026
- SPLICED TO 10 MTRS OF 8MM GALVANISED SHORT LINK ANCHOR CHAIN
- VIPER PRO SERIES ANCHOR SWIVEL LARGE - 30019
- VIPER DELUXE ANCHOR ROLLER LARGE - 30002
- 400AMP REVERSING SOLENOID - 30024
- LED ILLUMINATED MARINE ROCKER SWITCH - 90021
- VIPER LASER INSCRIBED LED ILLUMINATED SWITCH COVER - 90046
- 135 AMP FLUSH MOUNT CIRCUIT BREAKER WITH RUBBER SEAL - 30025
- SINGLE LED SWITCH STAINLESS STEEL FACE PLATE - 30051
- COMBO LED SWITCH & CIRCUIT BREAKER S/S FACE PLATE - 30052
- 5MM STAINLESS STEEL SANDWICH PLATE -
- ALL FIXING HARDWARE -
- INSTALLATION NOTES & WIRING DIAGRAM -



MAX FALL RATE: 50MTRS PER MINUTE  
MAX RETRIEVAL RATE: 46MTRS PER MINUTE  
SUIT VESSEL LENGTH: 8 MTRS +  
MAX LOAD: 360KGS  
WEIGHT: 28KGS

#### PACKAGING:

1500 DRUM & HOUSING	53 X 38 X 38CM	19KG
1500 WINCH MOTOR	50 X 23 X 22CM	12KG
ROPE AND CHAIN KIT	45 X 30 X 35CM	20KG

#### OPTION'S:

- 30003-A ALLOY FITMENT KIT FOR ALL ALUMINIUM BOAT INSTALLATIONS RRP \$ 39.
- 30027 - UPGRADE 200MTRS OF 6MM DBLE/BRAID ROPE SPLICED TO 10MTRS 8MM GAL CHAIN RRP \$160.
- 30037 - 12MTRS OF CHAIN SOCK TO SUIT 8MM SHORT LINK CHAIN RRP \$ 49.
- 30031 - LARGE HAWSE PIPE FOR TRICKY INSTALLATIONS RRP \$336.
- 30007 - DELUXE 3 ROLLER VIPER BOW ROLLER- SELF LAUNCHING - LARGE RRP \$539.
- 30060 - CUSTOM MADE MARINE WIRING LOOM FOR 1500 WINCH FOR BOATS UPTO 9MTRS RRP \$399.