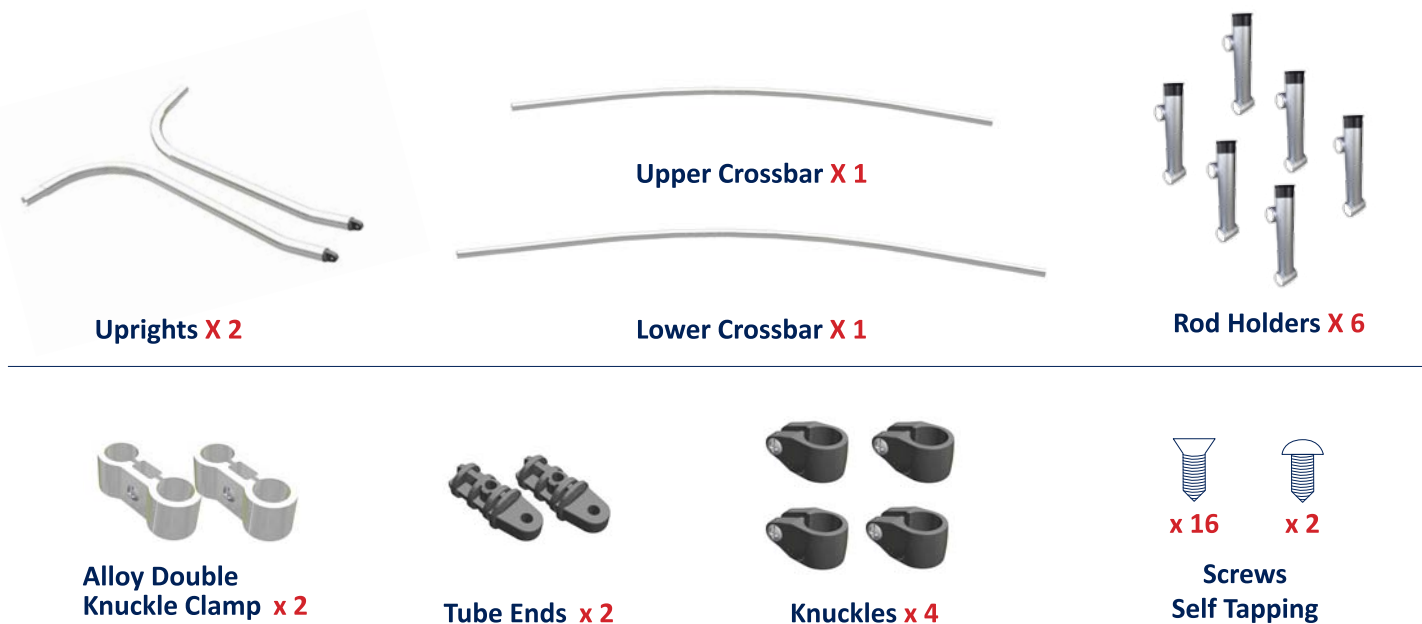


'CLAMP ON' ROCKET LAUNCHER INSTRUCTIONS

COMPONENTS (INCLUDED IN BOX)



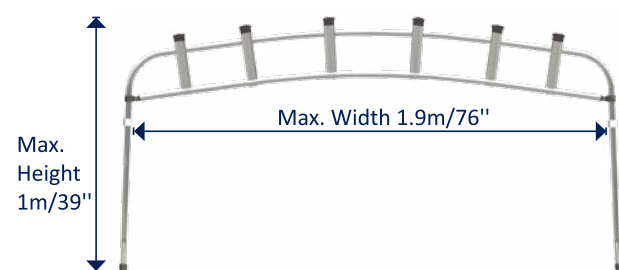
ASSEMBLY INSTRUCTIONS

1. TRIMMING

CONSTRUCTING THE ROCKET LAUNCHER.

The 'Clamp-on' Rocket Launcher is designed to suit biminis or canopies with a width of up to 1.9m.

A. Measure your biminis' canopy width from edge to edge, just under the fabric lining (as shown).

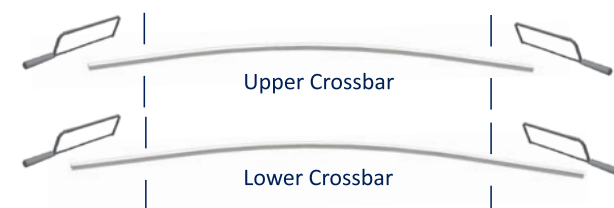


B. Choose your trim size from the table below according to your canopy width.

OCEANSOUTH WHITEWATER BIMINI (CANOPY WIDTH)		NON OCEANSOUTH BIMINIS & CANOPIES APPROXIMATE (CANOPY WIDTH)		RECOMMENDED TRIM FROM EACH END	
CODE	FITS WIDTH	FITS WIDTH	UPPER CROSSBAR	LOWER CROSSBAR	
MA 090-0	1.2m	1.2m	350mm	350mm	
MA 090-1	1.4m	1.4m	250mm	250mm	
MA 090-2	1.6m	1.6m	150mm	150mm	
MA 090-3	1.8m	1.8m	50mm	50mm	

Note: Trim measurements in table may also be used as a guide for Oceansouth 3 Bow and 4 Bow Biminis.

C. Trim upper and lower crossbars equally from each end.



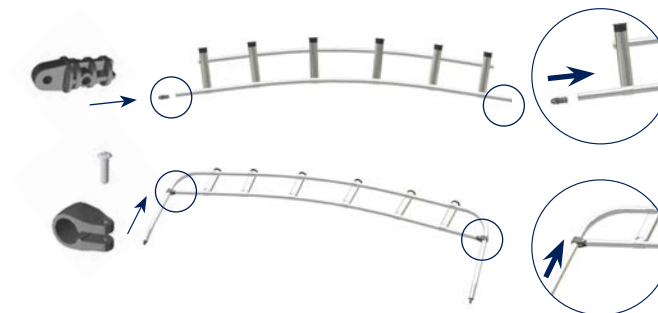
2. ASSEMBLY

A. Slide rod holders onto upper and lower Crossbars. Slide one at a time from each end, keeping Crossbars flat and parallel.

Make sure Rod Holders are spaced evenly along the Crossbars leaving equal distance from each end (as shown). **DO NOT SECURE AT THIS STAGE.**

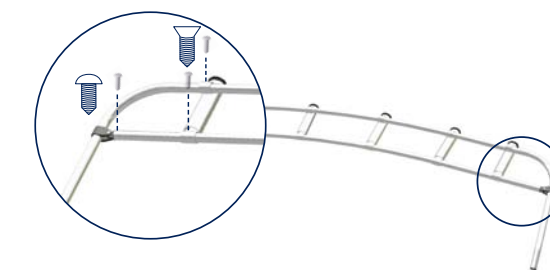


B. Insert the Tube Ends into Lower Crossbar. Insert the Upright into the Upper Crossbar. Slide Knuckle along Upright and secure Tube End into knuckle.



C. Using Self Tapping Screws (supplied), Drill and secure Tube Ends to Lower Crossbar using Drill and secure Rod Holders using

(Note: You may wish to cover the join on the upright with the upper crossbar using the rod holder sleeve).



3. ATTACHMENT



A. Open the Knuckle enough to wrap around the bimini upright. Connect to the assembled Rocket Launcher and screw in place. Repeat on opposite side.



B. Attach the Alloy Knuckle, clamping the Bimini and Rocket Launcher Frames together (as shown). Repeat on opposite side. Adjust to preferred height.

FITTING SUPPORT POLES (NOT SUPPLIED)



Attach Support Pole to Rocket Launcher. **Note:** Whitewater Bimini Tops are supplied with a support pole. You may use your Biminis existing Support Poles.



Ensure all Bimini and Rocket Launcher parts are secure and evenly positioned to complete your Rocket Launcher assembly.

Can be purchased separately from Oceansouth.
Code: MA 051-3 (Telescopic Support Poles)
MA 051-4 (Support Poles Fixed)