



- CE Certified
- ISO 8846 MARINE (Ignition Protection)

ELECTRIC TOILETS

TMC-29920 · TMC-29930

TMC-29921 · TMC-29932

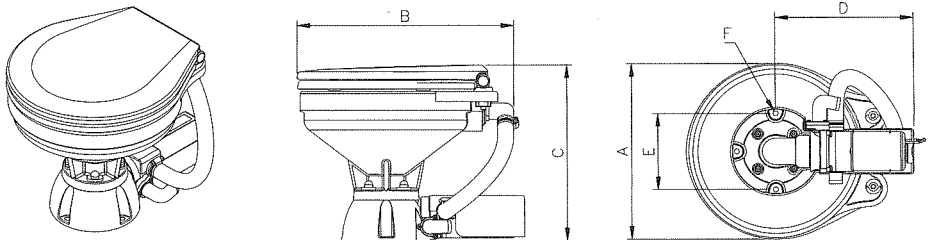
PRODUCT FEATURE

- Top quality vitreous china bowl.
- Solid plastic seat and cover with slow-close feature.
- Self-macerating combined, water in, water out pump.
- Convenient flush operation.
- Flush options - with switch box or flush panel.
- Supplied with 25 to 19 or 38mm adaptors for connecting options.

SPECIFICATION

CONSUMPTION		FUSE	MAX. HEAD	INLET HOSE	DISCHARGE HOSE
V	A	A	M(FT)	mm(in)	mm(in)
12	18	30	4(13)	25 (1")	25 (1")
24	9	15			

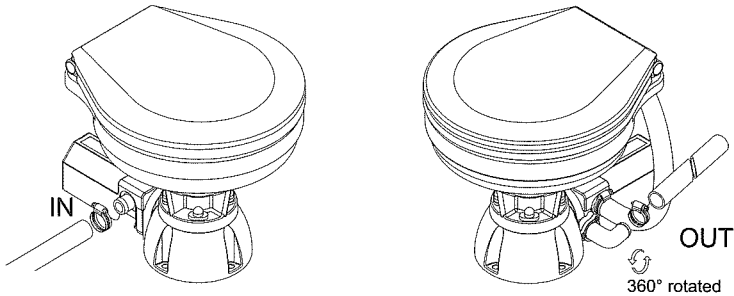
DIMENSIONS



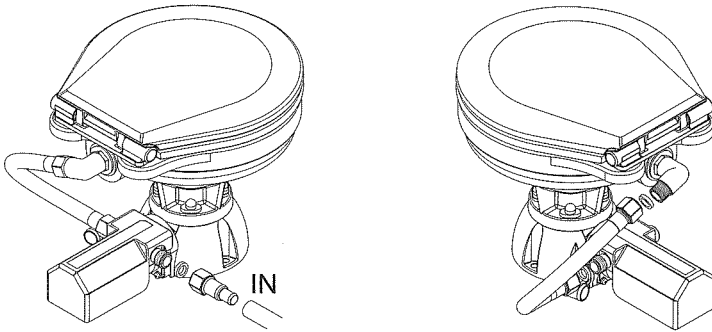
MODEL NO.	A	B	C	D	E	F
	mm(in)	mm(in)	mm(in)	mm(in)	mm(in)	mm(in)
TMC-29920 TMC-29930 (size 99902)	360(14.2)	445(17.5)	352(13.9)	269(10.6)	150(5.9)	10(0.39)
TMC-29921 TMC-29932 (size 99904)	365(14.4)	484(19)	376(14.8)	283(11.1)	150(5.9)	10(0.39)

INSTALLATION

- TMC marine toilets can be installed above or below the waterline.
- Inlet and outlet seacock should be easily accessible and be positive shut off valves. If seacock not be conveniently operated from toilet location, install suitable shut off valves for inlet and discharge connections.
- Surface where toilet is mound should be flat to prevent distortion of toilet base.
- Use M8 screws to install through 3 base holes (dia.10mm).
- User may rotate it to the desired position by loosening the 3 screws on the flange.
- Outlet port can be rotated 360°, user may rotate it to the desired position then fasten it by the screws.
- Fasten all pipe connections with clamps.
- Adaptors of 19mm(3/4") & 38mm(1-1/2") are provided for connecting options.

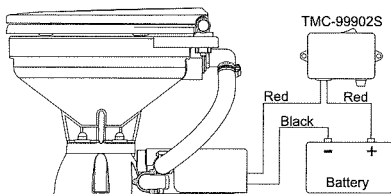


▼ INLET CONNECTION FOR TMC 29930 & 29932

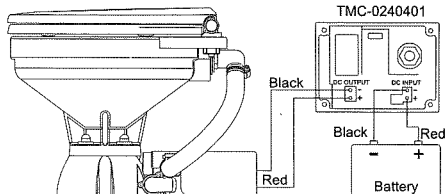


WIRING DIAGRAM

- With TMC-99902S Switch Box



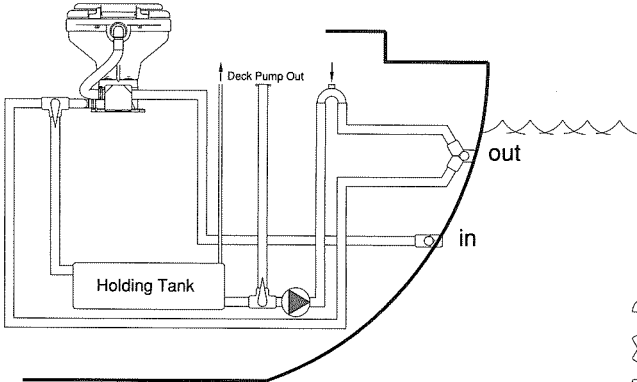
- With TMC-0240401 Flush Panel



PLUMBING CONNECTIONS

- TMC marine toilets may be installed above or below the waterline.
- Connect inlet hose using 25mm(1") ID hose. Make sure all inlet connections are airtight and free of sharp bends or restrictions.
- Connect 25mm(1") hose to discharge port and make suitable connection to holding tank or other discharge system. Avoid sharp bends or restrictions.
- For above waterline installations, a check valve (optional) may have to be installed in the flush water intake line to ensure rapid pump priming. To retain water in bowl, make a loop in the discharge line about 20 cm (8 inches) above base of bowl.
- Do not connect inlet hose to a pressurized water system.
- If the toilet is, or can be, below waterline at any normal (including static) attitude of vessel heel and / or trim, a 1" vented loop fitting must be installed in the inlet pipe work. The vented loop fitting must be positioned so it always remains above the waterline at all angles of heel and trim.
- Vented loops installed below water line are required to prevent backflow of the waste.
- The waste can be stored in the holding tank first then discharged to pump out station at the port.

Fig. 1 above waterline




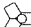



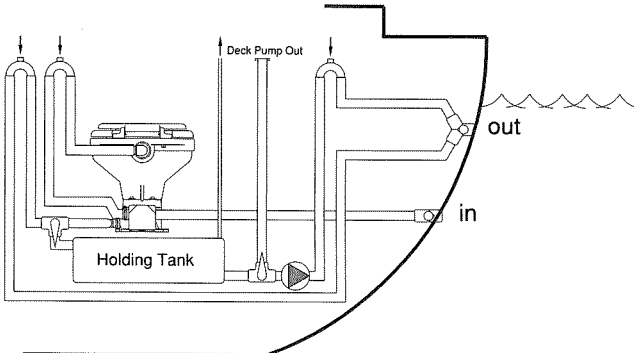
-  Vented Loop
-  Y Check Valve
-  Check Valve
-  Y Valve
-  Macerator or Waste Pump

Fig. 2 below waterline



VENTED LOOPS

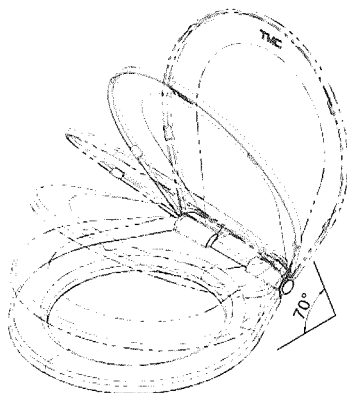
- 25mm(1") for waste outlet discharge.
- 25mm(1") for macerator toilet discharge.
- 38mm(1-1/2") for waste pump discharge.
- 25mm(1") for water inlet discharge.
- Vented loops are required for below waterline installations and hose connections must be double clamped.
- Top of the loop must be above waterline.
- Intake vented loops must be installed between pump and back of the bowl.
- Discharge vented loops must be installed between the discharge of toilet and sea-cock.
- Do not position the vented loops between the in-let sea-cock and the flushing pump inlet. It will make the flushing pump difficult or harder to prime, and could prevent it from working at all.

CAUTIONS

- Always close sea-cocks when leaving boat unattended.
- Always close sea-cocks when toilet is not in use.
- Failure to do so may result in flooding which can cause loss of property and life.
- Do Not apply flame or heat to hoses.
- Do Not apply sealing compounds to any hose connection.
- Do Not use thick liquid toilet cleansers or neat bleach because they may damage the valves, gaskets and seals.
- If the toilet is plumbed to the vessels portable water supply you must install an anti-syphon breaker valve on the toilet inlet pipework to prevent water supply contamination.
- Do Not dismantle the product without the help of authorized technician. For any questions, please contact with your original seller or dealer.
- Correct motor polarity (Red to positive (+), Black to negative (-)) is important. Reverse polarity can damage motor and void warranty. Full voltage at the motor is required to properly operate the Electric Toilet. The toilet must be wired in a circuit independent of all other accessories.
- The toilet bowl body is made of vitreous china and it's fragile.
- Do Not drop the product from high place or with heavy force.
- Please handle the product with care.

SLOW-CLOSE FEATURE

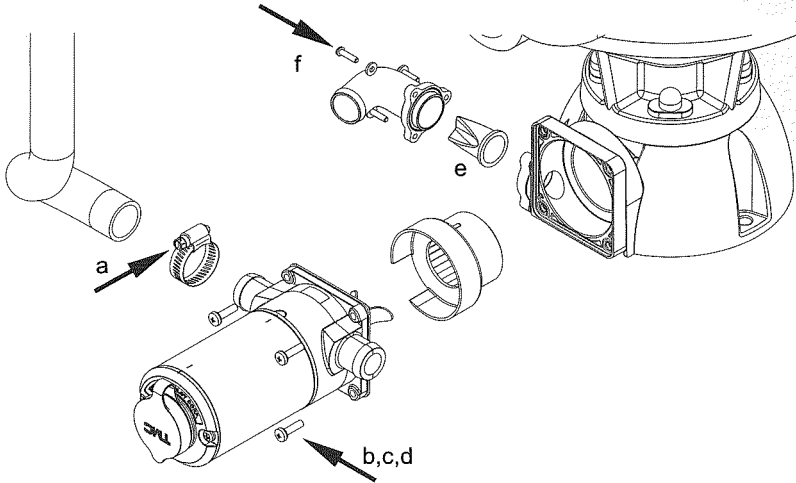
- For TMC 29920, 29921, 29930 & 29932
- Designed to prevent annoying slam or sudden drop of the seat
- Seat & cover can be slow closed individually.
- Slow-close feature will be activated when the seat & cover is bent over 70 degrees.



TROUBLE SHOOTING

1. Waste can not be pumped out due to clogging problem

- a. Disconnect the pumping inlet and discharge hoses.
- b. Remove four screws.
- c. Pull out complete motor, pump and macerator assembly from base. Clean out the clogging materials.
- d. After cleaning, follow the indicated direction and reassemble the pump unit back.
- e. Install the non-return valve back in position.
- f. Outlet port can be rotated 360°. User may rotate it to the desired position then fasten it by the screws.



2. Impeller may get stuck inside pump body if the electric pump is idled for a period of time.

- Follow the indicated direction to rotate the impeller from outside to prevent the electric pump from damage of instant high current in starting operation.
- Or put some water in bowl to stay for awhile to wet the pump before initial use.

